

US00D708388S

(12) **United States Design Patent**
Lee

(10) **Patent No.:** **US D708,388 S**
(45) **Date of Patent:** **** Jul. 1, 2014**

- (54) **CURVED LIGHT FIXTURE**
- (71) Applicant: **HeathCo, LLC**, Bowling Green, KY (US)
- (72) Inventor: **Jonathan Arnold Lee**, LaGrange, IL (US)
- (73) Assignee: **HeathCo, LLC**, Bowling Green, KY (US)
- (**) Term: **14 Years**
- (21) Appl. No.: **29/475,016**
- (22) Filed: **Nov. 27, 2013**
- (51) **LOC (10) Cl.** **26-99**
- (52) **U.S. Cl.**
USPC **D26/120**
- (58) **Field of Classification Search**
USPC D26/63, 120, 118, 113, 119, 121, 122, D26/123, 65, 66, 68, 124, 125, 72, 76, 1, 2, D26/128, 69, 74, 88, 89, 87, 61, 92, 98, 93, D26/86; 362/158, 240, 260, 235, 249.02, 362/249.11, 294, 364, 335; D13/179, 180
See application file for complete search history.

D591,444 S *	4/2009	Beno et al.	D26/88
D598,156 S *	8/2009	Xiao et al.	D26/69
D599,049 S *	8/2009	Guercio	D26/69
7,714,243 B2 *	5/2010	Birdwell	200/341
D621,986 S *	8/2010	Yan	D26/69
D622,886 S *	8/2010	Zheng et al.	D26/69
D636,515 S *	4/2011	Wang	D26/63
D647,236 S *	10/2011	Chang	D26/70
D656,267 S *	3/2012	Laporte	D26/120
D656,502 S *	3/2012	Cacioppo et al.	D14/453
D670,022 S *	10/2012	Green	D26/128
D670,023 S *	10/2012	Green	D26/128
D688,403 S *	8/2013	Landefeld	D26/69

* cited by examiner

Primary Examiner — Kevin Rudzinski

(74) *Attorney, Agent, or Firm* — Fitch Even Tabin & Flannery LLP

(57) **CLAIM**

I claim the ornamental design for a curved light fixture, as shown and described.

DESCRIPTION

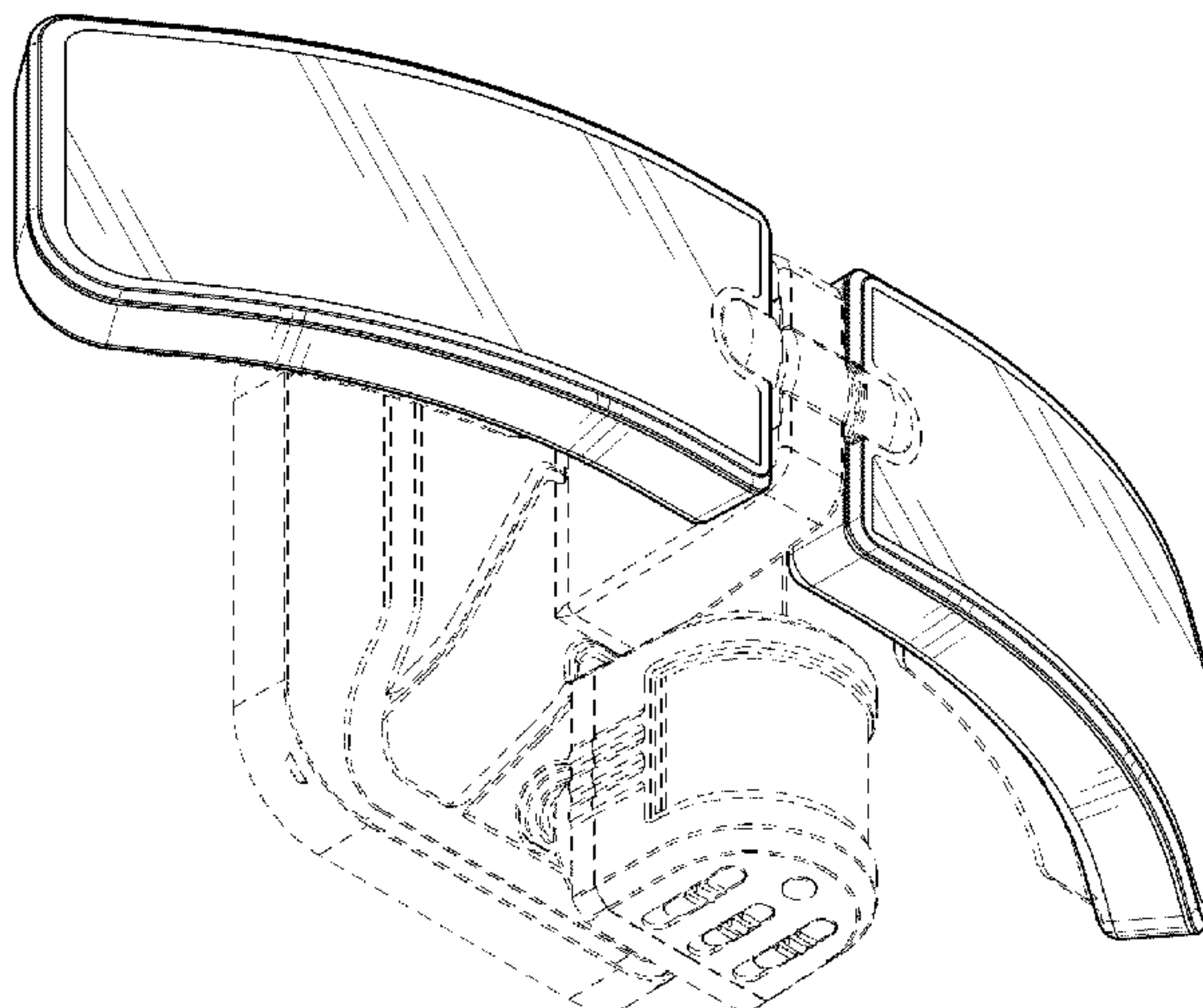
FIG. 1 is a bottom perspective view of my new design comprising a curved light fixture;
 FIG. 2 is a rear perspective view of the curved light fixture of FIG. 1;
 FIG. 3 is a front view of the curved light fixture of FIG. 1;
 FIG. 4 is a rear view of the curved light fixture of FIG. 1;
 FIG. 5 is a left side view of the curved light fixture of FIG. 1;
 FIG. 6 is a right side view of the curved light fixture of FIG. 1;
 FIG. 7 is a top view of the curved light fixture of FIG. 1; and,
 FIG. 8 is a bottom view of the curved light fixture of FIG. 1.
 The broken lines shown in the drawings illustrate portions of the light fixture and form no part of the claimed design.

1 Claim, 4 Drawing Sheets

(56) **References Cited**

U.S. PATENT DOCUMENTS

D269,210 S *	5/1983	Cutlip et al.	D26/28
D336,756 S *	6/1993	Meisner et al.	D26/65
D385,370 S *	10/1997	Moore	D26/28
D386,801 S *	11/1997	Orgovan	D26/31
D386,802 S *	11/1997	Kim	D26/51
D488,105 S *	4/2004	Stahel et al.	D12/114
D499,823 S *	12/2004	Reiss et al.	D26/28
D565,786 S *	4/2008	Willmorth et al.	D26/138
7,448,779 B2 *	11/2008	Coushaine	362/427



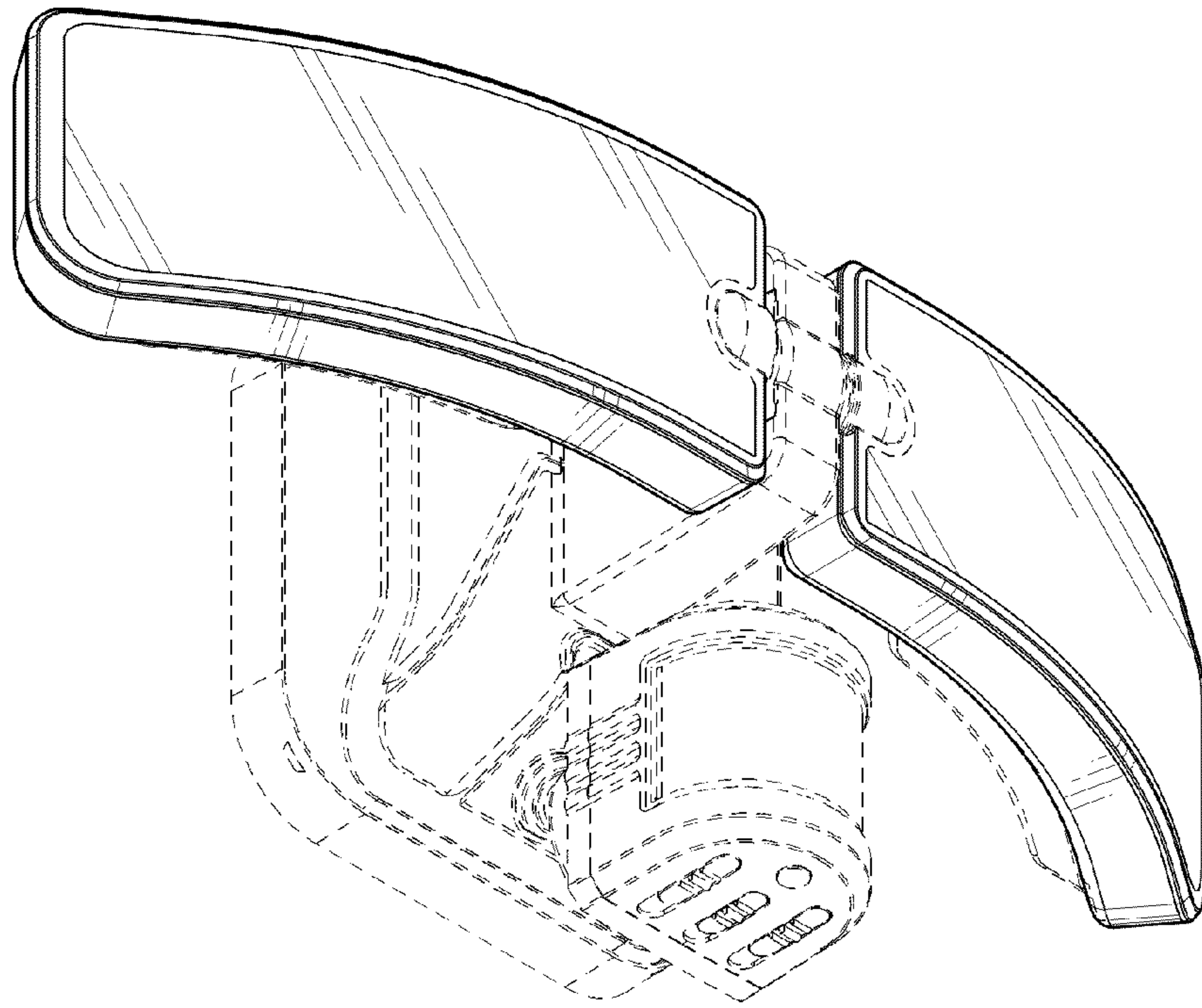


FIG. 1

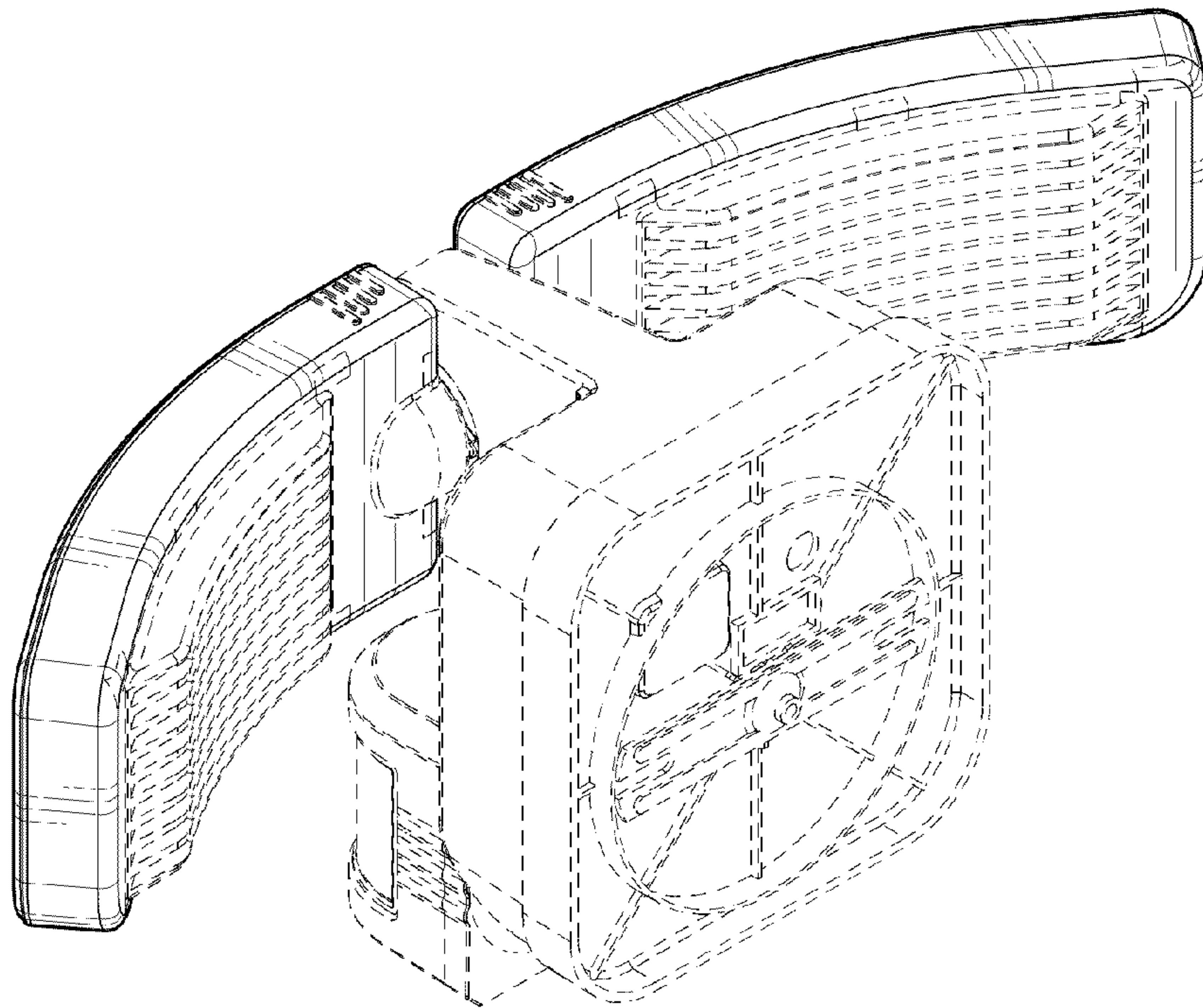


FIG. 2

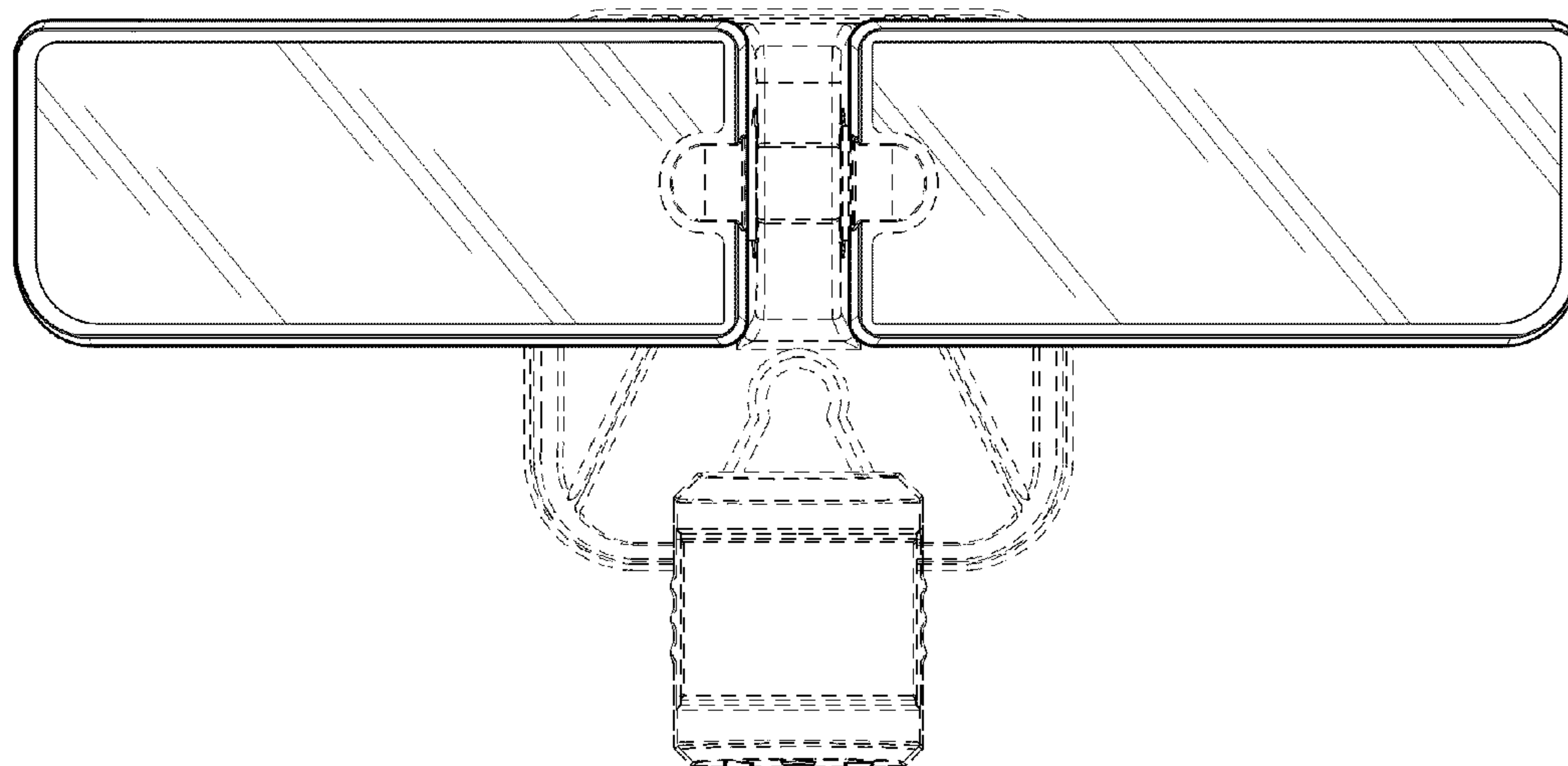


FIG. 3

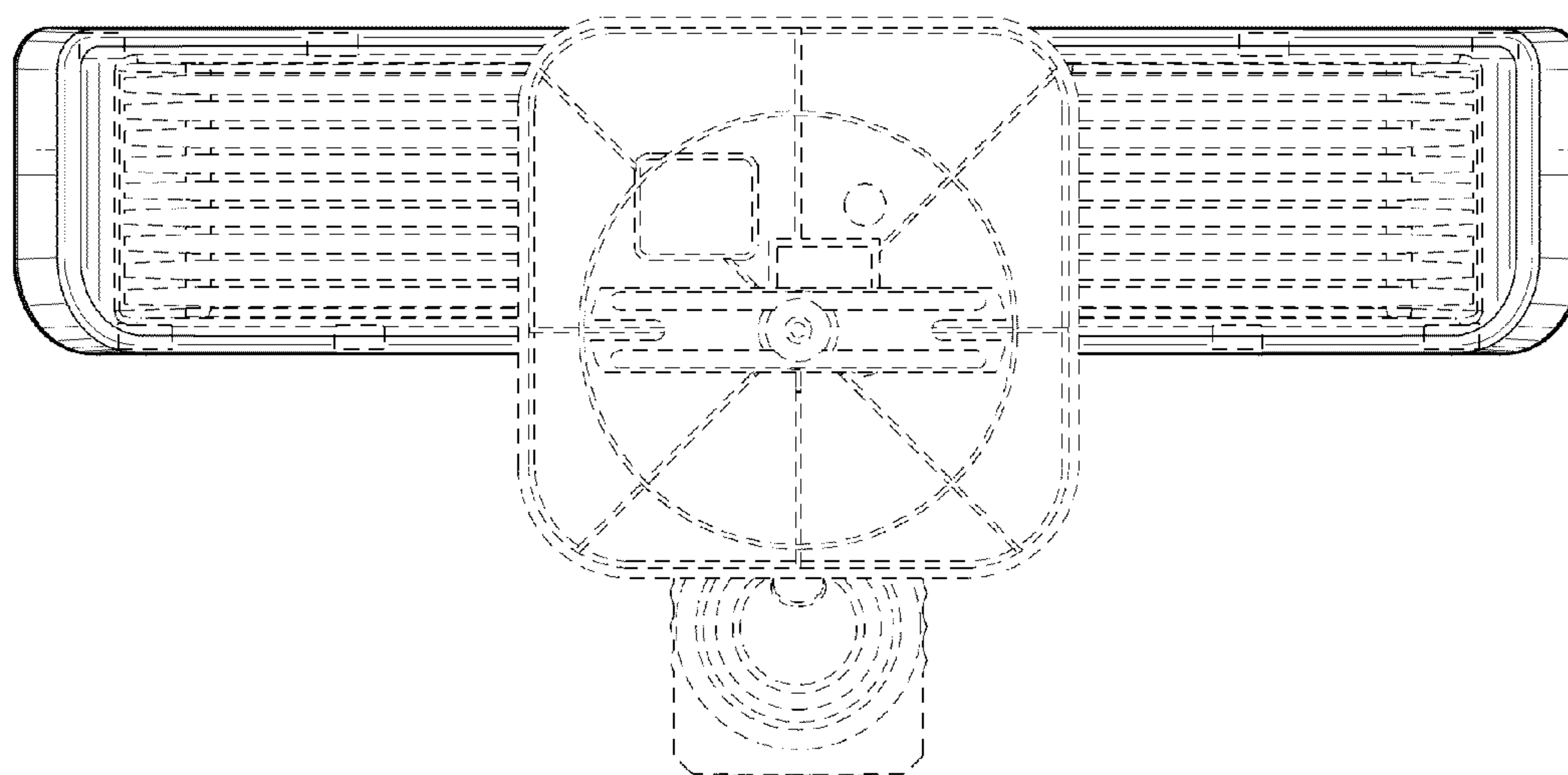


FIG. 4

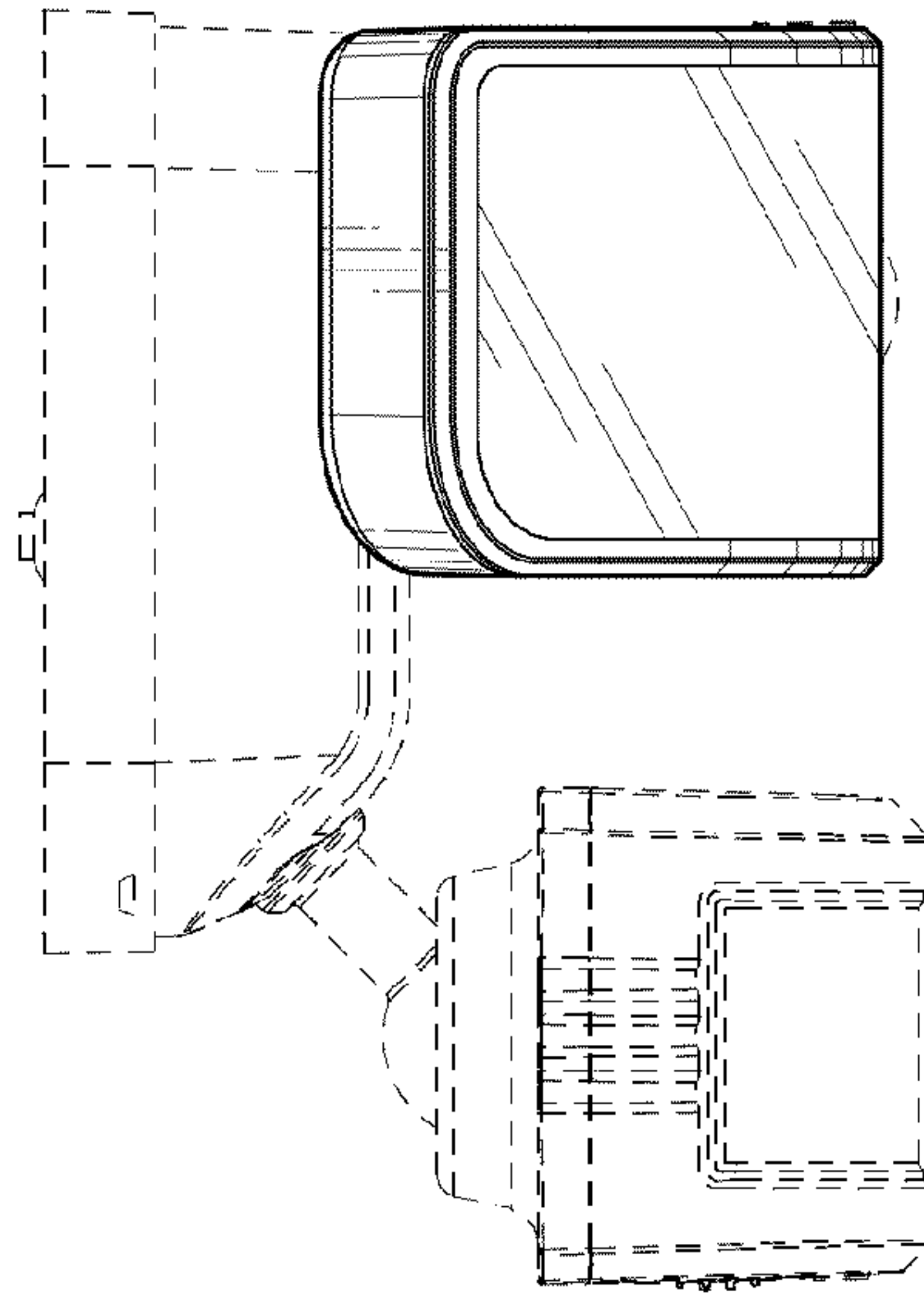


FIG. 5

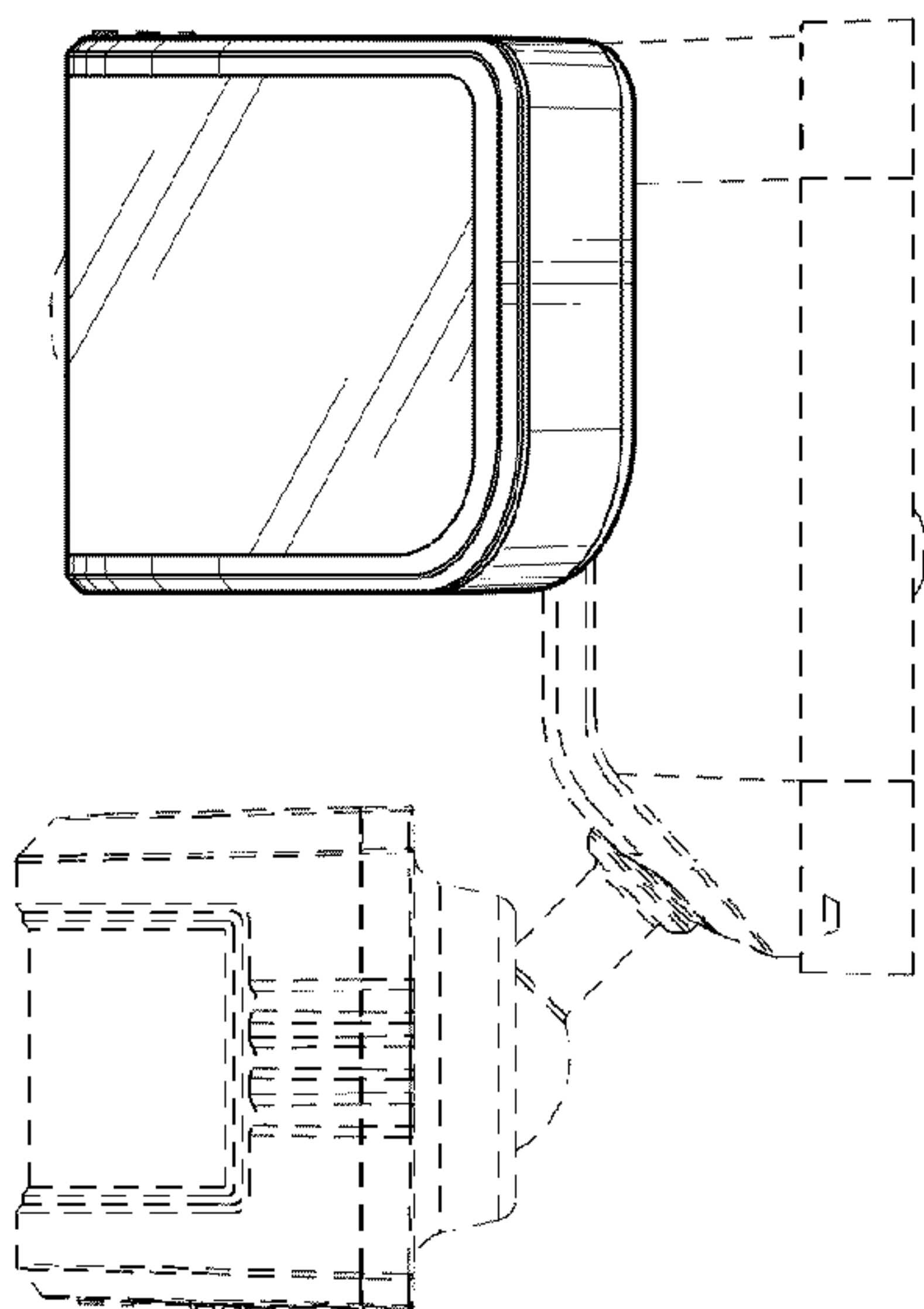


FIG. 6

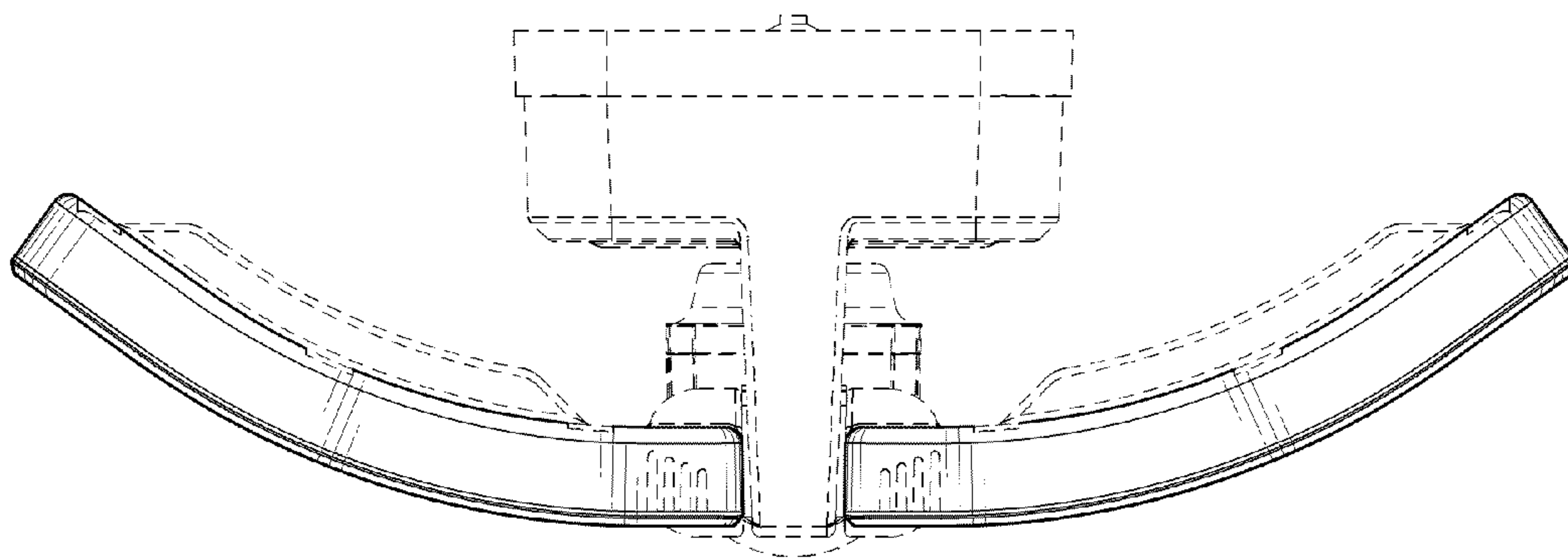


FIG. 7

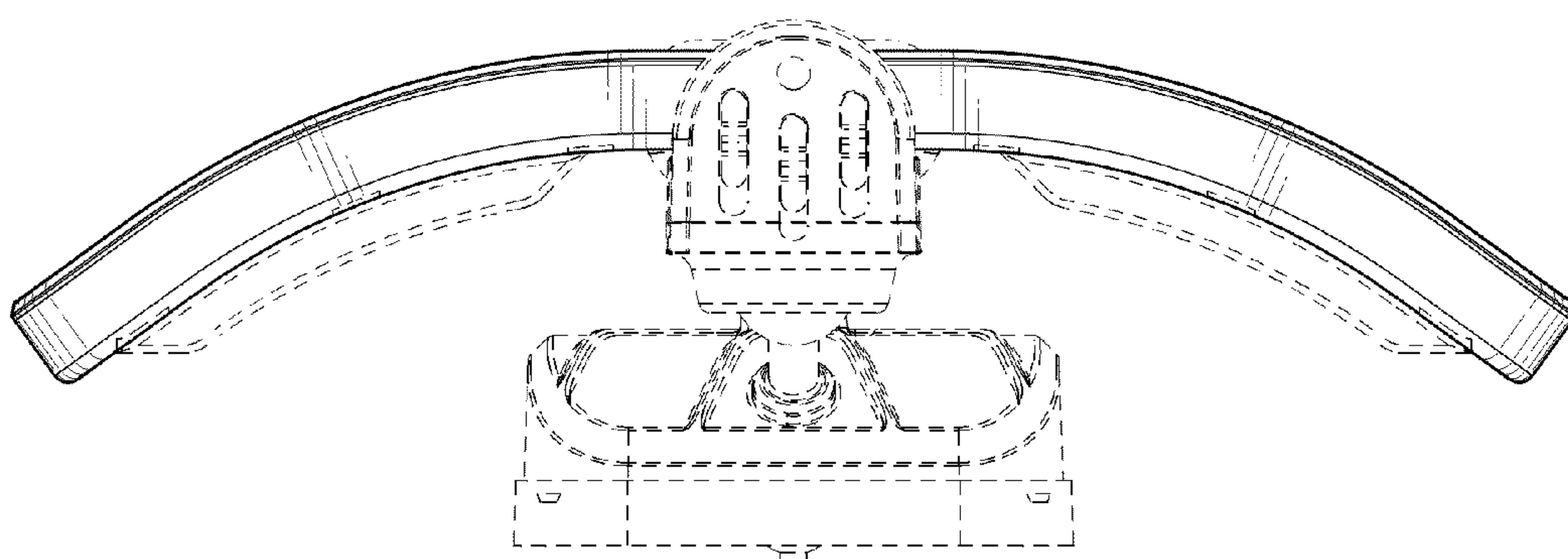


FIG. 8