



US00D598723S

(12) **United States Design Patent**  
**Cheng**

(10) **Patent No.:** **US D598,723 S**

(45) **Date of Patent:** **\*\* Aug. 25, 2009**

(54) **ARMORER WRENCH**

(76) Inventor: **Carson Cheng**, 10302 Olney St., El Monte, CA (US) 91731

(\*\*) Term: **14 Years**

(21) Appl. No.: **29/330,624**

(22) Filed: **Jan. 9, 2009**

(51) **LOC (9) Cl.** ..... **08-05**

(52) **U.S. Cl.** ..... **D8/17**

(58) **Field of Classification Search** ..... D8/17,  
D8/21-29; 81/60, 177.1, 177.85, 121.1,  
81/124.3, 165-170, 110.1, 176.2, 124.6,  
81/176.1, 176.15, 177.2; 16/110.1; D15/144.1;  
219/75, 227, 229, 121.16, 121.18  
See application file for complete search history.

(56) **References Cited**

**U.S. PATENT DOCUMENTS**

D104,869	S	*	6/1937	McNaught	.....	D8/17
5,247,715	A	*	9/1993	Nishiguchi	.....	7/138
D445,655	S	*	7/2001	Maddox	.....	D8/17
D456,226	S	*	4/2002	Doshay	.....	D8/26
D464,239	S	*	10/2002	Hamlin	.....	D8/27
D467,777	S	*	12/2002	Van Horn et al.	.....	D8/27
D473,436	S	*	4/2003	Pilatzke et al.	.....	D8/28

6,637,299	B1	*	10/2003	Steele	.....	81/124.5
D548,552	S	*	8/2007	Elkaim	.....	D8/17
D564,316	S	*	3/2008	Elkaim	.....	D8/17

\* cited by examiner

*Primary Examiner*—Raphael Barkai

*Assistant Examiner*—Randall H Gholson

(74) *Attorney, Agent, or Firm*—Intellectual Property Law Group LLP; Juneko Jackson; Otto O. Lee

(57) **CLAIM**

The ornamental design for an armorer wrench, as shown and described.

**DESCRIPTION**

FIG. 1 is a top perspective view of an armorer wrench embodying my new design;

FIG. 2 is a bottom perspective view thereof;

FIG. 3 is a right side elevational view thereof;

FIG. 4 is a left side elevational view thereof;

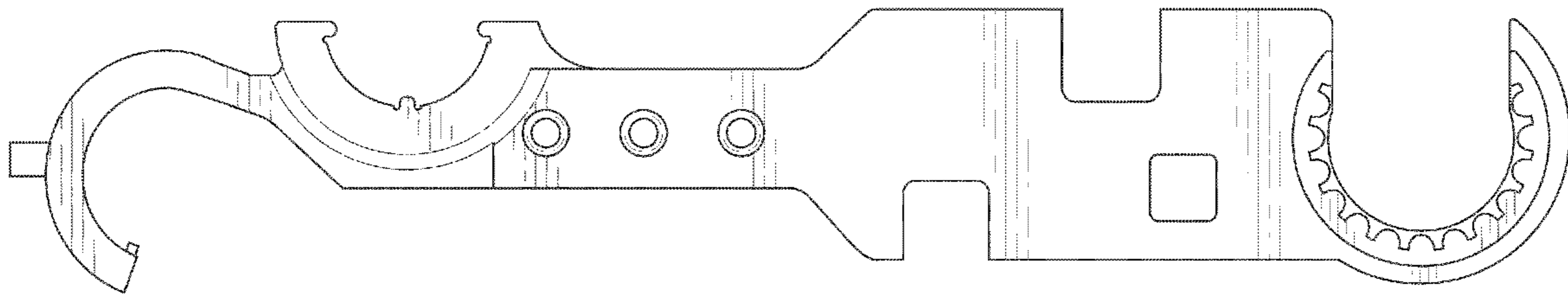
FIG. 5 is a front view thereof;

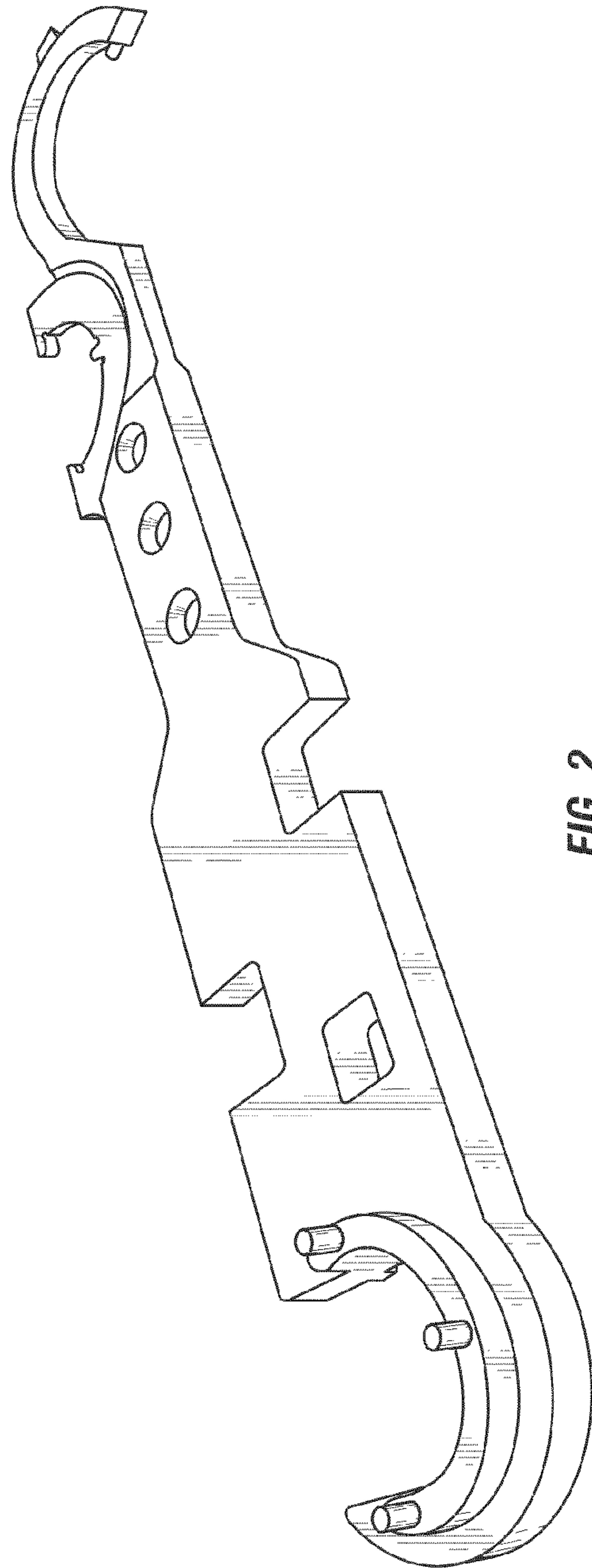
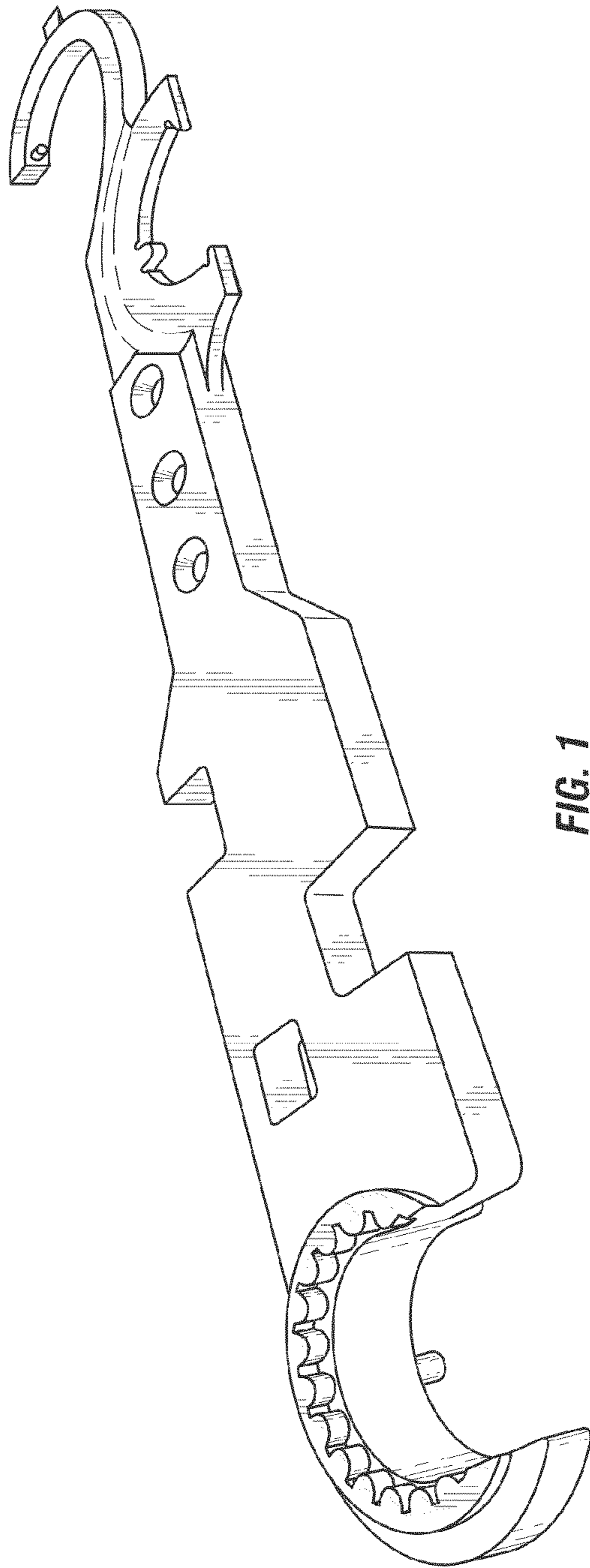
FIG. 6 is a rear view thereof;

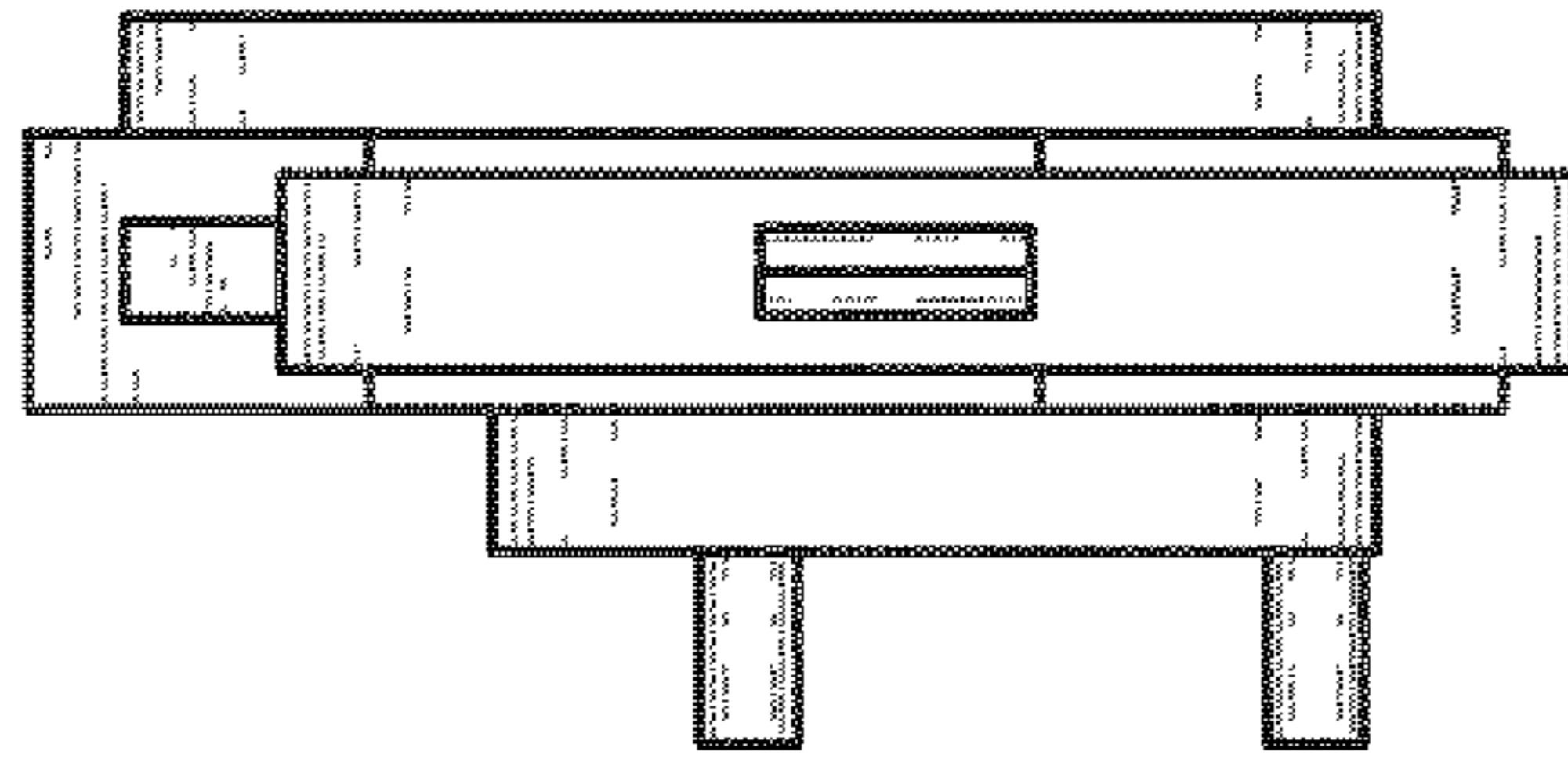
FIG. 7 is a top plan view thereof; and,

FIG. 8 is a bottom plan view thereof.

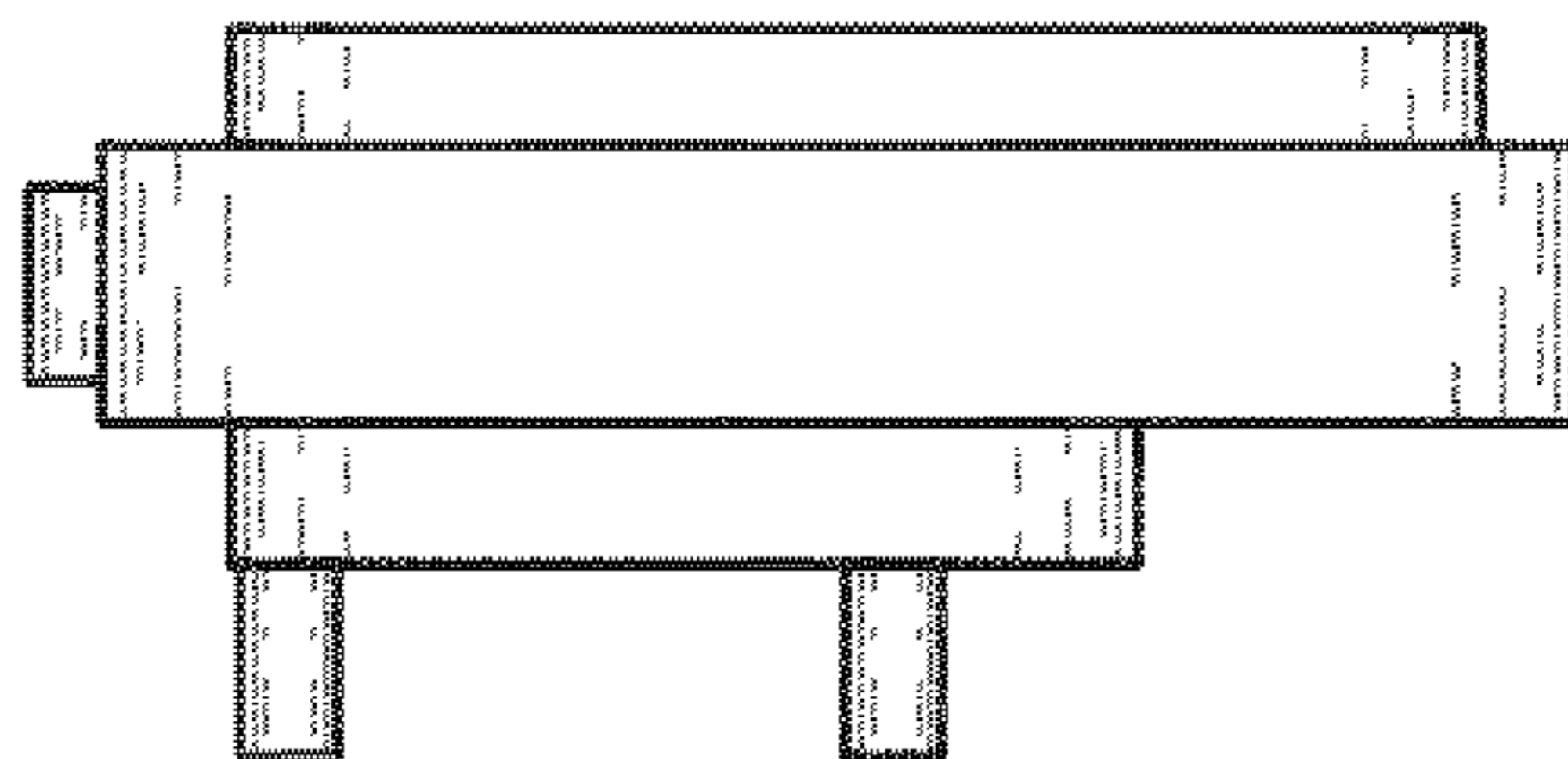
**1 Claim, 4 Drawing Sheets**







**FIG. 3**



**FIG. 4**

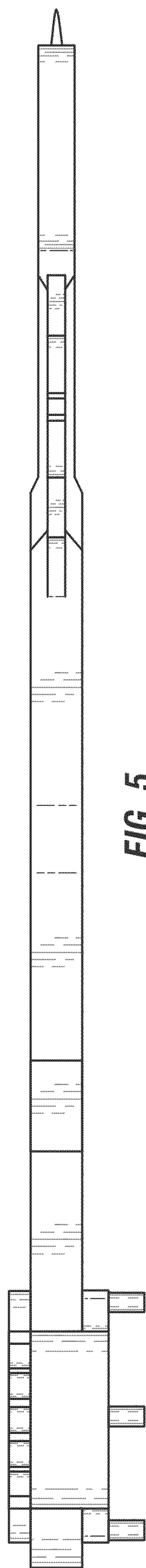


FIG. 5

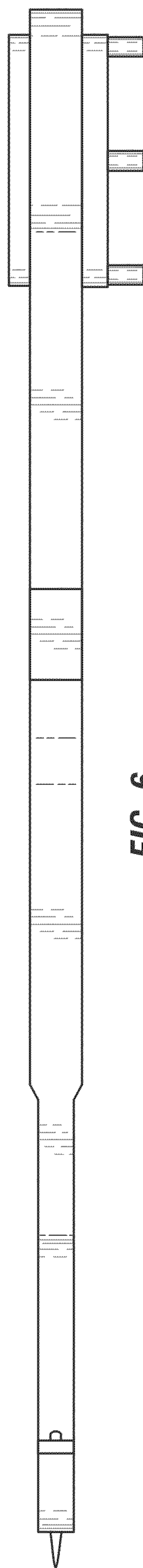


FIG. 6

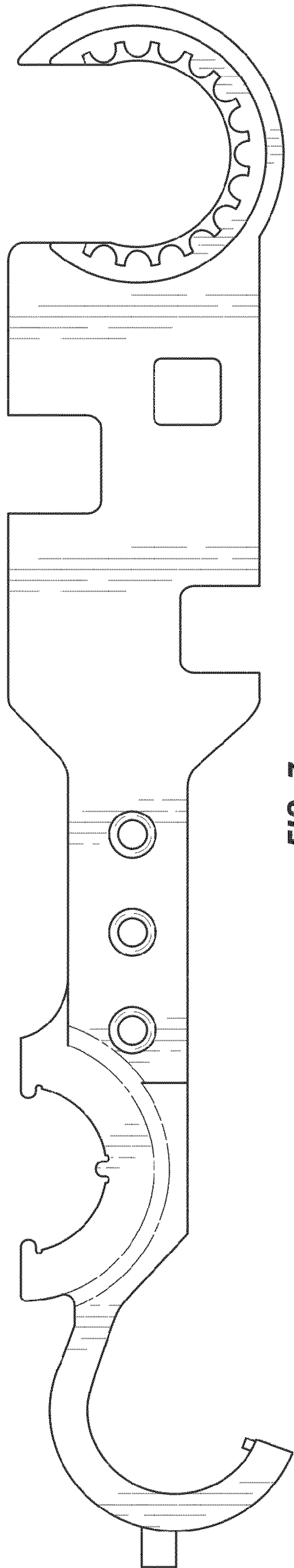


FIG. 7

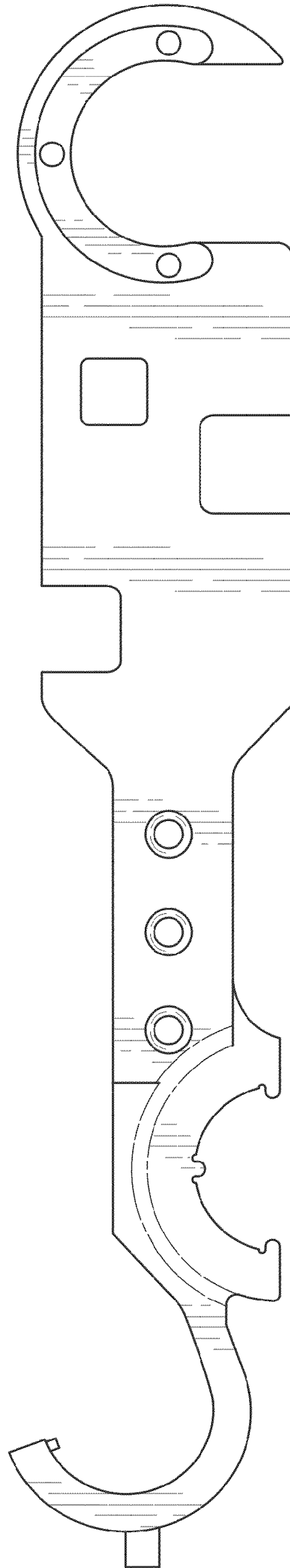


FIG. 8