



US00D864607S

(12) **United States Design Patent** (10) **Patent No.:** **US D864,607 S**
Chen (45) **Date of Patent:** **** Oct. 29, 2019**

(54) **TOILET PAPER HOLDER** D266,718 S * 11/1982 Peabody D6/519
D356,281 S * 3/1995 Lee D11/131
(71) Applicant: **SHUANGMA PLASTIC** 6,003,392 A * 12/1999 Lee G09F 19/02
MANUFACTURING INC., Linhai, 40/406
Zhejiang Province (CN) 6,446,927 B1 * 9/2002 Nuss A47K 10/38
211/16
(72) Inventor: **Cui-Hong Chen**, Taizhou (CN) D529,320 S * 10/2006 Corral D6/518
D551,478 S * 9/2007 Dretzka D6/522
D578,329 S * 10/2008 Wells D6/518
(73) Assignee: **SHUANGMA PLASTIC** D578,813 S * 10/2008 Goodman D6/522
MANUFACTURING INC., Linhai, D739,158 S * 9/2015 Pan D6/518
Zhejiang Province (CN) D808,296 S * 1/2018 Hendifar D11/131
2015/0284206 A1 * 10/2015 Michelena B65H 16/005
242/596.3

(**) Term: **15 Years**

* cited by examiner

(21) Appl. No.: **29/641,859**

Primary Examiner — David G Muller

(22) Filed: **Mar. 26, 2018**

Assistant Examiner — Nathan M Johnston

(30) **Foreign Application Priority Data**

(74) *Attorney, Agent, or Firm* — Locke Lord LLP; Tim Tingkang Xia, Esq.

Dec. 13, 2017 (CN) 2017 3 0634824

(51) **LOC (12) Cl.** **23-02**

(57) **CLAIM**

(52) **U.S. Cl.**
USPC **D6/523**

The ornamental design for a toilet paper holder, as shown and described.

(58) **Field of Classification Search**

DESCRIPTION

USPC D6/523, 546–550, 518–522; D8/300,
D8/303, 315, 321; 16/110.1, 412, 415;
108/28–29; 211/13.1, 16, 60.1, 100,
211/86.01, 87.01, 88.1, 88.4, 105.1,
211/105.2, 123, 182, 181.1; 242/570,
242/290, 595–598; 248/175, 176.1, 251,
248/302, 309.1
CPC A45F 2005/025; A45F 2005/027; A47K
2010/3253; A47K 10/22; A47K 10/3836;
A47K 10/16; A47K 10/3818; A47K
2010/3233; B60R 7/084

FIG. 1 is a perspective view of a toilet paper holder according to my new design;
FIG. 2 is a front elevation view thereof
FIG. 3 is a rear elevation view thereof;
FIG. 4 is a left side elevation view thereof;
FIG. 5 is a right side elevation view thereof;
FIG. 6 is a top plan view thereof; and,
FIG. 7 is a bottom plan view thereof.

See application file for complete search history.

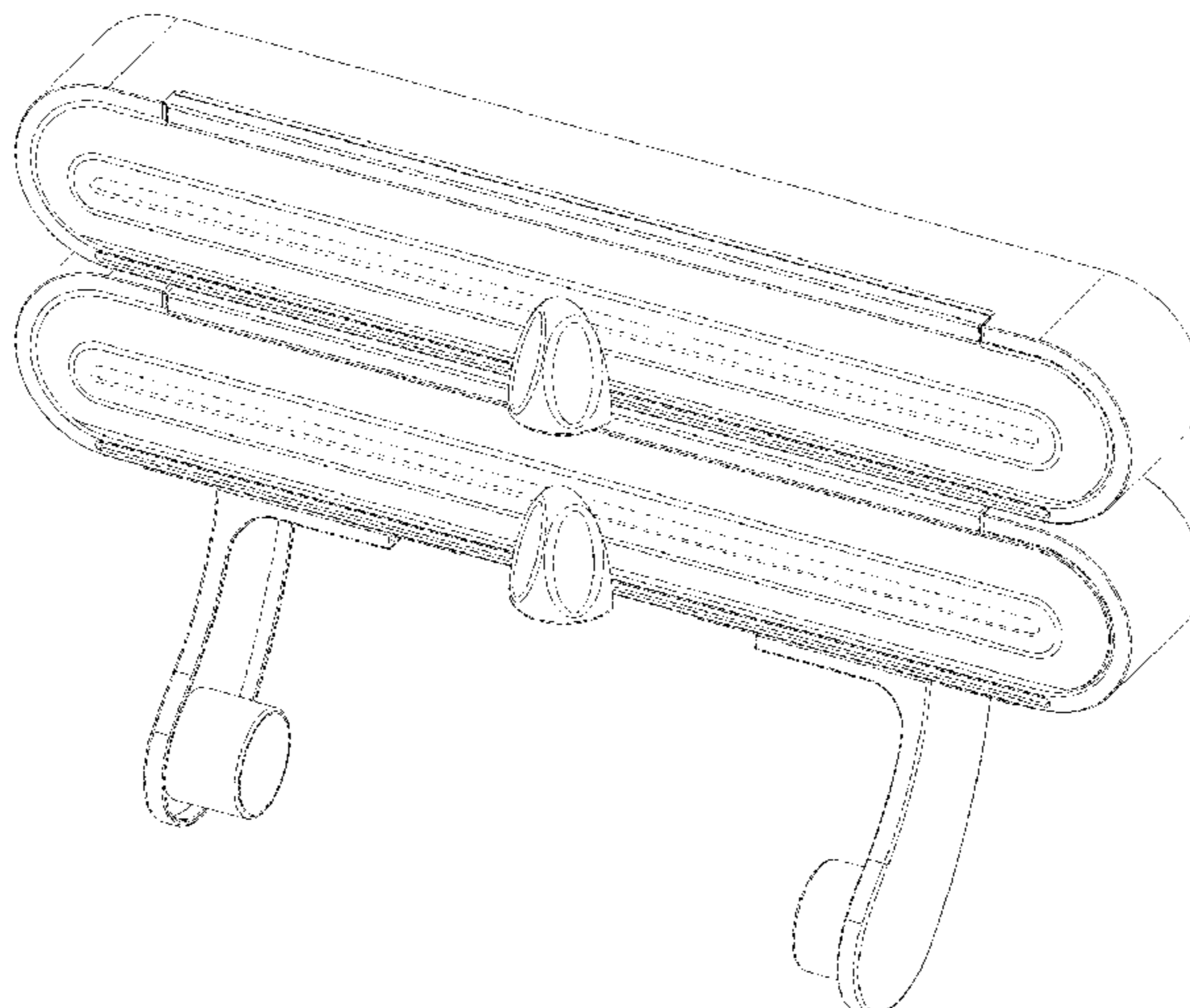
The dashed lines immediately adjacent to the shaded areas in the figures represent the boundaries of the claimed design. The dashed lines in the figures illustrate the portions of the design that form no part of the claimed design. None of the broken lines form any part of the claimed design.

(56) **References Cited**

U.S. PATENT DOCUMENTS

1 Claim, 7 Drawing Sheets

D199,843 S * 12/1964 Bodenbach D19/114
D264,406 S * 5/1982 Arnott D6/522



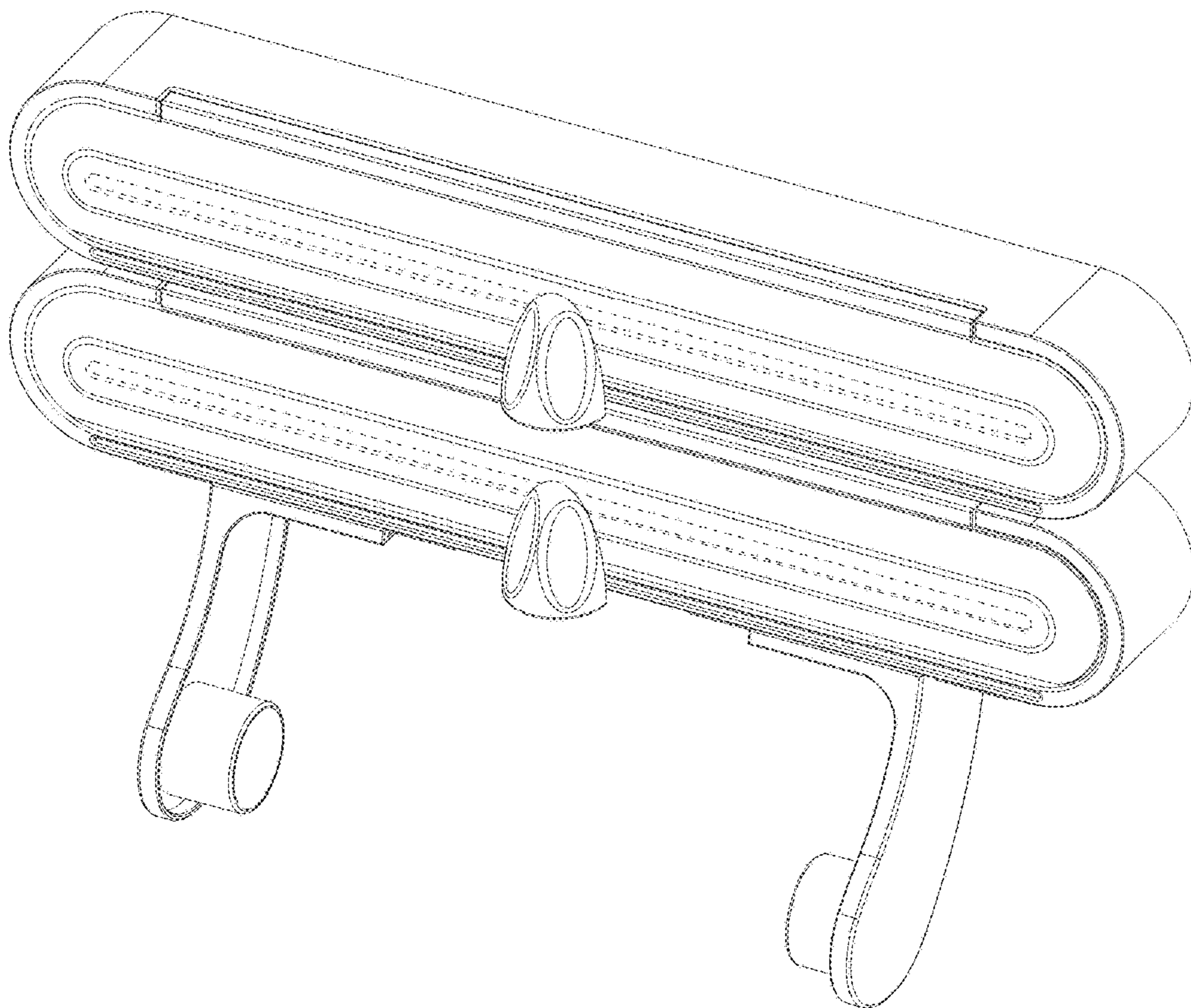


FIG. 1

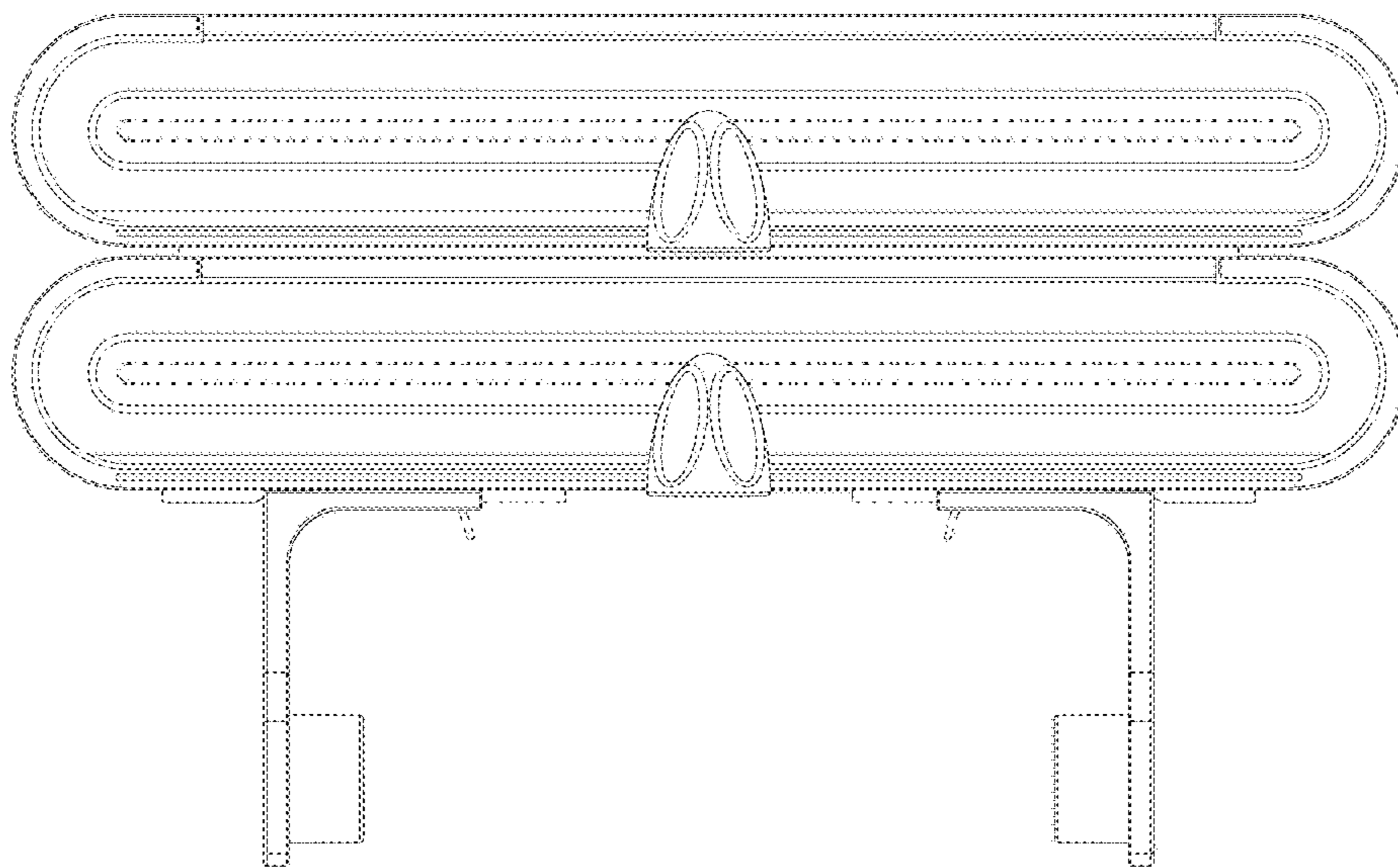


FIG. 2

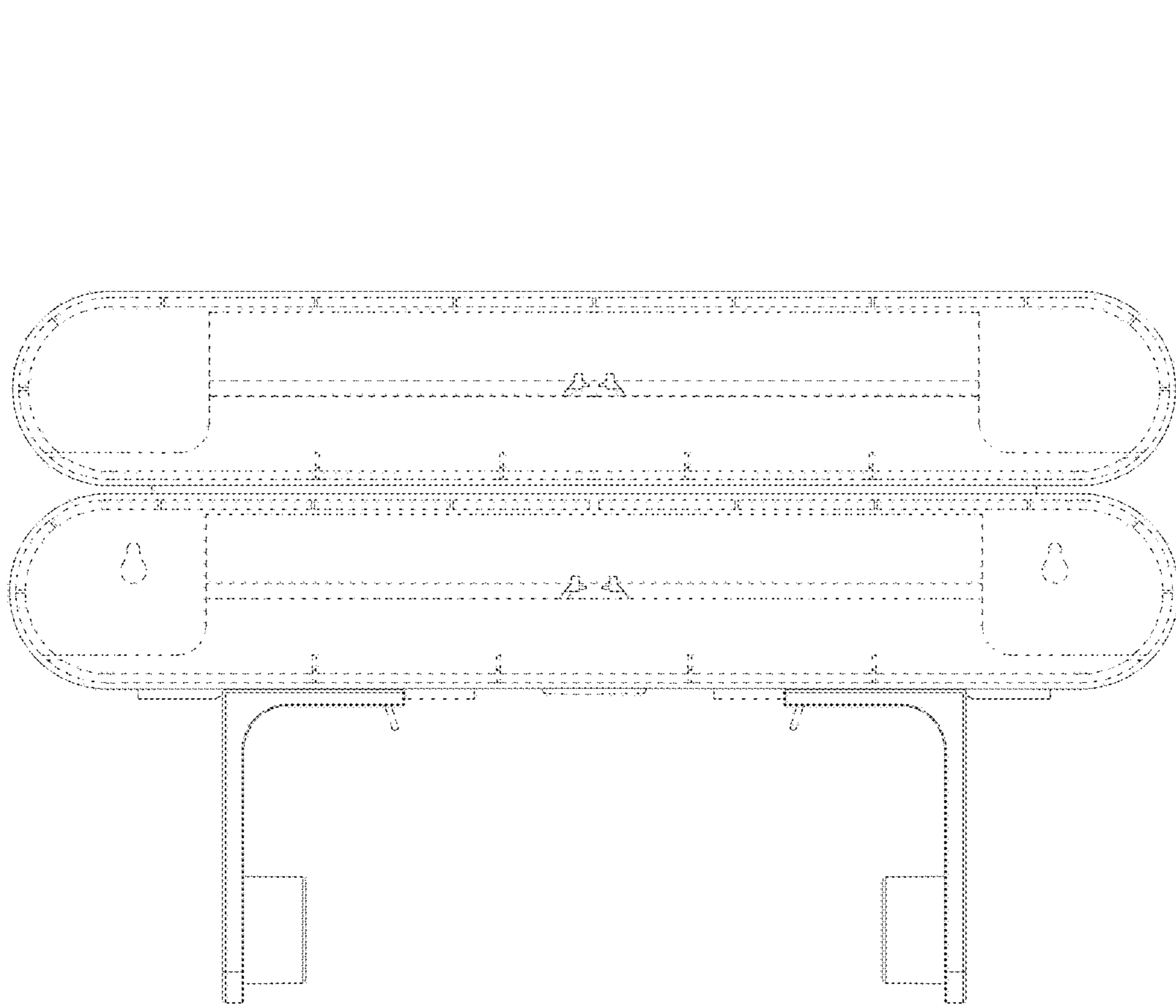


FIG. 3

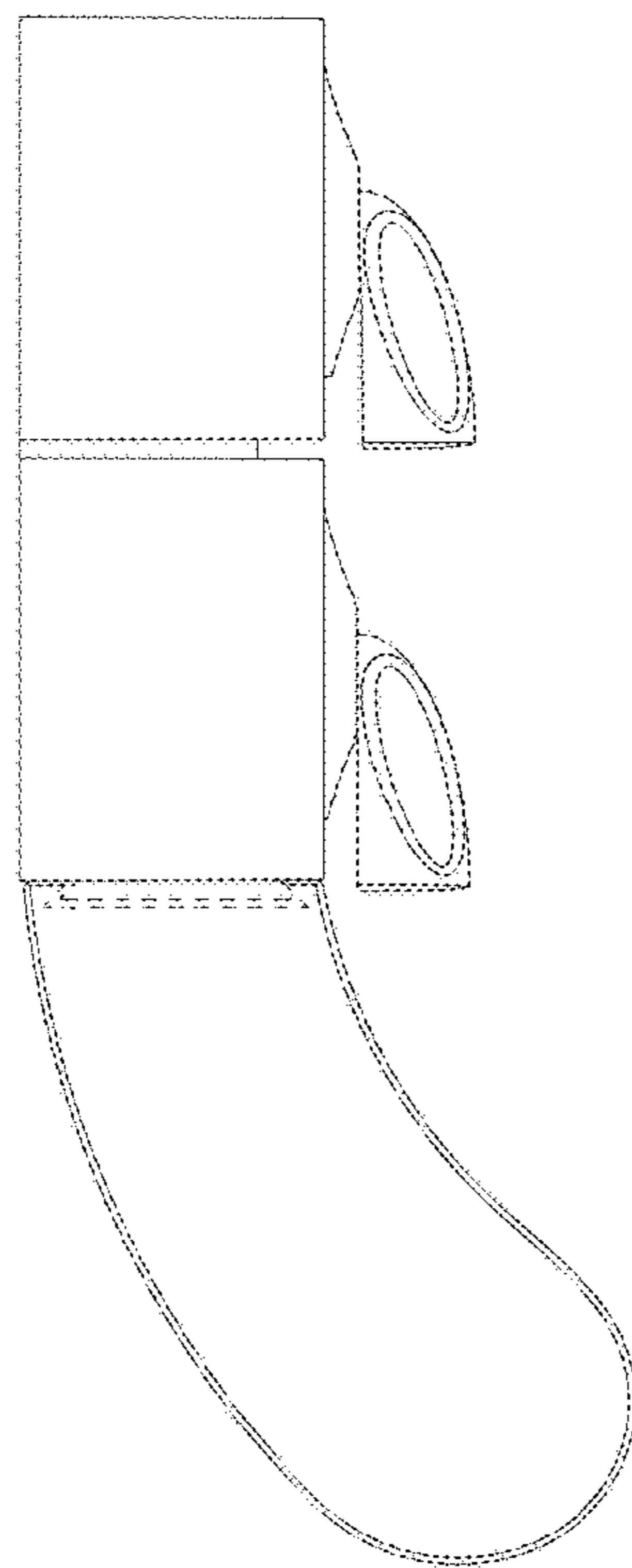


FIG. 4

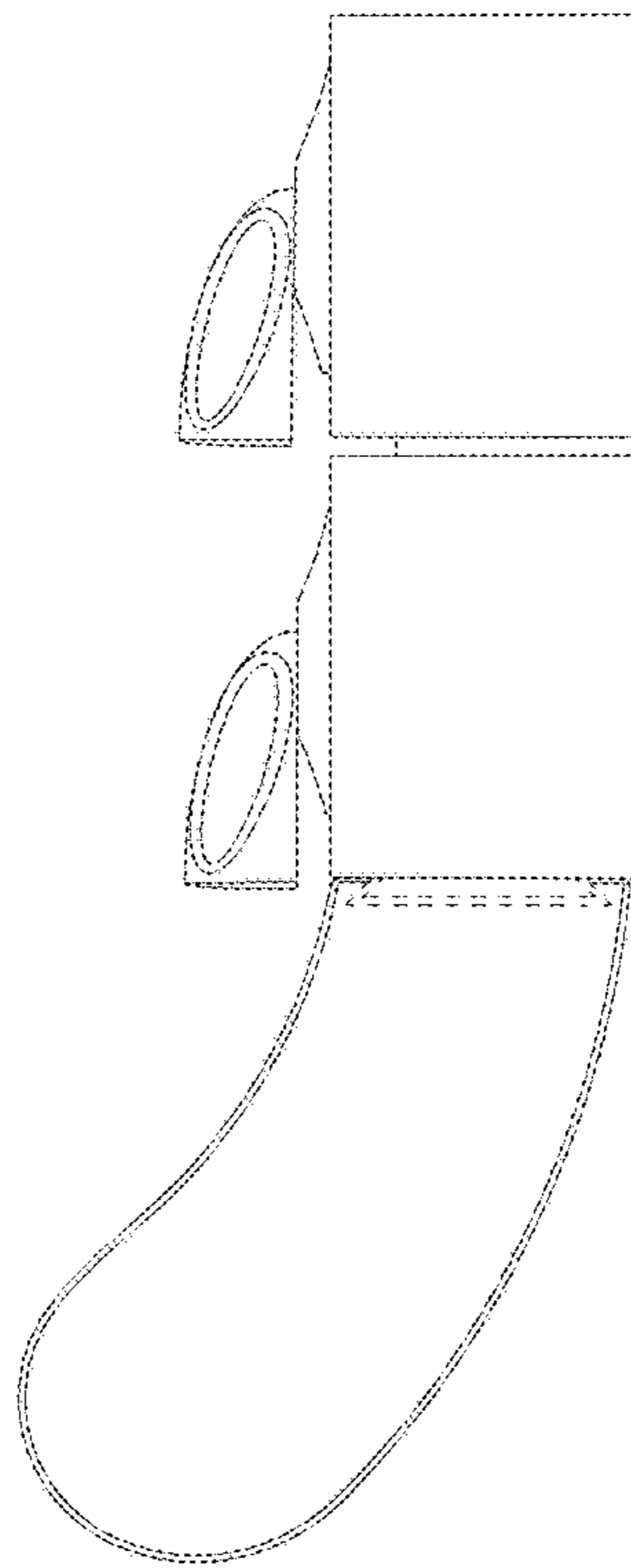


FIG. 5

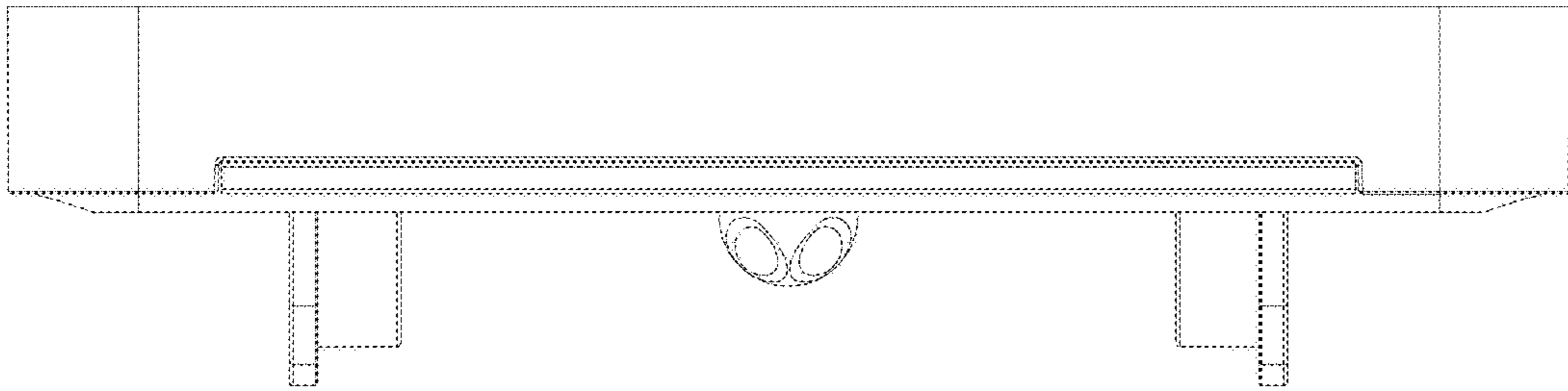


FIG. 6

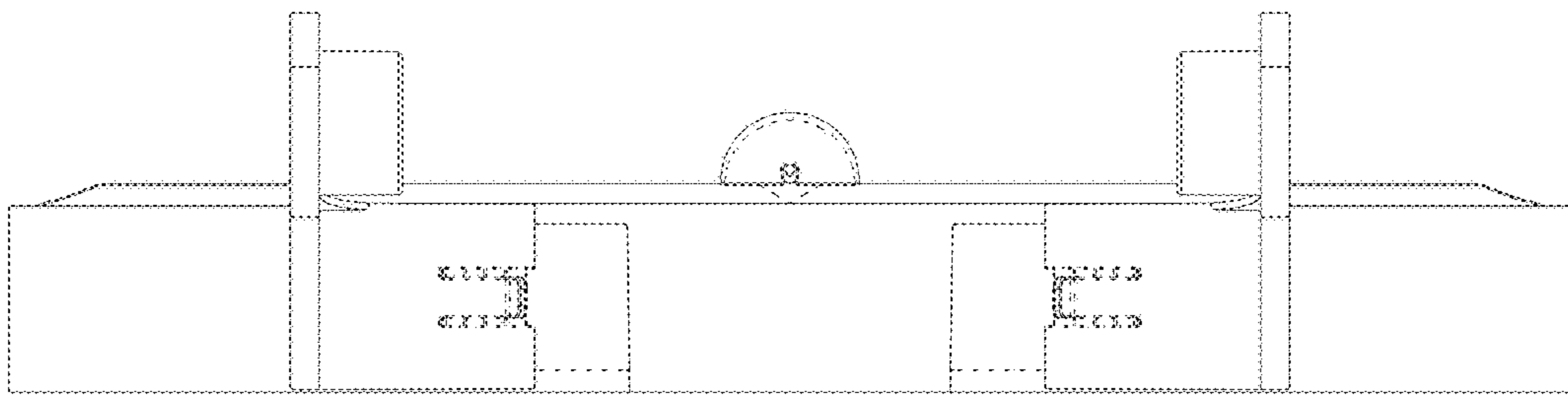


FIG. 7