



US00D533684S

(12) **United States Design Patent**  
**Gray et al.**

(10) **Patent No.:** **US D533,684 S**

(45) **Date of Patent:** **\*\* Dec. 12, 2006**

(54) **RAZOR CARTRIDGE**

(75) Inventors: **Michael J. Gray**, Duxbury, MA (US);  
**Craig Provost**, South Boston, MA (US)

(73) Assignee: **The Gillette Company**, Boston, MA  
(US)

(\*\*) Term: **14 Years**

(21) Appl. No.: **29/224,093**

(22) Filed: **Feb. 24, 2005**

(51) **LOC (8) Cl.** ..... **28-03**

(52) **U.S. Cl.** ..... **D28/47**

(58) **Field of Classification Search** ..... 30/32,  
30/34.05, 34.1, 34.2, 40, 41, 41.5-41.8, 44-51,  
30/57, 81, 82, 537, 538, 346.5, 346.57; D28/44,  
D28/44.1, 45-48

See application file for complete search history.

(56) **References Cited**

**U.S. PATENT DOCUMENTS**

D415,315 S \* 10/1999 Swanson et al. .... D28/47

2005/0188539 A1 \* 9/2005 Prudden et al. .... 30/41  
2005/0198841 A1 \* 9/2005 Worrick ..... 30/527

\* cited by examiner

*Primary Examiner*—Jennifer Rivard

(74) *Attorney, Agent, or Firm*—Edward S. Podszue

(57) **CLAIM**

The ornamental design for a razor cartridge, as shown.

**DESCRIPTION**

FIG. 1 is a top perspective view of a razor cartridge showing my new design;

FIG. 2 is a top plan view thereof;

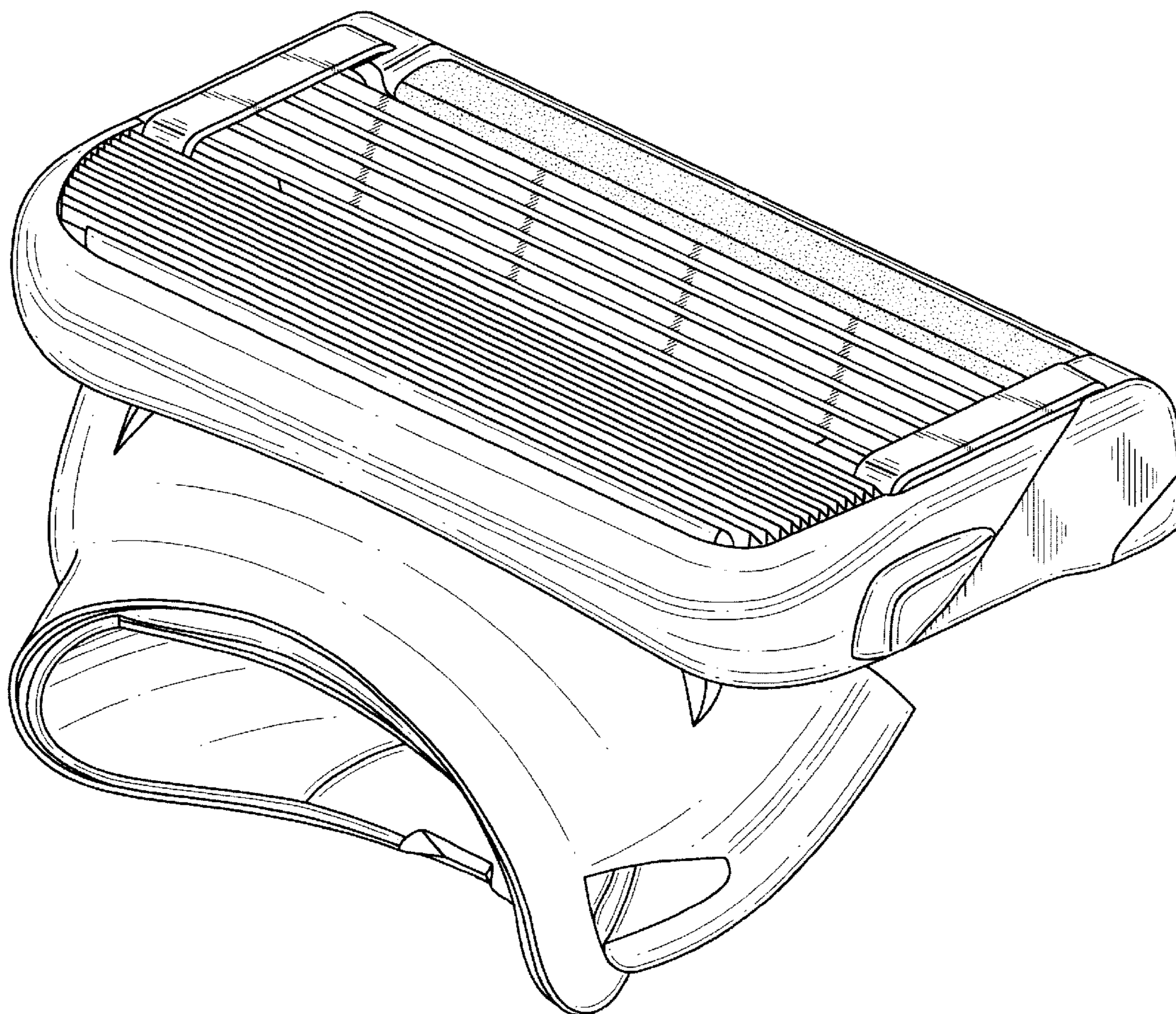
FIG. 3 is a left side elevational view, the right side elevational view being a mirror image thereof;

FIG. 4 is a bottom plan view thereof;

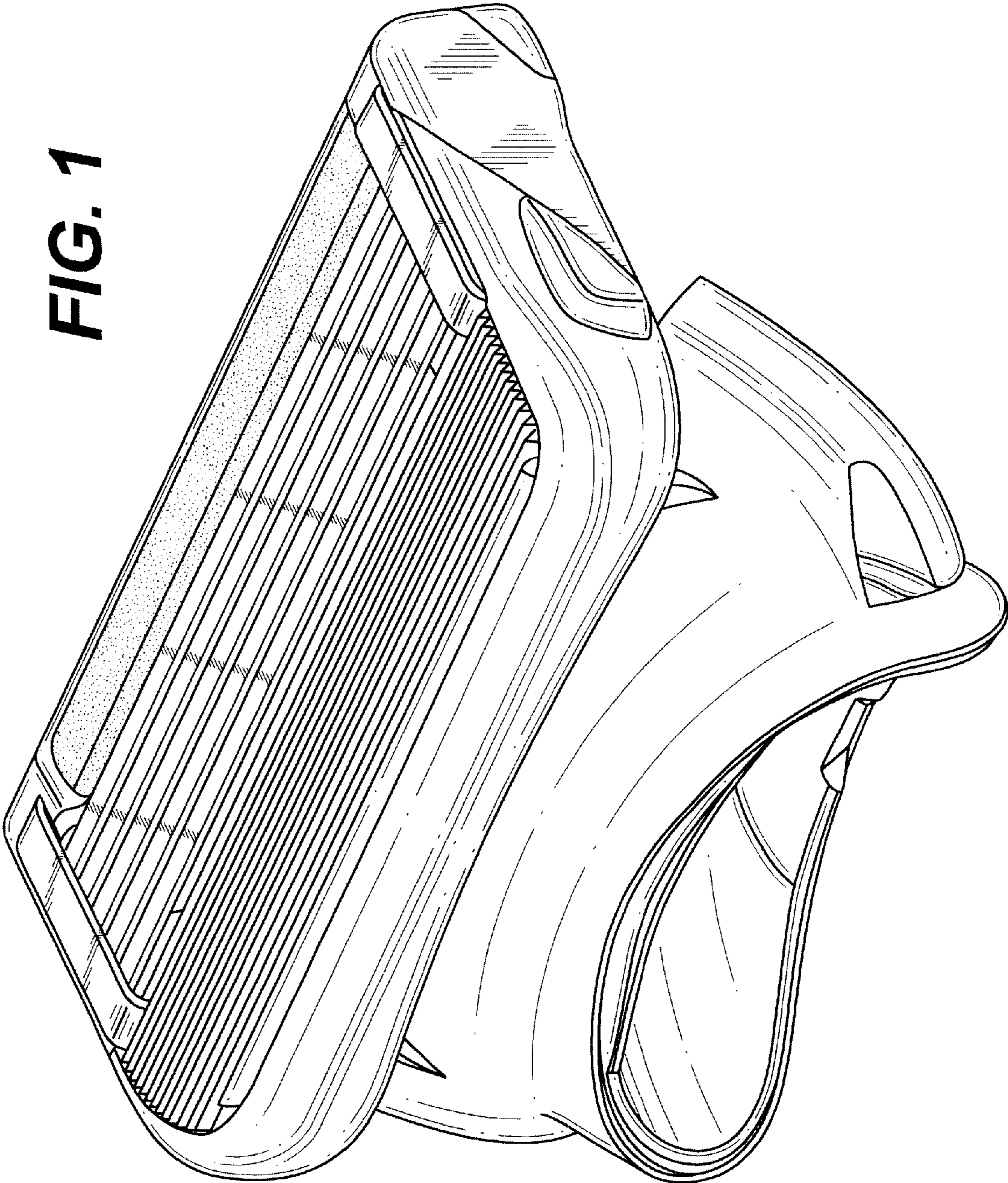
FIG. 5 is a front elevation view thereof; and,

FIG. 6 is a rear elevation view thereof.

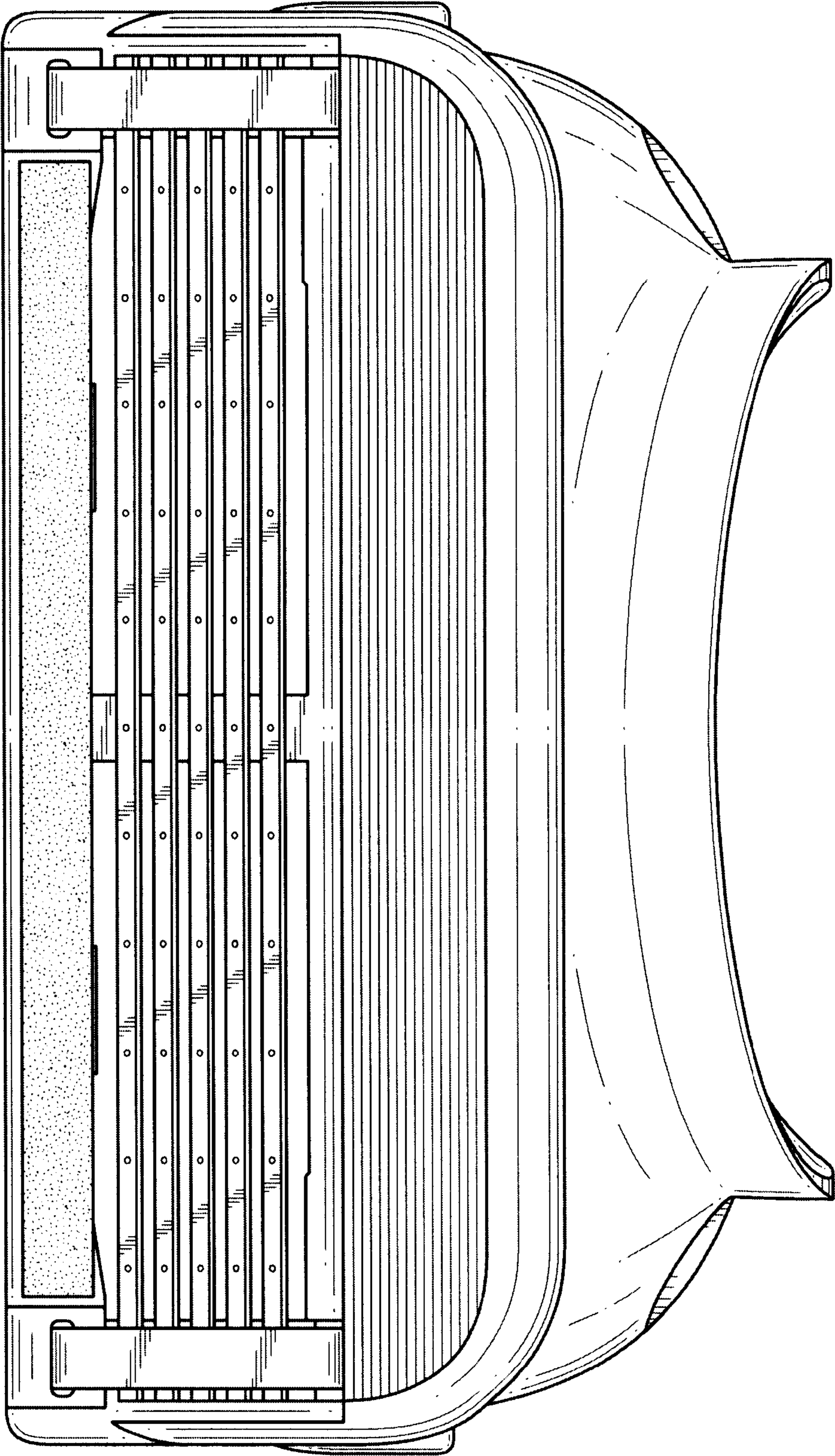
**1 Claim, 6 Drawing Sheets**



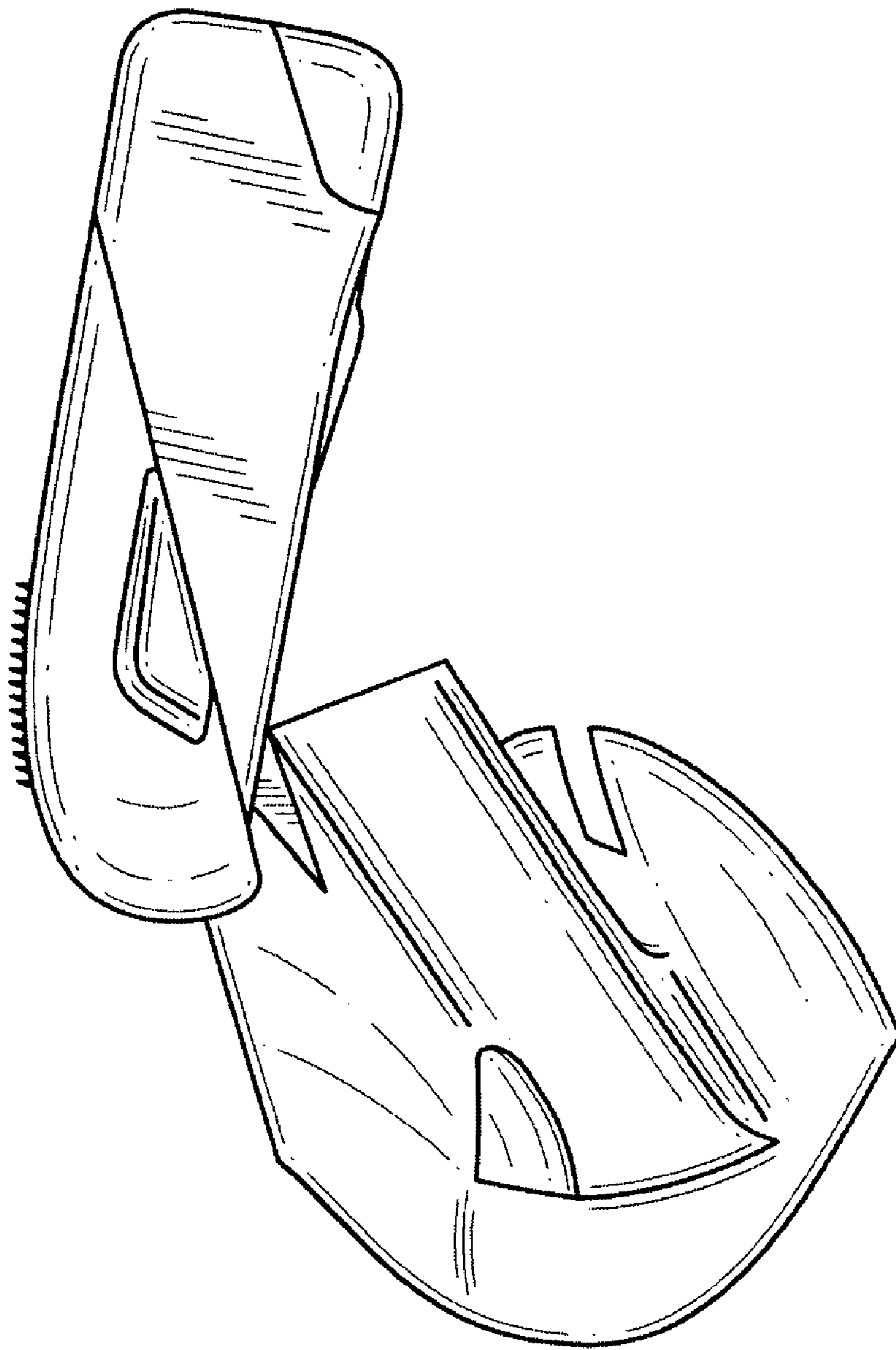
**FIG. 1**



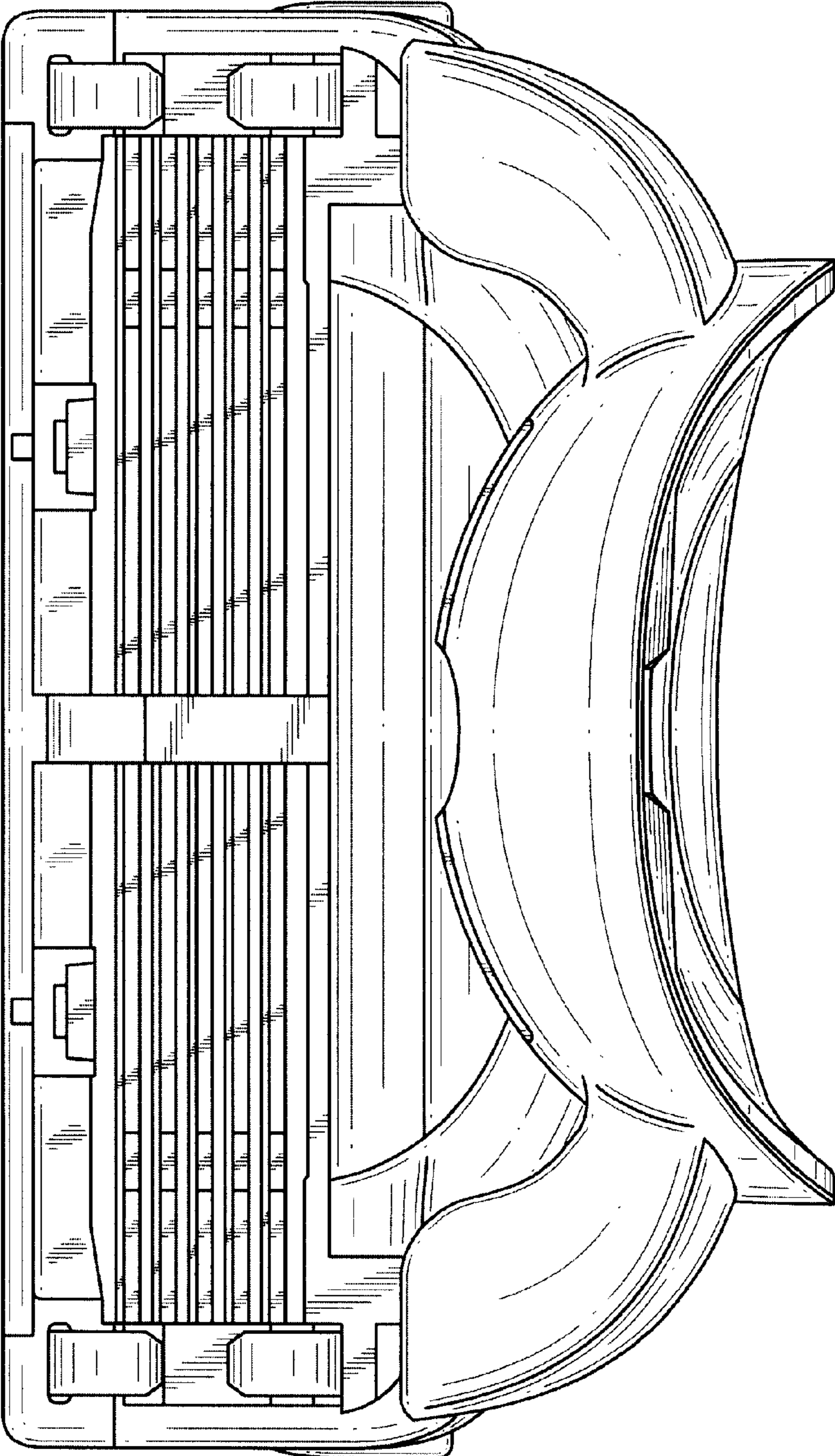
**FIG. 2**



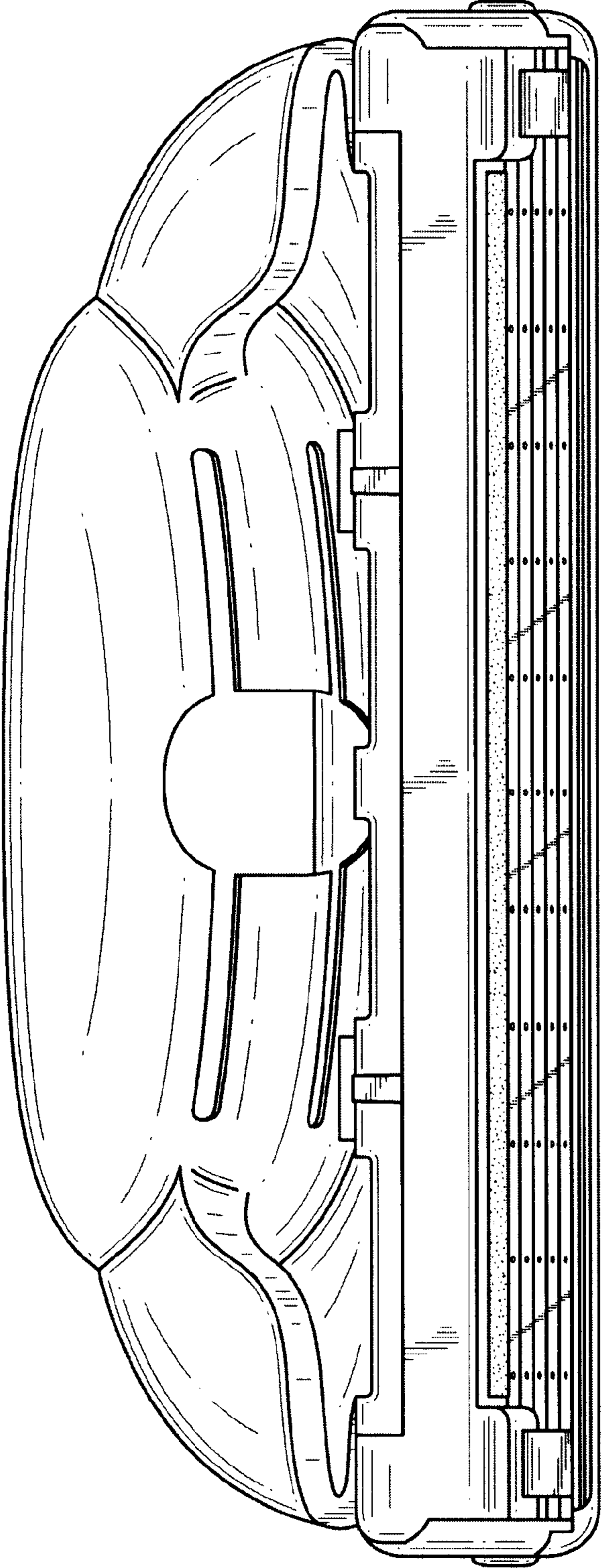
# ***FIG. 3***



**FIG. 4**



**FIG. 5**



**FIG. 6**

