

US00D892010S

(12) **United States Design Patent**
Tan

(10) **Patent No.:** **US D892,010 S**

(45) **Date of Patent:** **** Aug. 4, 2020**

(54) **VEHICLE VISOR**

(71) Applicant: **Shenzhen Miruisi Technology Co., Ltd.**, Shenzhen (CN)

(72) Inventor: **Longwu Tan**, Shenzhen (CN)

(73) Assignee: **SHENZHEN MIRUISI TECHNOLOGY CO., LTD.**, Shenzhen (CN)

(**) Term: **15 Years**

(21) Appl. No.: **29/670,638**

(22) Filed: **Nov. 19, 2018**

(51) **LOC (12) Cl.** **12-16**

(52) **U.S. Cl.**
USPC **D12/191**

(58) **Field of Classification Search**
USPC D12/191, 181, 183–185, 106, 417,
D12/311–312
CPC B60J 3/0208; B60J 3/02
See application file for complete search history.

(56) **References Cited**

U.S. PATENT DOCUMENTS

D476,609 S * 7/2003 Gibson D12/191
D561,671 S * 2/2008 Ma D12/191

D566,636 S * 4/2008 Ma D12/191
D628,532 S * 12/2010 Niu D12/417
D764,425 S * 8/2016 Boyer, Jr. D14/132
D792,996 S * 7/2017 Moeller D26/65
D797,629 S * 9/2017 Abruzzio D12/191
D798,304 S * 9/2017 Sung D14/447
D807,843 S * 1/2018 Harris D14/126
D807,847 S * 1/2018 Ahn D14/126
D833,350 S * 11/2018 Windel D12/191
2018/0162202 A1 * 6/2018 Yoshimi B60J 3/0278

* cited by examiner

Primary Examiner — Katrina A Betton

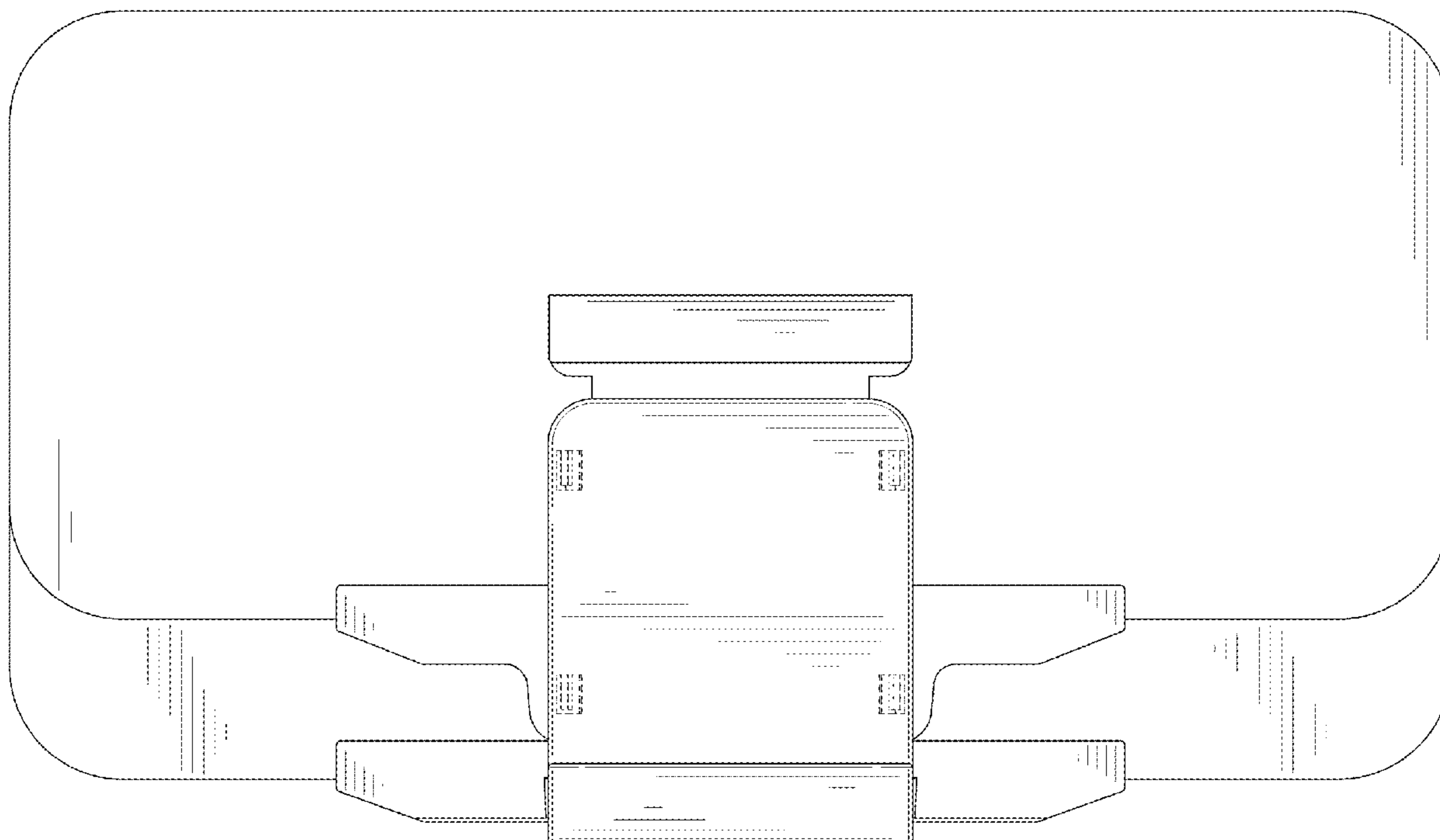
(57) **CLAIM**

The ornamental design for a vehicle visor, as shown and described.

DESCRIPTION

FIG. 1 is a perspective view of the vehicle visor showing my new design;
FIG. 2 is another perspective view thereof;
FIG. 3 is another perspective view thereof;
FIG. 4 is a front elevational view thereof;
FIG. 5 is a rear devotional view thereof;
FIG. 6 is a left side elevational view thereof;
FIG. 7 is a right side elevational view thereof;
FIG. 8 is a top plan view thereof; and,
FIG. 9 is a bottom plan view thereof.
The broken lines illustrate portions of the vehicle visor that form no part of the claimed design.

1 Claim, 9 Drawing Sheets



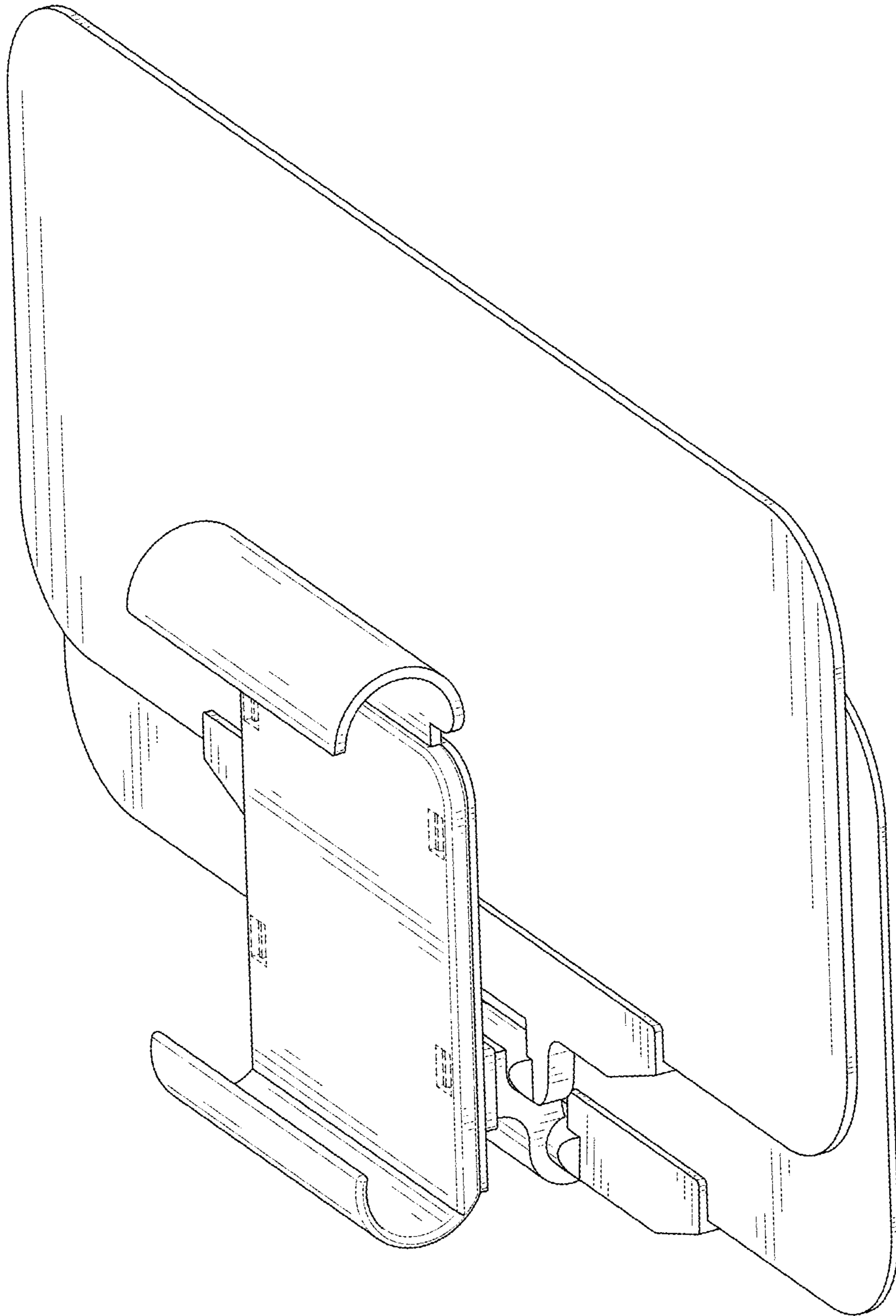


FIG. 1

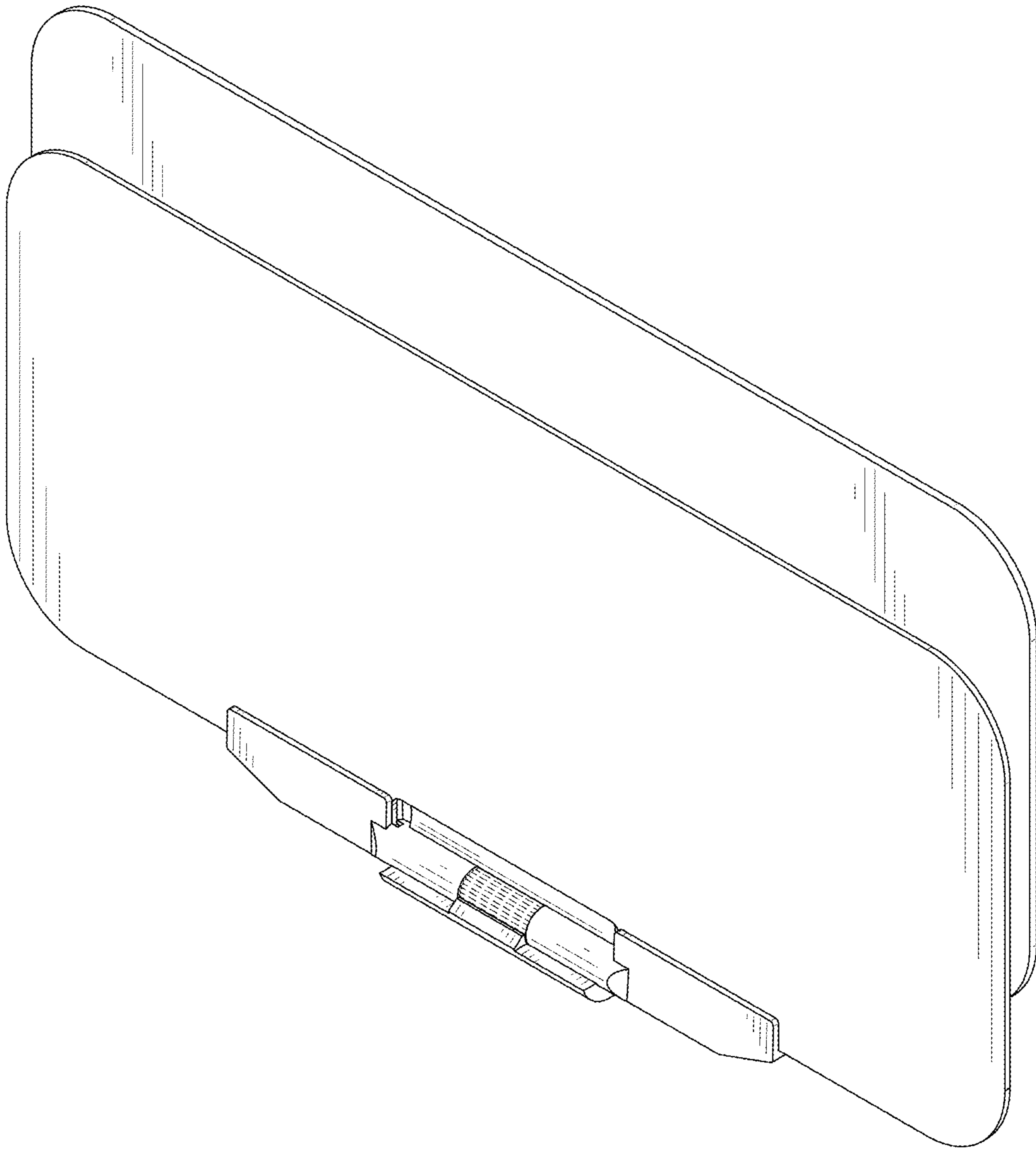


FIG. 2

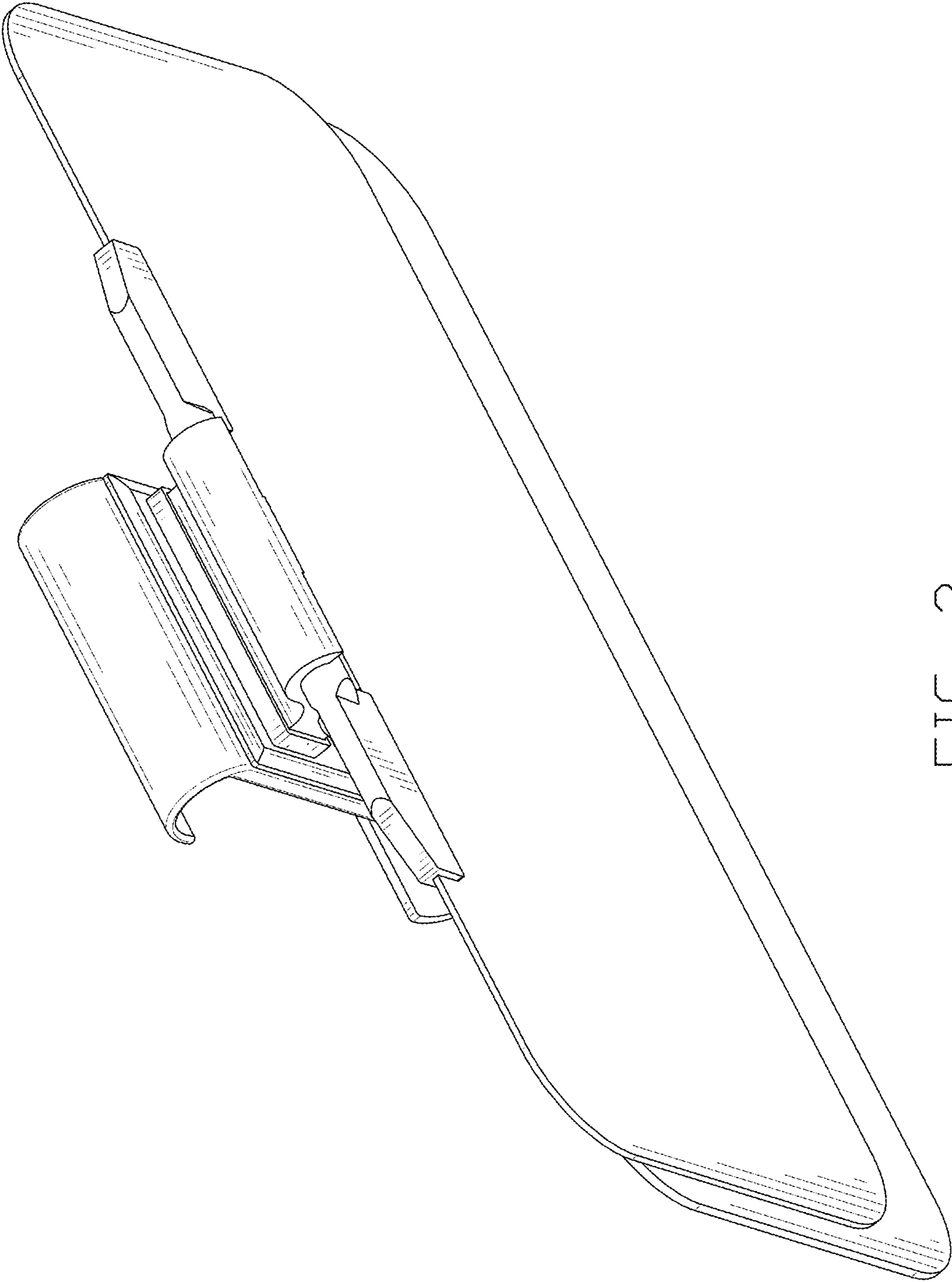


FIG. 3

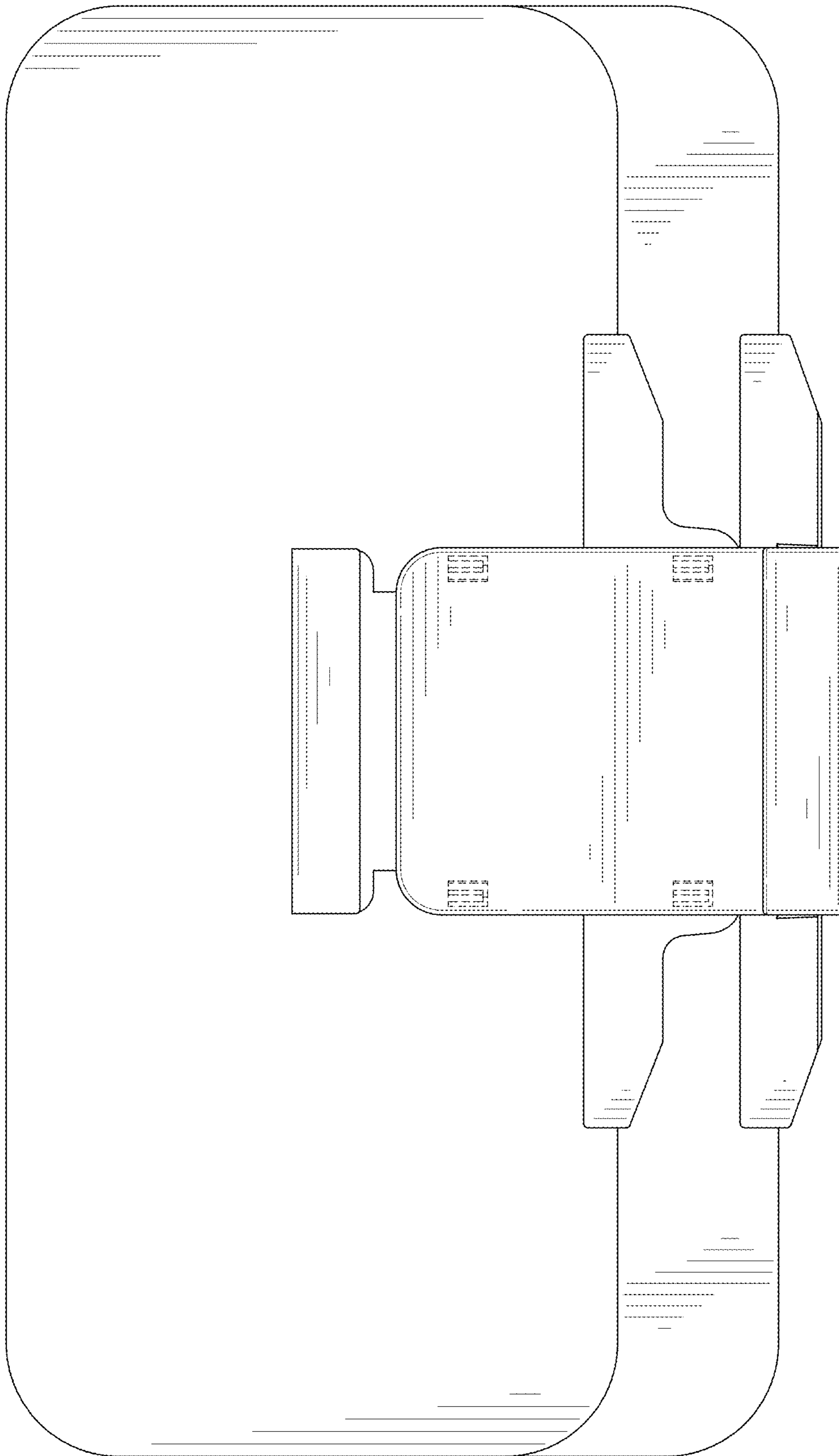


FIG. 4

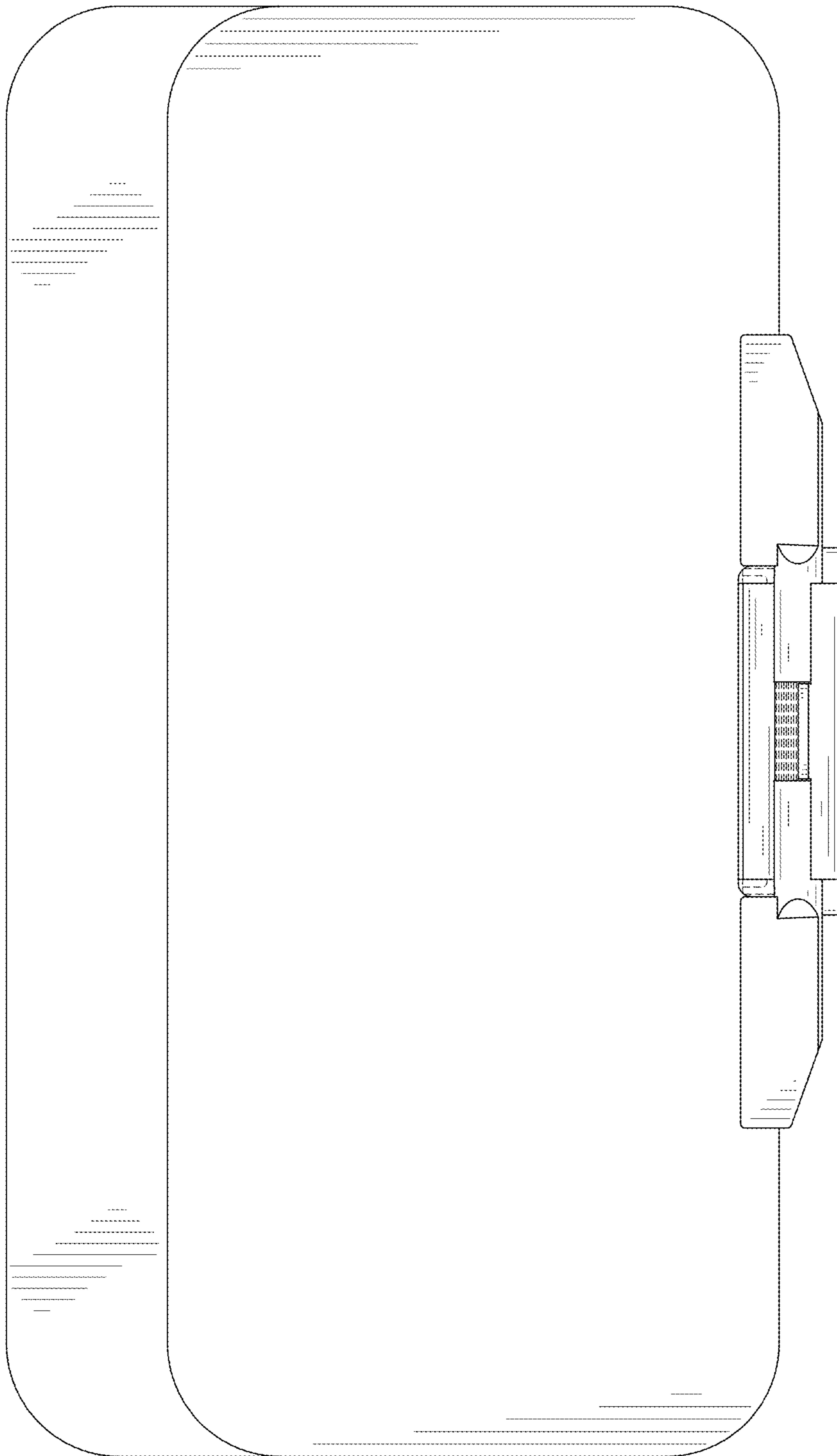


FIG. 5

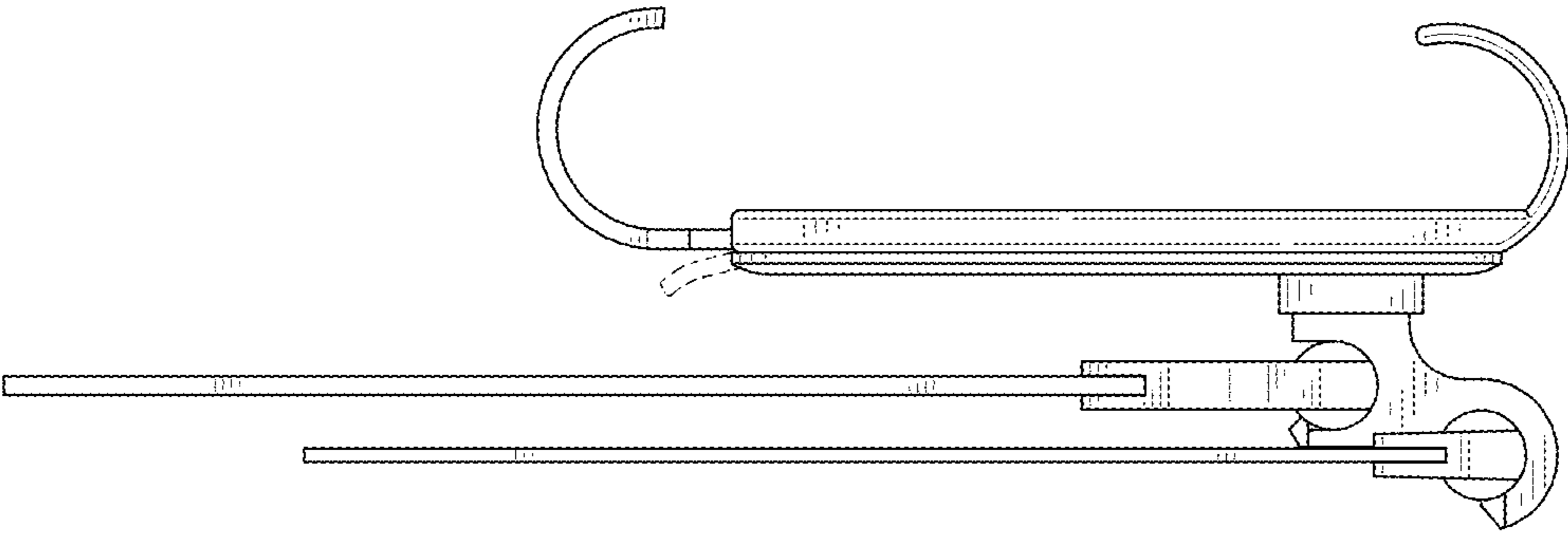


FIG. 6

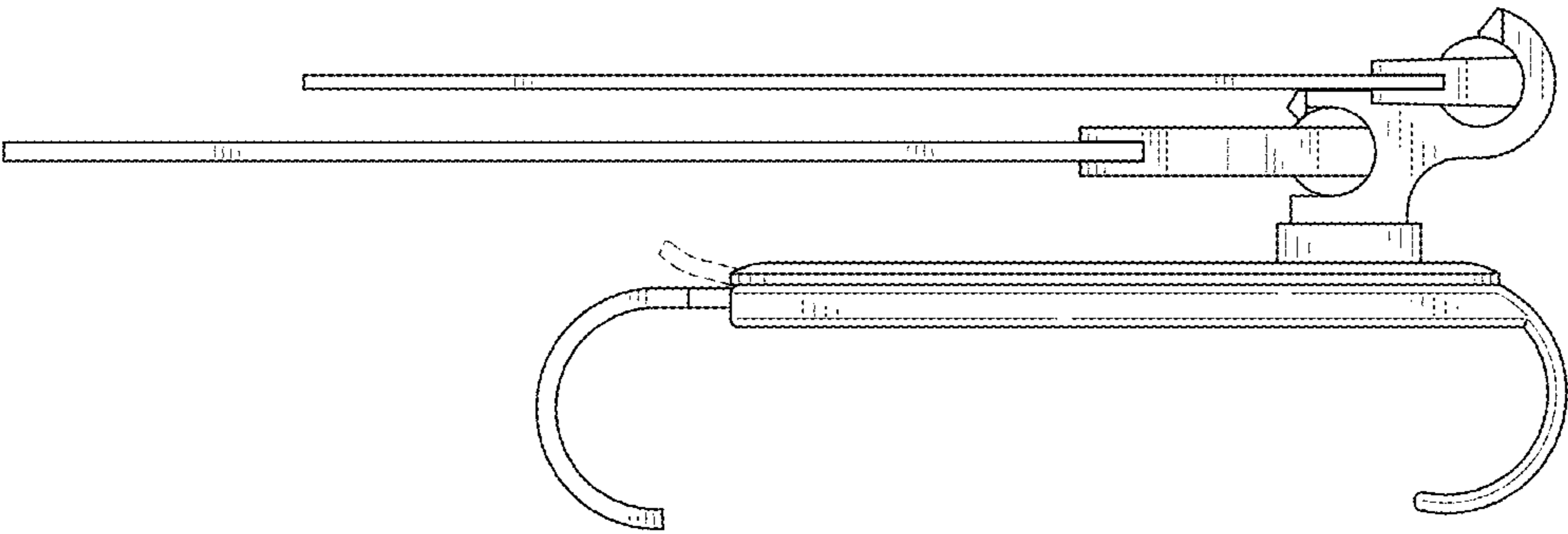


FIG. 7

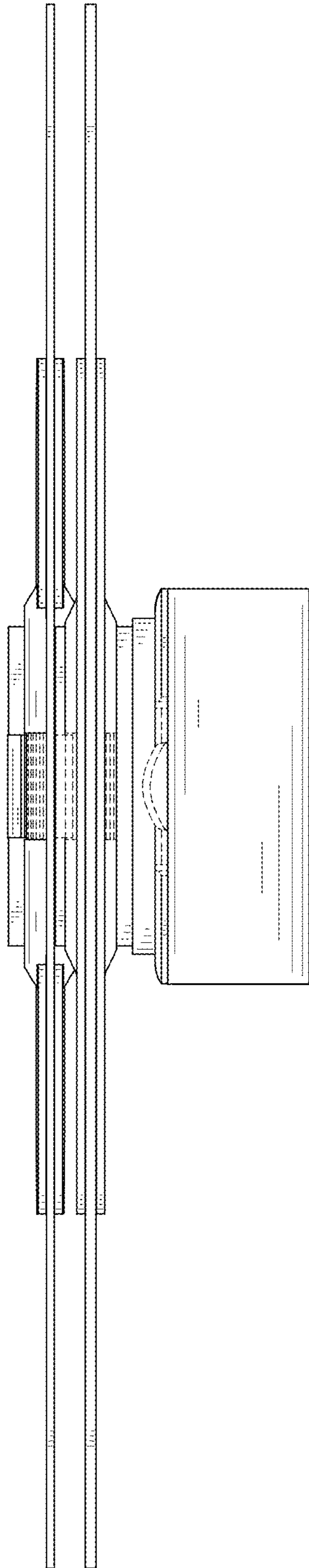


FIG. 8

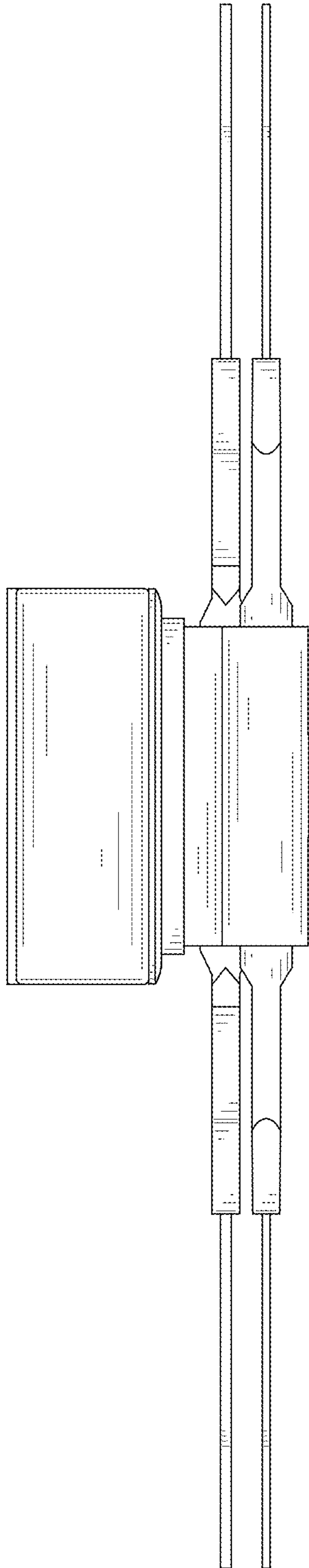


FIG. 9