



US00D713919S

(12) **United States Design Patent**
Rager

(10) **Patent No.:** **US D713,919 S**

(45) **Date of Patent:** **** Sep. 23, 2014**

(54) **ARROWHEAD**

(71) Applicant: **Christopher Allen Rager**, Belgrade, MT (US)

(72) Inventor: **Christopher Allen Rager**, Belgrade, MT (US)

(73) Assignee: **Flying Arrow Archery, LLC**, Belgrade, MT (US)

(**) Term: **14 Years**

(21) Appl. No.: **29/441,340**

(22) Filed: **Jan. 3, 2013**

(51) **LOC (10) Cl.** **22-01**

(52) **U.S. Cl.**
USPC **D22/107**

(58) **Field of Classification Search**
USPC D22/107, 115–116; 124/35.2, 89–90,
124/92; 473/582, 578; D21/573
See application file for complete search history.

(56) **References Cited**

U.S. PATENT DOCUMENTS

2,888,264	A *	5/1959	Sharrar et al.	473/585
4,093,230	A *	6/1978	Simo	473/583
5,257,809	A	11/1993	Carrizosa	
6,319,161	B1	11/2001	Martinez et al.	
6,663,518	B1 *	12/2003	Kuhn	473/583
6,887,172	B2	5/2005	Arasmith	

8,043,178	B2 *	10/2011	Sames	473/583
D663,004	S *	7/2012	Isringhausen	D22/107
8,496,549	B2 *	7/2013	Couture	473/583
2013/0237350	A1 *	9/2013	Rager	473/584

* cited by examiner

Primary Examiner — Michael A Pratt

(74) *Attorney, Agent, or Firm* — Lathrop & Gage LLP

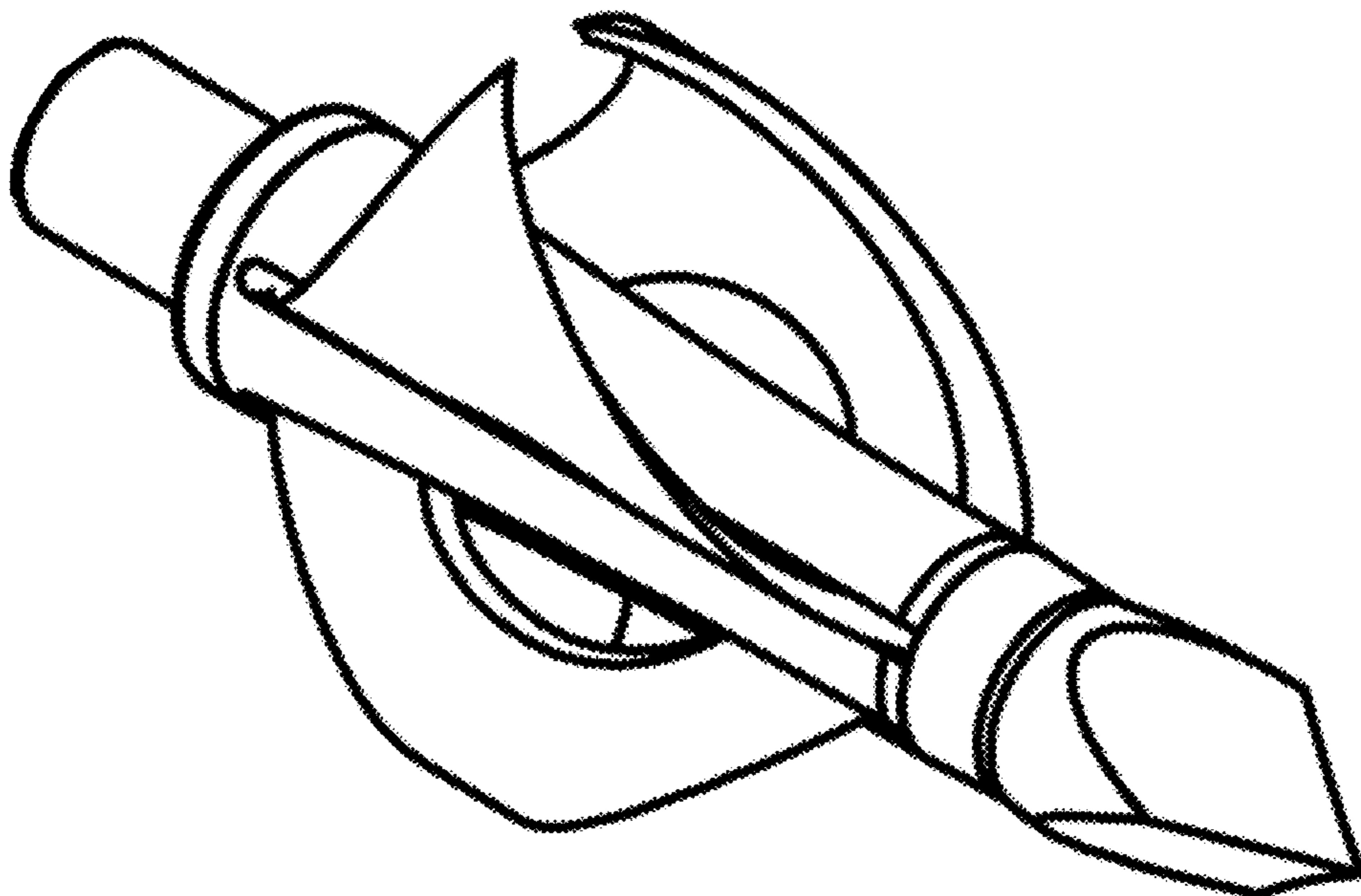
(57) **CLAIM**

The ornamental design for an arrowhead, as shown and described.

DESCRIPTION

FIG. 1 is an isometric view of an arrowhead in accordance with a first embodiment of my new design;
 FIG. 2 is a top view thereof;
 FIG. 3 is a bottom view thereof;
 FIG. 4 is a right side view thereof;
 FIG. 5 is a left side view thereof;
 FIG. 6 is a front view thereof;
 FIG. 7 is a back view thereof;
 FIG. 8 is an isometric view of an arrowhead in accordance with a second embodiment of my new design;
 FIG. 9 is a top view thereof;
 FIG. 10 is a bottom view thereof;
 FIG. 11 is a right side view thereof;
 FIG. 12 is a left side view thereof;
 FIG. 13 is a front view thereof; and,
 FIG. 14 is a back view thereof.

1 Claim, 8 Drawing Sheets



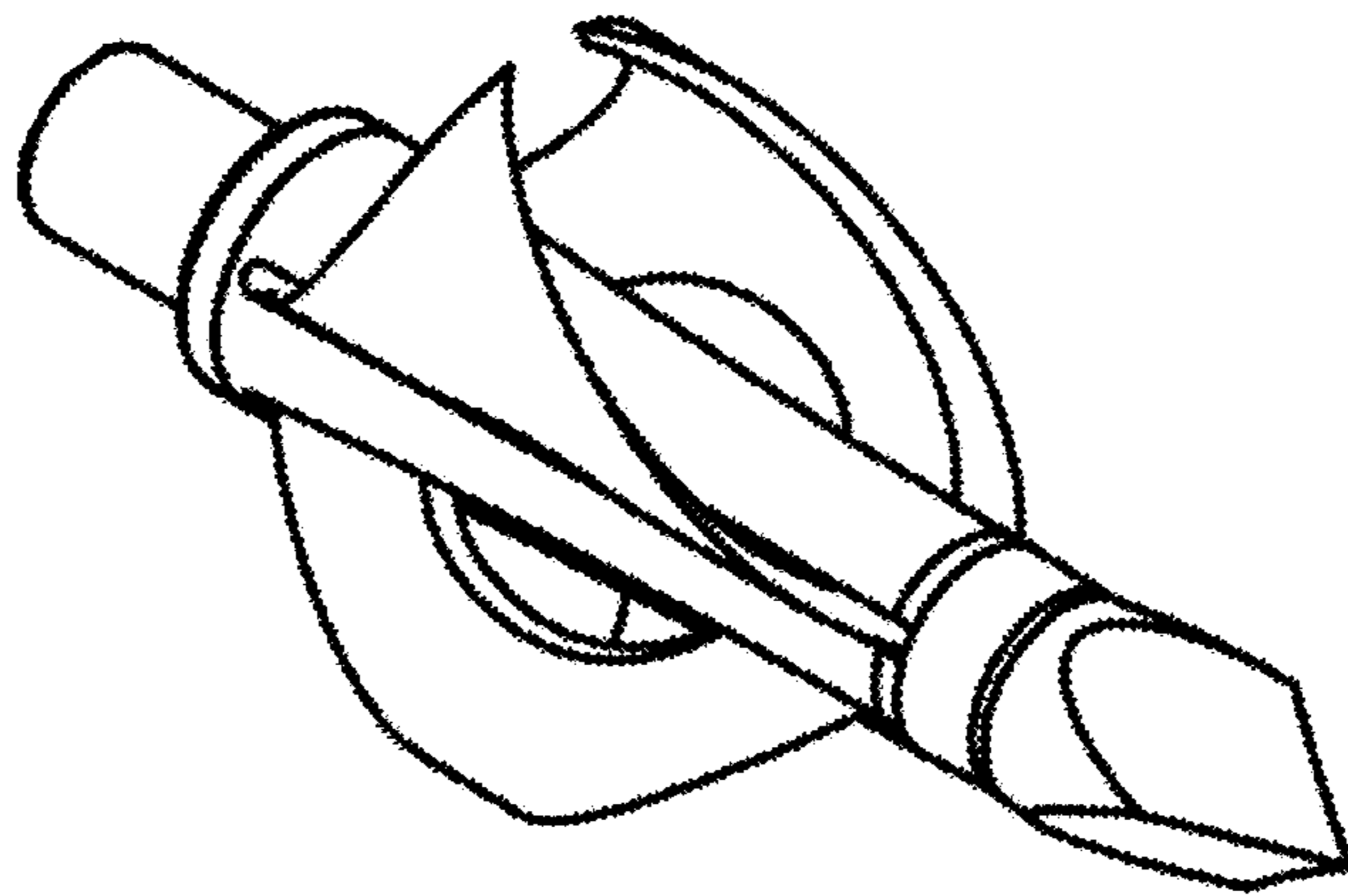


Fig. 1



Fig. 2

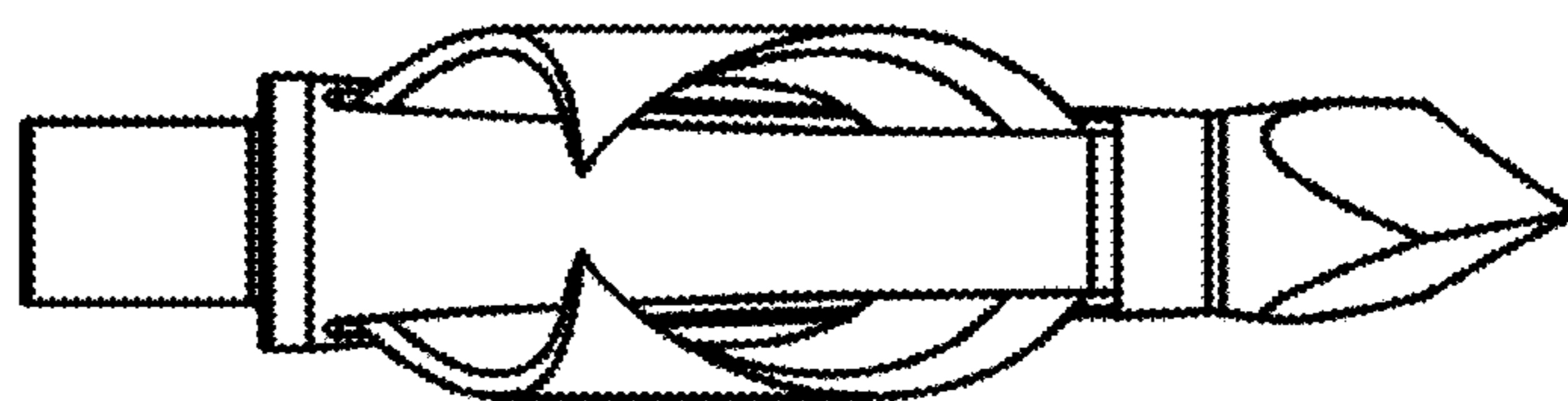


Fig. 3

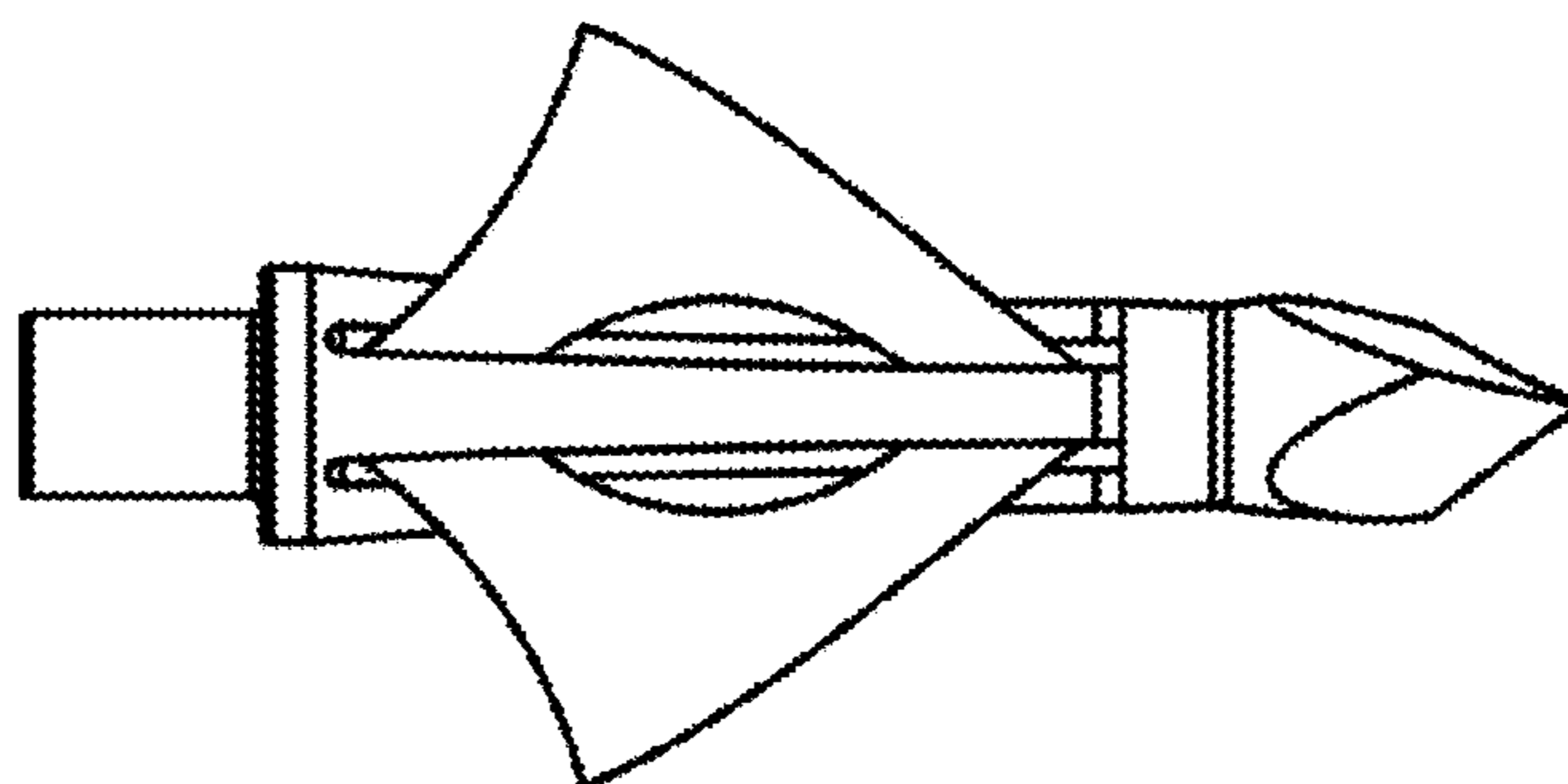


Fig. 4

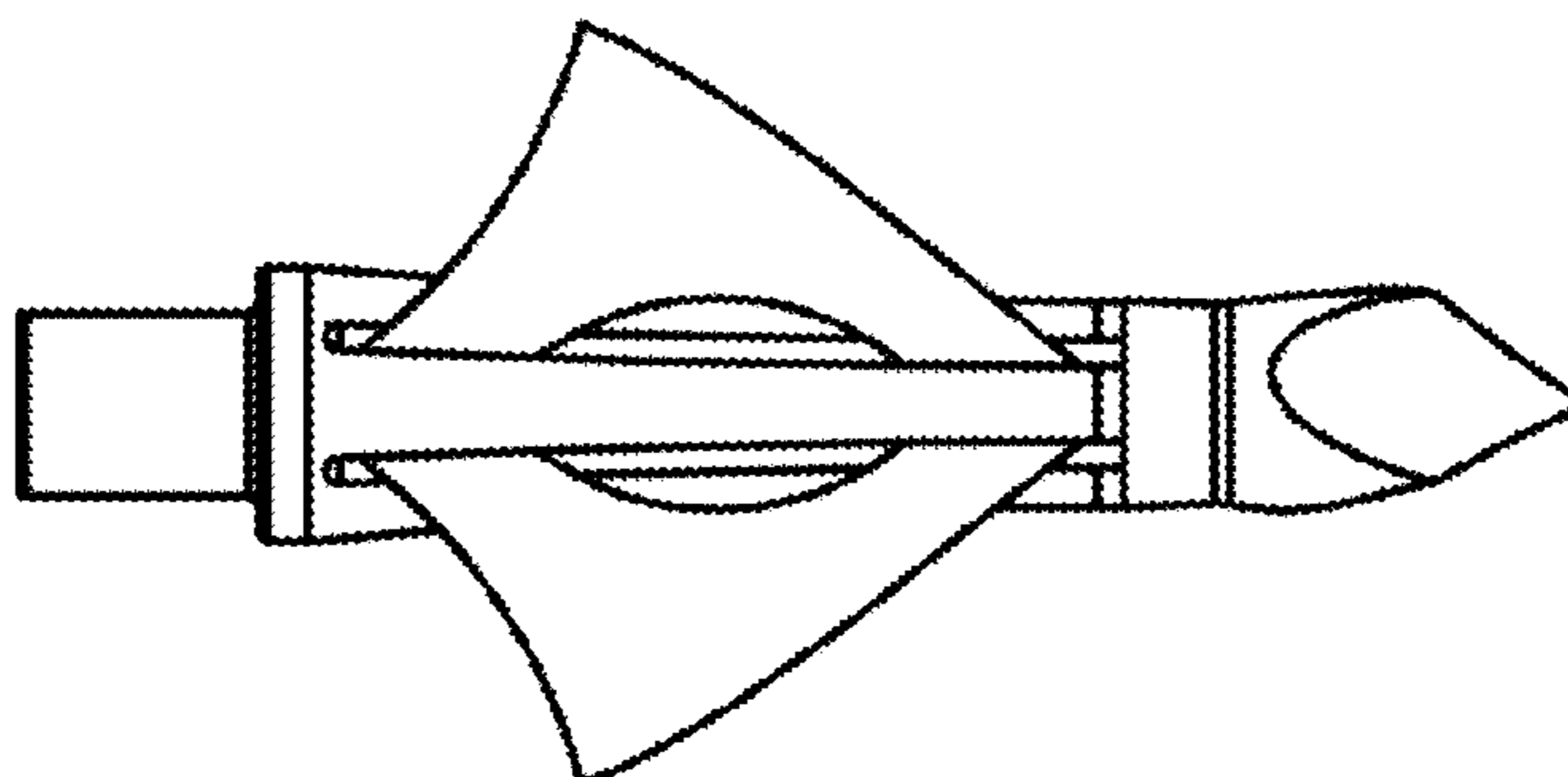


Fig. 5

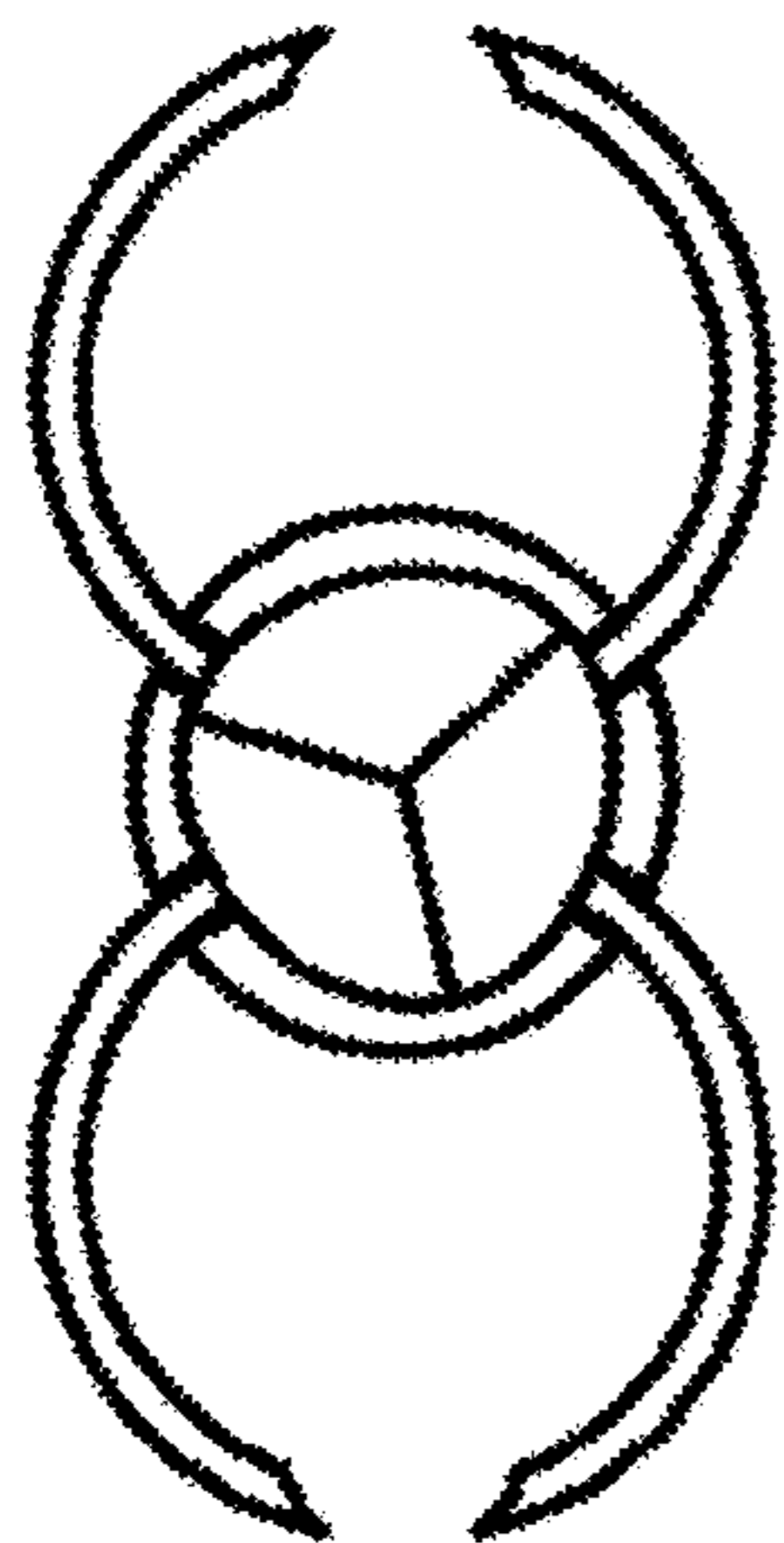


Fig. 6

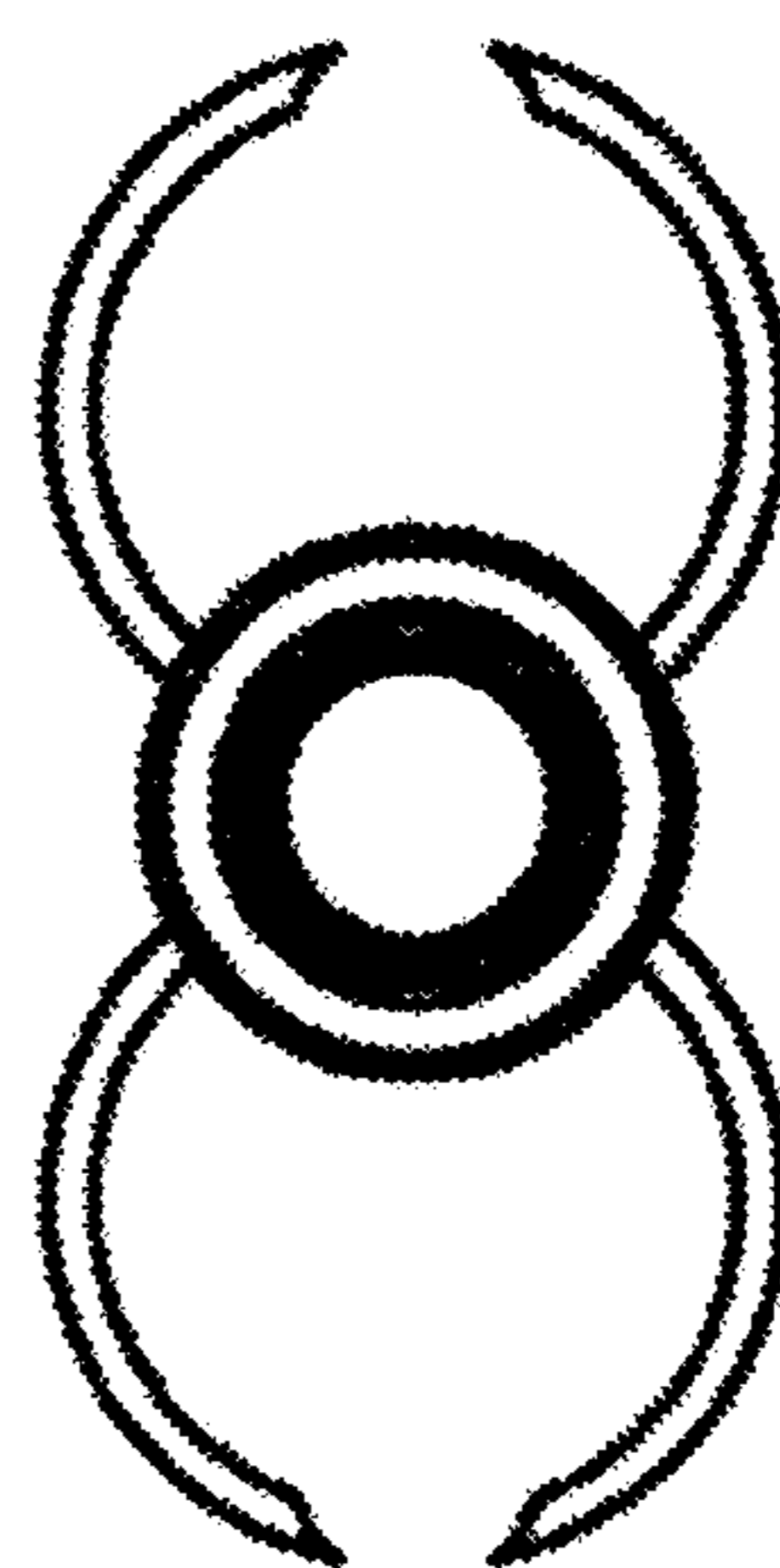


Fig. 7

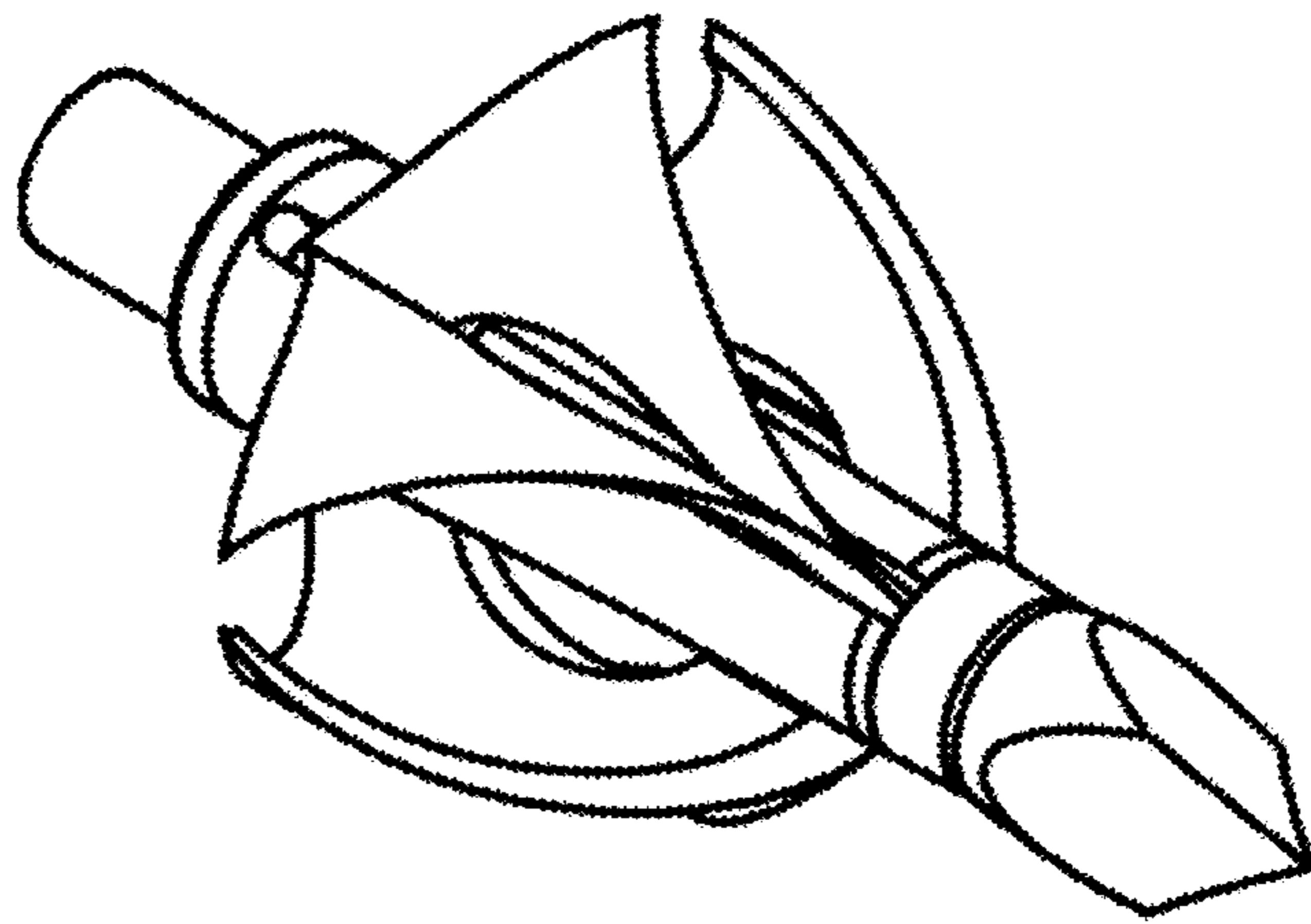


Fig. 8

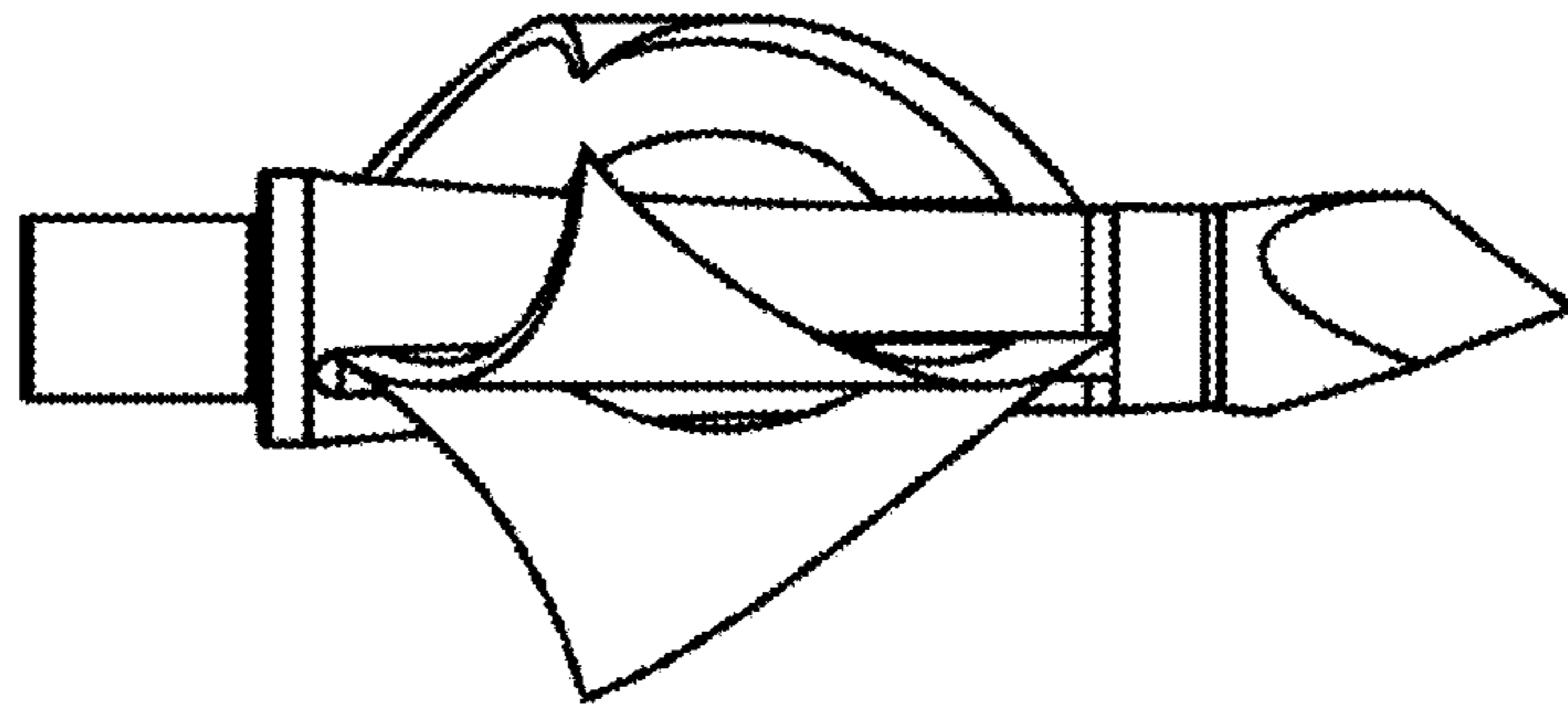


Fig. 9

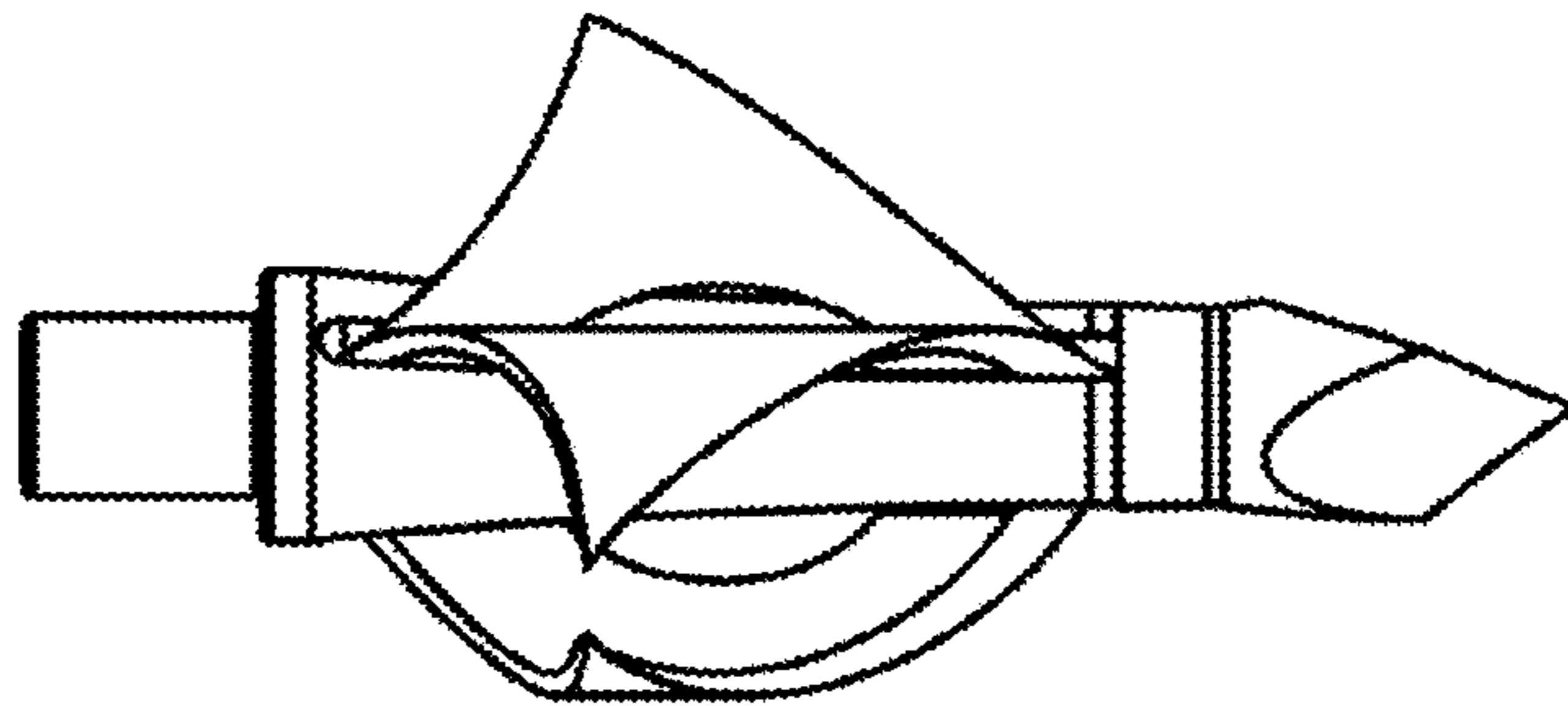


Fig. 10

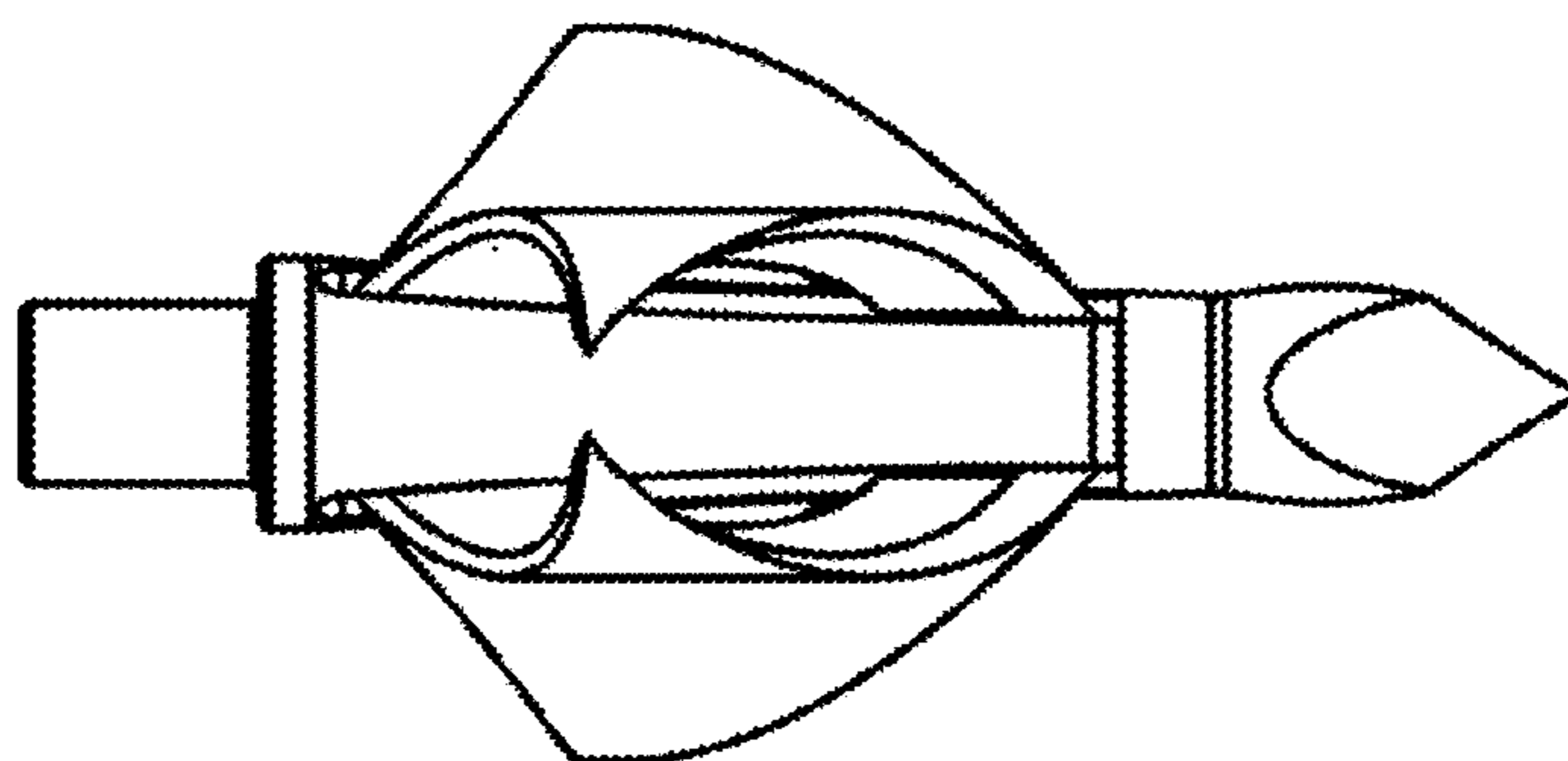


Fig. 11

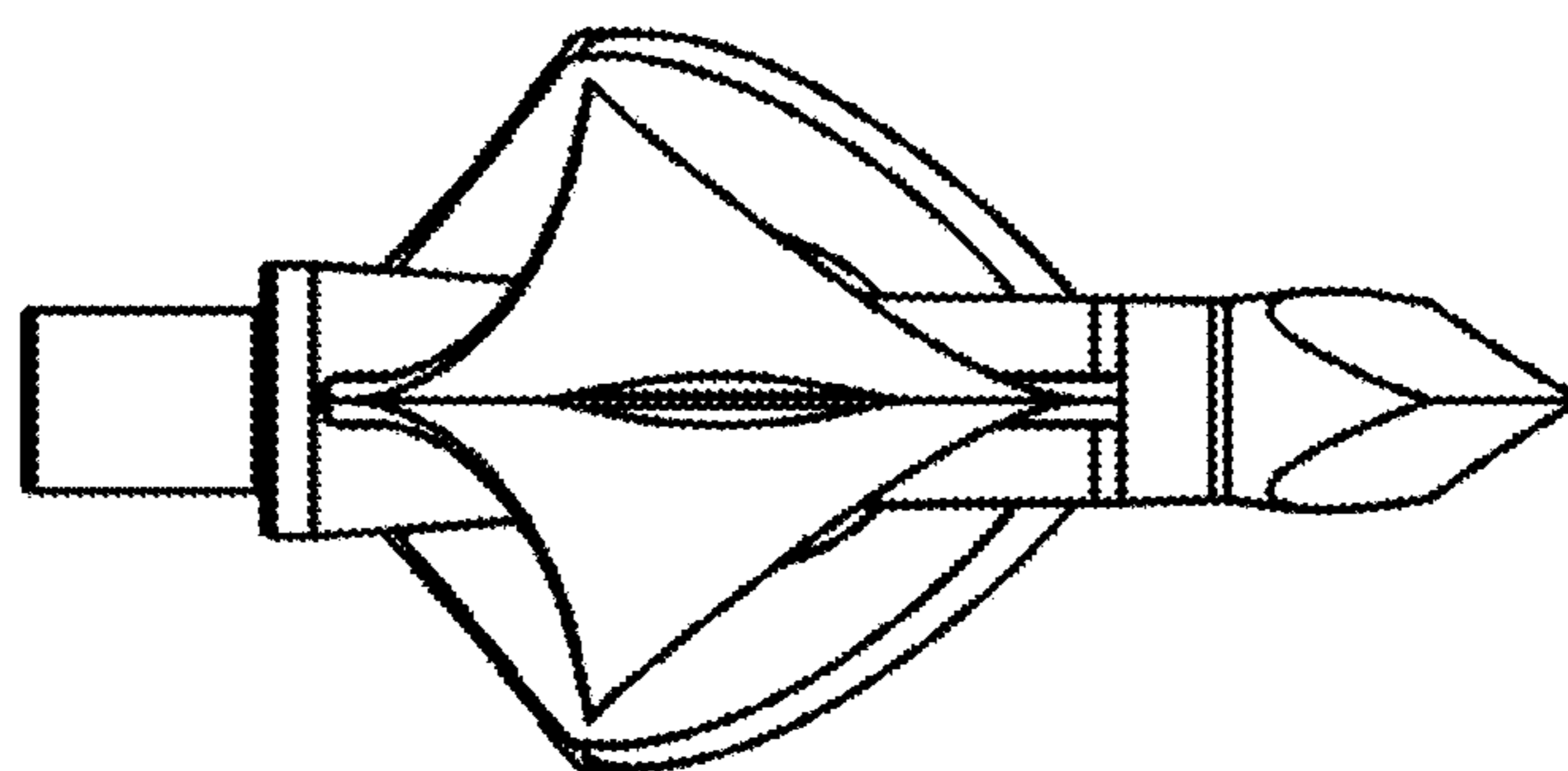


Fig. 12

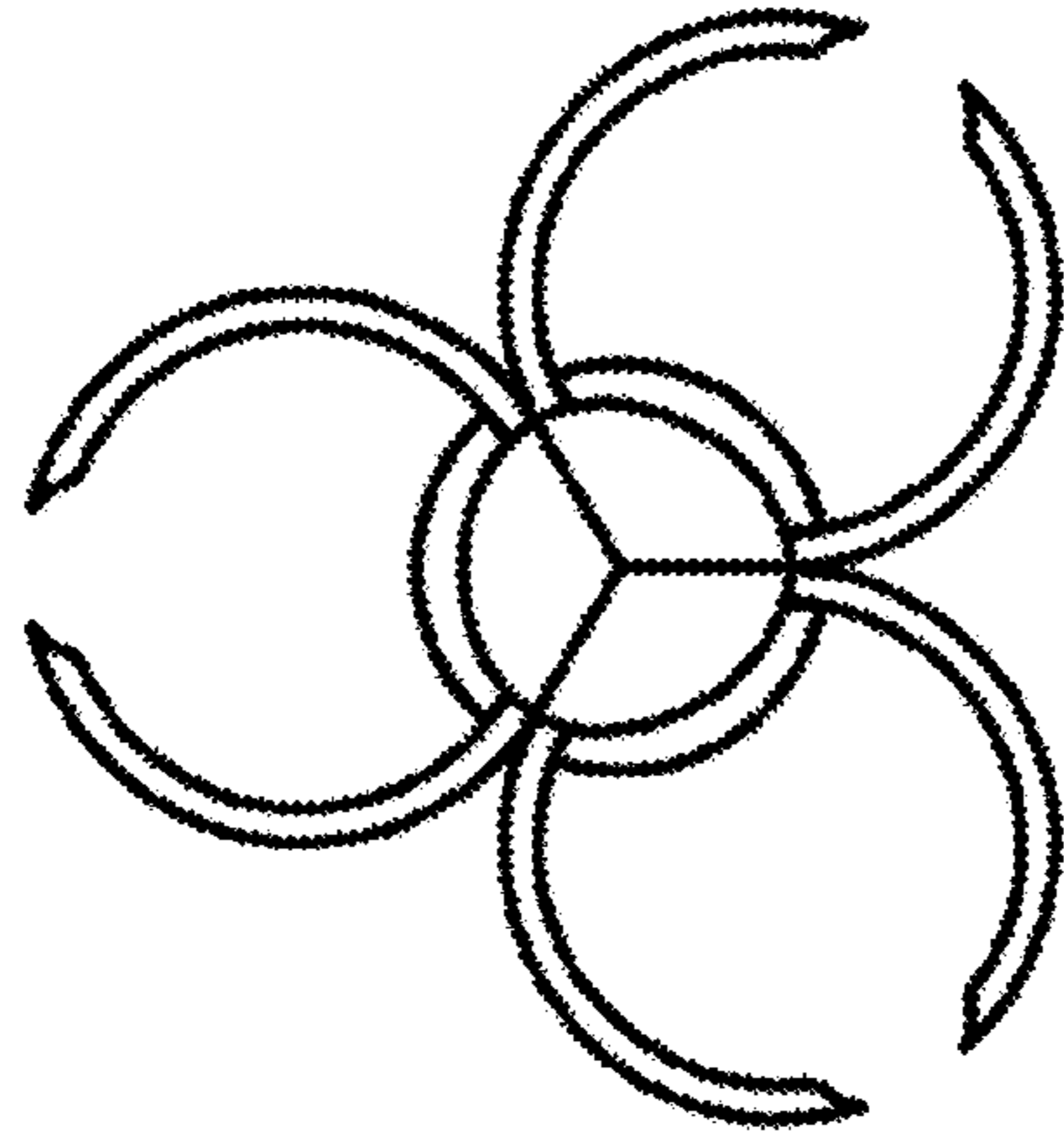


Fig. 13

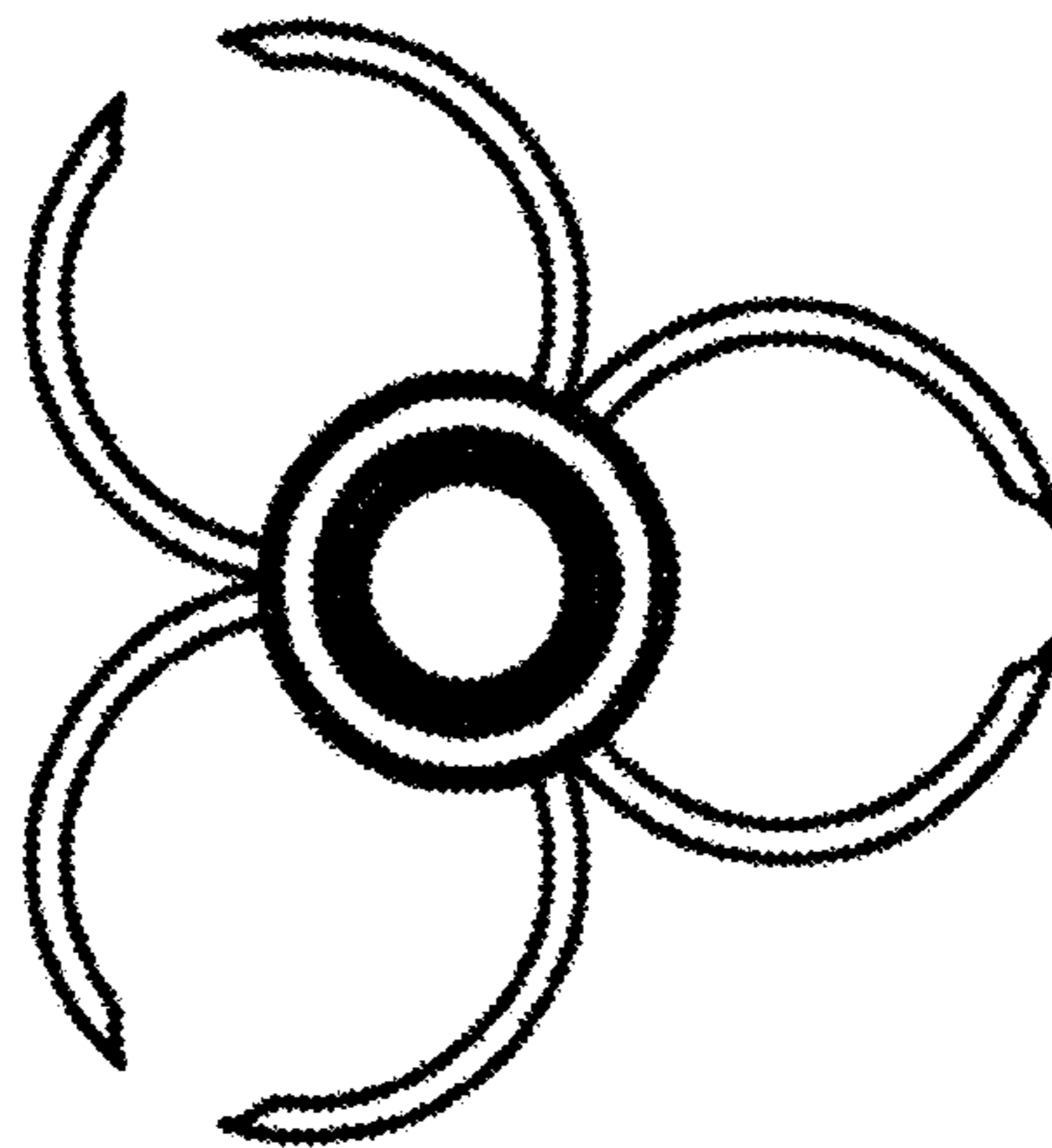


Fig. 14