



US00D863047S

(12) **United States Design Patent**  
**Huang**

(10) **Patent No.:** **US D863,047 S**

(45) **Date of Patent:** **\*\* Oct. 15, 2019**

- (54) **HOOK**
- (71) Applicant: **ShenZhen FangKuai Enterprises Co., Ltd.**, Shenzhen (CN)
- (72) Inventor: **Hui Huang**, Shenzhen (CN)
- (73) Assignee: **ShenZhen FangKuai Enterprises Co., Ltd.**, Shenzhen (CN)
- (\*\*) Term: **15 Years**
- (21) Appl. No.: **29/654,333**
- (22) Filed: **Jun. 22, 2018**
- (51) **LOC (12) Cl.** ..... **08-05**
- (52) **U.S. Cl.**  
USPC ..... **D8/367**
- (58) **Field of Classification Search**  
USPC ..... D8/367, 356, 354, 349, 18, 105, 368,  
D8/397; D11/208, 218; 248/341;  
224/217  
CPC ..... A45F 5/021; A44B 13/0029; F16B 45/00;  
F16M 13/02; A45C 13/03; A47G 1/17  
See application file for complete search history.

- D376,714 S \* 12/1996 Dallimore ..... D11/152
- D389,326 S \* 1/1998 Moore ..... D6/323
- D397,256 S \* 8/1998 Moore ..... D6/323
- D400,426 S \* 11/1998 Gillin ..... D8/354
- 6,126,126 A \* 10/2000 McKiernan, Jr. .... A47G 1/22  
248/217.3
- D442,073 S \* 5/2001 Lyndon ..... D6/323
- D448,654 S \* 10/2001 Snell ..... D8/367
- D455,948 S \* 4/2002 Zetsche ..... D6/523
- D476,919 S \* 7/2003 Vidmar ..... D11/182
- D488,943 S \* 4/2004 Bates ..... D6/524
- D489,250 S \* 5/2004 Graves ..... D8/367
- D505,274 S \* 5/2005 Lai ..... D6/323
- D505,613 S \* 5/2005 Sato ..... D8/367
- D510,014 S \* 9/2005 Sung ..... D8/367
- D543,709 S \* 6/2007 Krumpke ..... D6/323

(Continued)

*Primary Examiner* — Cynthia R Underwood  
(74) *Attorney, Agent, or Firm* — ScienBiziP, P.C.

(57) **CLAIM**

The ornamental design for a hook, as shown and described.

**DESCRIPTION**

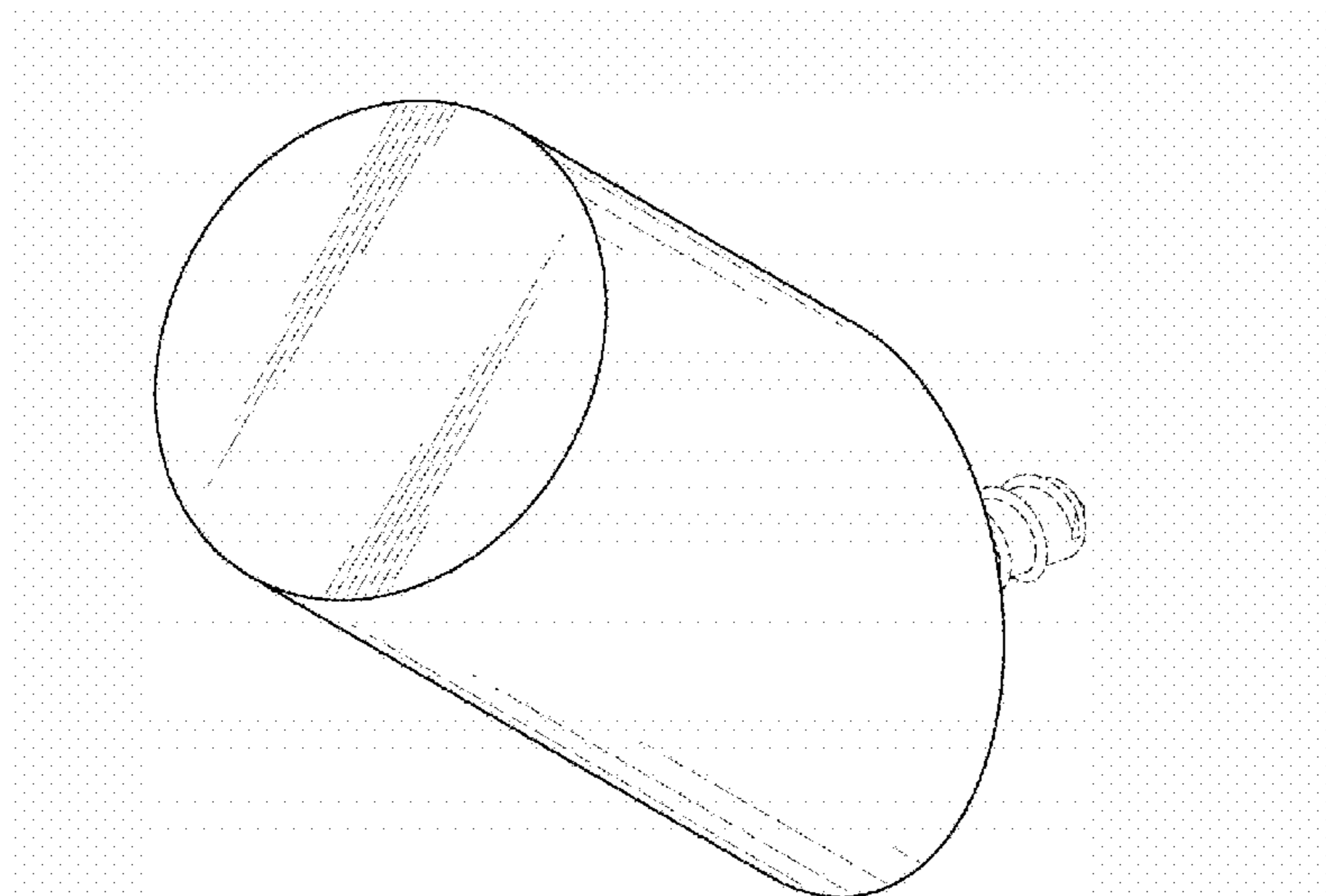
FIG. 1 is a first perspective view of a hook showing the claimed new design;  
 FIG. 2 is a second perspective view thereof;  
 FIG. 3 is a front elevation view thereof;  
 FIG. 4 is a rear elevation view thereof.  
 FIG. 5 is a left side elevation view thereof;  
 FIG. 6 is a right side elevation view thereof;  
 FIG. 7 is a top plan view thereof;  
 FIG. 8 is a bottom plan view thereof; and,  
 FIG. 9 is a perspective view of the hook in an environment in which it may be used.  
 The broken lines adjacent to the claimed portions are boundaries, all other broken lines are environmental structures, and all the broken lines form no part of the claimed design.

**1 Claim, 9 Drawing Sheets**

(56) **References Cited**

**U.S. PATENT DOCUMENTS**

- 1,601,160 A \* 9/1926 Busch ..... E05B 1/0015  
16/417
- D79,773 S \* 10/1929 Warner et al. .... D6/323
- 1,755,301 A \* 4/1930 McCullough ..... E05B 1/0015  
16/417
- 2,275,007 A \* 3/1942 Caestecker ..... A47G 25/0607  
248/205.1
- D144,010 S \* 2/1946 Van Doren ..... D6/323
- D244,857 S \* 6/1977 Hayes ..... D24/166
- D281,838 S \* 12/1985 Thompson ..... D6/323
- D304,545 S \* 11/1989 Hurrelbrink ..... D8/373
- D314,501 S \* 2/1991 Pagano ..... 248/183.1
- D318,904 S \* 8/1991 Hartkopf ..... D23/252



(56)

References Cited

U.S. PATENT DOCUMENTS

D548,983 S *	8/2007	Krumpe	.....	D6/323	D769,702 S *	10/2016	Kuniyoshi	.....	D8/367
D550,546 S *	9/2007	Sato	.....	D8/373	D772,043 S *	11/2016	Forrest	.....	D8/367
D555,365 S *	11/2007	Berberet	.....	D6/323	D792,133 S *	7/2017	Schwalbach	.....	D6/682.3
D609,515 S *	2/2010	Krumpe	.....	D6/524	D793,779 S *	8/2017	Van Lanningham, Jr.	.....	D6/682.1
D637,823 S *	5/2011	Sakuma	.....	D6/320	D798,636 S *	10/2017	Van Lanningham, Jr.	.....	D6/677.4
D641,229 S *	7/2011	Qiblawi	.....	D8/367	D799,944 S *	10/2017	Sullivan	.....	D8/367
D645,047 S *	9/2011	Wike	.....	D14/447	D803,033 S *	11/2017	Tsai	.....	D8/367
D666,445 S *	9/2012	Tharp	.....	D6/567	D807,611 S *	1/2018	Almarales	.....	D2/642
D680,783 S *	4/2013	Chang	.....	D6/550	D824,895 S *	8/2018	Tivnon	.....	D14/314
D699,970 S *	2/2014	Sedwick	.....	D6/524	D827,422 S *	9/2018	Kundig	.....	D8/382
8,740,171 B2 *	6/2014	Crescenzo	.....	A47G 1/17 248/475.1	D831,640 S *	10/2018	Tivnon	.....	D14/314
D720,986 S *	1/2015	Citterio	.....	D3/260	D841,373 S *	2/2019	Akana	.....	D6/677
D733,967 S *	7/2015	Schlatter	.....	D28/85	10,206,522 B2 *	2/2019	Yang	.....	E05B 73/0082
D741,093 S *	10/2015	McKinney	.....	D6/677	2006/0198692 A1 *	9/2006	Petit	.....	A45D 33/025 401/266
D744,621 S *	12/2015	Shavatt	.....	D23/304	2012/0280810 A1 *	11/2012	Wheeler	.....	G08B 13/1445 340/539.11
D746,664 S *	1/2016	Najieb	.....	D23/411	2014/0106608 A1 *	4/2014	Howarth	.....	F16M 13/02 439/531
D750,390 S *	3/2016	Bahler	.....	D6/323	2018/0228305 A1 *	8/2018	Fastermann	.....	F16B 11/006
D756,152 S *	5/2016	Schwalbach	.....	D6/677.4					
D759,469 S *	6/2016	Garland	.....	D8/367					

\* cited by examiner

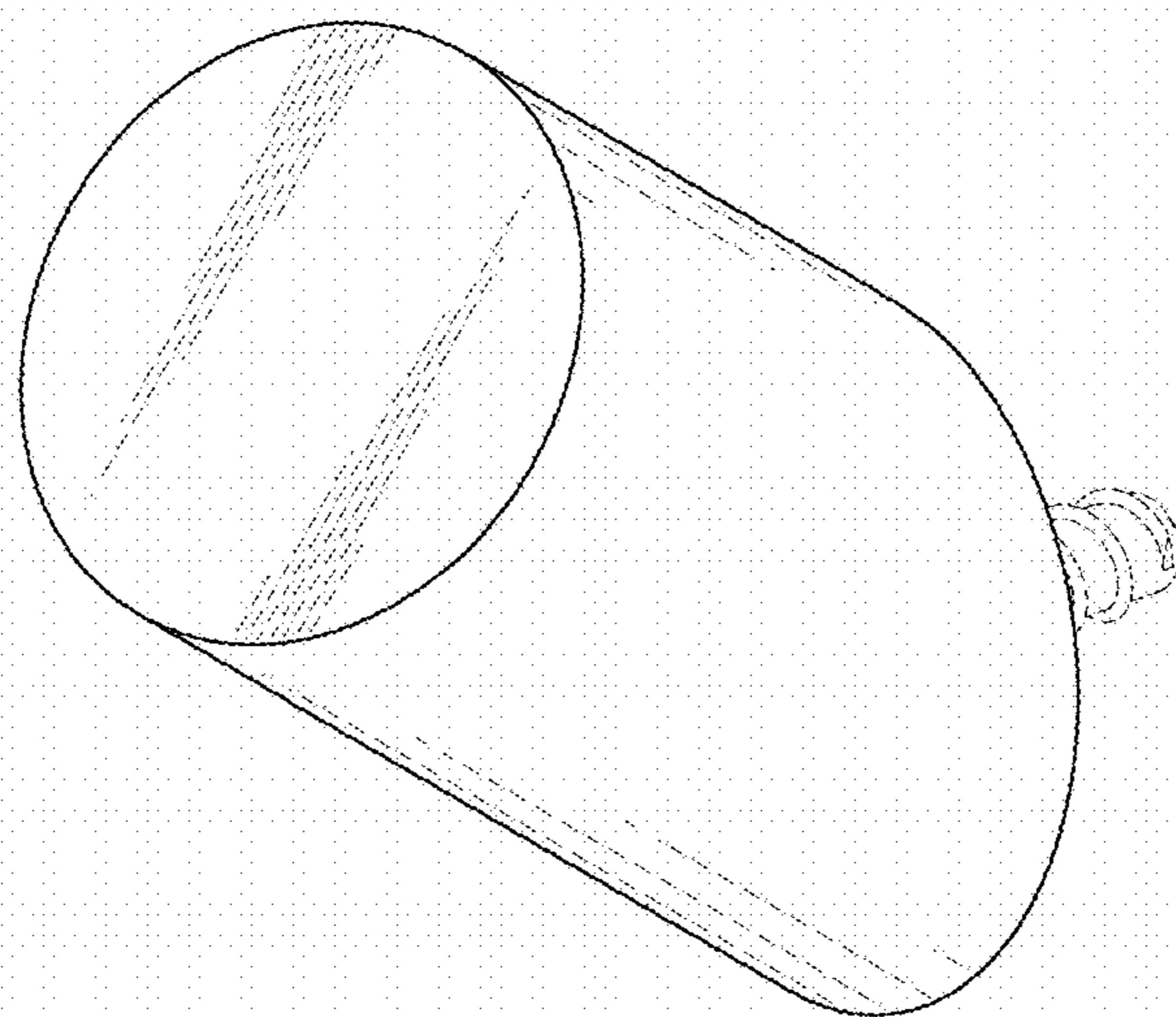


FIG. 1



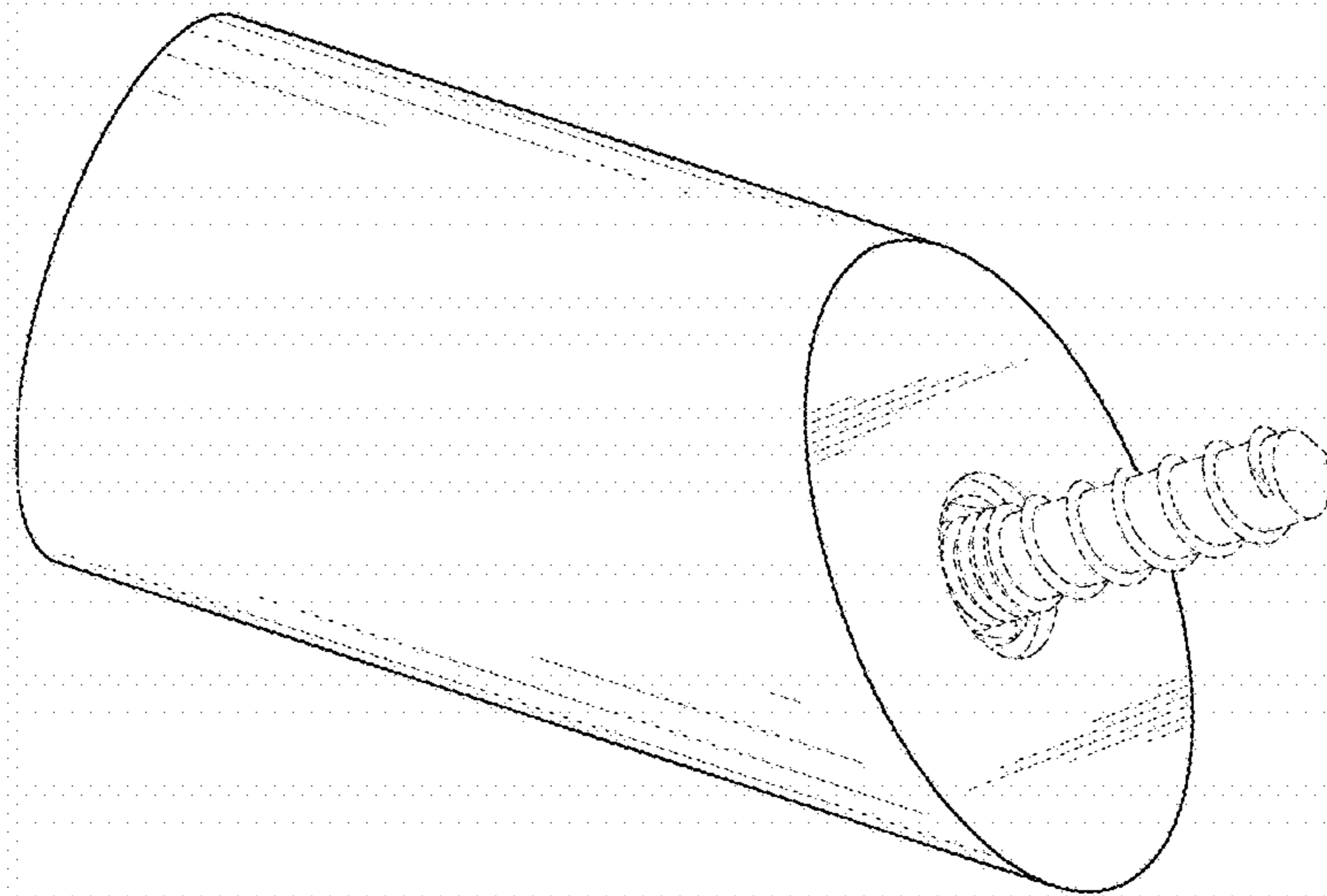


FIG. 2

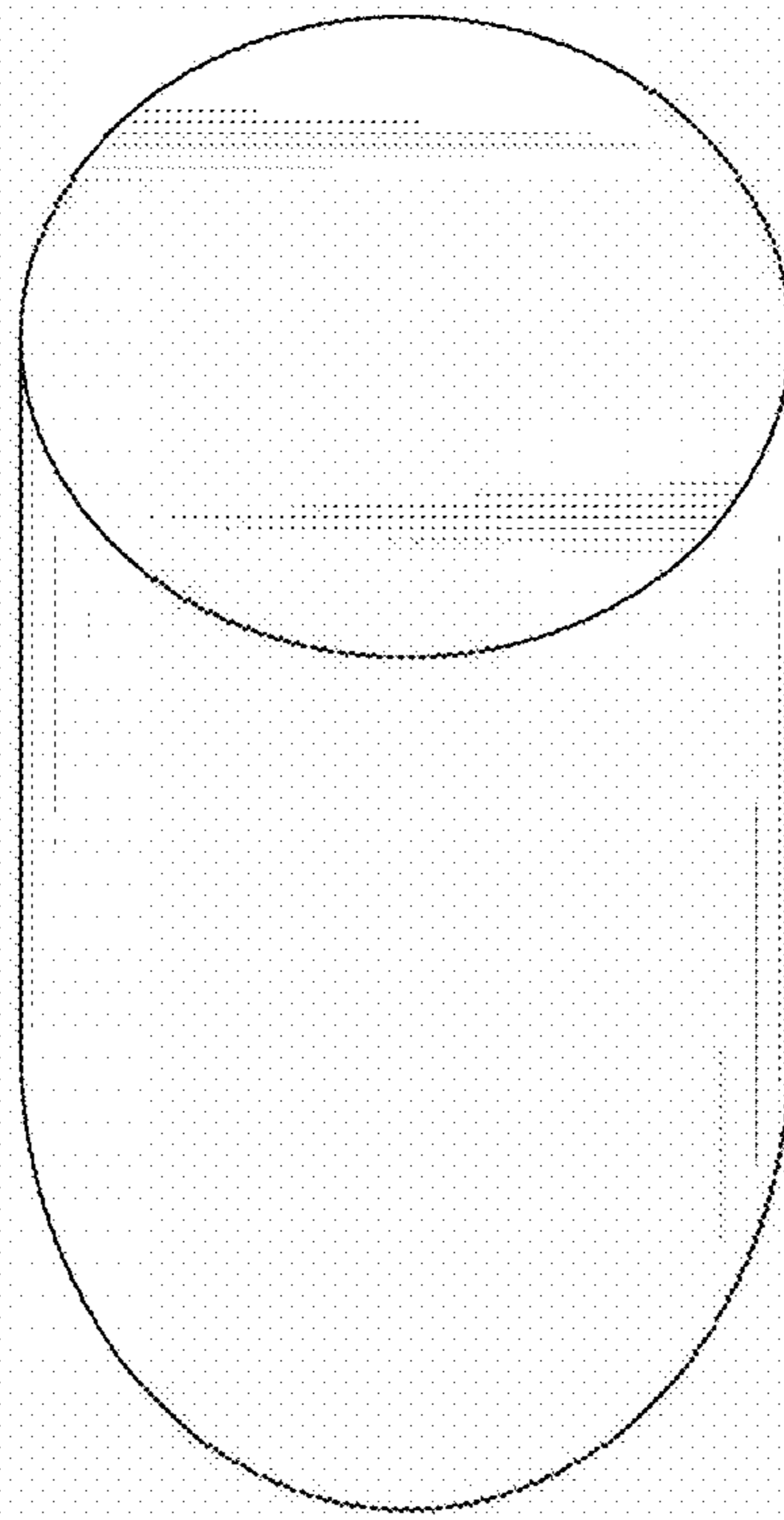


FIG. 3

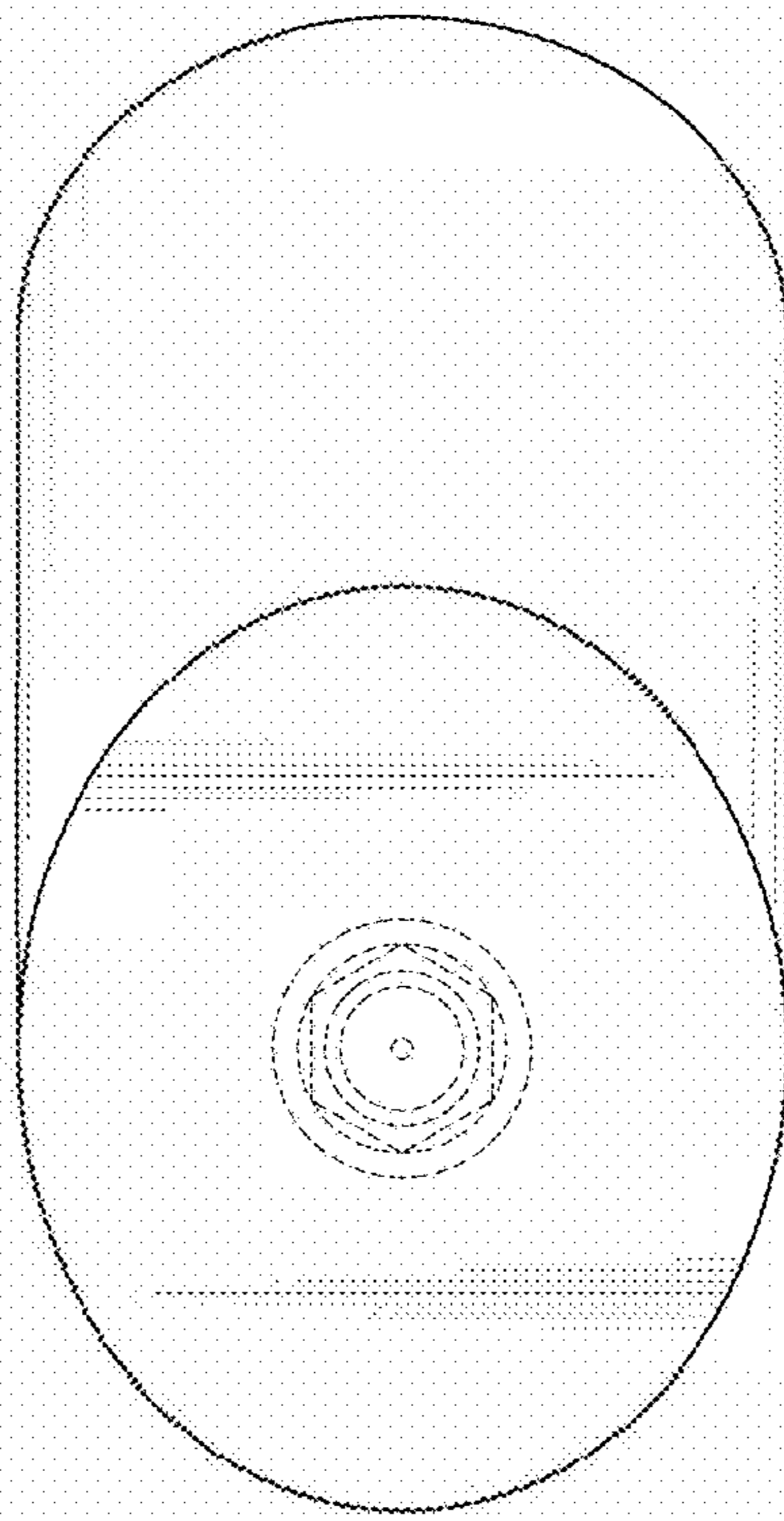


FIG. 4



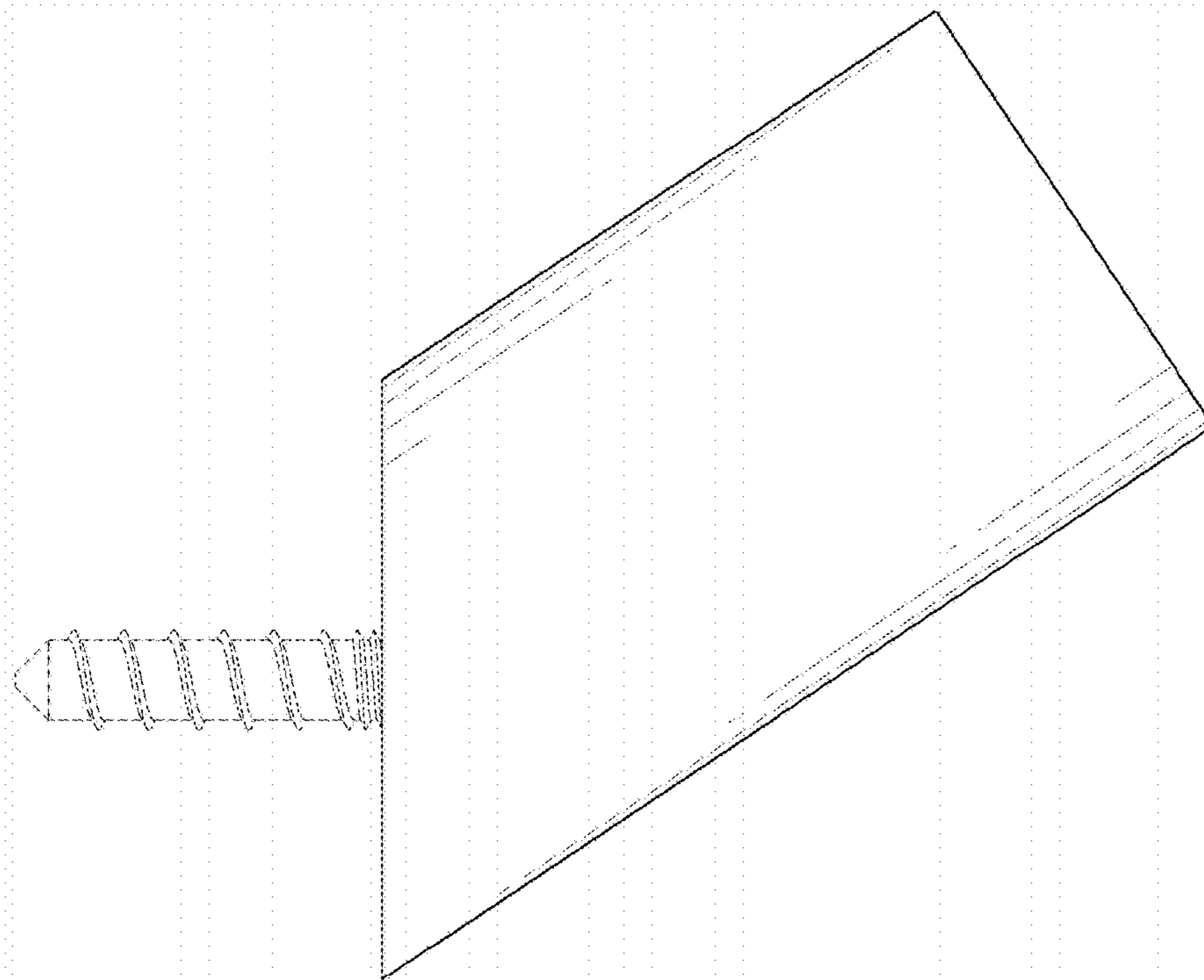


FIG. 5

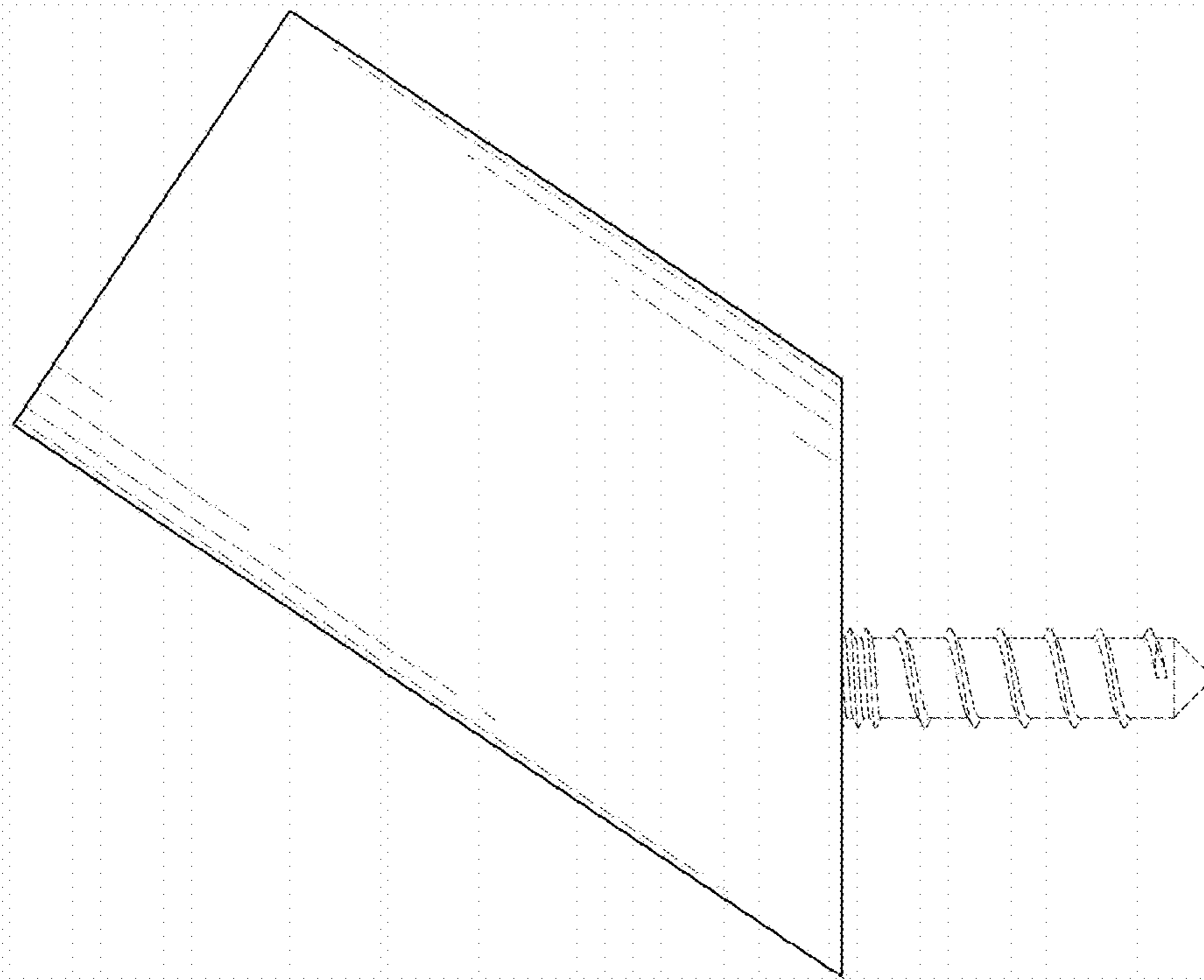


FIG. 6



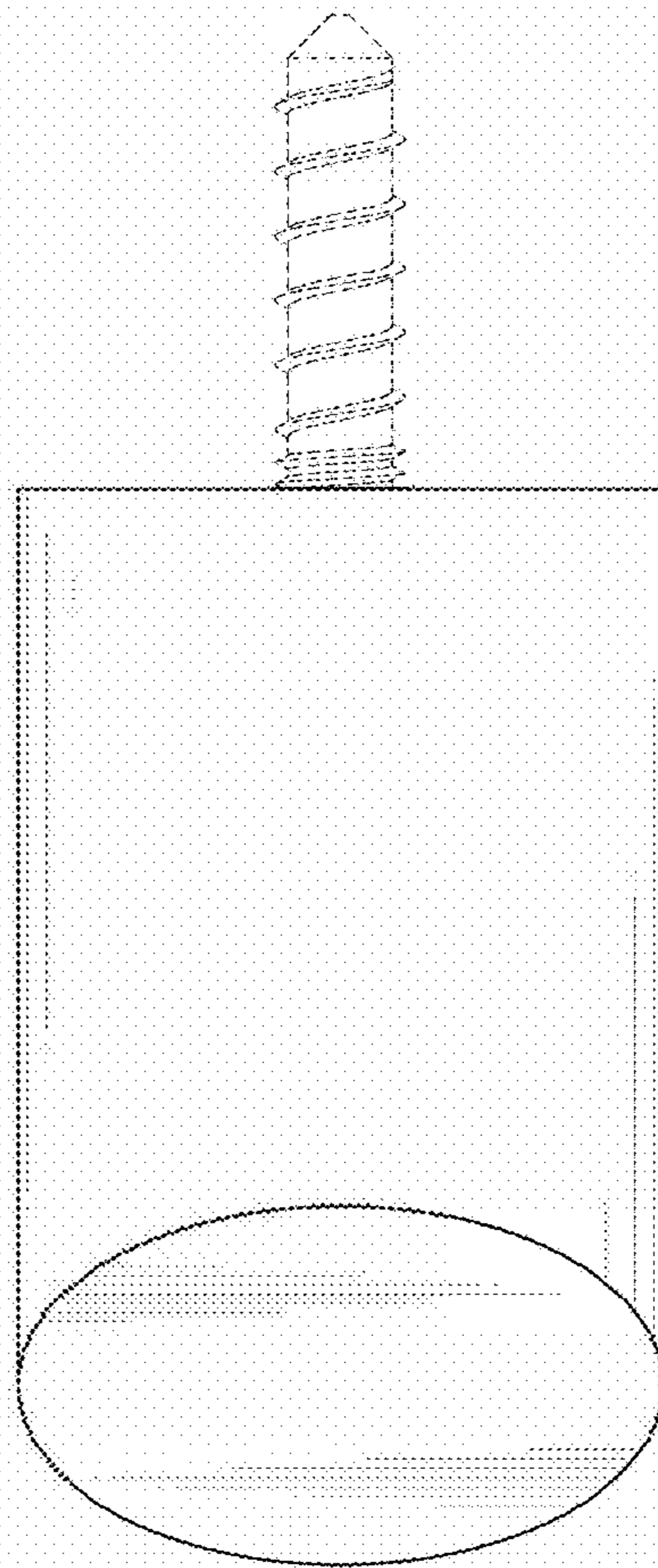


FIG. 7

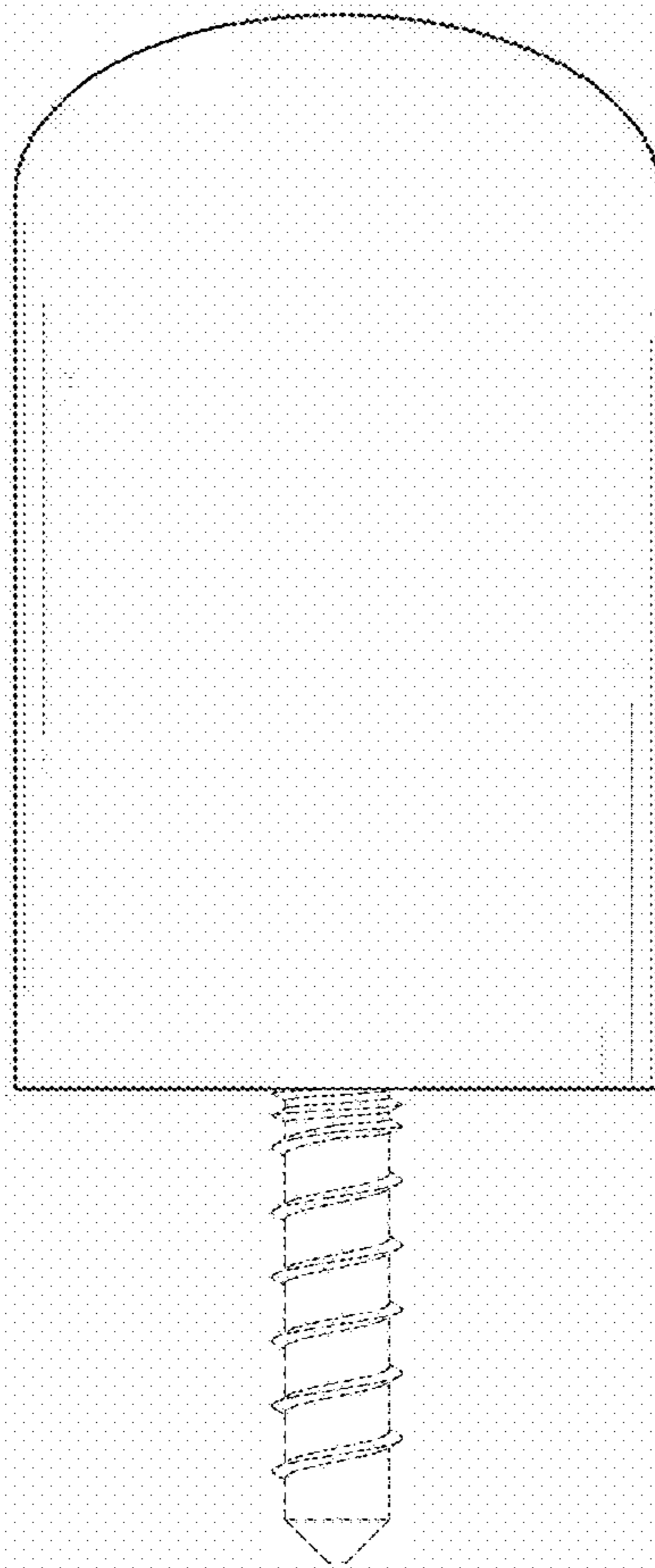


FIG. 8

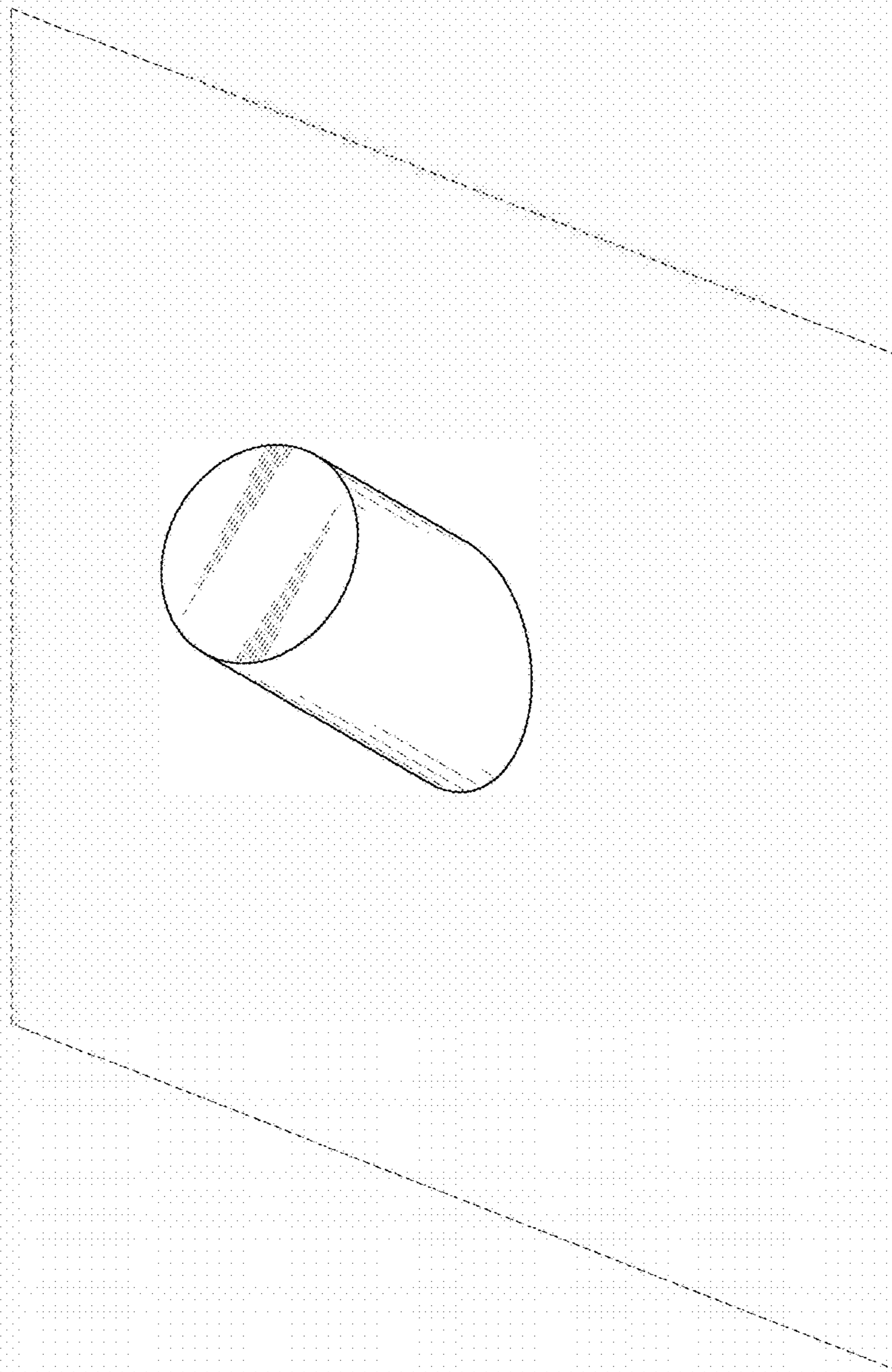


FIG. 9