

US00D864809S

(12) **United States Design Patent**
Puddu et al.

(10) **Patent No.:** **US D864,809 S**
(45) **Date of Patent:** **** Oct. 29, 2019**

(54) **DISC BRAKE CALIPER**
(71) Applicant: **Freni Brembo S.p.A.**, Curno (IT)
(72) Inventors: **Armando Puddu**, Curno (IT); **Diego Comito**, Curno (IT)
(73) Assignee: **Freni Brembo S.p.A.**, Curno, Bergmano (IT)

8,376,101 B2 * 2/2013 Crippa F16D 65/18
188/370
9,278,498 B2 * 3/2016 Collura B32B 3/06
9,388,870 B2 * 7/2016 Cesani F16D 65/18
D790,417 S * 6/2017 Bertone D12/180
D805,012 S * 12/2017 Crippa D12/180
D812,534 S * 3/2018 Scheibe D12/180
D813,125 S * 3/2018 Crippa D12/180
D815,000 S * 4/2018 Igawa D12/180
D816,002 S * 4/2018 Crippa D12/180
10,066,686 B2 * 9/2018 Huang F16D 55/227

(Continued)

(**) Term: **15 Years**

Primary Examiner — Kevin K Rudzinski

(21) Appl. No.: **29/622,119**

(74) *Attorney, Agent, or Firm* — Marshall & Melhorn, LLC

(22) Filed: **Oct. 13, 2017**

(57) **CLAIM**

(30) **Foreign Application Priority Data**

The ornamental design for a disc brake caliper, as shown and described.

Apr. 13, 2017 (IT) 402017000041476

DESCRIPTION

(51) **LOC (12) Cl.** **12-16**

(52) **U.S. Cl.**
USPC **D12/180**

(58) **Field of Classification Search**
USPC D12/180
CPC F16D 55/22
See application file for complete search history.

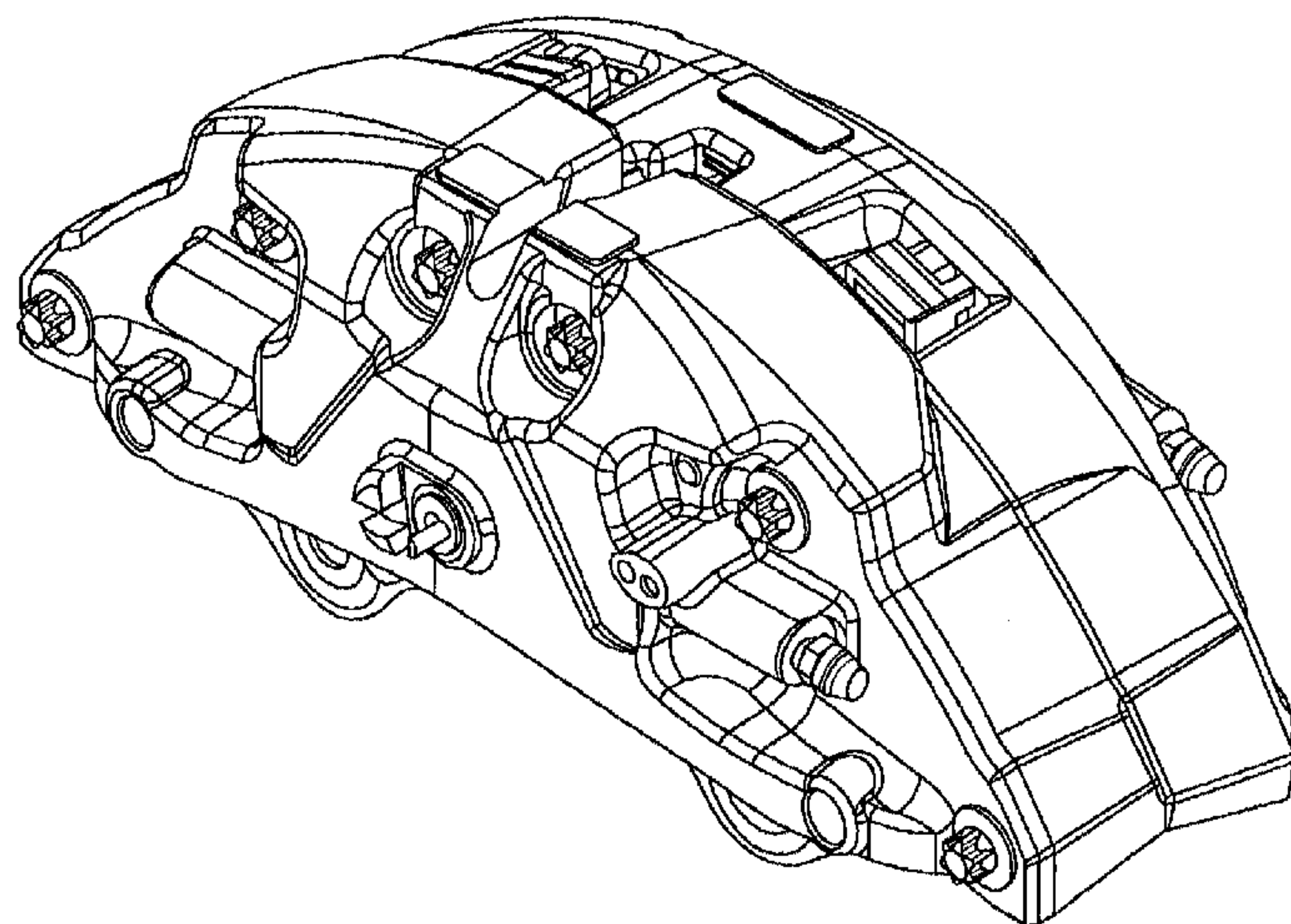
FIG. 1 is a front perspective view from one direction showing our new disc brake caliper;
FIG. 2 is a front perspective view from a direction opposite that shown in FIG. 1 showing our new disc brake caliper;
FIG. 3 is a rear perspective view from one direction showing our new disc brake caliper;
FIG. 4 is a rear perspective view from a direction opposite that shown in FIG. 3 showing our new disc brake caliper;
FIG. 5 is an end elevation view of our new disc brake caliper;
FIG. 6 is an end elevation view of our new disc brake caliper from an end opposite that of FIG. 5;
FIG. 7 is a side elevation view of our new disc brake caliper;
FIG. 8 is a side elevation view of our new disc brake caliper from an end opposite that of FIG. 7;
FIG. 9 is a bottom plan view of our new disc brake caliper;
and,
FIG. 10 is a top plan view of our new disc brake caliper.

(56) **References Cited**

U.S. PATENT DOCUMENTS

D442,900 S * 5/2001 Separautzki D12/180
6,708,802 B2 * 3/2004 Stahl F16D 55/227
188/71.1
D506,714 S * 6/2005 Ono D12/180
D522,421 S * 6/2006 Crippa D12/180
D588,513 S * 3/2009 Crippa D12/180
D610,059 S * 2/2010 Azimonti D12/180
D619,063 S * 7/2010 Veneziano D12/180
D642,100 S * 7/2011 Crippa D12/180
8,276,718 B2 * 10/2012 Bach F16D 55/226
188/71.1

1 Claim, 10 Drawing Sheets



(56)

References Cited

U.S. PATENT DOCUMENTS

D837,704 S * 1/2019 Huang D12/180
2005/0161290 A1 * 7/2005 Donadoni F16D 66/021
188/1.11 L
2005/0258008 A1 * 11/2005 King F16D 65/00
188/264 R
2007/0278049 A1 * 12/2007 Kobayashi F16D 55/228
188/73.39
2013/0213747 A1 * 8/2013 Scotti F16D 55/228
188/73.31
2015/0021124 A1 * 1/2015 Preda F16D 55/228
188/71.6
2015/0021125 A1 * 1/2015 Nessi F16D 55/228
188/72.5
2015/0027821 A1 * 1/2015 Nessi F16D 55/224
188/72.3
2015/0027822 A1 * 1/2015 Cerutti F16D 55/228
188/73.47
2017/0037916 A1 * 2/2017 Crippa F16D 65/0977

* cited by examiner

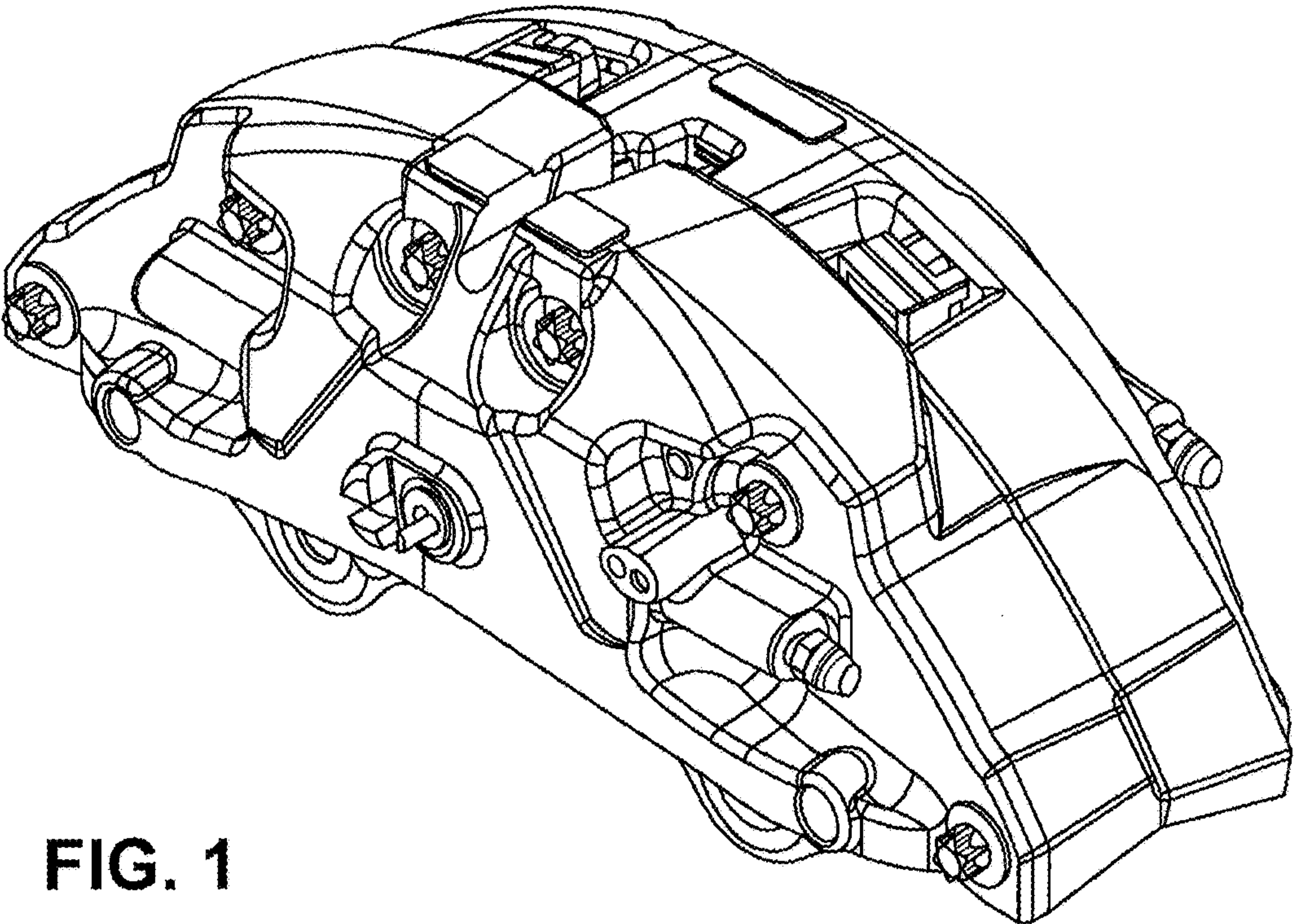


FIG. 1

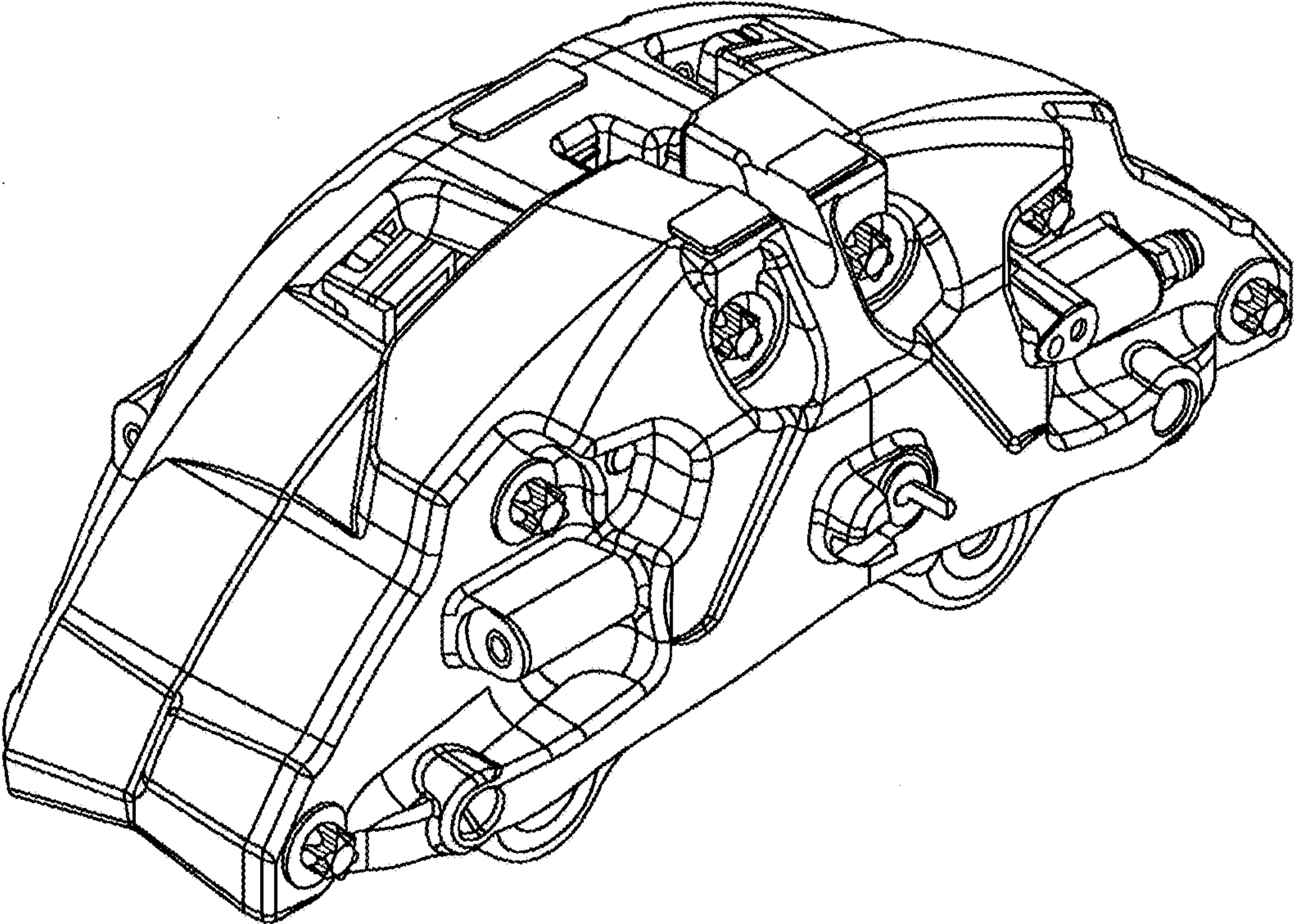


FIG. 2

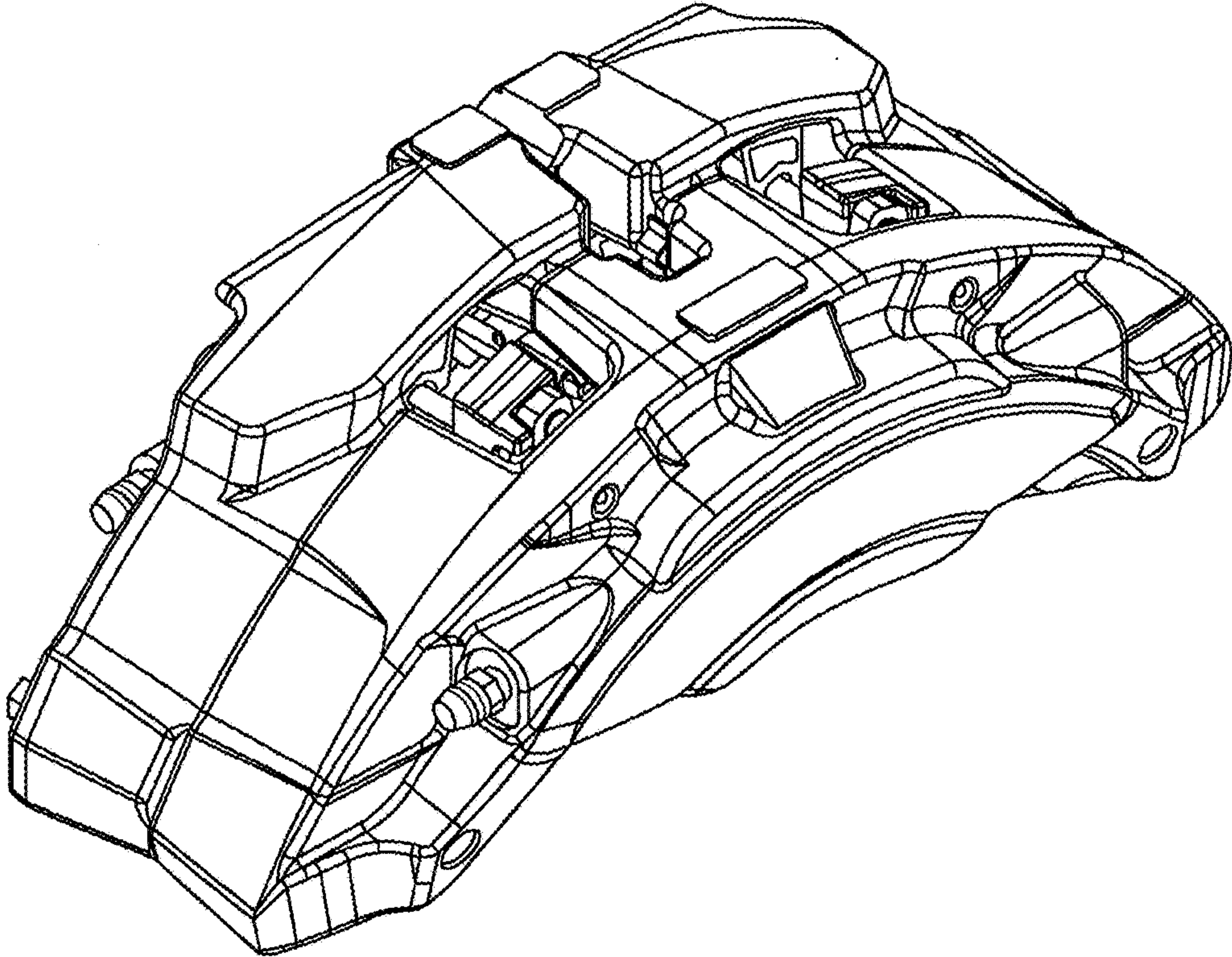


FIG. 3

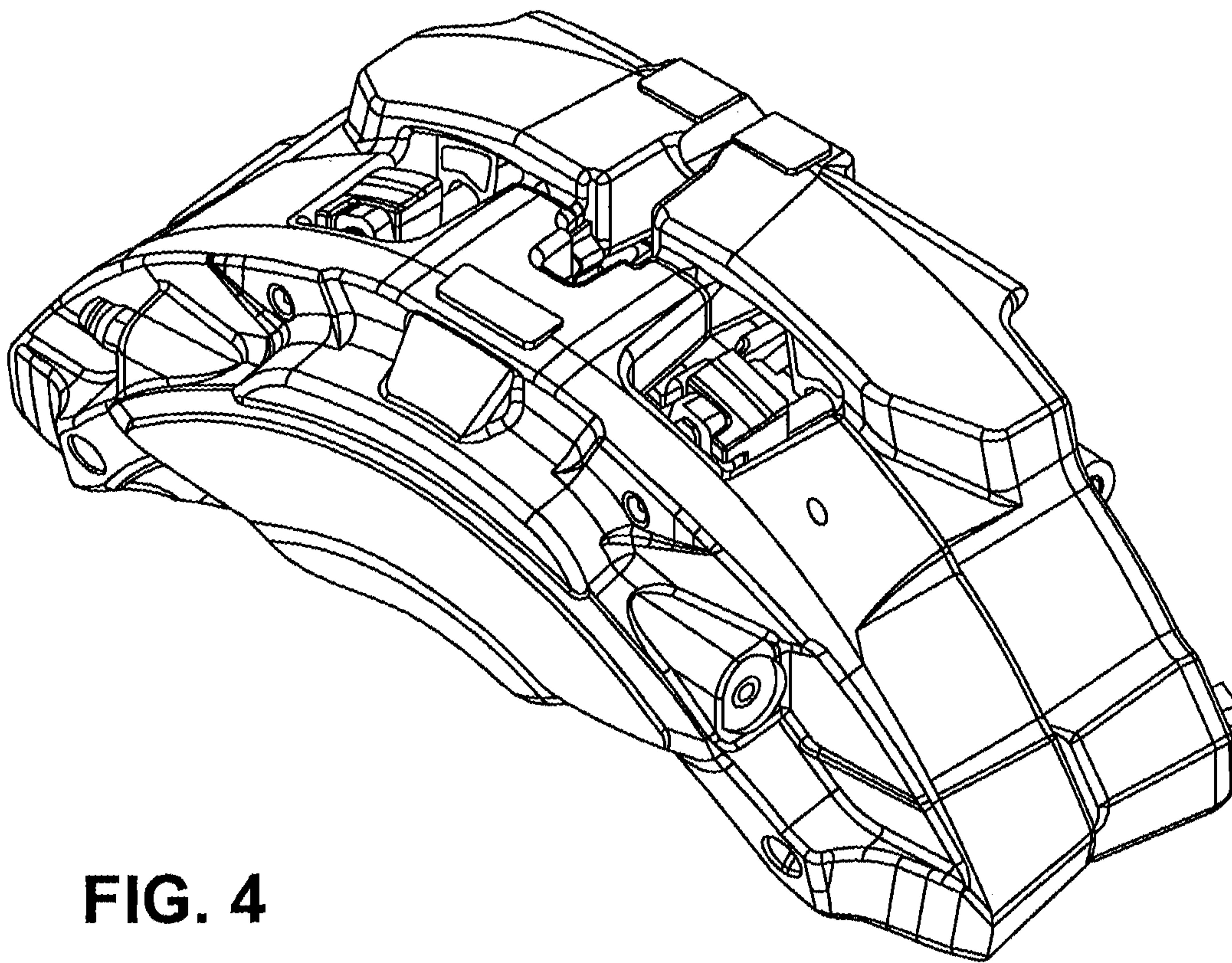


FIG. 4

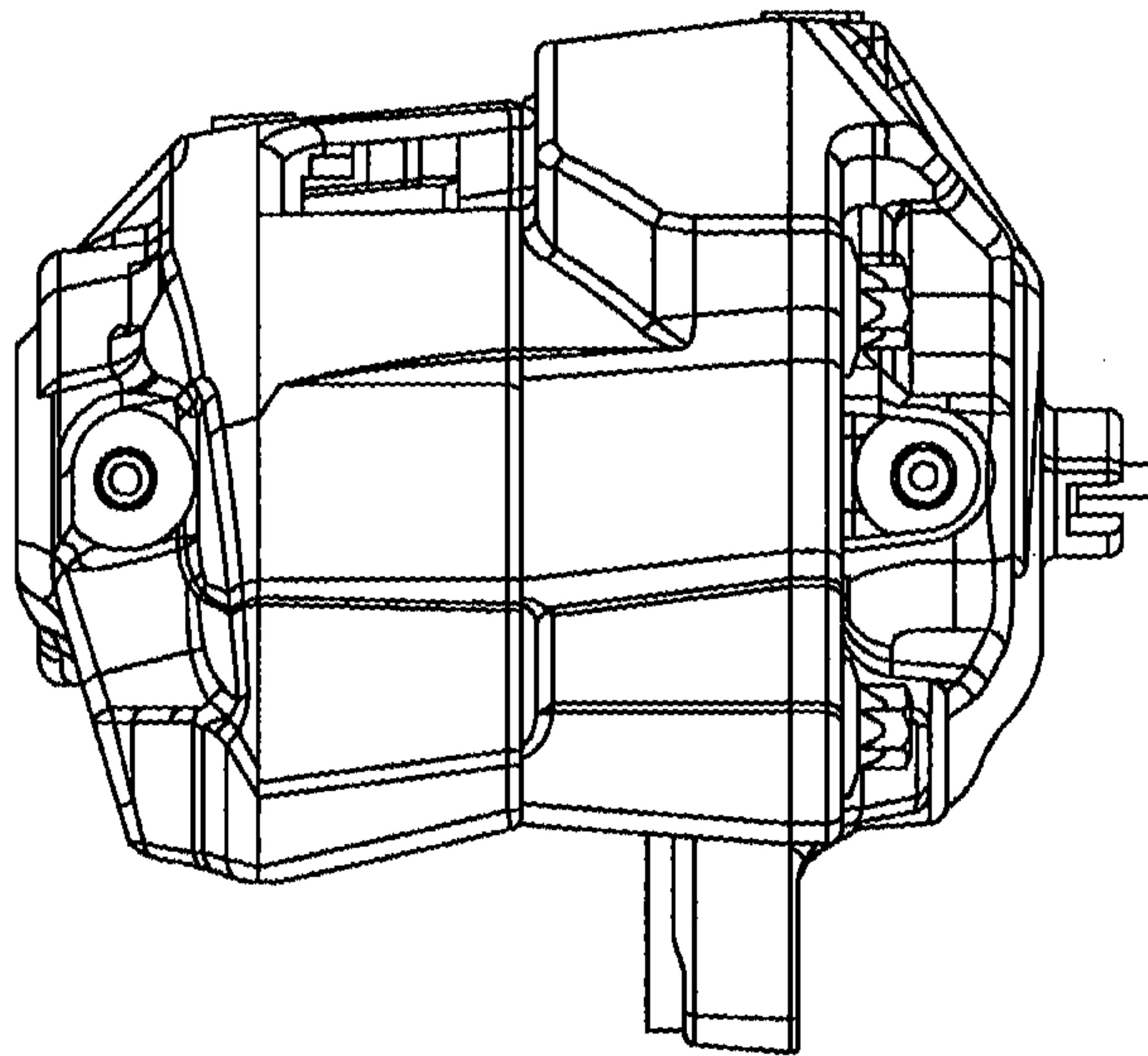


FIG. 5

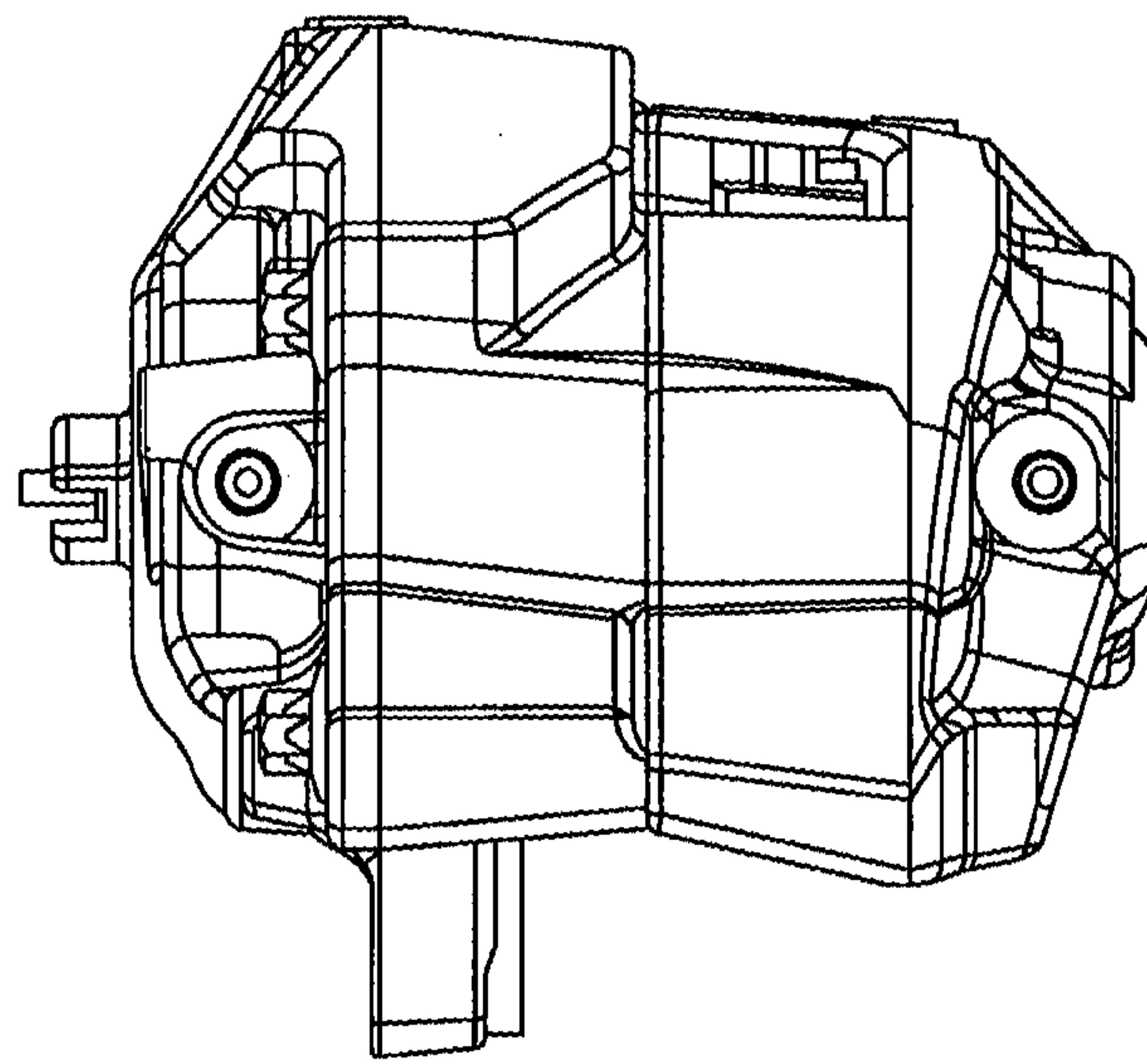


FIG. 6

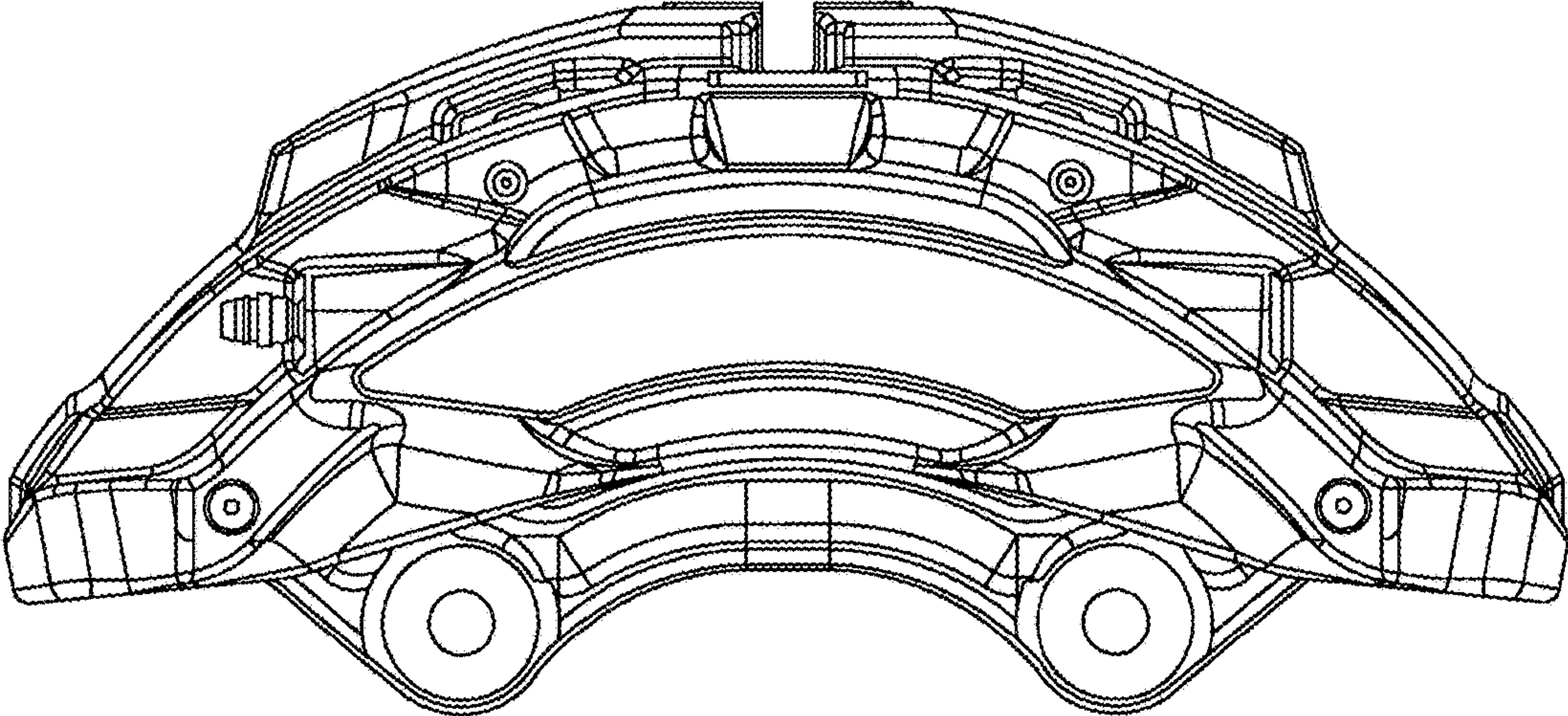


FIG. 7

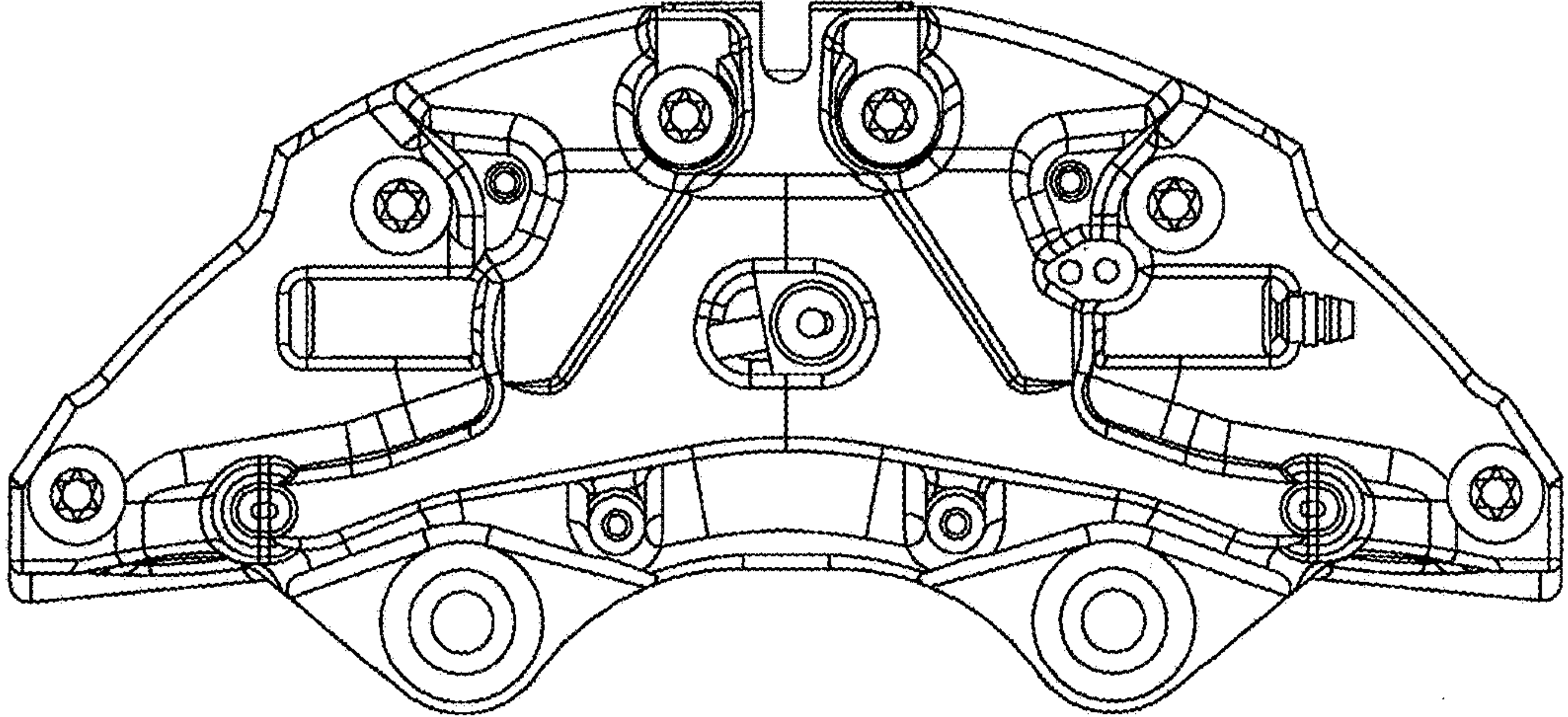


FIG. 8

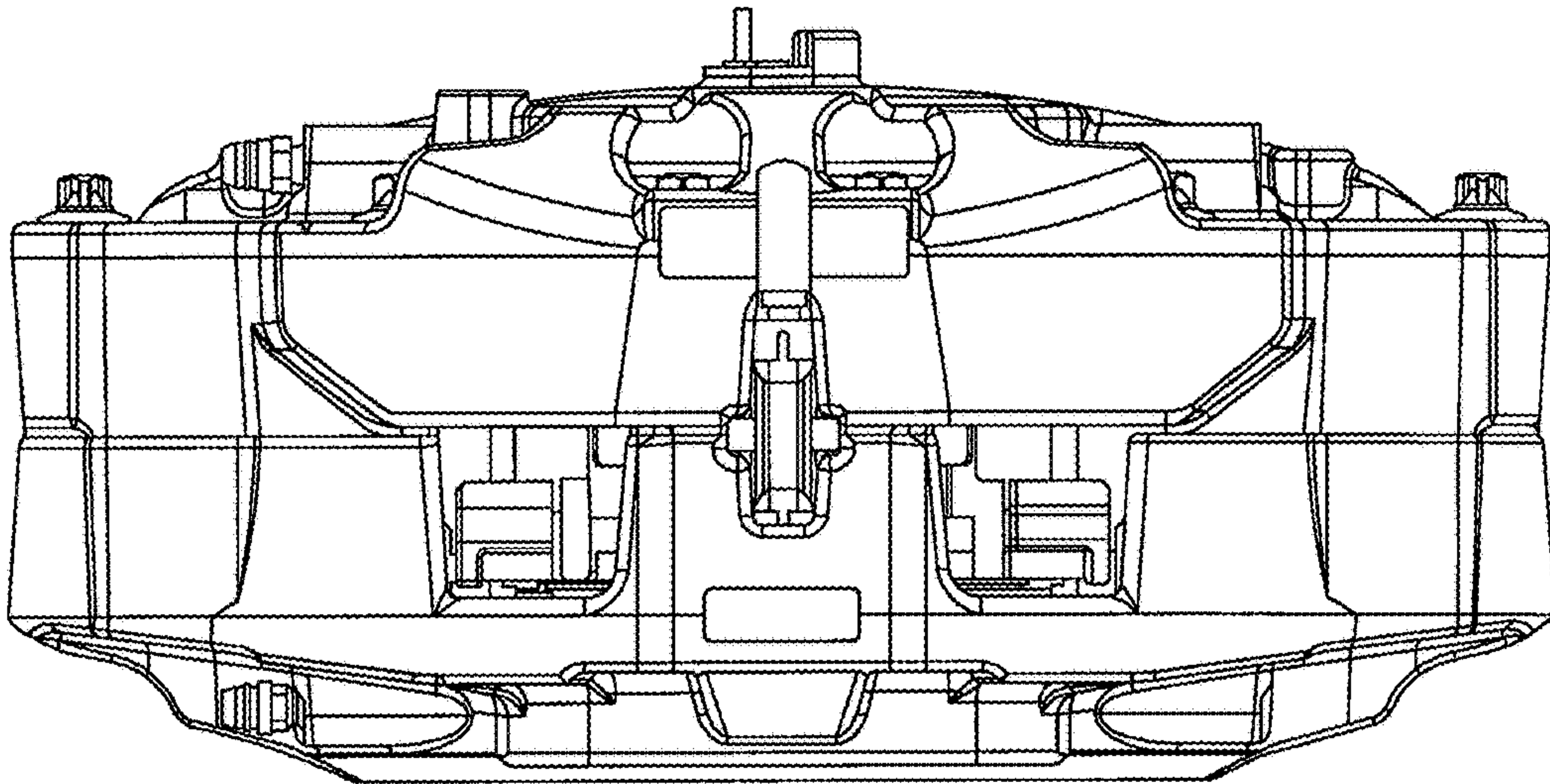


FIG. 9

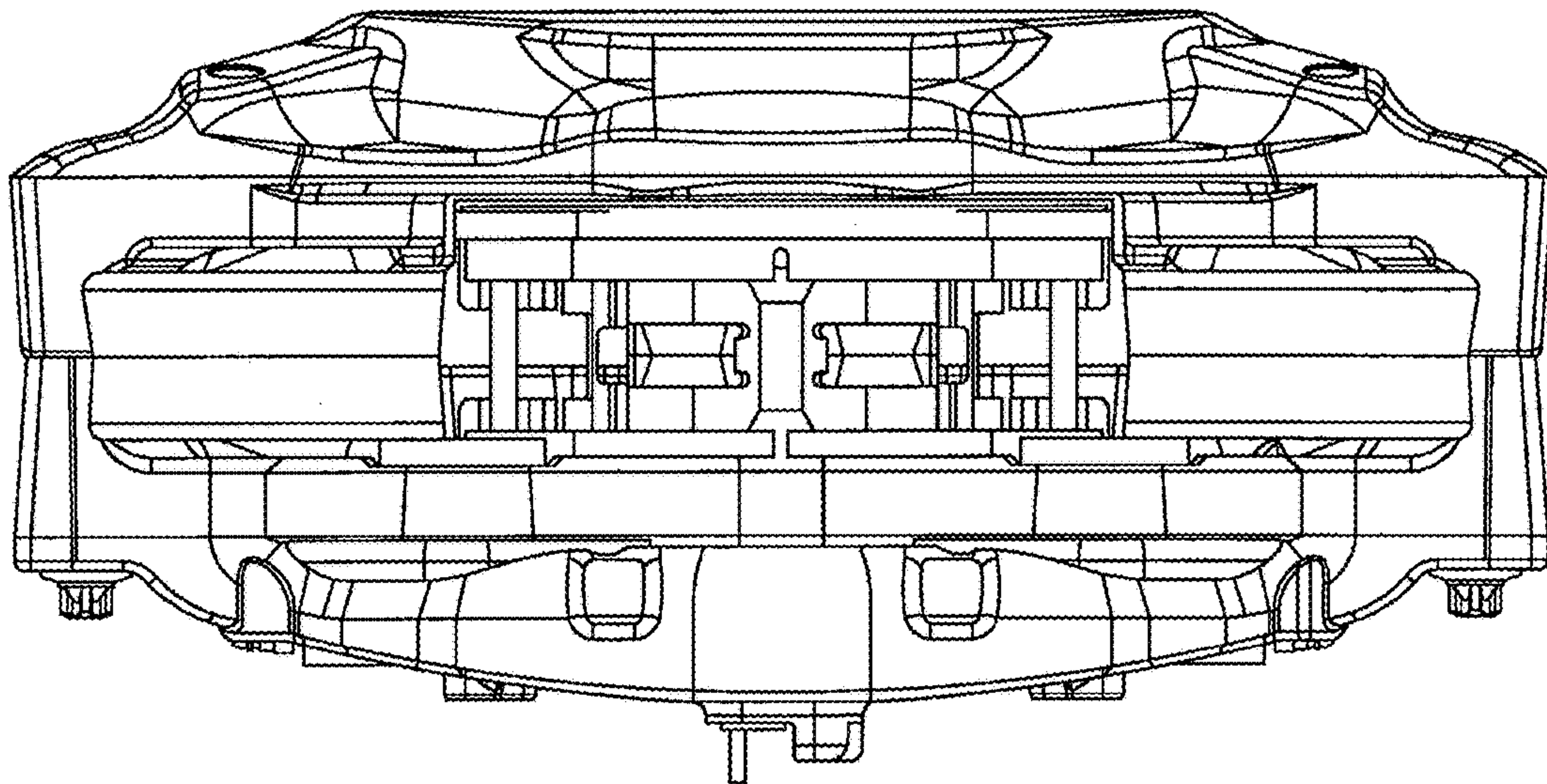


FIG. 10