



US00D620669S

(12) **United States Design Patent**
Hernandez

(10) **Patent No.:** **US D620,669 S**
(45) **Date of Patent:** **** Jul. 27, 2010**

(54) **MULTI-POSITION MECHANIC'S CREEPER**

(75) Inventor: **Hector R. Hernandez**, Fullerton, CA
(US)

(73) Assignee: **Alltrade Tools, LLC**, Long Beach, CA
(US)

(**) Term: **14 Years**

(21) Appl. No.: **29/353,240**

(22) Filed: **Jan. 5, 2010**

Related U.S. Application Data

(63) Continuation of application No. 29/306,901, filed on Apr. 18, 2008, now Pat. No. Des. 608,072, which is a continuation of application No. 29/281,587, filed on Jun. 26, 2007, now Pat. No. Des. 573,324, which is a continuation of application No. 29/263,110, filed on Jul. 17, 2006, now Pat. No. Des. 547,517.

(51) **LOC (9) Cl.** **12-02**

(52) **U.S. Cl.** **D34/23**

(58) **Field of Classification Search** D34/12-27;
280/32.5, 32.6, 79.11, 79.2, 79.7
See application file for complete search history.

(56) **References Cited**

U.S. PATENT DOCUMENTS

D351,707 S * 10/1994 Pill D34/23
6,076,838 A * 6/2000 Peterson et al. 280/32.6
D436,708 S * 1/2001 Whiteside D34/27
D489,506 S * 5/2004 Hernandez et al. D34/23
D522,209 S * 5/2006 Chipps D34/23
D527,159 S * 8/2006 Staples D34/23

D530,877 S * 10/2006 Staples D34/23
D532,177 S * 11/2006 Hernandez D34/23
D547,517 S * 7/2007 Hernandez D34/23
D573,324 S * 7/2008 Hernandez D34/23
D608,072 S * 1/2010 Hernandez D34/23

* cited by examiner

Primary Examiner—Cynthia E Ramirez

(74) *Attorney, Agent, or Firm*—Step toe & Johnson LLP

(57) **CLAIM**

The ornamental design for a multi-position mechanic's creeper, as shown and described.

DESCRIPTION

FIG. 1 is a perspective view, depicting a multi-position mechanic's creeper of the present invention;

FIG. 2 is a perspective view, depicting the underside of the multi-position mechanic's creeper of FIG. 1;

FIG. 3 is a top view, depicting the multi-position mechanic's creeper of FIG. 1;

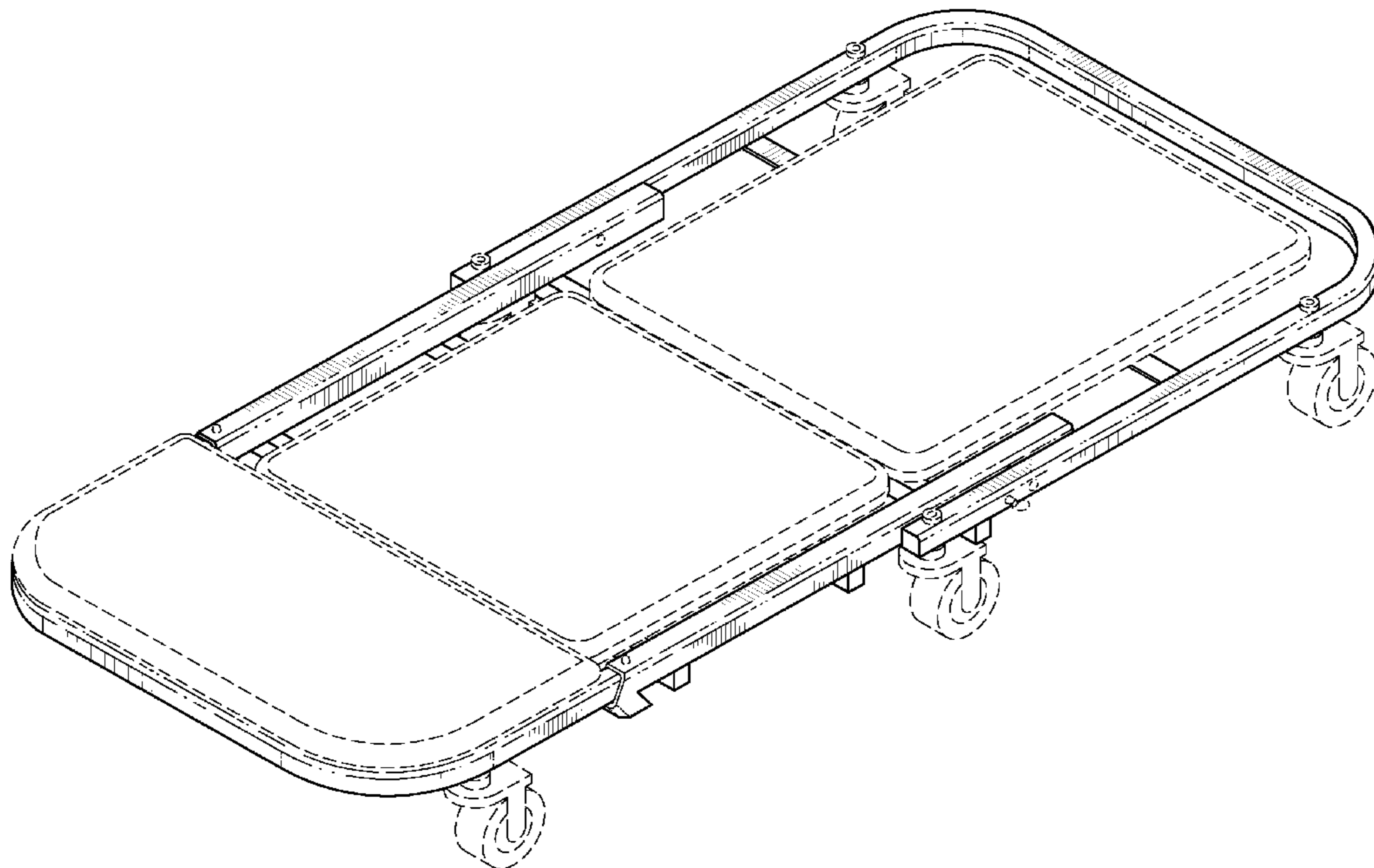
FIG. 4 is a side view, depicting the multi-position mechanic's creeper of FIG. 1;

FIG. 5 is a perspective view, depicting the multi-position mechanic's creeper of FIG. 1 in an inclined seating configuration; and,

FIG. 6 is a perspective view, depicting the multi-position mechanic's creeper of FIG. 1 in an upright seating configuration.

The broken line showing of some elements in the figures is included for the purpose of illustrating environment and forms no part of the claimed design.

1 Claim, 5 Drawing Sheets



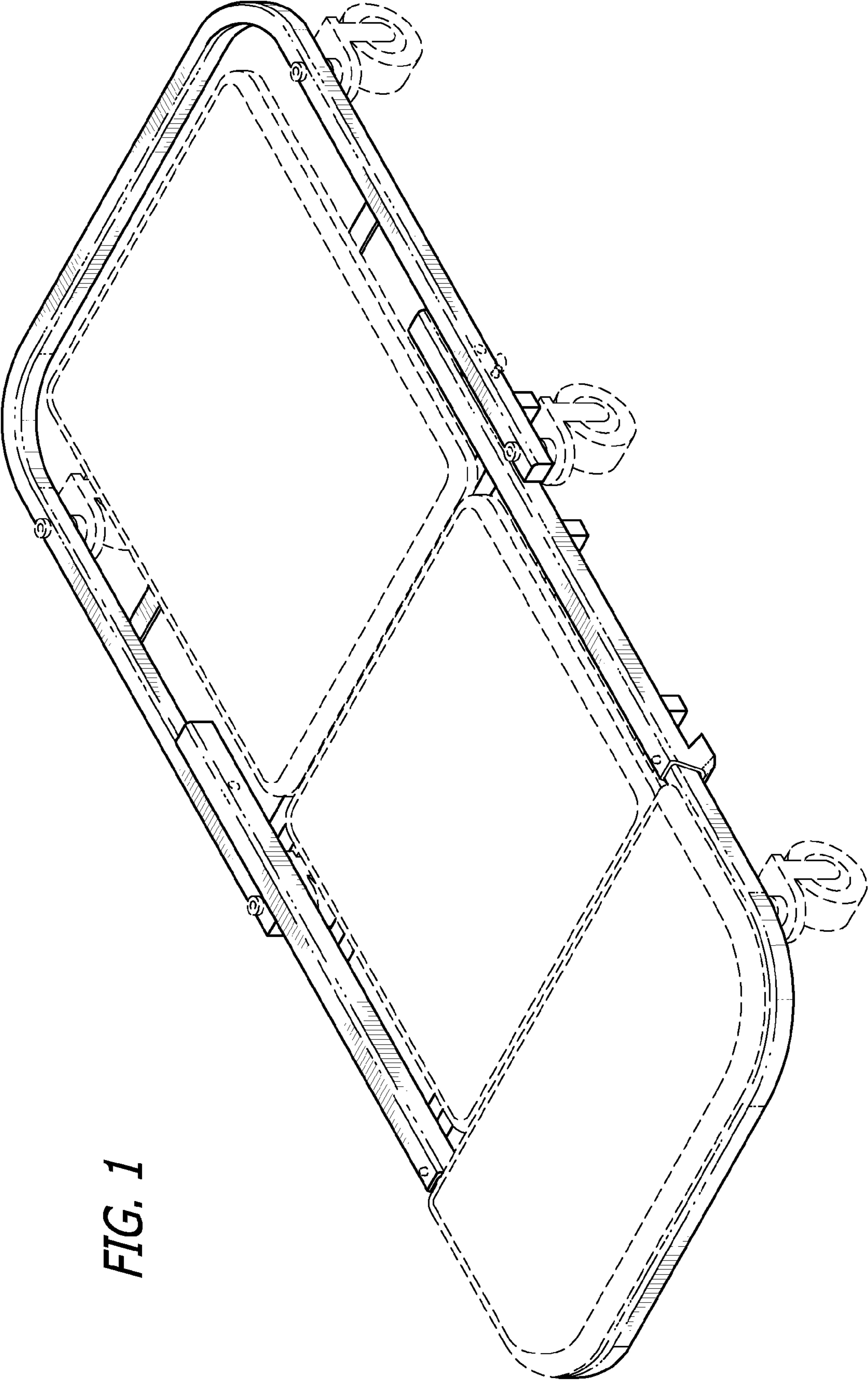


FIG. 1

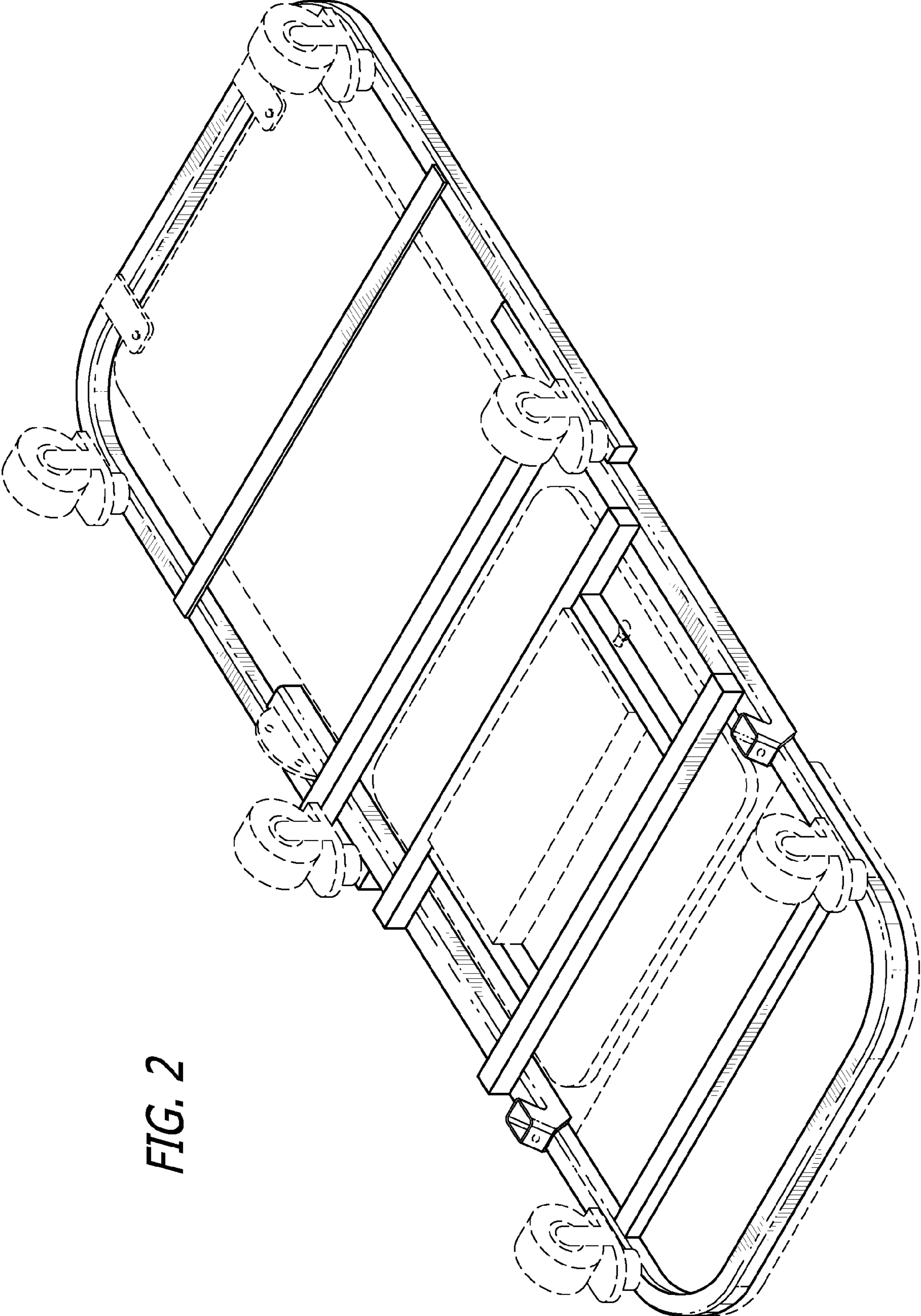


FIG. 2

FIG. 3

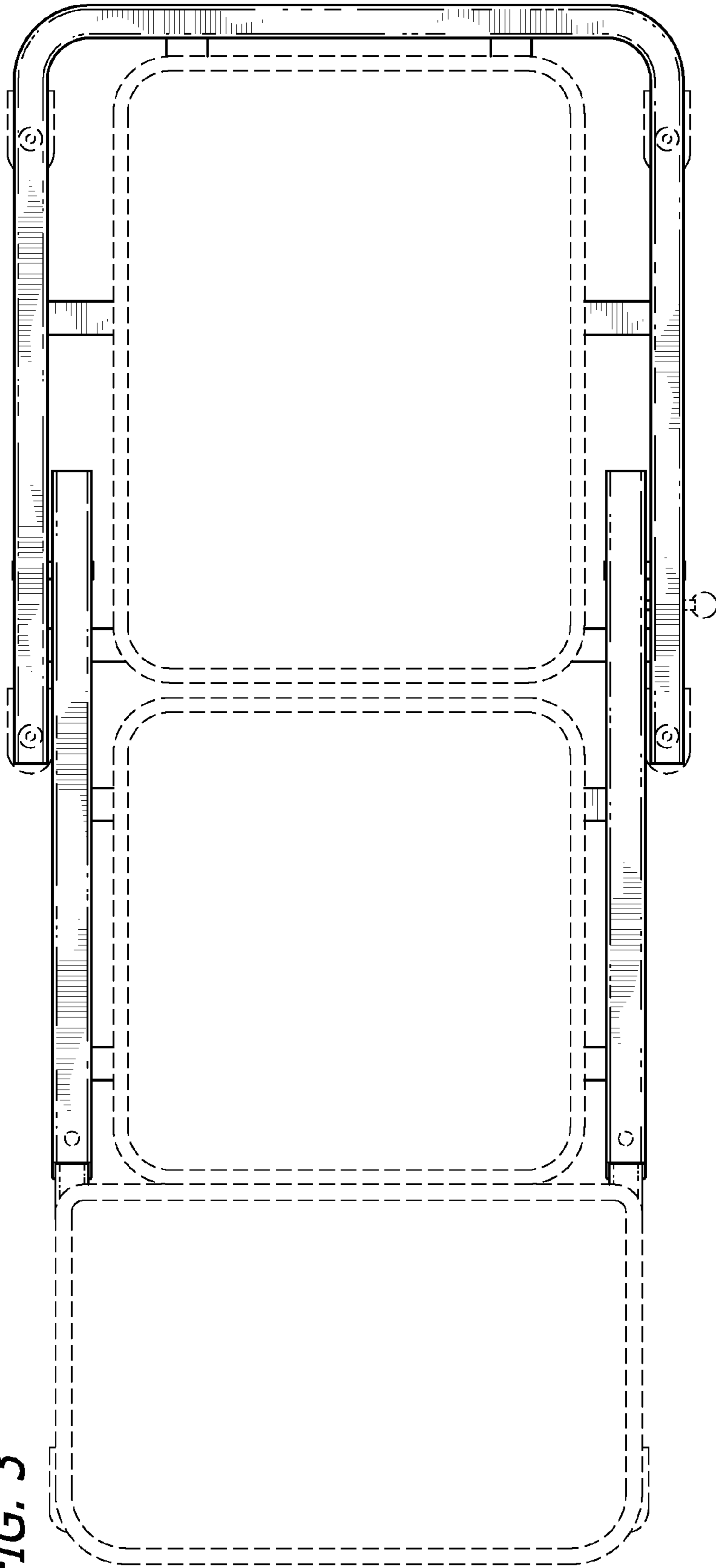
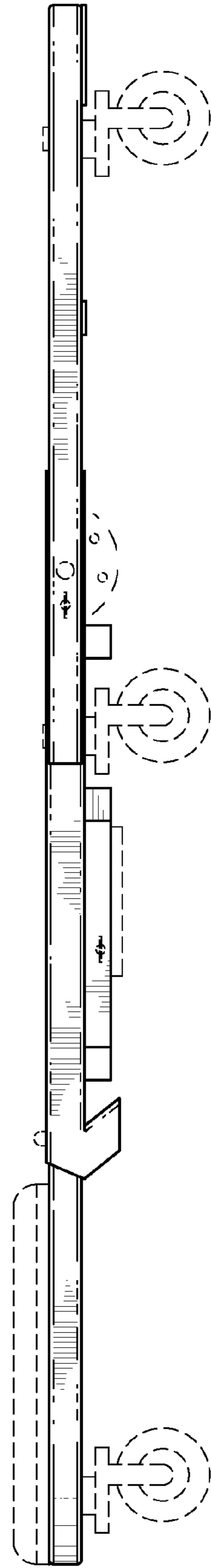


FIG. 4



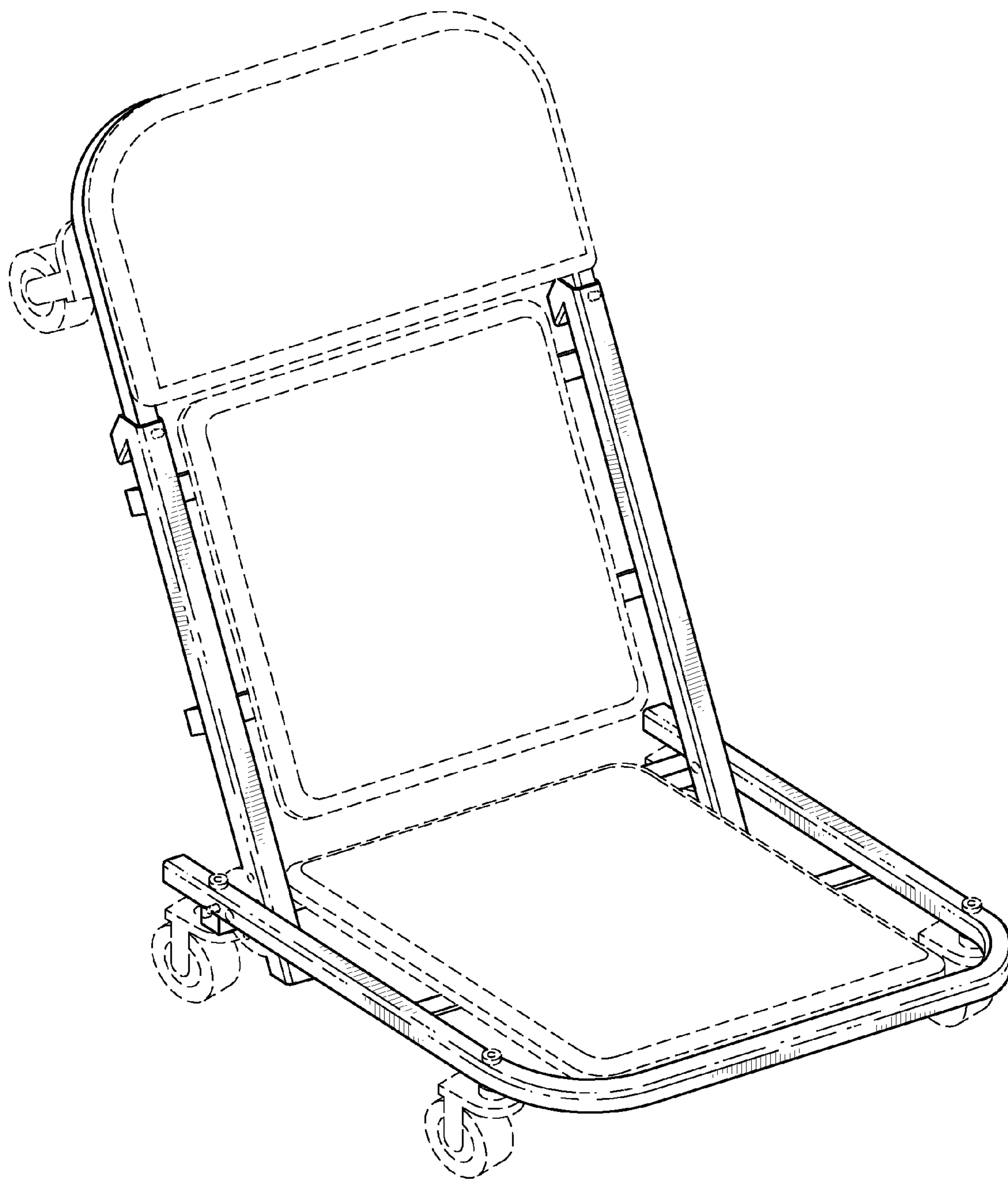


FIG. 5

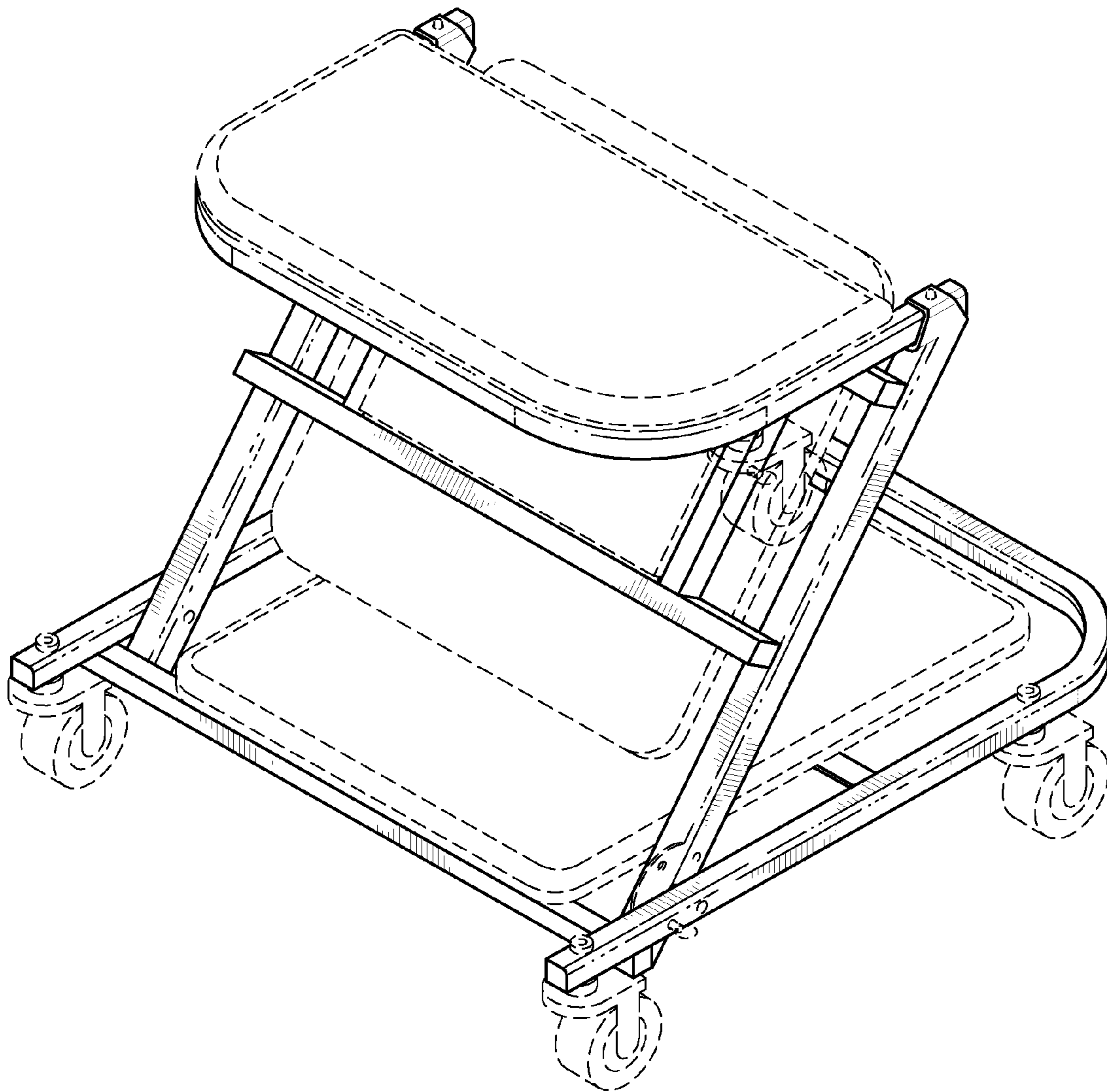


FIG. 6