



US00D589735S

(12) **United States Design Patent**  
**Kaiser et al.**

(10) **Patent No.:** **US D589,735 S**

(45) **Date of Patent:** **\*\* Apr. 7, 2009**

(54) **MULTIPURPOSE SHEET**

6,393,638 B1 \* 5/2002 MacColl ..... 5/419  
D551,891 S \* 10/2007 Kaiser et al. .... D6/603

(76) Inventors: **Kevin M. Kaiser**, 1316 Hollywood,  
Glenview, IL (US) 60025; **Jonathan M.**  
**Neff**, 1316 Hollywood, Glenview, IL  
(US) 60025

\* cited by examiner

*Primary Examiner*—Caron Veynar

*Assistant Examiner*—Mary Ann Calabrese

(74) *Attorney, Agent, or Firm*—Law Offices of David L.  
Hoffman

(\*\*) **Term:** **14 Years**

(21) **Appl. No.:** **29/289,940**

(22) **Filed:** **Aug. 8, 2007**

(51) **LOC (9) Cl.** ..... **06-13**

(52) **U.S. Cl.** ..... **D6/602**

(58) **Field of Classification Search** ..... D6/582,  
D6/583, 595, 596, 602, 603, 608–613; 5/413 AM,  
5/413 R, 417–420, 482–486, 494–500; 224/576,  
224/577; 428/81

See application file for complete search history.

(56) **References Cited**

**U.S. PATENT DOCUMENTS**

4,634,618 A \* 1/1987 Greer et al. .... 428/81  
4,654,906 A \* 4/1987 Roberts ..... 5/417  
D317,841 S \* 7/1991 Mendyk ..... D6/602  
5,414,881 A \* 5/1995 Terrazas ..... 5/417  
5,481,768 A \* 1/1996 Shink ..... 5/482  
5,785,219 A \* 7/1998 Kraft ..... 224/576

(57) **CLAIM**

The ornamental design for a multipurpose sheet, as shown  
and described.

**DESCRIPTION**

FIG. 1 is a top perspective view of my multipurpose sheet  
showing my new design, the broken lines represent stitching  
forming part of the claimed design;

FIG. 2 is a top view thereof;

FIG. 3 is a bottom view thereof;

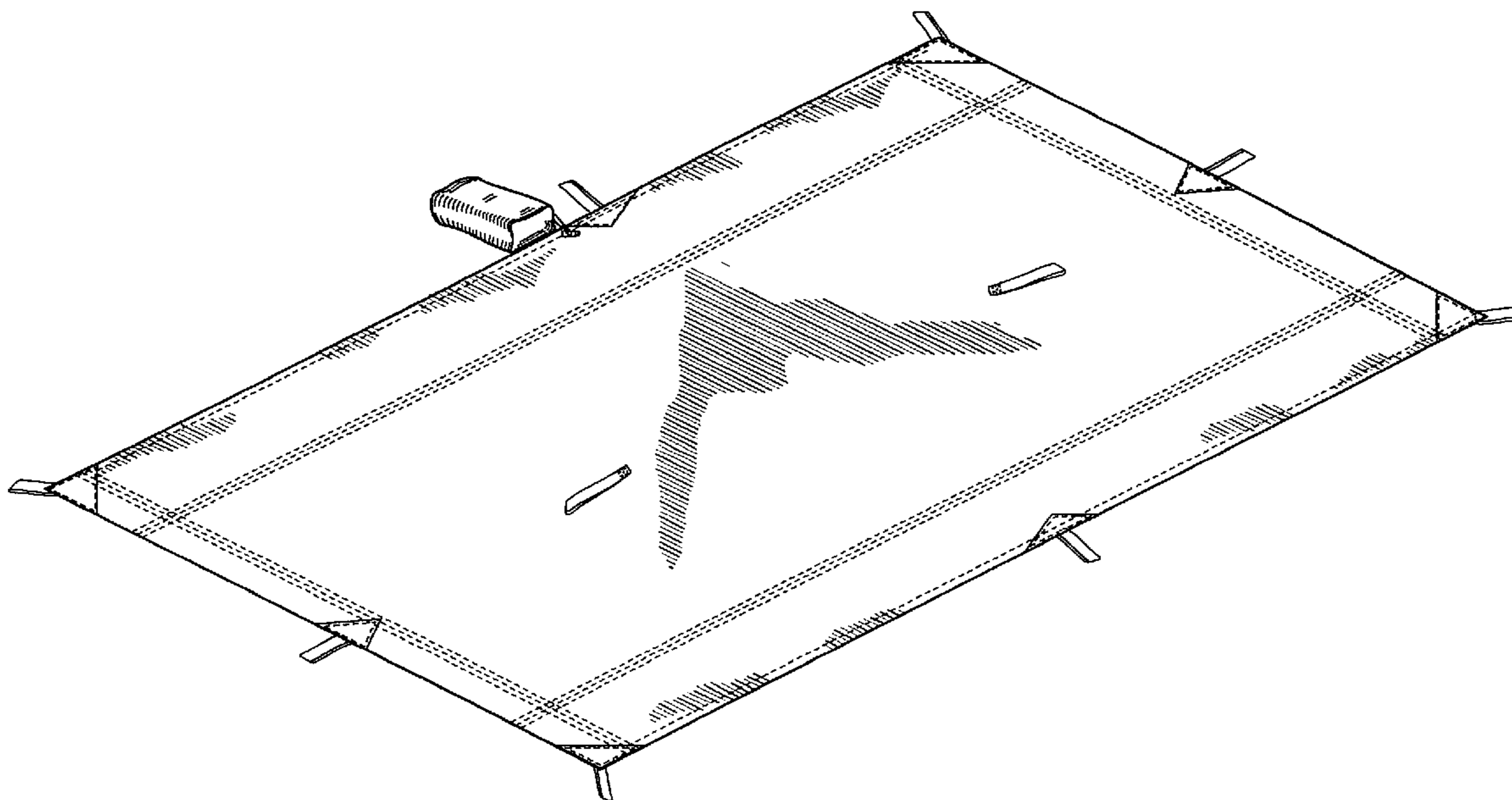
FIG. 4 is a right side elevational view thereof;

FIG. 5 is a left side elevational view thereof;

FIG. 6 is a rear elevational view thereof; and,

FIG. 7 is a front elevational view thereof.

**1 Claim, 4 Drawing Sheets**



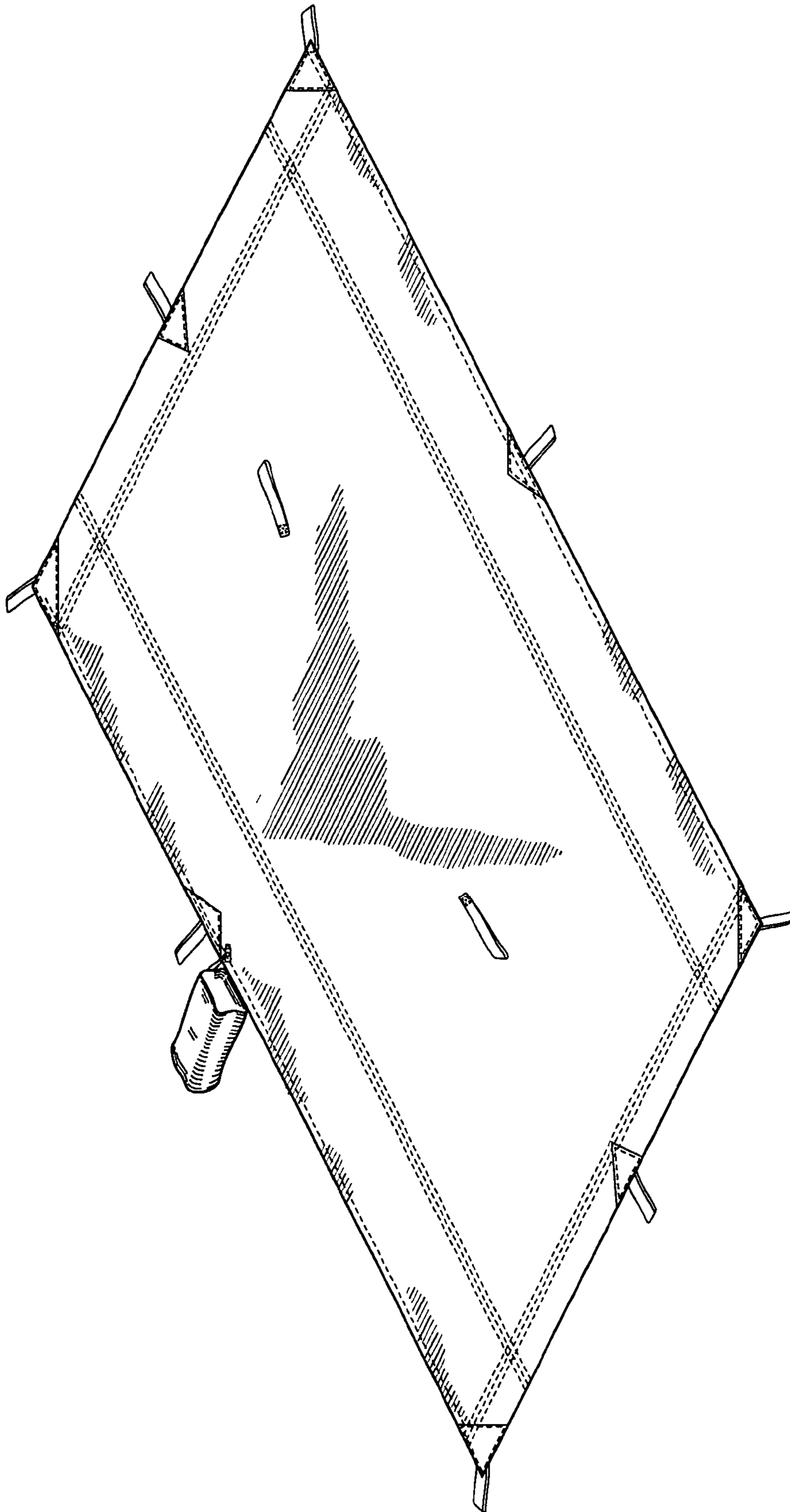


FIG. 1

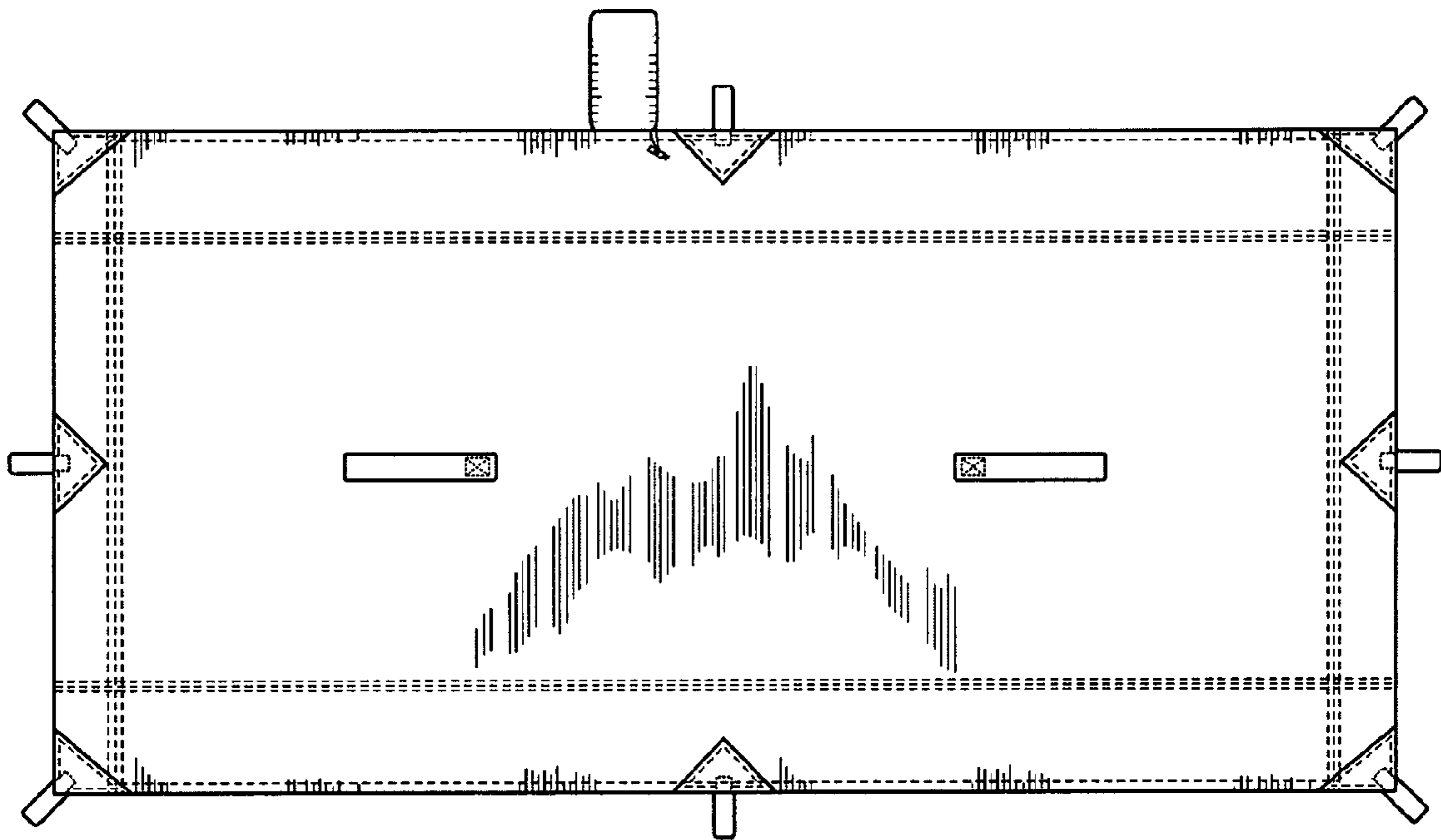


FIG. 2

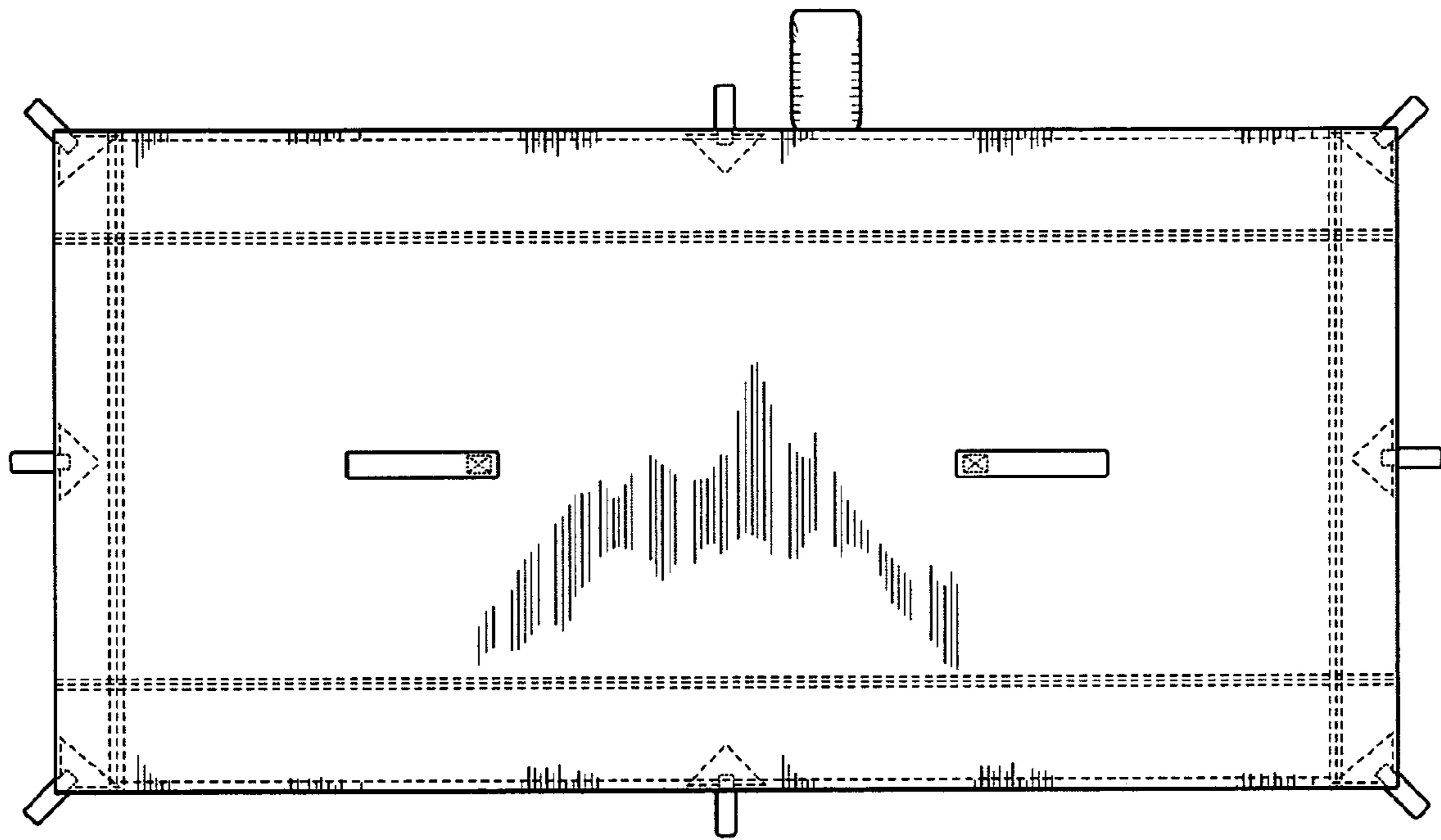


FIG. 3

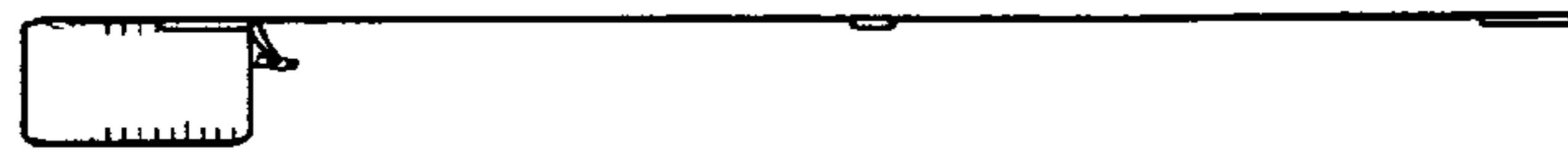


FIG. 4

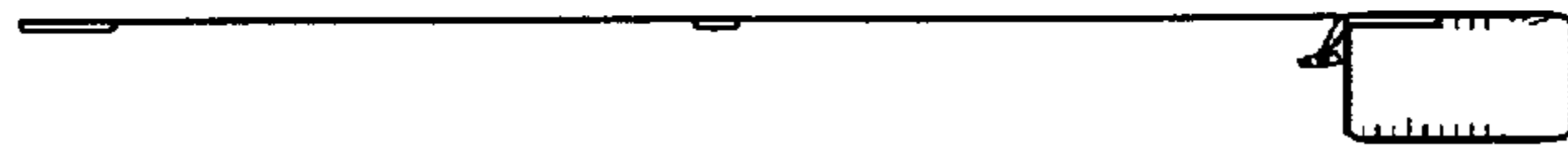


FIG. 5



FIG. 6



FIG. 7