



US00D870422S

(12) **United States Design Patent** (10) **Patent No.:** **US D870,422 S**  
**Bernstein** (45) **Date of Patent:** **\*\* Dec. 24, 2019**

(54) **WORK APRON**

(71) Applicant: **Amberstone Enterprises LLC**,  
Lakewood, NJ (US)  
(72) Inventor: **Yosef Bernstein**, Lakewood, NJ (US)  
(73) Assignee: **Amberstone Enterprises LLC**,  
Lakewood, NJ (US)  
(\*\*) Term: **15 Years**

(21) Appl. No.: **29/640,444**  
(22) Filed: **Mar. 14, 2018**  
(51) **LOC (12) Cl.** ..... **02-02**  
(52) **U.S. Cl.**  
USPC ..... **D2/857**  
(58) **Field of Classification Search**  
USPC ..... D2/857, 864  
CPC ..... A41D 27/20  
See application file for complete search history.

(56) **References Cited**

**U.S. PATENT DOCUMENTS**

1,818,738 A \* 8/1931 Newman ..... A41D 27/20  
2/248  
2,389,721 A \* 11/1945 Durso ..... A41D 27/20  
2/247  
2,424,666 A \* 7/1947 Previdi ..... A41D 27/20  
2/247  
3,624,686 A \* 11/1971 Beals ..... G09B 19/0023  
434/98  
4,533,355 A \* 8/1985 Fair ..... A61F 5/445  
2/238  
D456,118 S \* 4/2002 Hill ..... D2/866  
D543,337 S \* 5/2007 Wardle ..... D2/857  
D596,829 S \* 7/2009 Miller ..... D2/717  
D621,135 S \* 8/2010 Harrison ..... D2/857  
D712,633 S \* 9/2014 Davis ..... D2/857  
9,161,581 B2 \* 10/2015 Huckabee ..... A41D 27/201  
D757,399 S \* 5/2016 Kalfas ..... D2/864

(Continued)

**OTHER PUBLICATIONS**

Gidabrand Luxury Waxed Canvas Shop Apron posted to Amazon.com. Available Date: Aug. 25, 2017 [site visited Aug. 16, 2019] Available: <[https://www.amazon.com/Luxury-Cross-Back-Adjustable-Resistant-Workshop/dp/B07556KSWY/ref=sr\\_1\\_8?keywords=work+apron&qid=1565974394&s=gateway&sr=8-8](https://www.amazon.com/Luxury-Cross-Back-Adjustable-Resistant-Workshop/dp/B07556KSWY/ref=sr_1_8?keywords=work+apron&qid=1565974394&s=gateway&sr=8-8)> (Year: 2017).\*

*Primary Examiner* — Kevin K Rudzinski  
(74) *Attorney, Agent, or Firm* — Amster, Rothstein & Ebenstein LLP

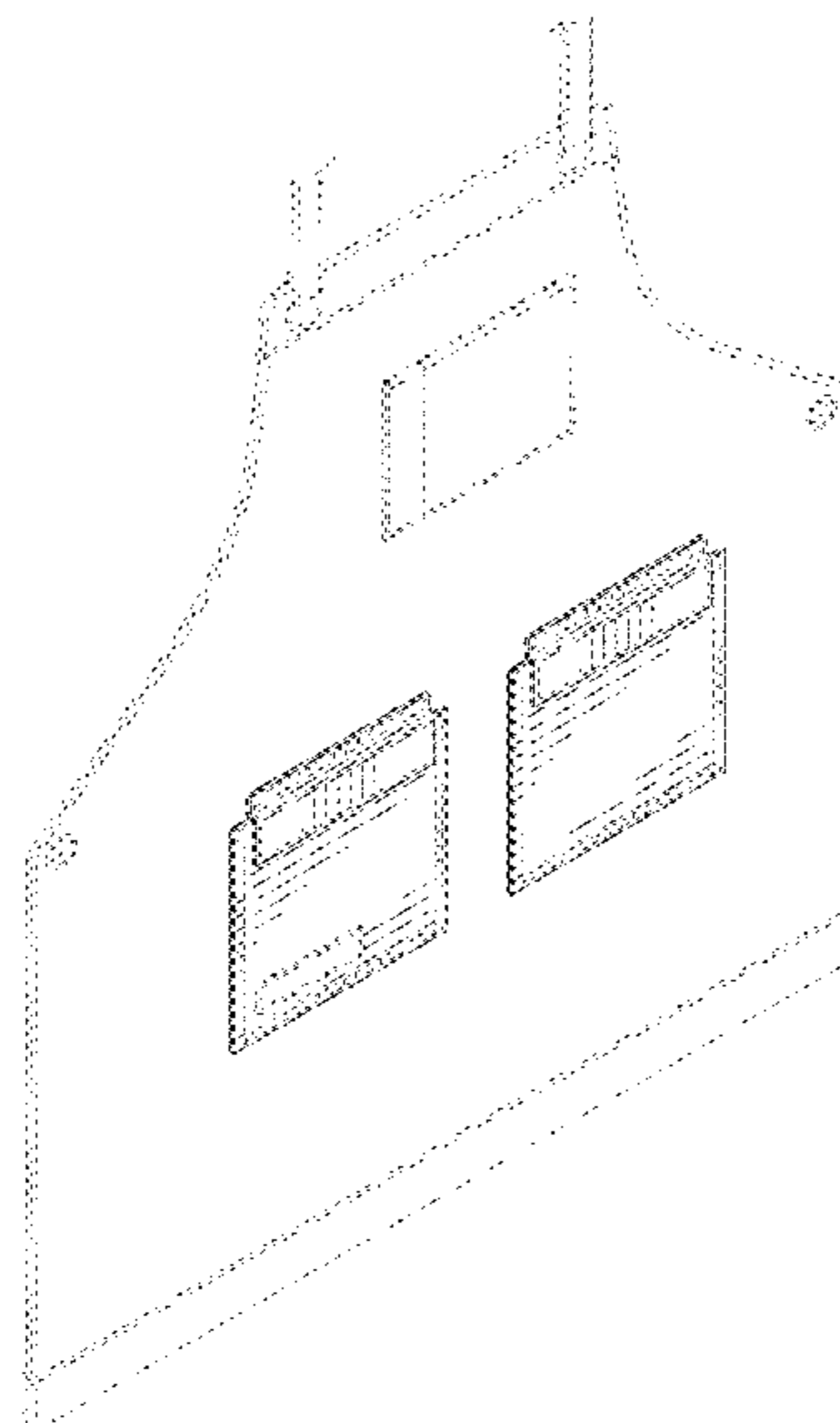
(57) **CLAIM**

The ornamental design for a work apron, as shown and described.

**DESCRIPTION**

FIG. 1 is a front perspective view of the work apron showing the present design.  
FIG. 2 is a front view thereof.  
FIG. 3 is a rear view thereof.  
FIG. 4 is right side view thereof.  
FIG. 5 is a left side view thereof.  
FIG. 6 is a top view thereof.  
FIG. 7 is a bottom view thereof.  
FIG. 8 is a front view thereof shown as worn by a user.  
FIG. 9 is a front perspective view of a second embodiment of the work apron.  
FIG. 10 is a front view thereof.  
FIG. 11 is a rear view thereof.  
FIG. 12 is right side view thereof.  
FIG. 13 is a left side view thereof.  
FIG. 14 is a top view thereof.  
FIG. 15 is a bottom view thereof; and,  
FIG. 16 is a front view thereof shown as worn by a user.  
The portions of the design shown in broken lines being for the purpose of illustrating environment only and form no part of the claimed design.

**1 Claim, 12 Drawing Sheets**



(56)

**References Cited**

U.S. PATENT DOCUMENTS

10,137,038 B2 \* 11/2018 Wink ..... A61F 13/00085  
2008/0005825 A1 \* 1/2008 Tronvold ..... A41D 3/00  
2/95

\* cited by examiner

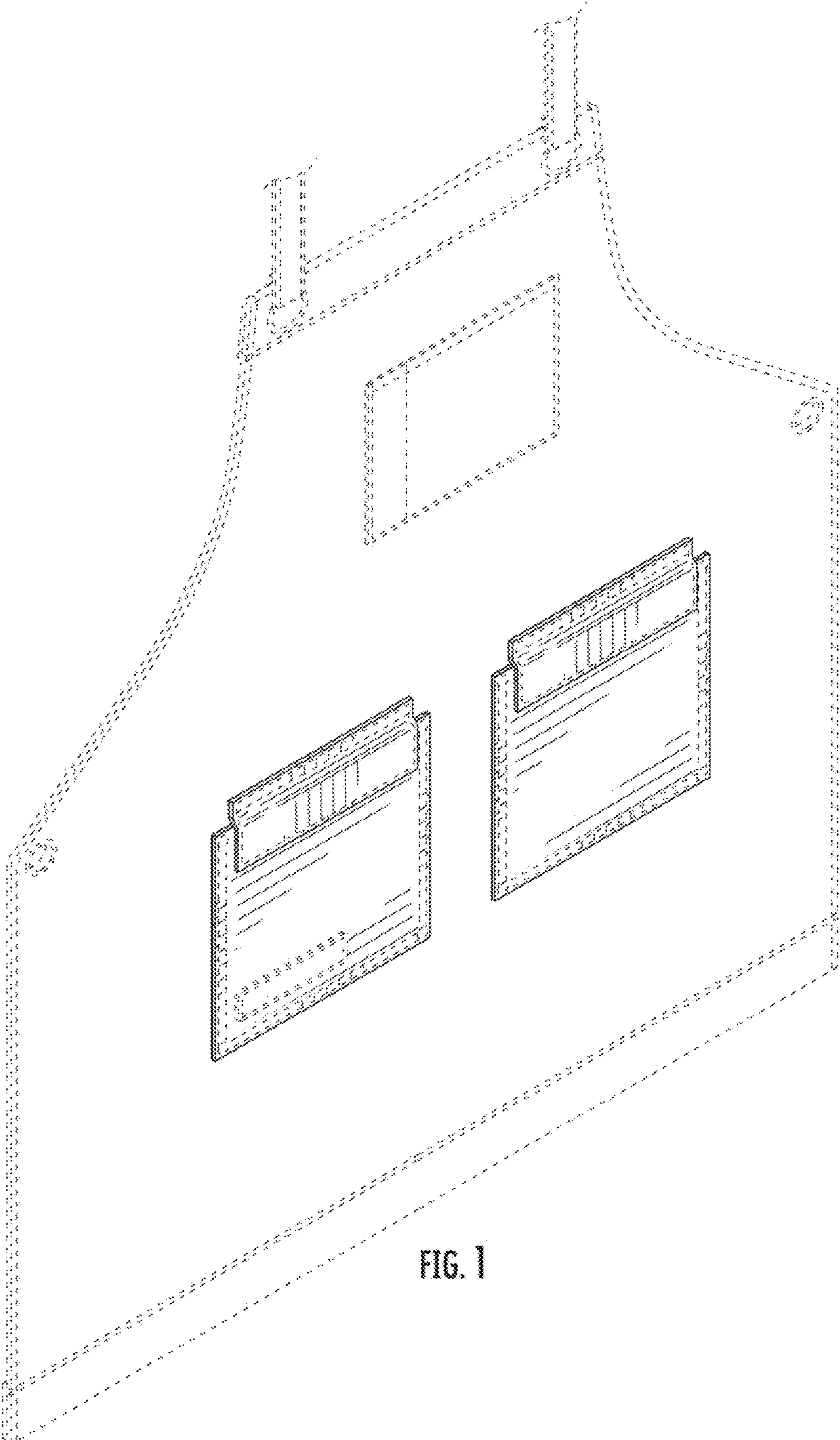


FIG. 1

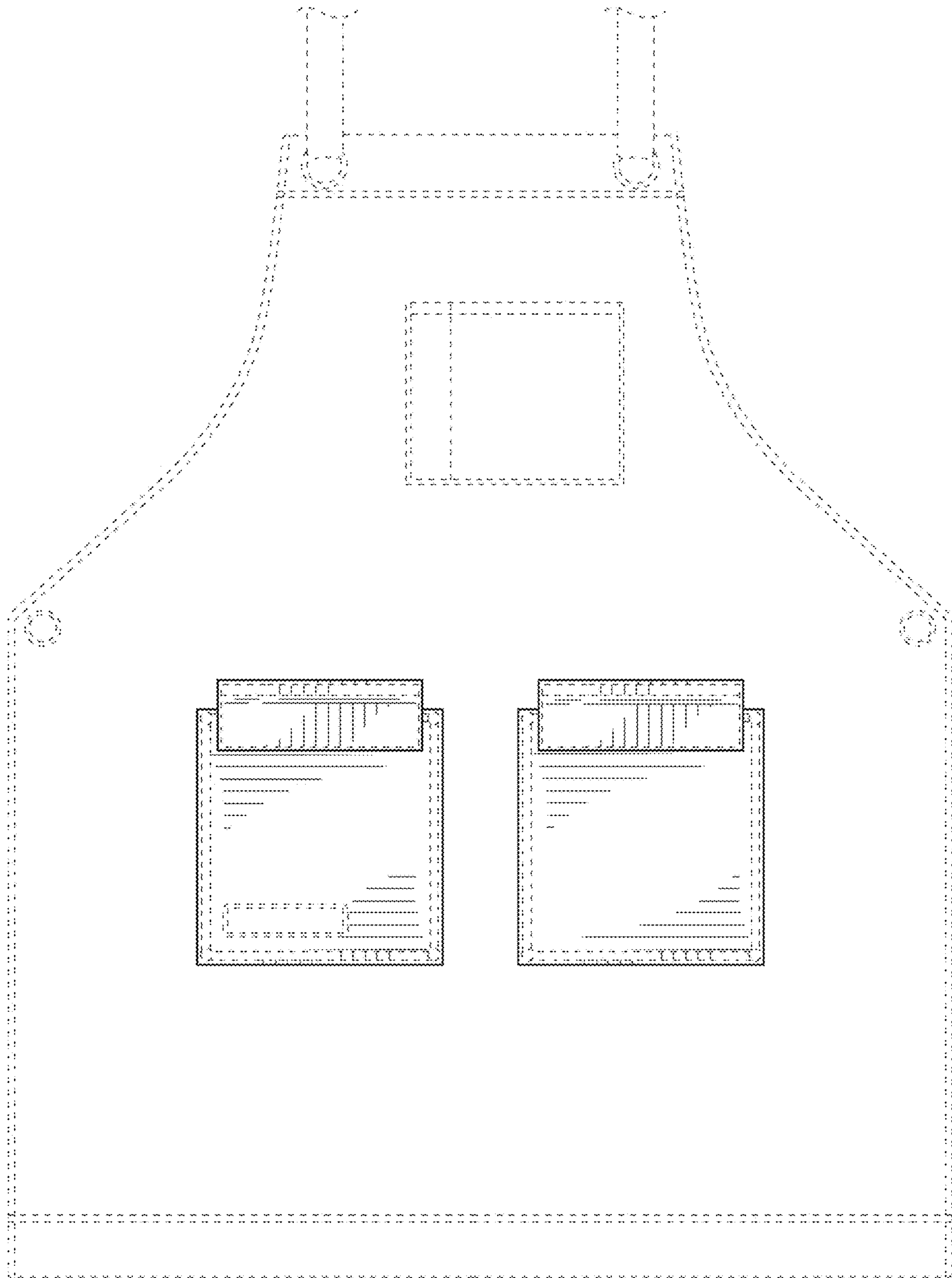


FIG. 2

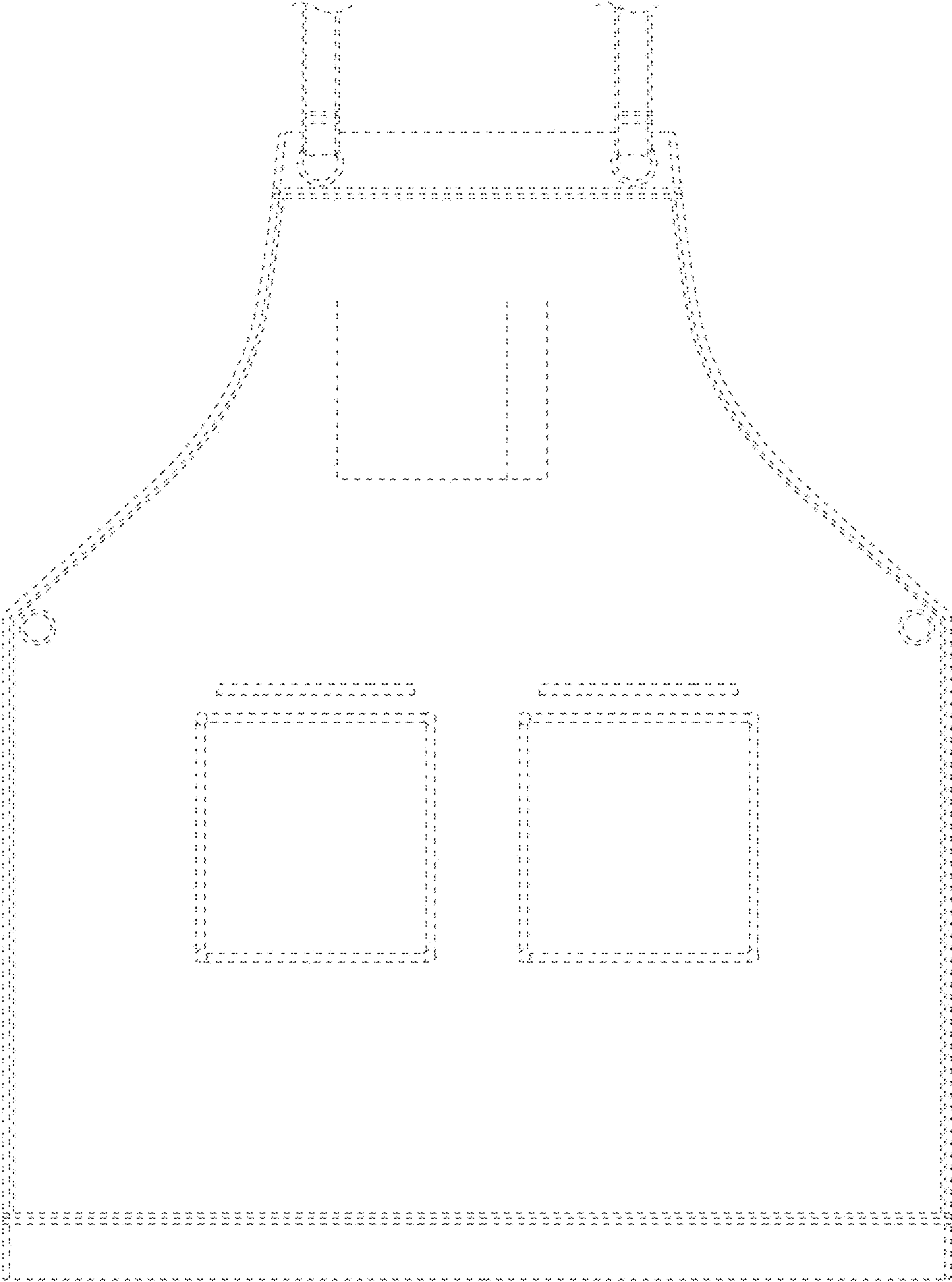


FIG. 3

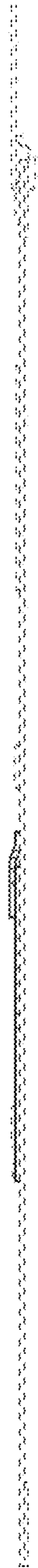


FIG. 4

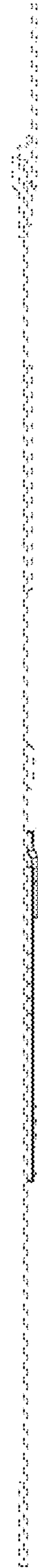


FIG. 5

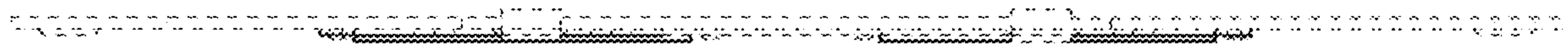


FIG. 6



FIG. 7

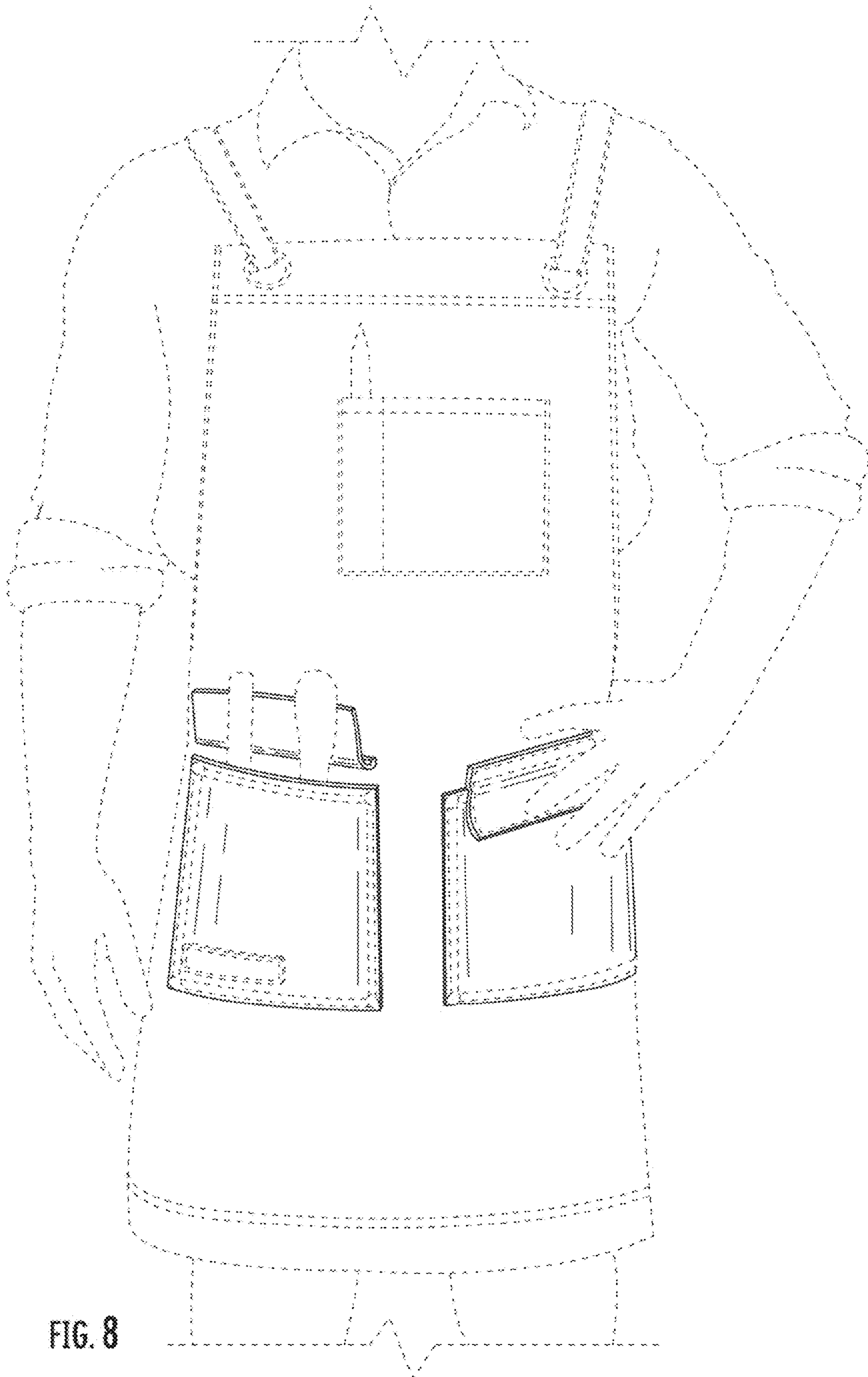


FIG. 8



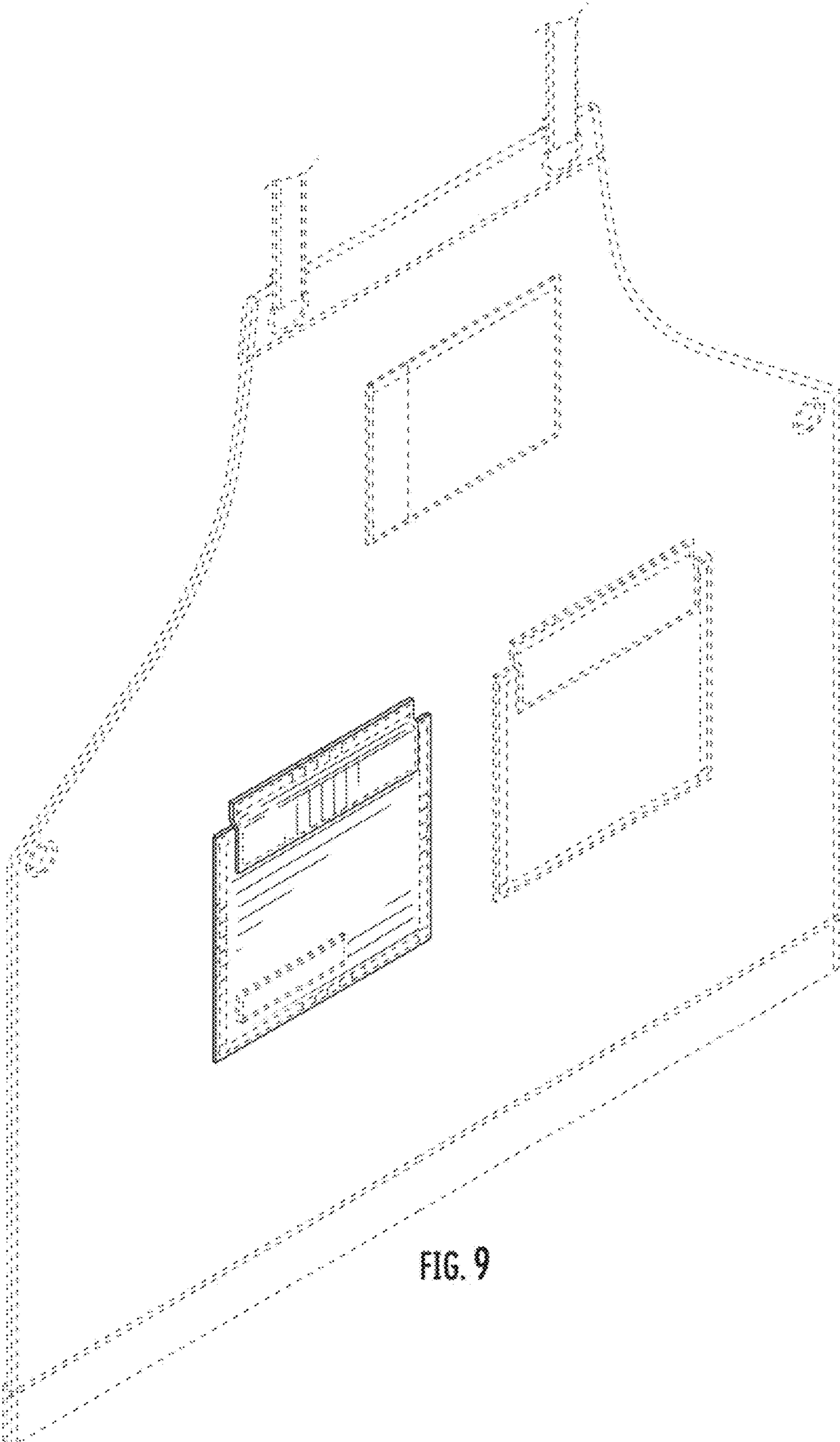


FIG. 9

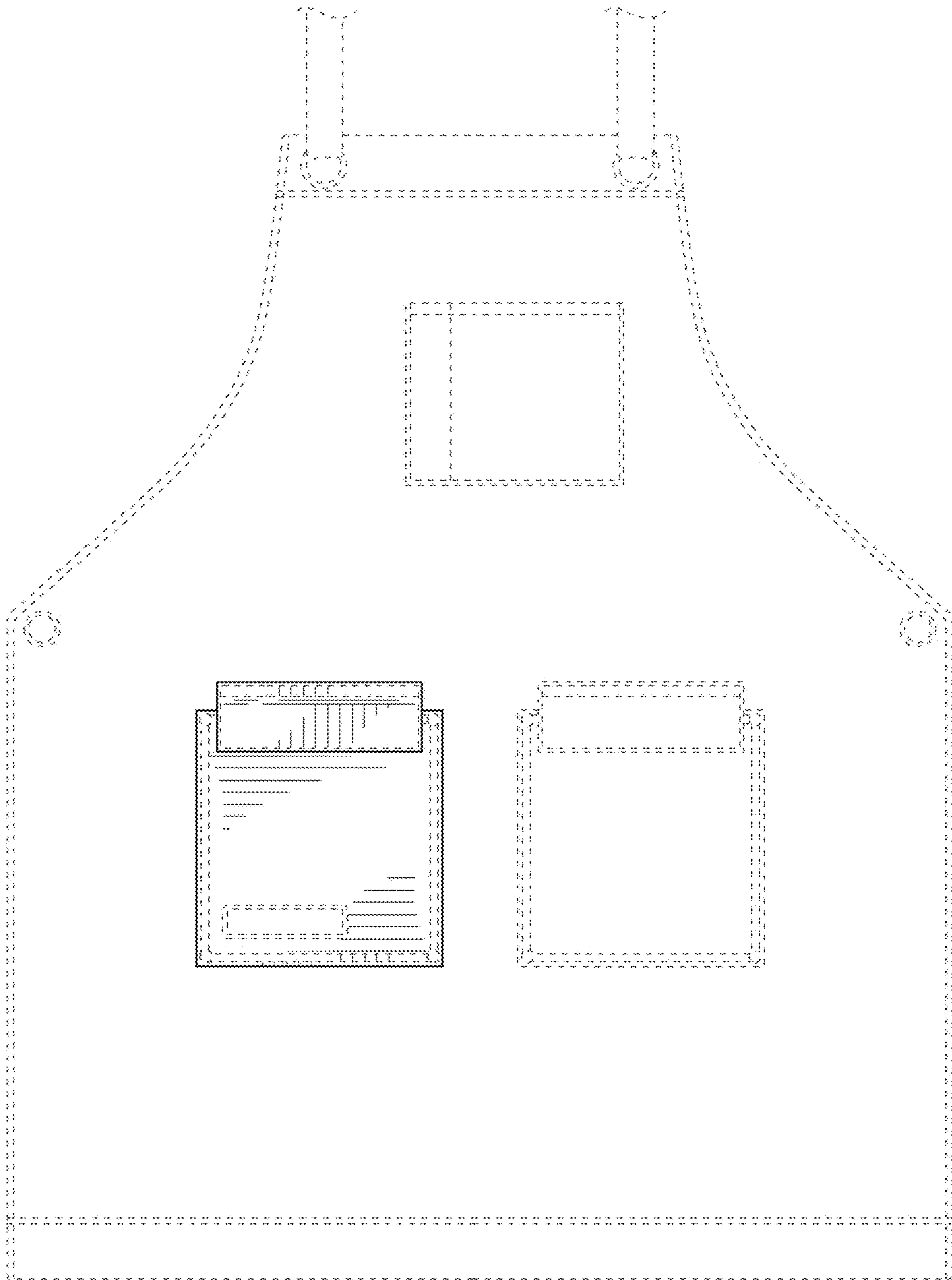


FIG. 10

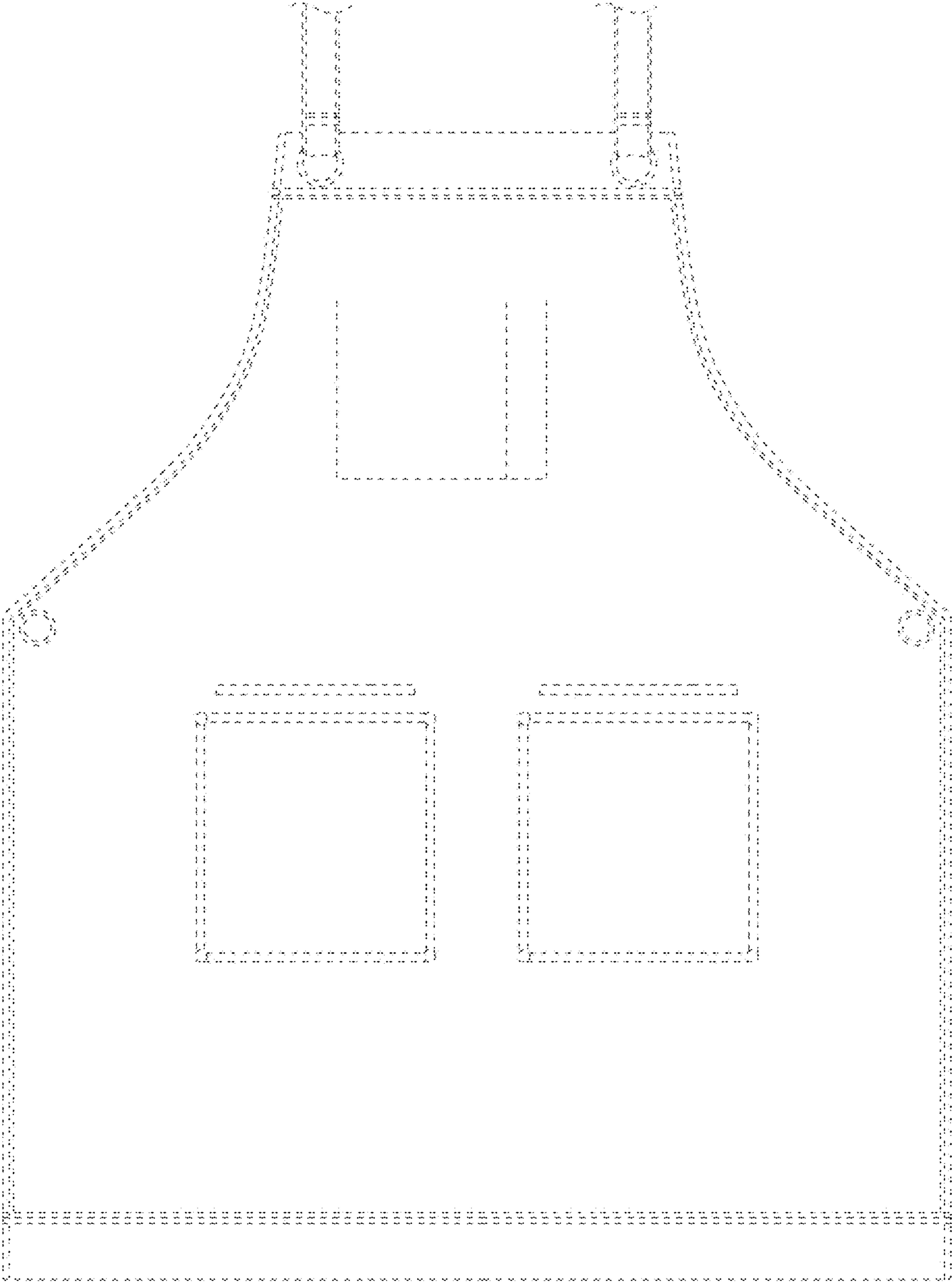


FIG. 11

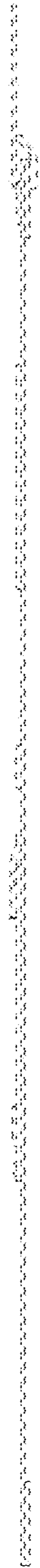


FIG. 12

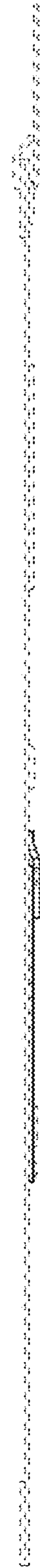


FIG. 13

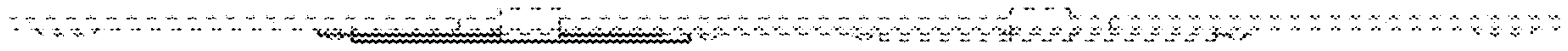


FIG. 14

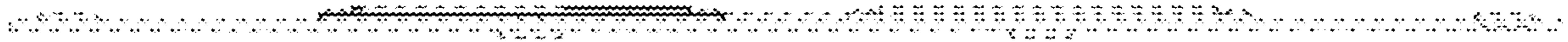


FIG. 15

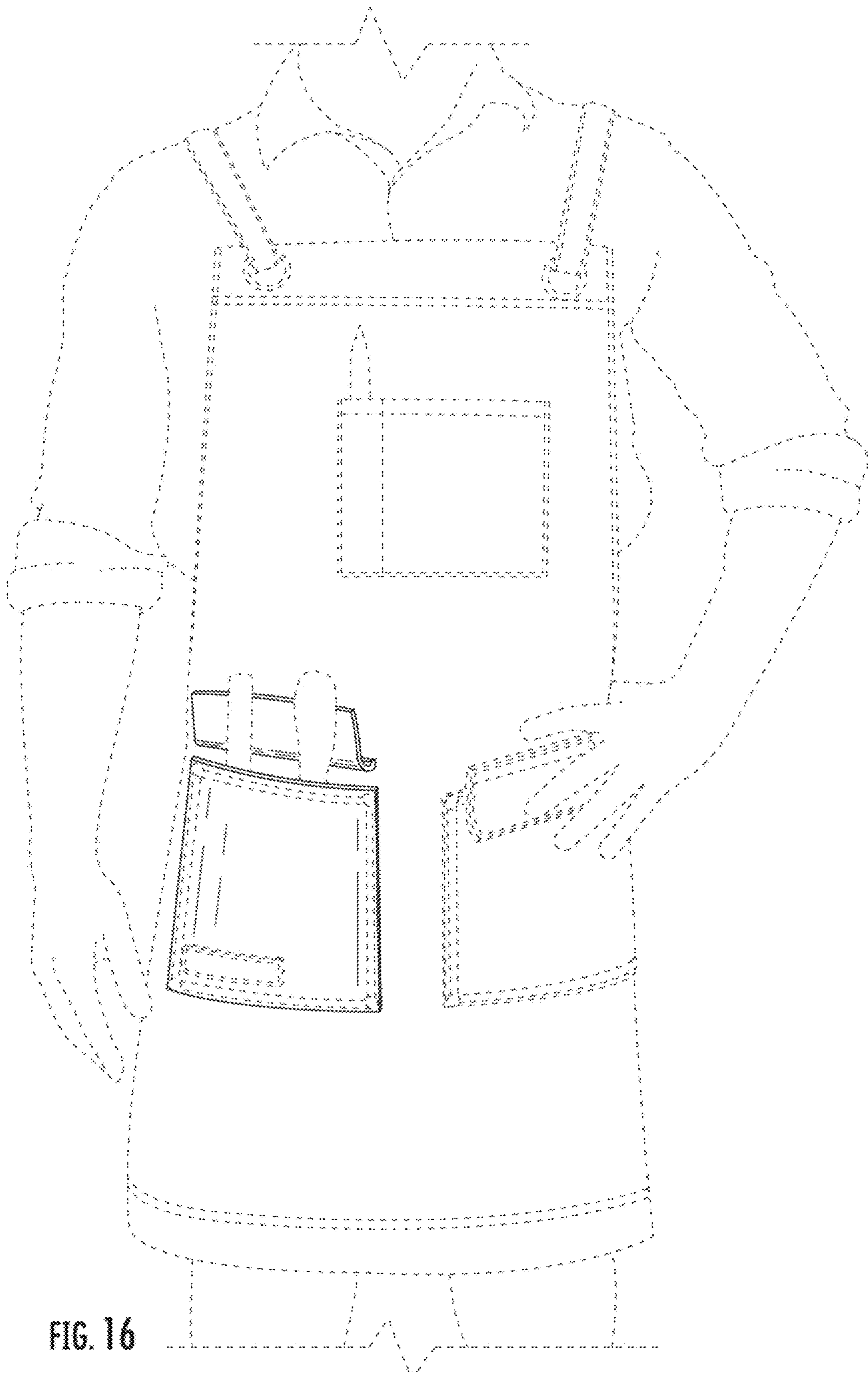


FIG. 16