



US00D864710S

(12) **United States Design Patent** (10) **Patent No.:** **US D864,710 S**
Watson (45) **Date of Patent:** **** Oct. 29, 2019**

(54) **VAPOR PRODUCT PACKAGING**
(71) Applicant: **RAI STRATEGIC HOLDINGS, INC.,**
Winston-Salem, NC (US)
(72) Inventor: **Nicholas H. Watson,** Westfield, NC
(US)
(73) Assignee: **RAI STRATEGIC HOLDINGS, INC.,**
Winston-Salem, NC (US)

(**) Term: **15 Years**

(21) Appl. No.: **29/660,324**

(22) Filed: **Aug. 20, 2018**

(51) **LOC (12) Cl.** **09-03**

(52) **U.S. Cl.**
USPC **D9/421**

(58) **Field of Classification Search**
USPC D7/601-602; D9/414-434, 456-457,
D9/499, 737, 748-749, 756, 758-761
See application file for complete search history.

(56) **References Cited**

U.S. PATENT DOCUMENTS

D240,292 S *	6/1976	Beaumont	B65B 35/52
				D9/421
4,618,090 A *	10/1986	Cortellucci	B65D 43/162
				220/326
6,095,408 A *	8/2000	Nguyen	B65D 5/2009
				229/120.21
D485,492 S *	1/2004	Hoffman	D9/433
D590,708 S *	4/2009	Maguire	D9/432
D607,319 S *	1/2010	Collins	D9/416
D697,401 S *	1/2014	Kidd	B65D 5/2009
				D9/421
D748,498 S	2/2016	Pipes et al.		
D756,223 S	5/2016	Pipes et al.		

9,399,545 B2 *	7/2016	Ha	B65D 85/00
D805,398 S *	12/2017	Torchin	D9/737
D826,714 S	8/2018	Pipes et al.		
2011/0062175 A1	3/2011	Nakamura et al.		
2011/0198348 A1 *	8/2011	Marbe	B65B 35/52
				220/23.83
2012/0261285 A1	10/2012	Holloway et al.		

(Continued)

OTHER PUBLICATIONS

Nucig Ltd, "Looks Real. Tastes Real. Satisfies . . . NUCIG AdvancedPRO series . . . not just any ordinary electronic cigarette", <<https://www.nucig.co.uk/Advance-PRO-Spares-Accessories-s/160.htm>>, 2008, downloaded Jun. 19, 2018, 4 pages.

(Continued)

Primary Examiner — Sandra L Morris

(74) *Attorney, Agent, or Firm* — Foley & Lardner LLP

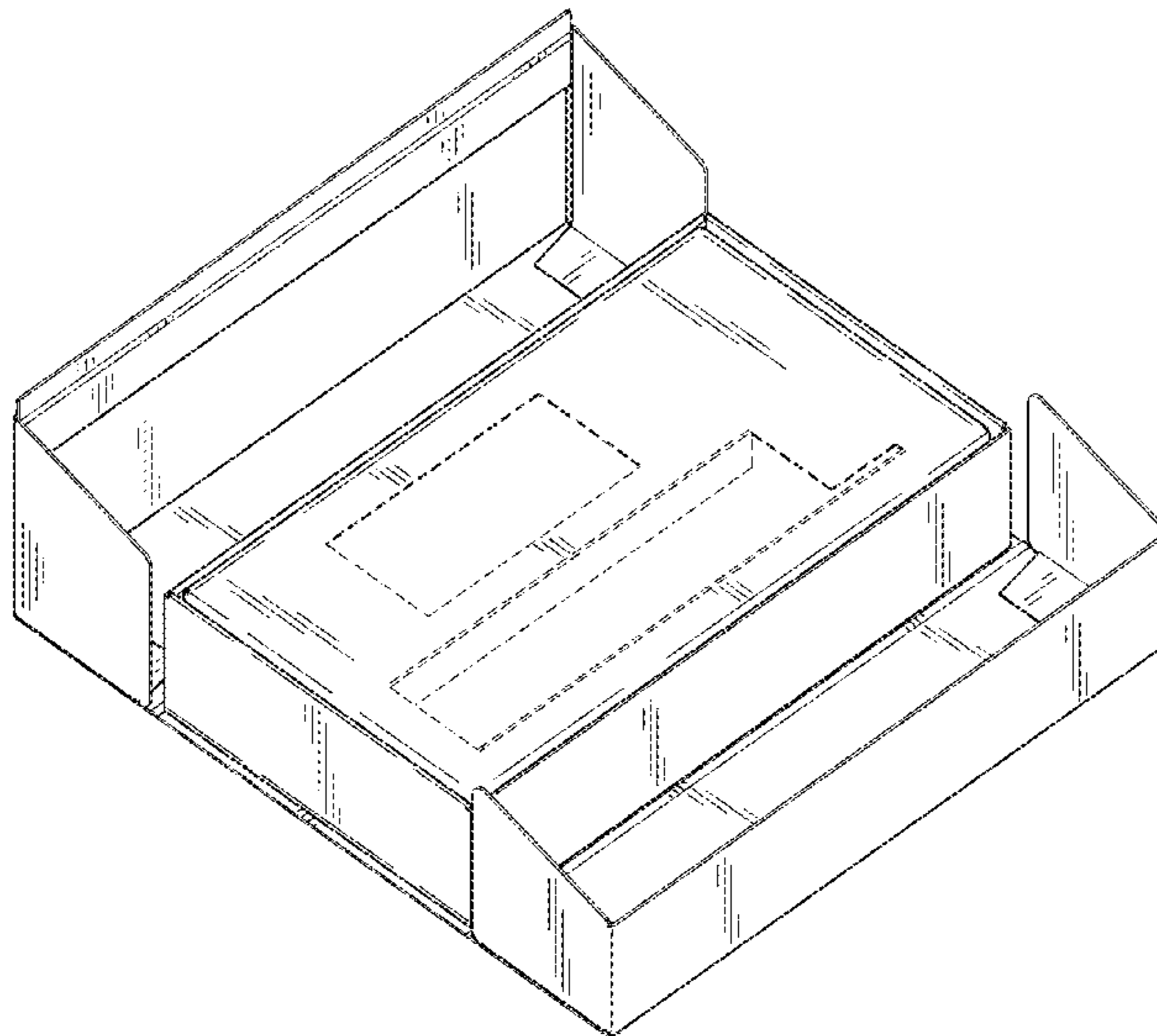
(57) **CLAIM**

I claim the ornamental design for a vapor product packaging, as shown and described.

DESCRIPTION

FIG. 1 is a top, front, right perspective view of an embodiment of the claimed design in a first configuration; FIG. 2 is a top, front, right perspective view thereof in a second configuration; FIG. 3 is a top, front, right perspective view thereof in a third configuration; FIG. 4 is a top plan view thereof in the first configuration; FIG. 5 is a right side elevation view thereof; FIG. 6 is a left side elevation view thereof; FIG. 7 is a front elevation view thereof; FIG. 8 is a rear elevation view thereof; and, FIG. 9 is a bottom plan view thereof. The broken lines in the drawings are for illustrative purposes only and form no part of the claimed design.

1 Claim, 7 Drawing Sheets



(56)

References Cited

U.S. PATENT DOCUMENTS

2012/0261286 A1 10/2012 Holloway et al.
2014/0262871 A1 9/2014 Fath
2017/0113865 A1 4/2017 Swede et al.
2017/0259954 A1 9/2017 Schwester
2017/0291757 A1 10/2017 Sebastian et al.
2017/0325500 A1 11/2017 Senfleben et al.
2017/0327291 A1 11/2017 Senfleben et al.
2018/0007956 A1 1/2018 Iwata

OTHER PUBLICATIONS

TechVitaminsTV, "E-Cigarettes: how it works (blu Premium E-Cig Social Kit review) Must See!!", <<https://www.youtube.com/watch?v=mFAYxw6csjg>>, Mar. 14, 2012.

* cited by examiner

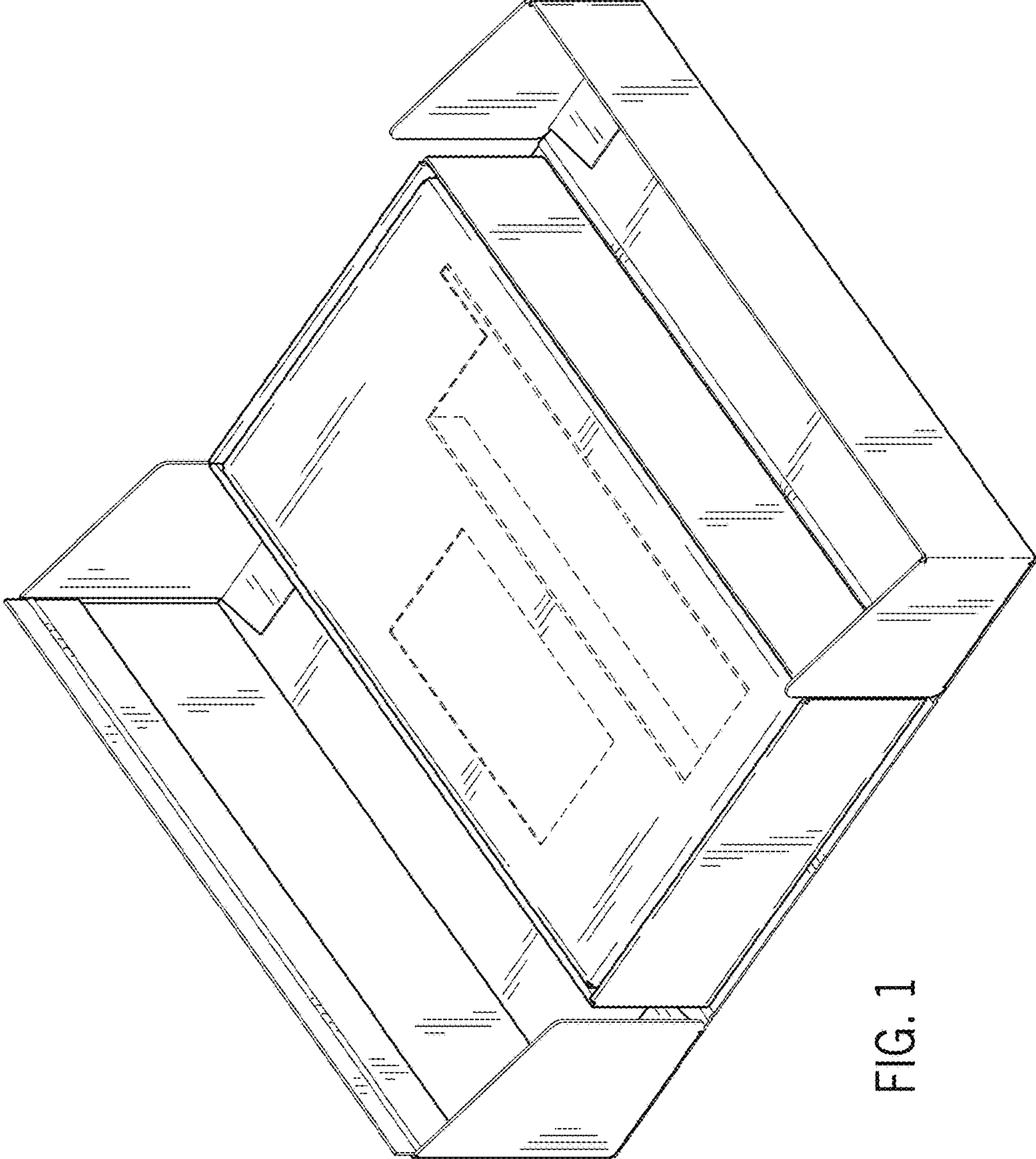


FIG. 1

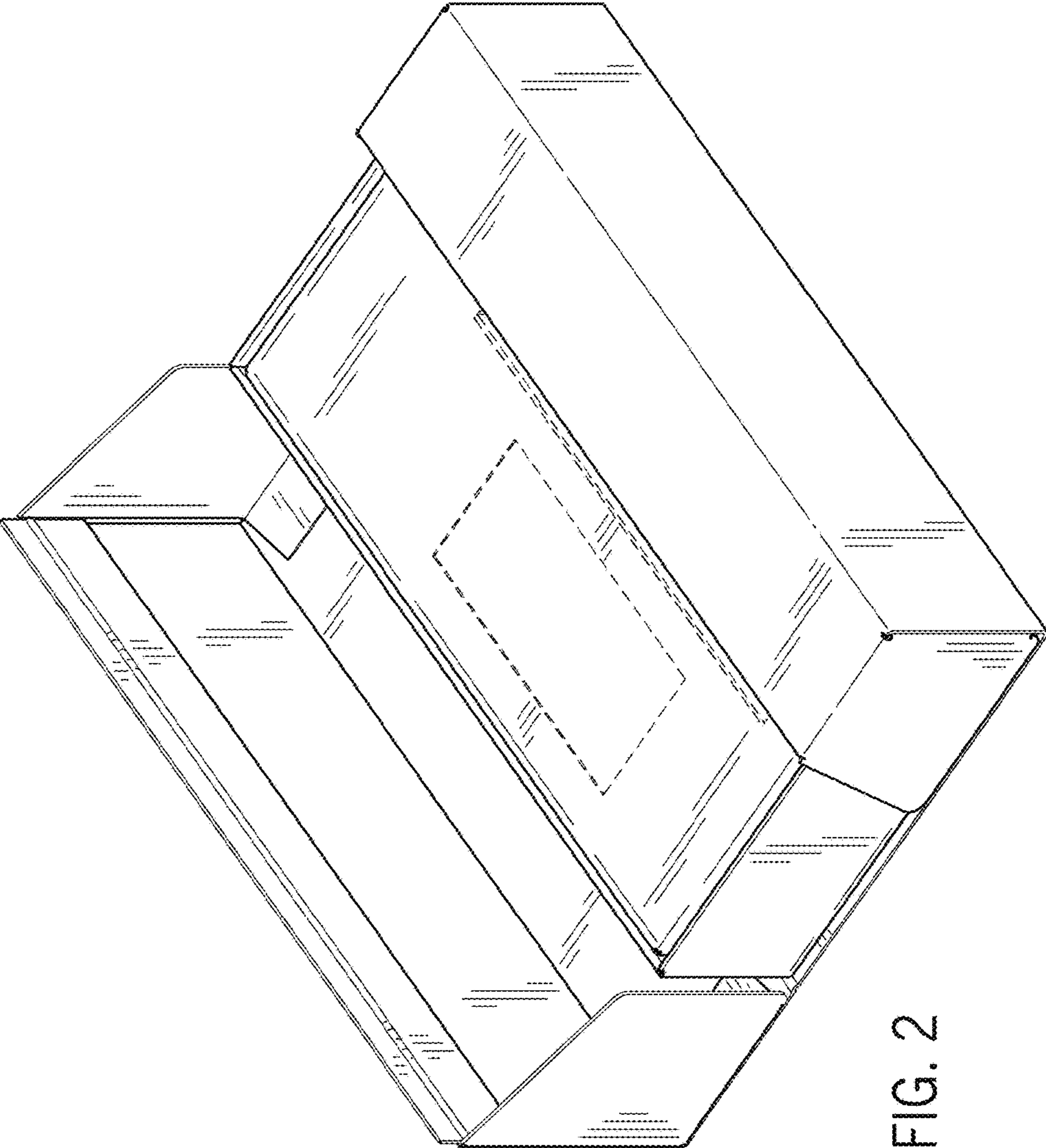


FIG. 2

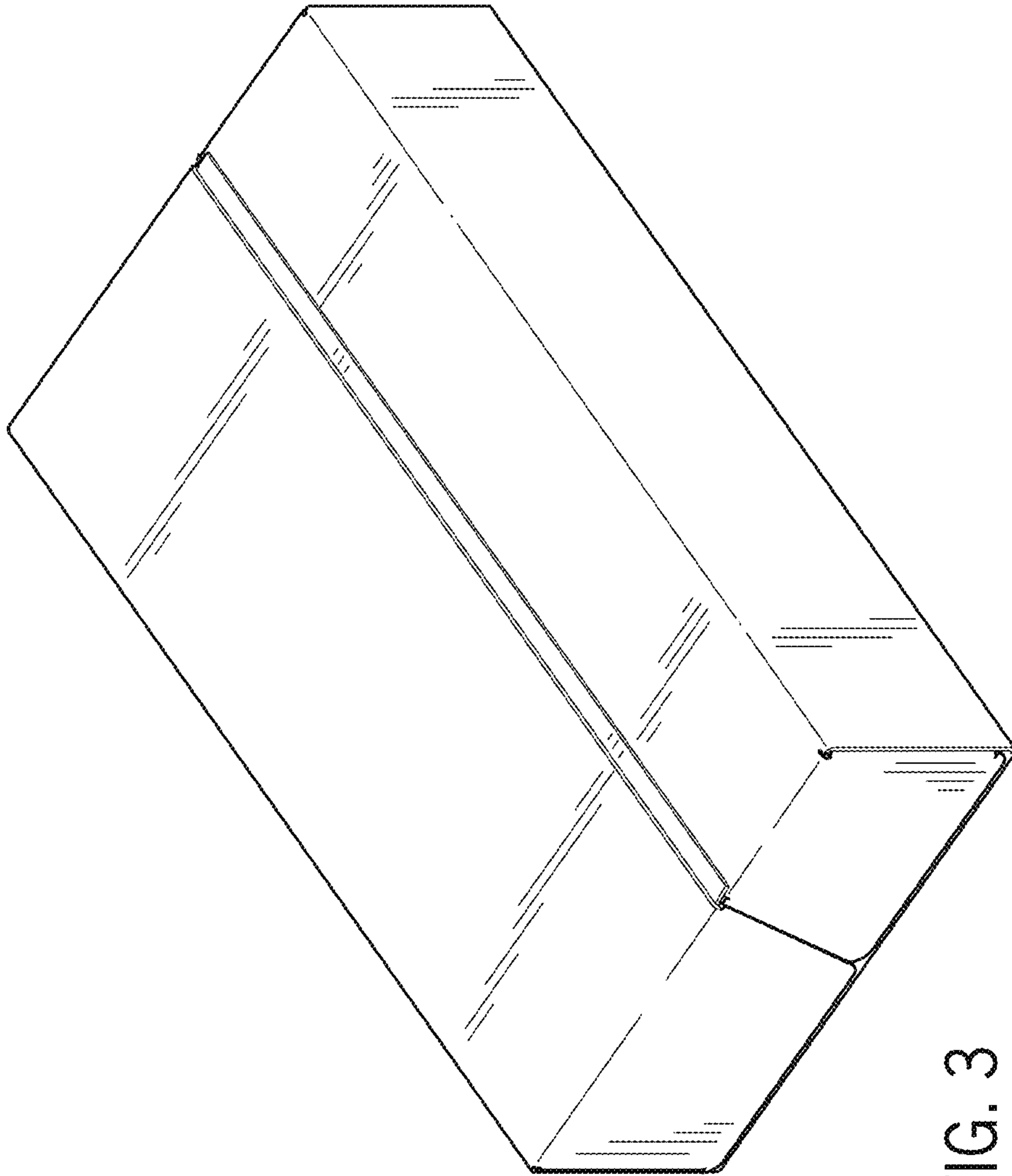


FIG. 3

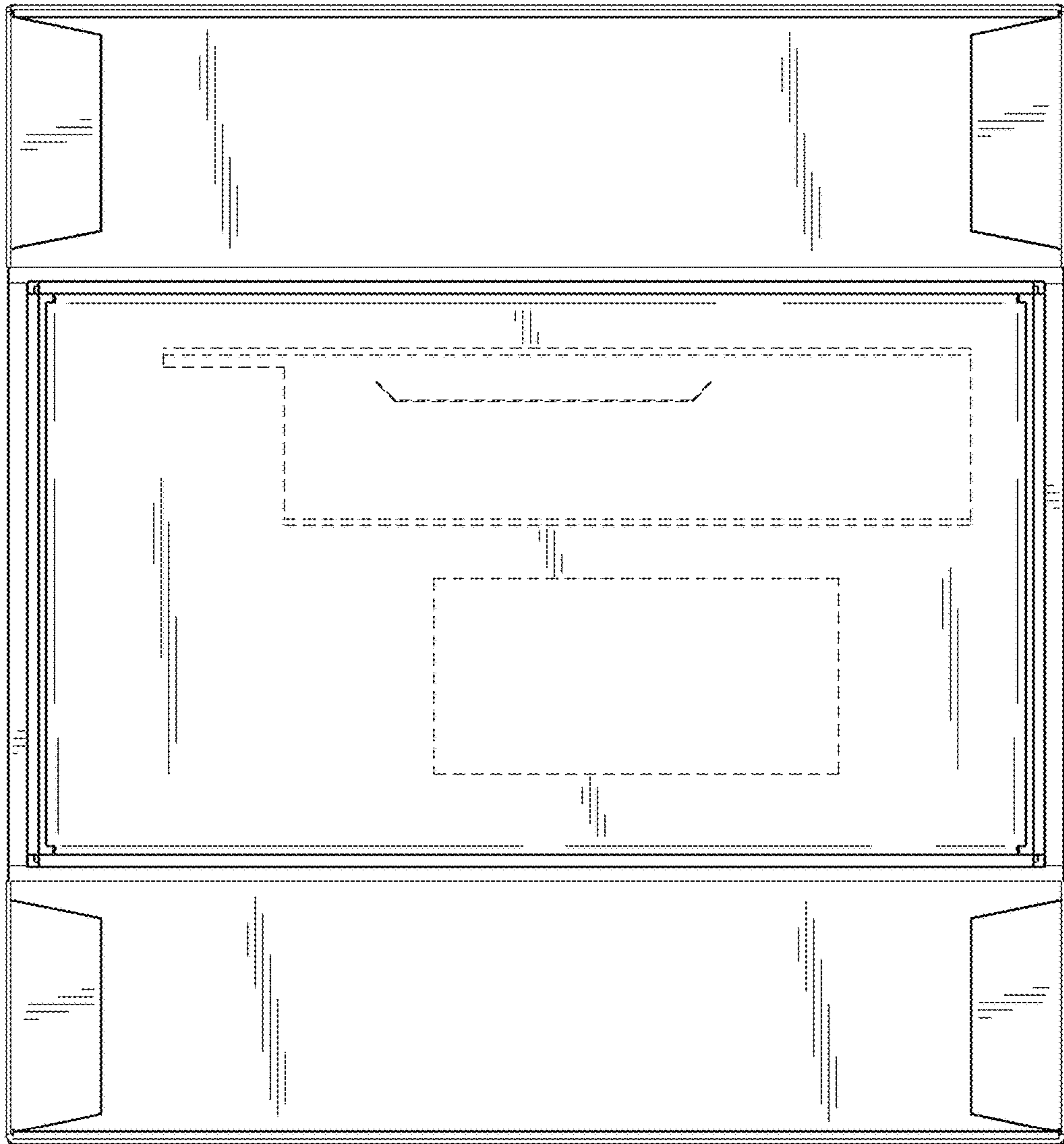


FIG. 4

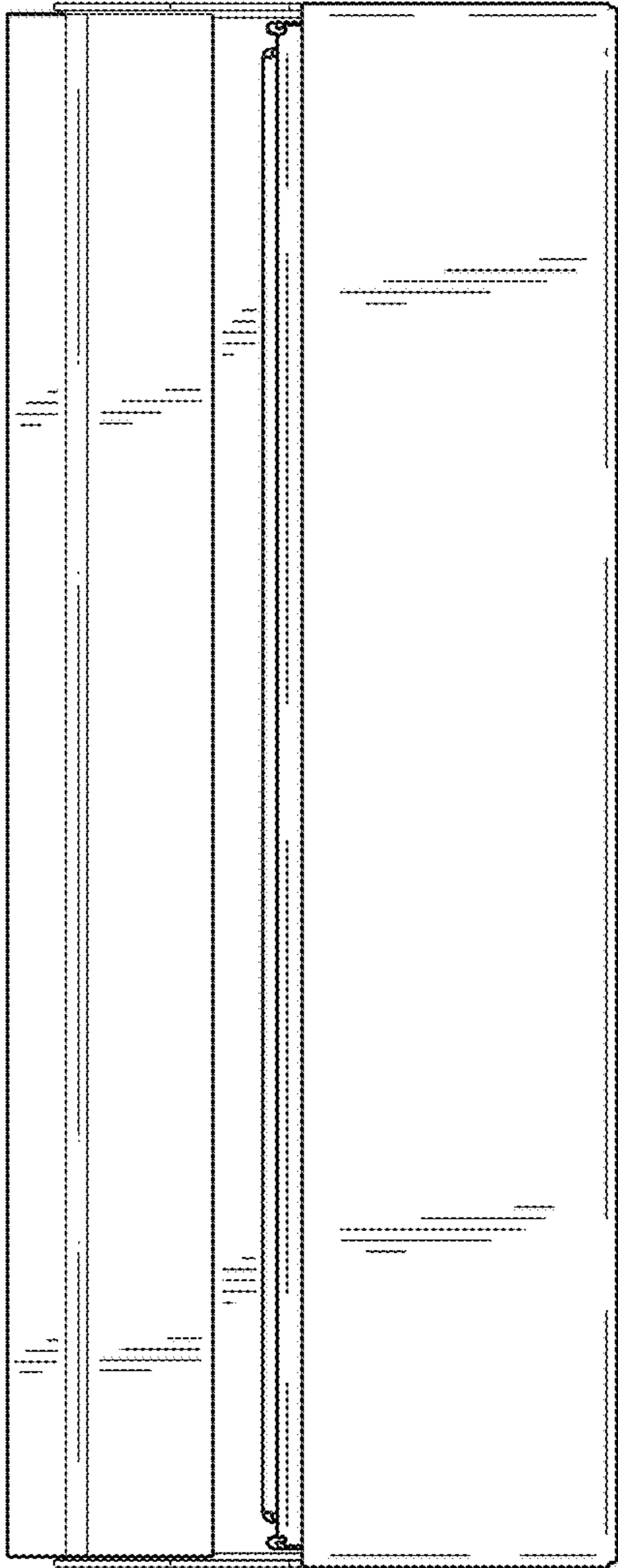


FIG. 5

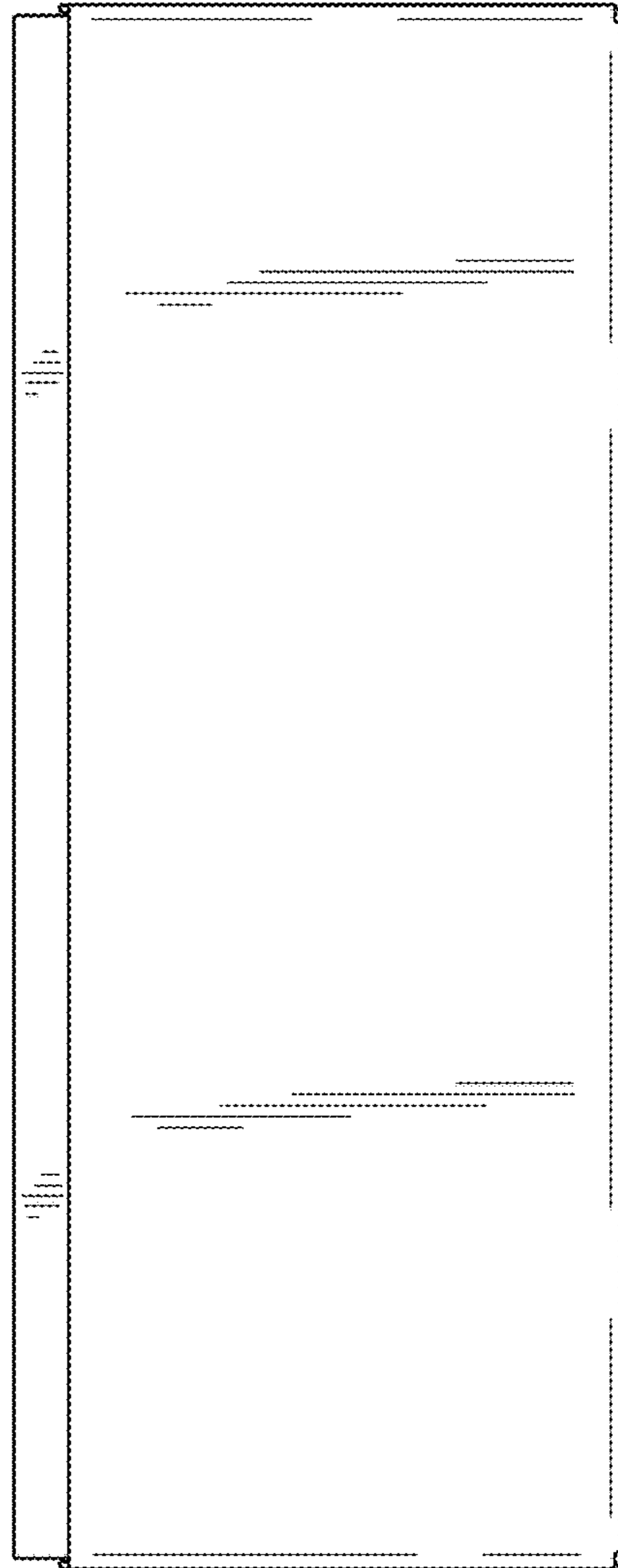


FIG. 6

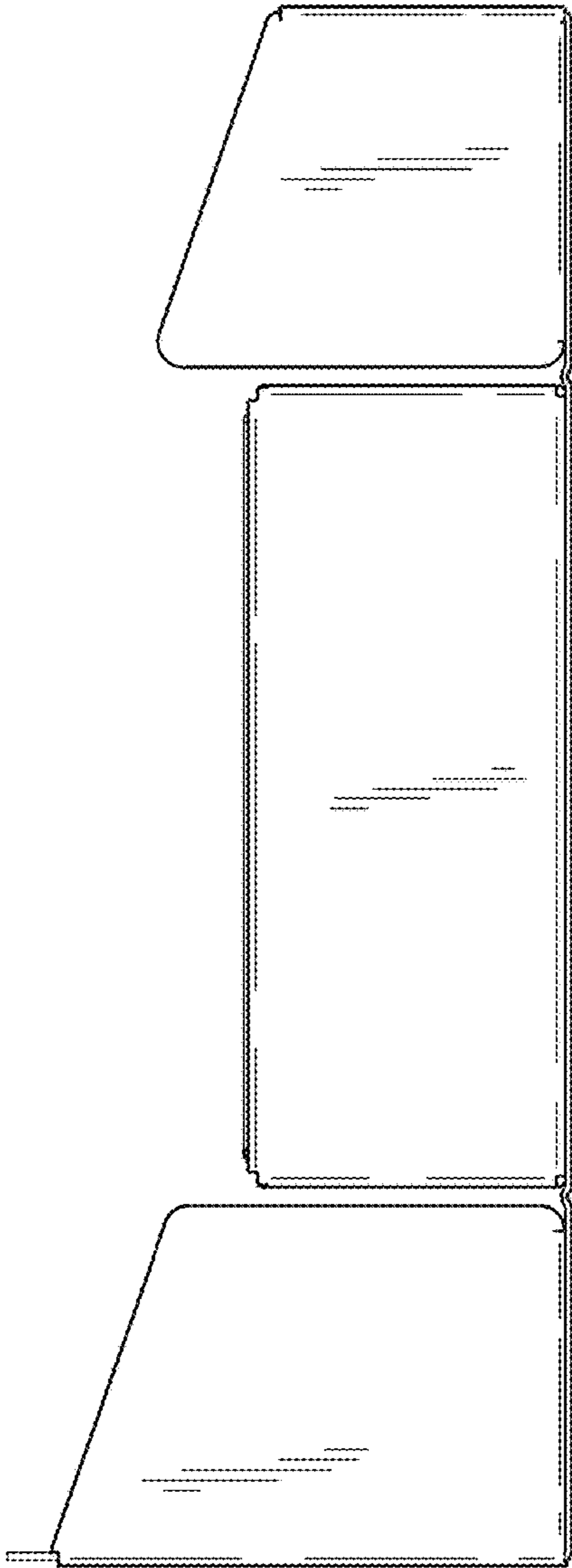


FIG. 7

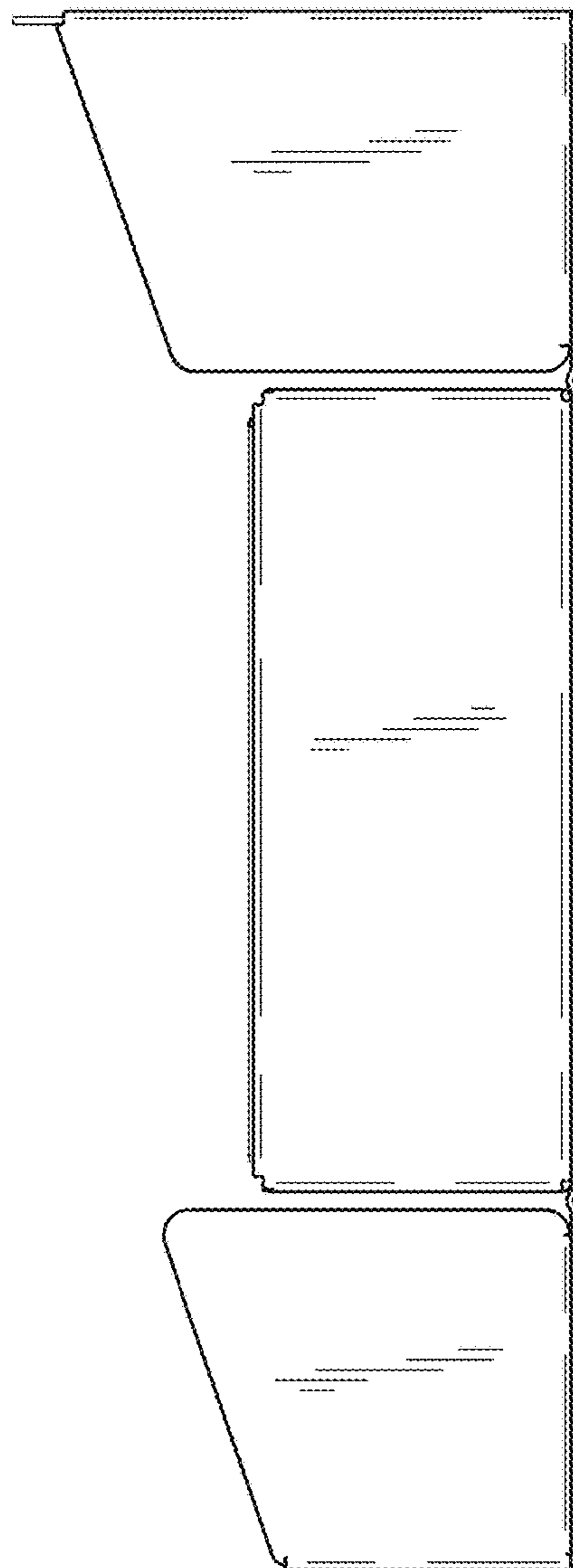


FIG. 8

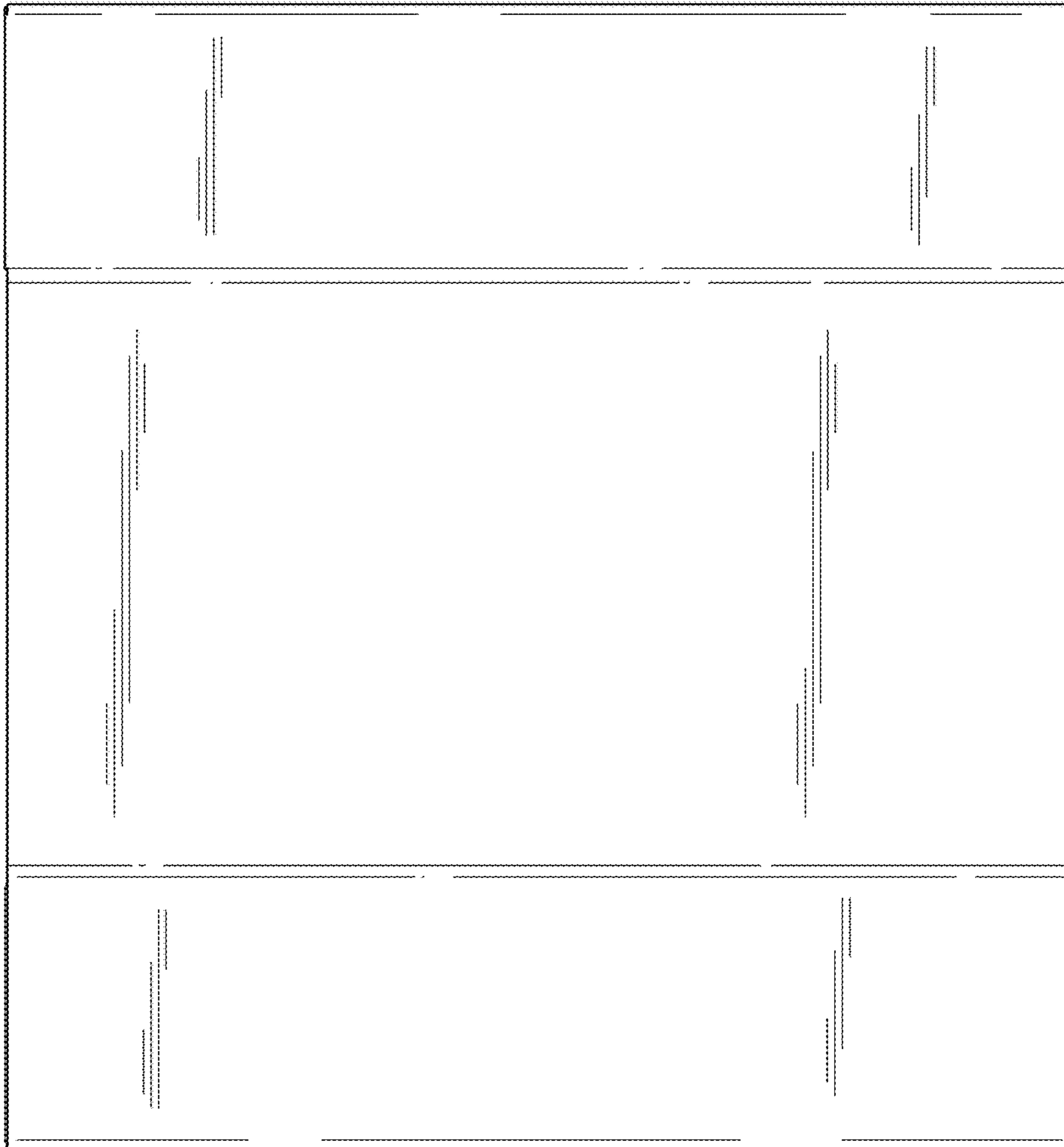


FIG. 9