



US00D774222S

(12) **United States Design Patent**  
**Lim et al.**

(10) **Patent No.:** **US D774,222 S**  
(45) **Date of Patent:** **\*\* Dec. 13, 2016**

(54) **HEAD LAMP FOR AUTOMOBILES**

(71) Applicant: **Kia Motors Corporation**, Seoul (KR)

(72) Inventors: **Jung-Wook Lim**, Seoul (KR);  
**Soo-Woon Jeon**, Seoul (KR)

(73) Assignee: **Kia Motors Corporation**, Seoul (KR)

(\*\*) Term: **15 Years**

(21) Appl. No.: **29/534,662**

(22) Filed: **Jul. 30, 2015**

(30) **Foreign Application Priority Data**

Feb. 16, 2015 (KR) ..... 30-2015-0008353

(51) **LOC (10) Cl.** ..... **26-06**

(52) **U.S. Cl.**  
USPC ..... **D26/28**

(58) **Field of Classification Search**

USPC ..... D14/447, 432, 434, 439, 440, 451, 452,  
D14/457, 250, 251, 253; D3/218;  
D6/406.3, 406.4, 406.5, 406.6  
CPC ..... A45C 2011/003; A45C 2011/002;  
A45C 13/002; A47B 2023/049; A47B  
2097/005; A47B 2097/006; A47B 21/04;  
A47B 23/00; A47B 23/043; A47B  
2021/0307; A47B 2023/005; F16M  
2200/00; H04B 1/3888; H04M  
1/185; H04M 1/04

See application file for complete search history.

(56) **References Cited**

**U.S. PATENT DOCUMENTS**

D674,941 S \* 1/2013 Lai ..... D26/28  
D710,044 S \* 7/2014 Lai ..... D26/28

D721,196 S \* 1/2015 Lai ..... D26/28  
D749,763 S \* 2/2016 Sa ..... D26/28  
D754,375 S \* 4/2016 Vena ..... D26/28  
D757,315 S \* 5/2016 Binder ..... D26/28  
D757,970 S \* 5/2016 Binder ..... D26/28  
D758,626 S \* 6/2016 Sperling ..... D26/28  
D761,454 S \* 7/2016 Futschik ..... D26/28  
D761,461 S \* 7/2016 Lai ..... D26/28  
D762,314 S \* 7/2016 Luk ..... D26/28

\* cited by examiner

*Primary Examiner* — Angela J Lee

(74) *Attorney, Agent, or Firm* — Mintz Levin Cohn Ferris  
Glovsky and Popeo, P.C.; Kongsik Kim

(57) **CLAIM**

The ornamental design for a head lamp for automobiles, as shown and described.

**DESCRIPTION**

FIG. 1 is a perspective view of a head lamp for automobiles according to the present invention.

FIG. 2 is a front view of the head lamp for automobiles of FIG. 1.

FIG. 3 is a rear view of the head lamp for automobiles of FIG. 1.

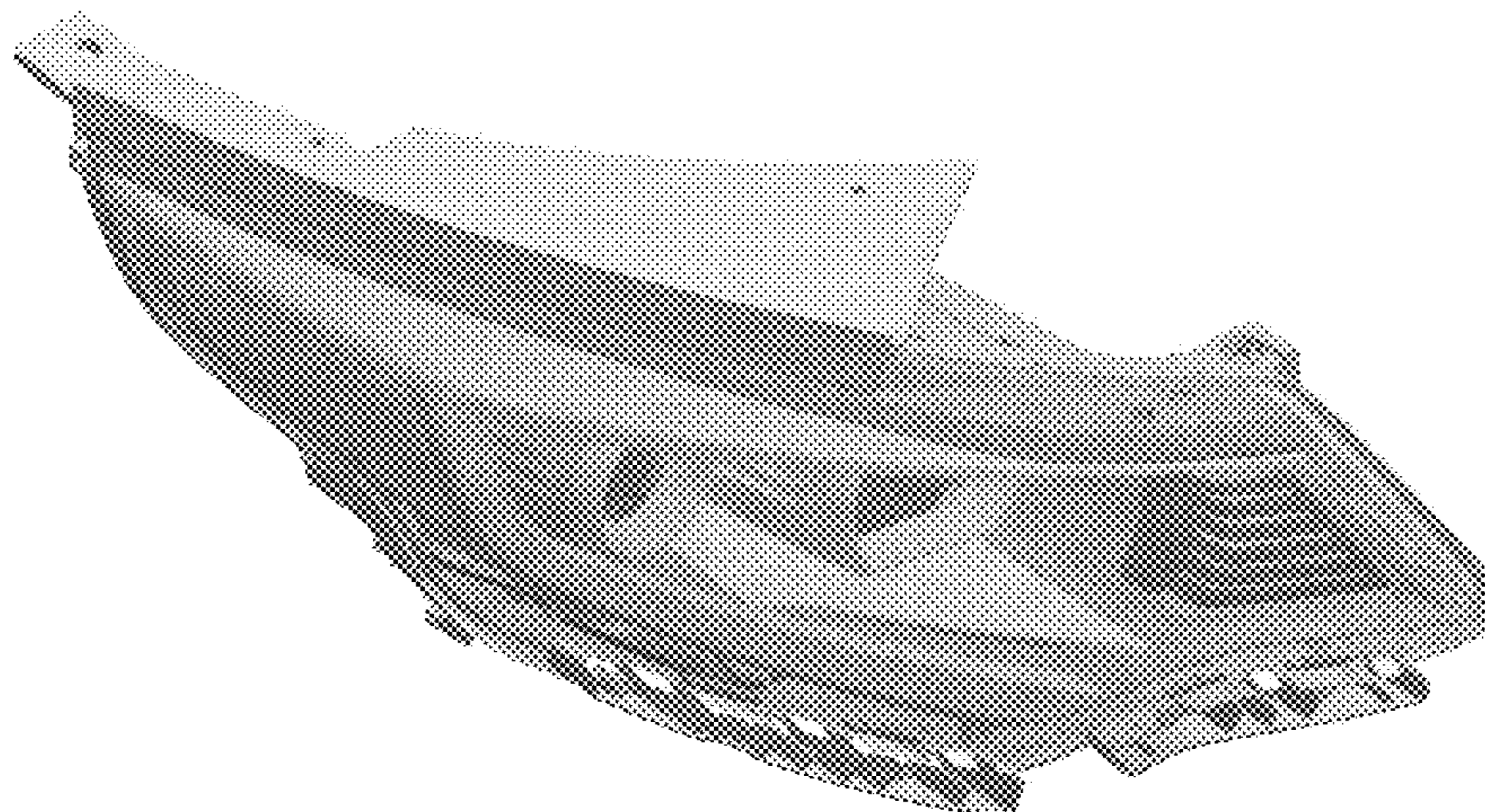
FIG. 4 is a left side view of the head lamp for automobiles of FIG. 1.

FIG. 5 is a right side view of the head lamp for automobiles of FIG. 1.

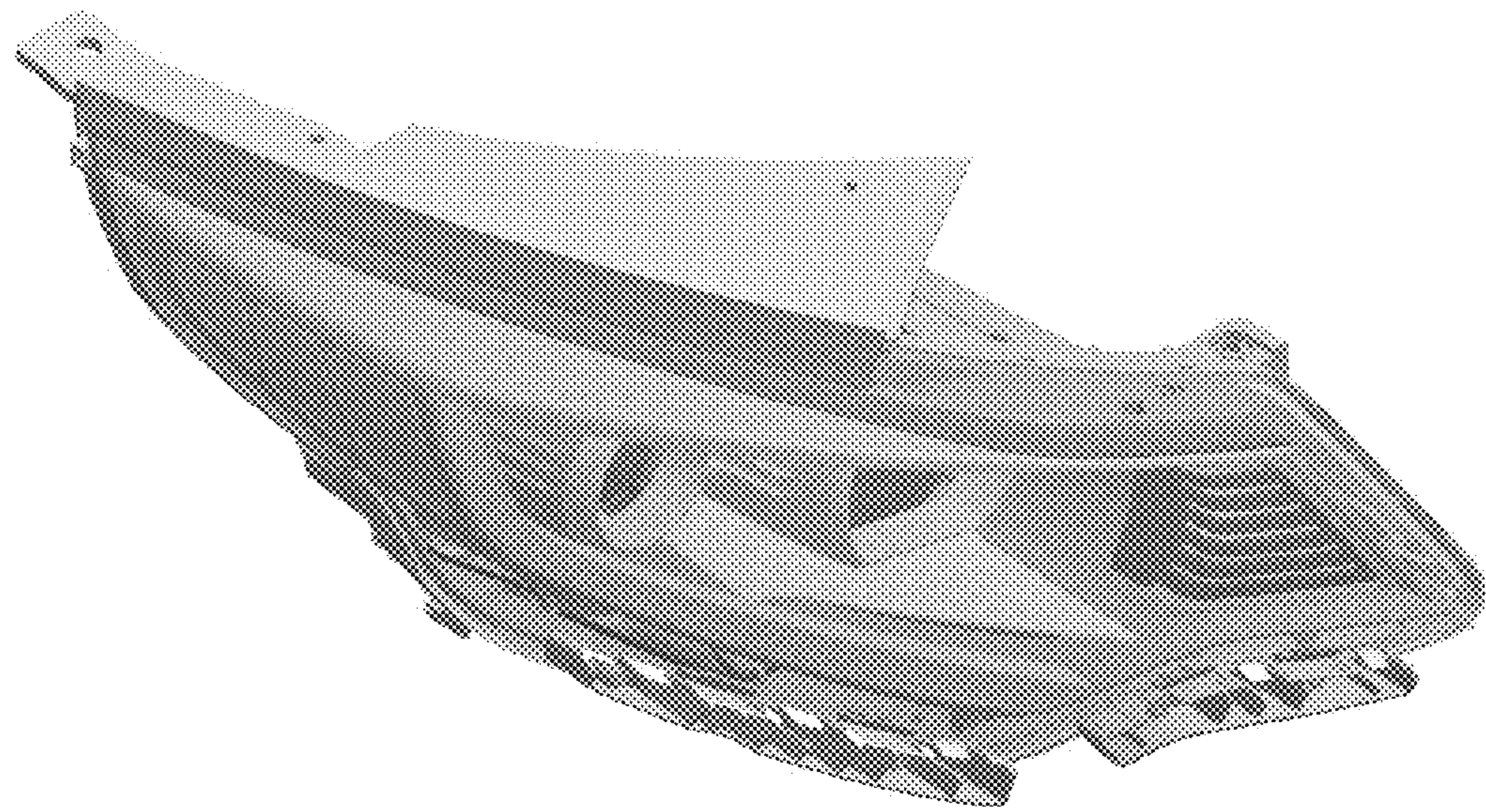
FIG. 6 is a top view of the head lamp for automobiles of FIG. 1; and,

FIG. 7 is a bottom view of the head lamp for automobiles of FIG. 1.

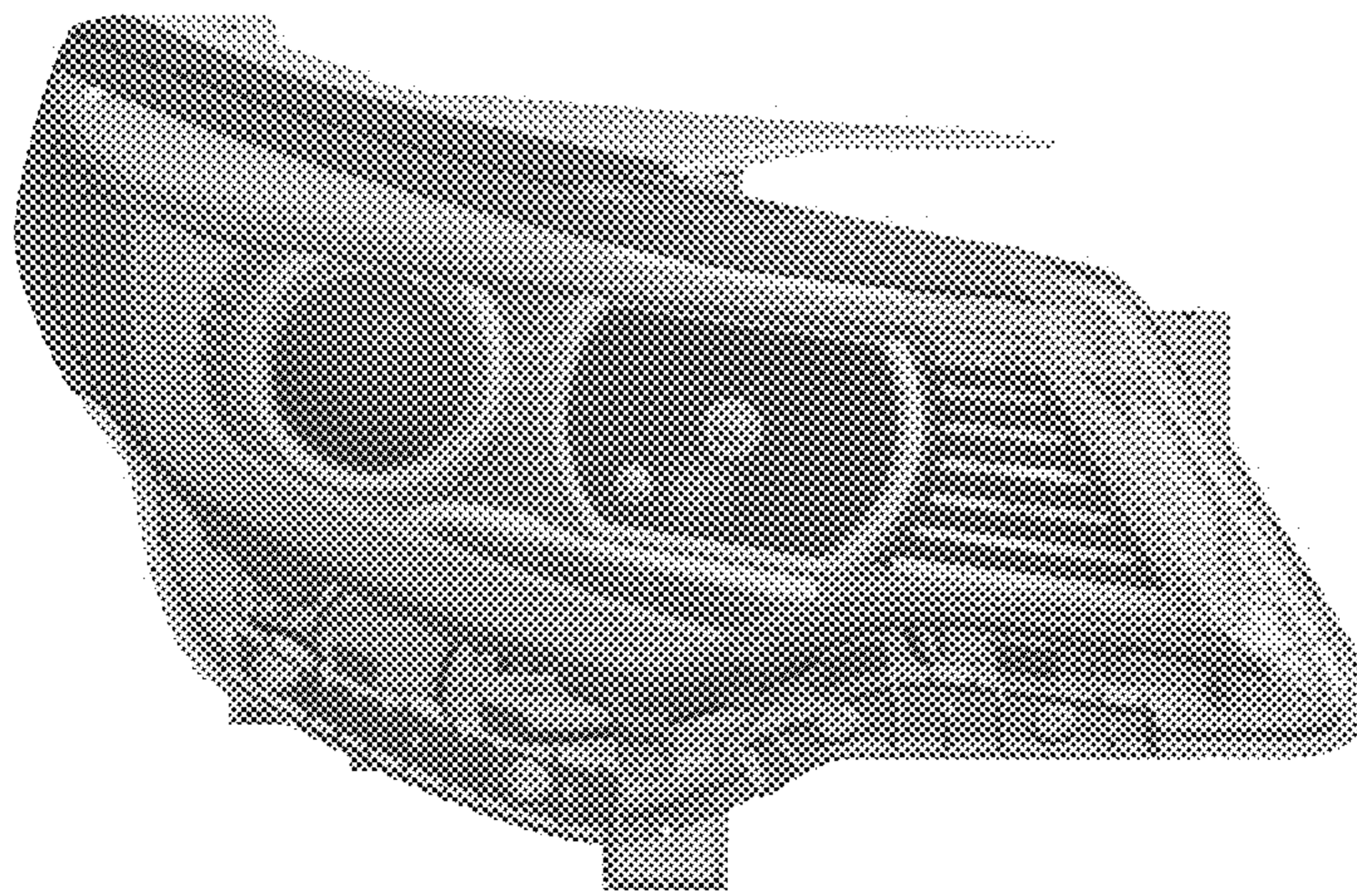
**1 Claim, 7 Drawing Sheets**



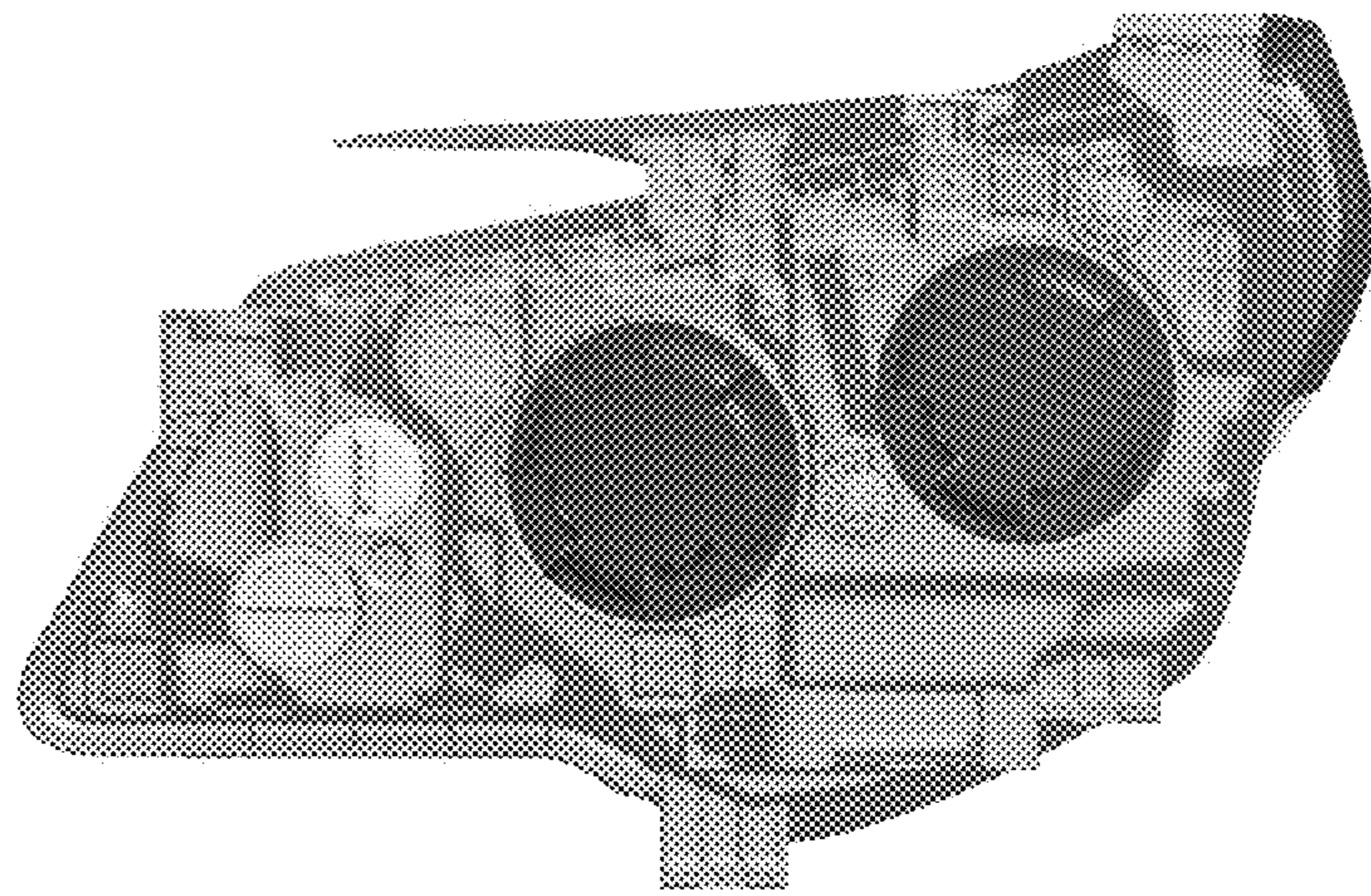
**FIG. 1**



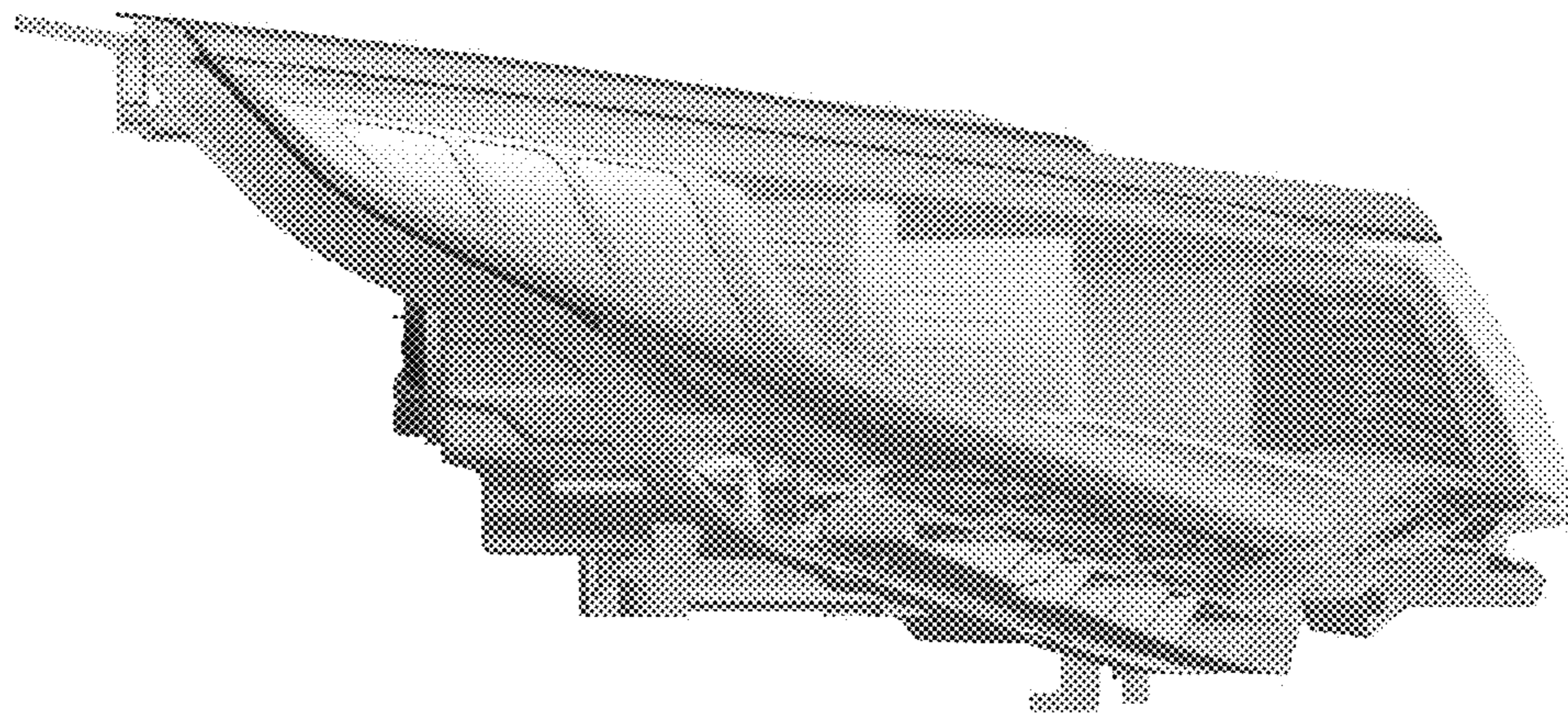
**FIG. 2**



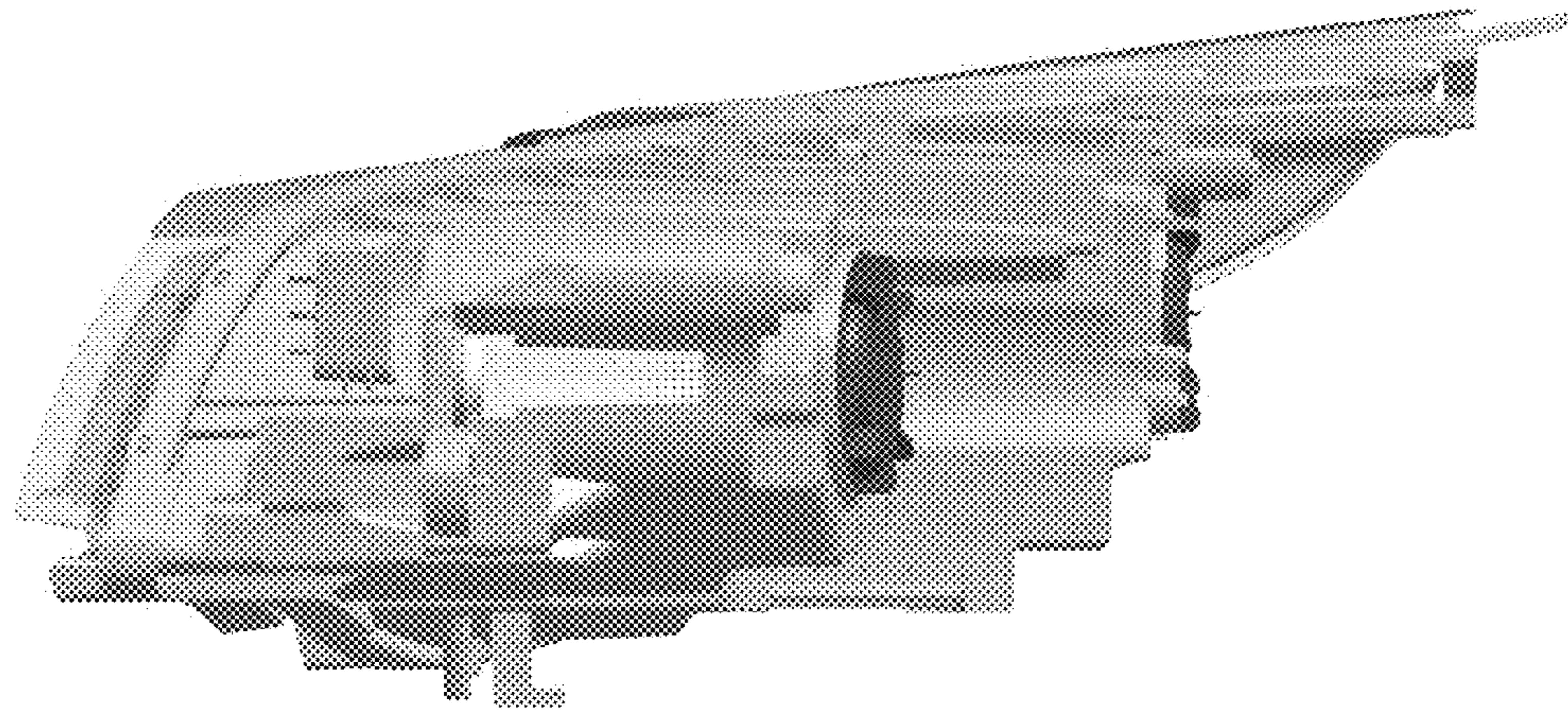
**FIG. 3**



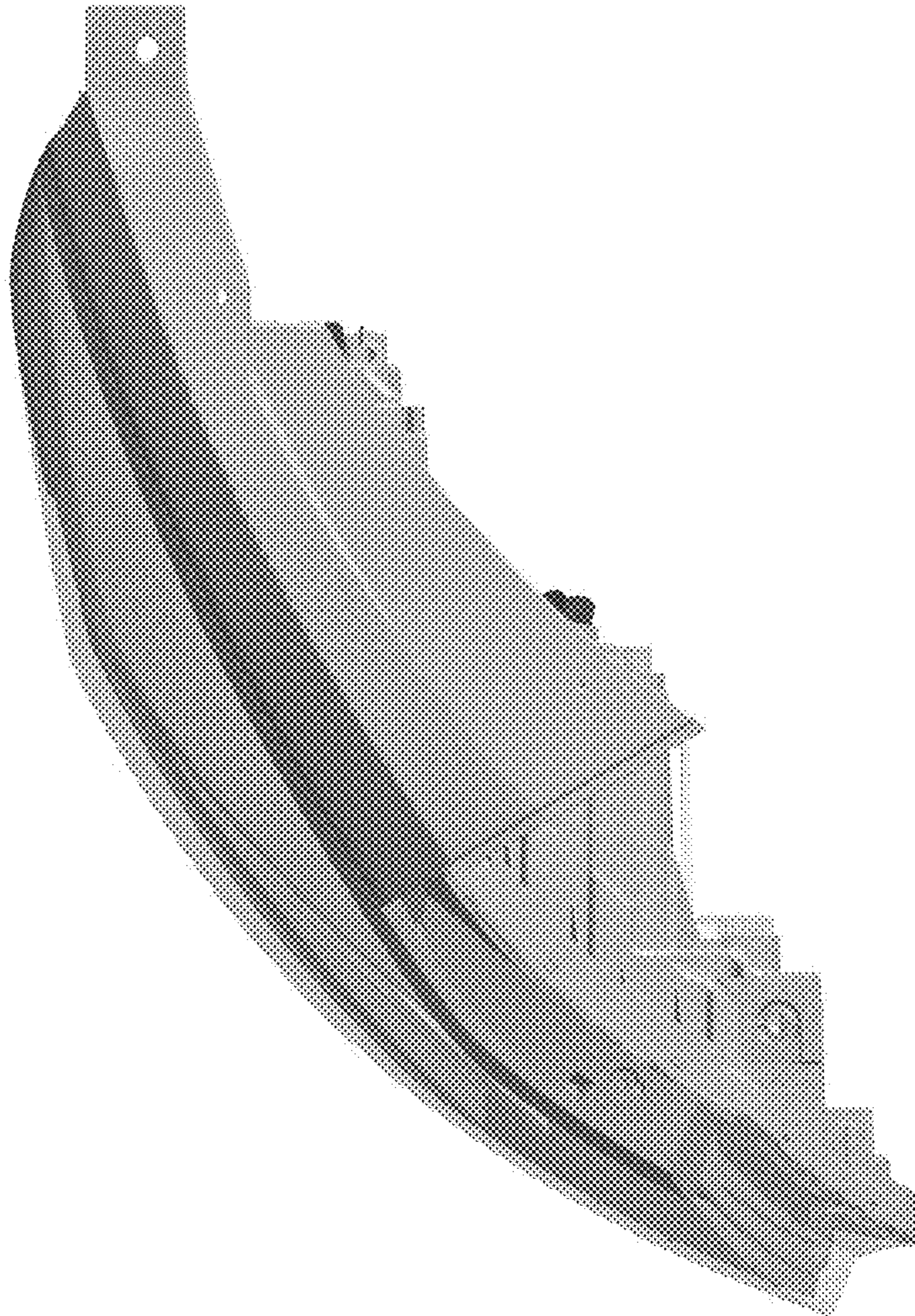
**FIG. 4**



**FIG. 5**



**FIG. 6**



**FIG. 7**

