



US00D773707S

(12) **United States Design Patent** (10) **Patent No.:** **US D773,707 S**
Lentine (45) **Date of Patent:** **** Dec. 6, 2016**

(54) **LANDSCAPE LIGHT**
(71) Applicant: **Lou Lentine**, Chattanooga, TN (US)
(72) Inventor: **Lou Lentine**, Chattanooga, TN (US)
(73) Assignee: **Telebrands Corp.**, Fairfield, NJ (US)
(**) Term: **14 Years**

D328,147 S 7/1992 Gecchelin
D333,526 S 2/1993 Taylor
D333,529 S 2/1993 Denison
5,280,417 A 1/1994 Hall
5,367,349 A 11/1994 Zeiler
5,398,180 A 3/1995 Lee
5,459,539 A 10/1995 Yamamoto
D365,169 S 12/1995 Fillipp
D370,070 S * 5/1996 Kay D26/63
5,613,799 A 3/1997 Guide
(Continued)

(21) Appl. No.: **29/507,757**

FOREIGN PATENT DOCUMENTS

(22) Filed: **Oct. 30, 2014**
(51) **LOC (10) Cl.** **26-03**
(52) **U.S. Cl.**
USPC **D26/63**

CN 204141534 2/2015
CN 303234579 S 6/2015
(Continued)

(58) **Field of Classification Search**
USPC ... D26/24, 60-66, 72, 85, 92, 113, 118, 119
CPC F21V 21/14; F21V 15/01; F21V 14/02;
F21V 21/30; F21V 14/00; F21Y
2105/001; F21S 8/00

OTHER PUBLICATIONS

Laser Light, available at www.amazon.com, accessed on Nov. 13, 2015.
(Continued)

See application file for complete search history.

Primary Examiner — Brian N Vinson
(74) *Attorney, Agent, or Firm* — Cooper & Dunham, LLP

(56) **References Cited**

(57) **CLAIM**

U.S. PATENT DOCUMENTS

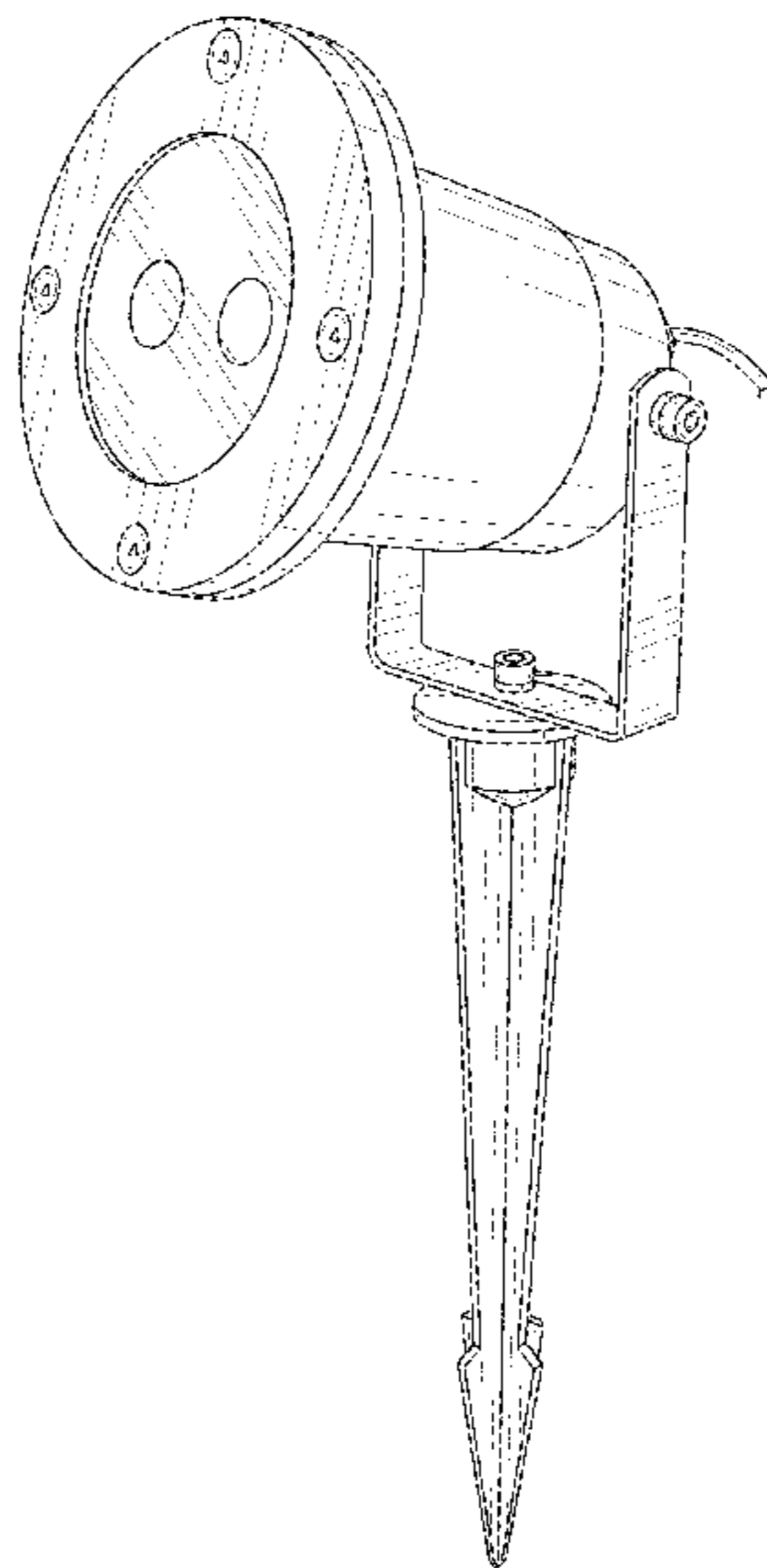
The ornamental design for a landscape light, as shown and described.

3,104,064 A 9/1963 Bellek
D231,559 S 4/1974 Darling
D233,778 S 11/1974 Kennedy
D233,779 S 11/1974 Kennedy
D234,710 S 4/1975 Beeren
4,114,112 A 9/1978 Epstein
4,307,528 A 12/1981 Dewees
4,458,124 A 7/1984 Kroth
D278,215 S 4/1985 Patterson
4,557,055 A 12/1985 Arai
D282,104 S 1/1986 Taylor
4,779,176 A 10/1988 Bornhorst
4,814,961 A 3/1989 O'Brien
5,036,447 A 7/1991 Taylor
D323,406 S 1/1992 Fisher
5,086,379 A 2/1992 Denison

DESCRIPTION

FIG. 1 is a front perspective view;
FIG. 2 is a front elevation view;
FIG. 3 is a rear elevation view;
FIG. 4 is a left side elevation view;
FIG. 5 is a right side elevation view;
FIG. 6 is a top view; and,
FIG. 7 is a bottom view.

1 Claim, 5 Drawing Sheets



(56)

References Cited

OTHER PUBLICATIONS

U.S. PATENT DOCUMENTS

5,626,418	A	5/1997	Angelis	
D414,579	S *	9/1999	Denison	D26/63
5,971,545	A	10/1999	Haitz	
6,000,813	A	12/1999	Krietzman	
6,145,228	A	11/2000	LaChance	
D437,071	S	1/2001	Andrus	
D438,999	S	3/2001	Bossy	
6,304,237	B1	10/2001	Karakawa	
D482,476	S	11/2003	Kwong	
6,722,771	B1	4/2004	Stephens	
6,874,893	B2	4/2005	Park	
D506,282	S	6/2005	Benghozi	
D506,283	S	6/2005	Benghozi	
D541,966	S	5/2007	Benghozi	
D550,877	S	9/2007	Mullen	
D551,789	S	9/2007	Mullen	
7,369,584	B2	5/2008	Goldman	
D574,532	S *	8/2008	Lee	D26/63
D577,453	S	9/2008	Metlen	
D589,191	S	3/2009	Sabernig	
D604,882	S	11/2009	Mier-Langner	
RE41,050	E	12/2009	Panasewicz	
D605,325	S	12/2009	Sanoner	
7,641,345	B2	1/2010	Johnson	
D616,586	S	5/2010	Sabernig	
D619,289	S	7/2010	You	
D619,290	S	7/2010	You	
D625,871	S	10/2010	Huang	
7,832,918	B2	11/2010	Chien	
D632,414	S	2/2011	Croce	
8,003,886	B1	8/2011	Rintz	
D649,671	S	11/2011	Ferro	
8,057,045	B2	11/2011	Johnson	
8,100,537	B2	1/2012	Johnson	
8,100,538	B2	1/2012	Kuroda	
D659,871	S *	5/2012	Lee	D26/63
D667,981	S *	9/2012	Connolly	D26/63
8,297,825	B2	10/2012	Onishi	
8,303,129	B1	11/2012	Thielen	
8,366,292	B2	2/2013	McDermott	
8,376,574	B2	2/2013	Spartano	
8,436,553	B2	5/2013	Zampini	
8,480,233	B2	7/2013	Smith	
8,693,513	B2	4/2014	Achtenhagen	
8,721,160	B2	5/2014	Chien	
D723,726	S *	3/2015	Reed	D26/63
D738,023	S *	9/2015	Rosello Gratacos	D26/63
2002/0101571	A1	8/2002	Panasewicz	
2003/0189825	A1	10/2003	Tauch	
2004/0119951	A1	6/2004	Vitantonio	
2005/0024863	A1	2/2005	Phipps	
2006/0158138	A1	7/2006	Walter	
2006/0198153	A1	9/2006	Chien	
2007/0064290	A1	3/2007	Hochenbleicher	
2008/0316732	A1	12/2008	Blake	
2009/0122564	A1	5/2009	Beadle	
2009/0168026	A1	7/2009	Chen	
2010/0053969	A1	3/2010	Weinheimer	
2014/0036487	A1	8/2012	Adams	
2013/0088723	A1	4/2013	Feldkhun	
2013/0257297	A1	10/2013	Schmidt	
2015/0035437	A1	2/2015	Panopoulos	
2015/0159842	A1	6/2015	Zhang	

FOREIGN PATENT DOCUMENTS

CN	204629169	U	9/2015
EP	1 024 399		2/2000
WO	WO 2015/094009		6/2015
WO	WO 2015/143450		9/2015
WO	WO 2015/149877		10/2015

Night Stars, available at www.amazon.com, accessed Nov. 13, 2015.

Poeland Garden Laser Landscape, available at www.amazon.com, accessed Nov. 13, 2015.

Remote Controllable RGB Laser, available at www.amazon.com, accessed Nov. 13, 2015.

Newest Garden Tree and Outdoor Wall Decoration Laser, available at www.amazon.com, accessed Nov. 13, 2015.

Pepnice Red and Green Firefly Laser Light, available at www.amazon.com, accessed Nov. 13, 2015.

KLAREN Color Laser Light Projector, available at www.amazon.com, accessed Nov. 13, 2015.

Garden Tree and Outdoor Wall Decoration Laser Lights for Holiday Lighting, available at www.amazon.com, accessed Nov. 13, 2015.

Green and Red Light Garden Tree and Outdoor Wall Decoration Laser Lights, available at www.amazon.com, accessed Nov. 13, 2015.

Moving RED and Green 2 Color Laser Landscape Projector Light w/ Remote, available at www.amazon.com, accessed Nov. 13, 2015.

SeresRoad Outdoor Waterproof Star Projector, Landscape Projector, available at www.amazon.com, accessed on Nov. 13, 2015.

Us-vision AGO-20RG Modern Outdoor/ Indoor 20 Patterns Gobos Rg Laser Projector, available at www.amazon.com, accessed Nov. 13, 2015.

Sminiker Outdoor Laser Light Sparkle Magic Lights Landscape Light Holiday Light, available at www.amazon.com, accessed Nov. 13, 2015.

Us-vision Outdoor Holiday Waterproof Green Laser Lighting Show, available at www.amazon.com, accessed Nov. 13, 2015.

Improvements All-metal 4-in-1 Projection Light with Remote, available at www.amazon.com, accessed Nov. 13, 2015.

KLAREN Color Laser Light Projector—Improvements, available at www.amazon.com, accessed Nov. 13, 2015.

Light Flurries, available at www.lightflurries.com, accessed Mar. 17, 2016.

Outdoor Indoor Spright Smart Firefly Light with Timer Green, available at www.amazon.com, accessed May 2, 2016.

Blisslights Spright Spring Smart Outdoor Indoor Firefly Light Projector with Timer, available at www.amazon.com, accessed May 2, 2016.

Mr. Christmas Super Green Laser Light Show, available at www.amazon.com, accessed May 2, 2016.

BlissLights Motion Laser, available at www.amazon.com, accessed May 2, 2016.

Color Laser Lights Instructions, published 2014.

BlissLights Spright Smart User Guide, published 2014.

International Search Report PCT/US2016/021347, published May 17, 2016.

Written Opinion of International Search Authority PCT/US2016/021347, published May 17, 2016.

International Search Report PCT/US2016/021338, published May 16, 2016.

Written Opinion of International Search Authority PCT/US2016/021338, published May 16, 2016.

International Search Report PCT/US2016/021354, published Jun. 30, 2016.

Written Opinion of International Search Authority PCT/US2016/021354, published Jun. 30, 2016.

* cited by examiner

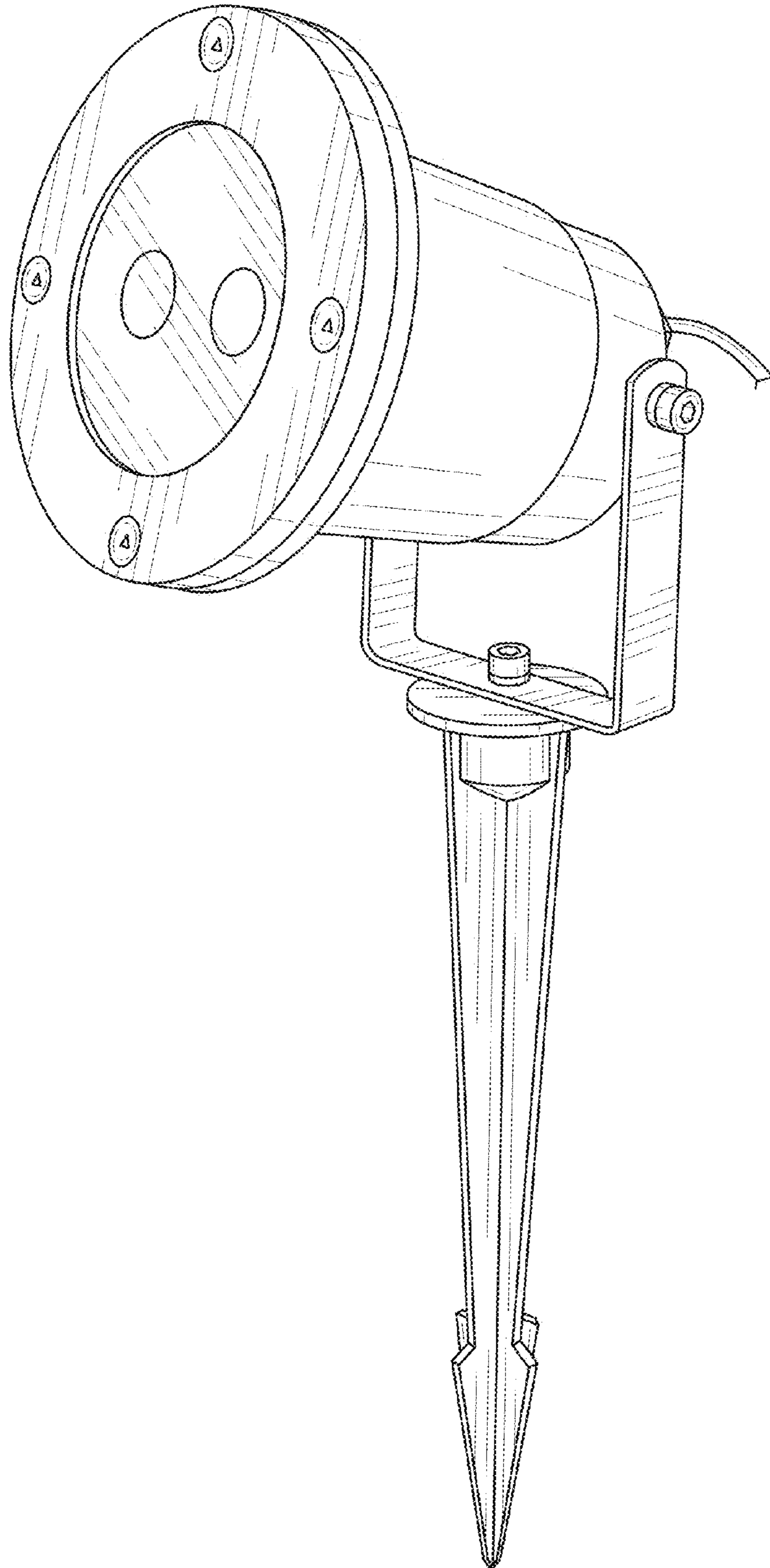


FIG. 1

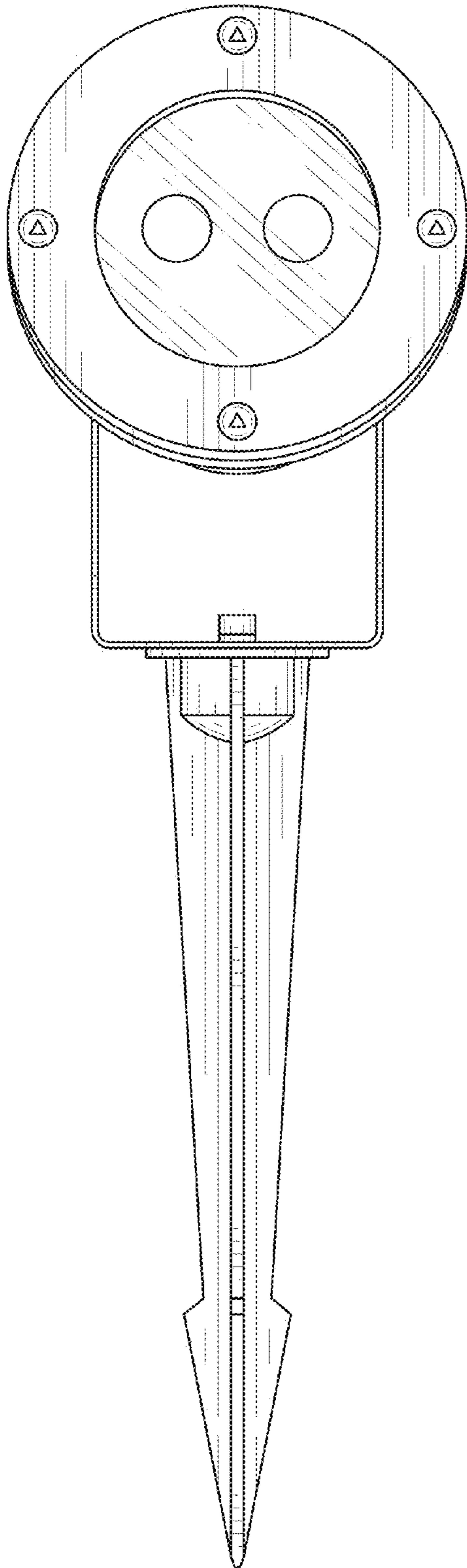


FIG. 2

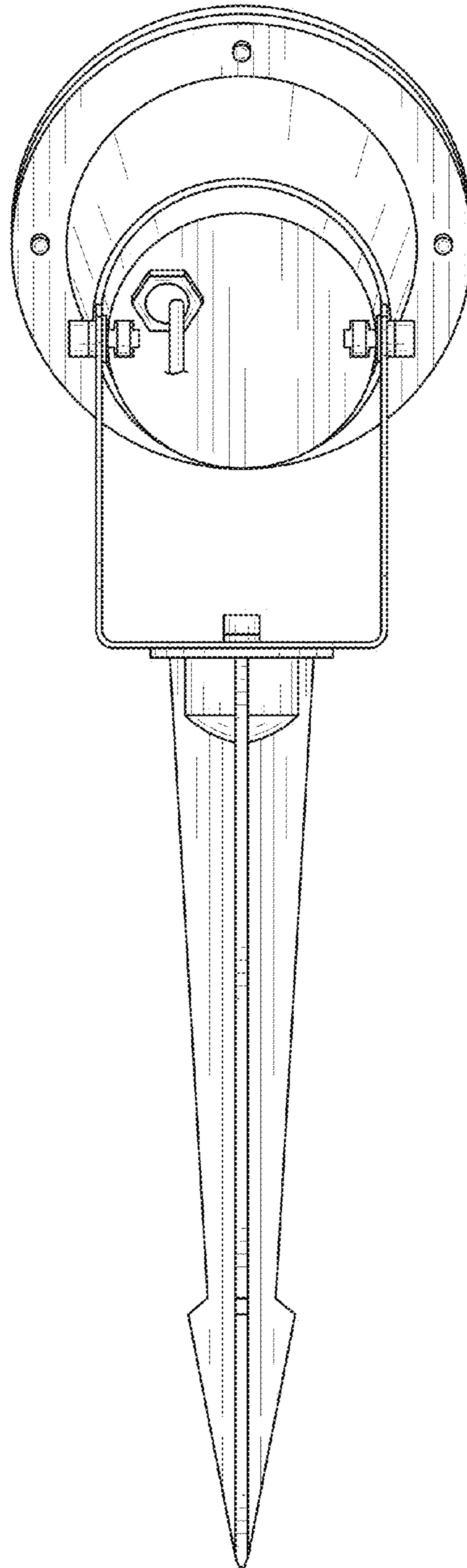


FIG. 3

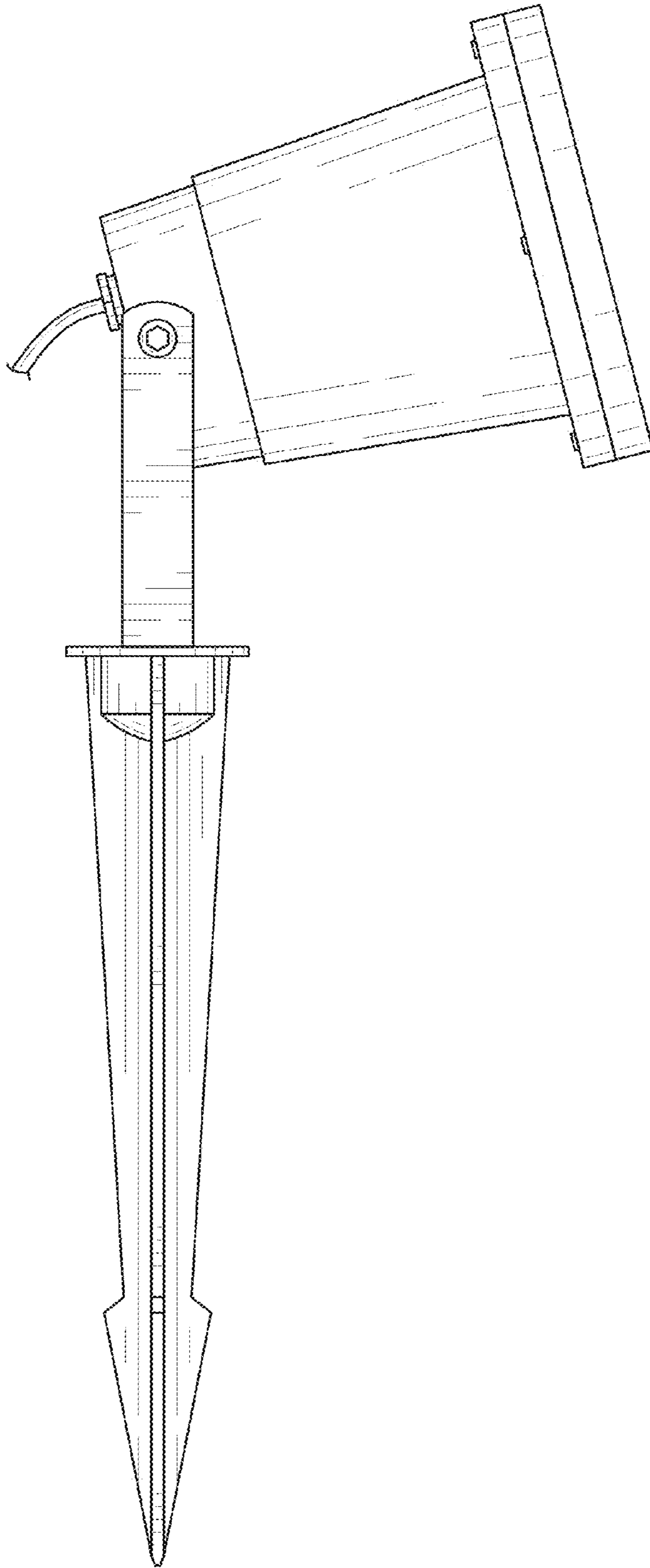


FIG. 4

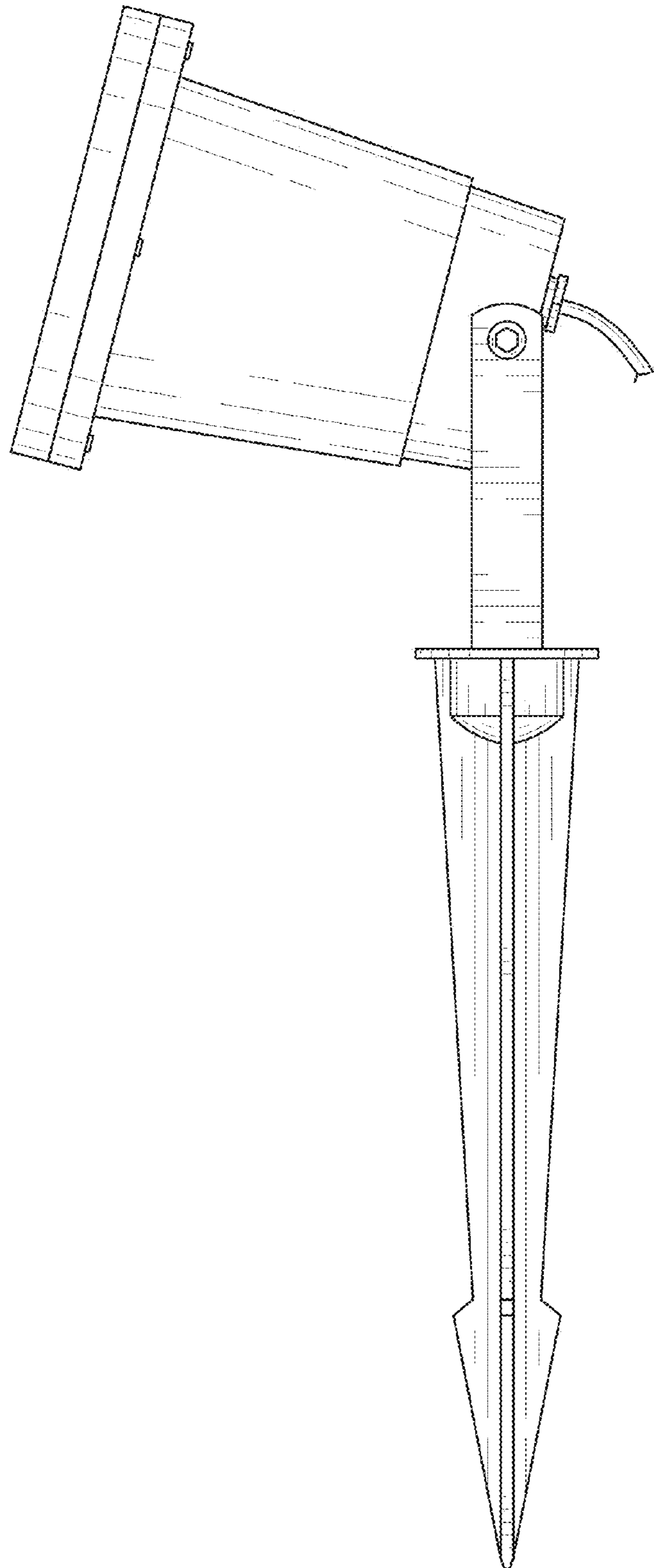


FIG. 5

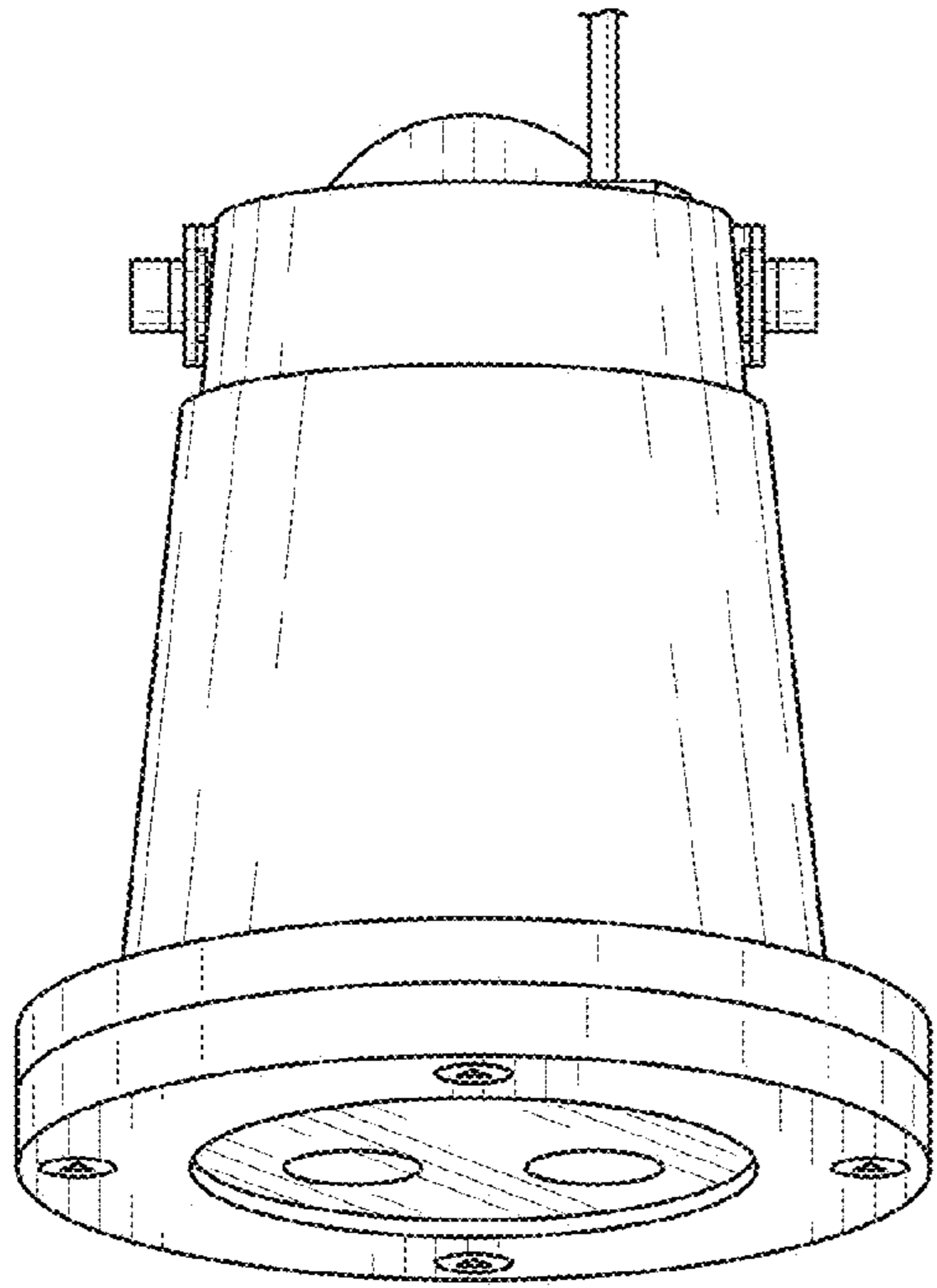


FIG. 6

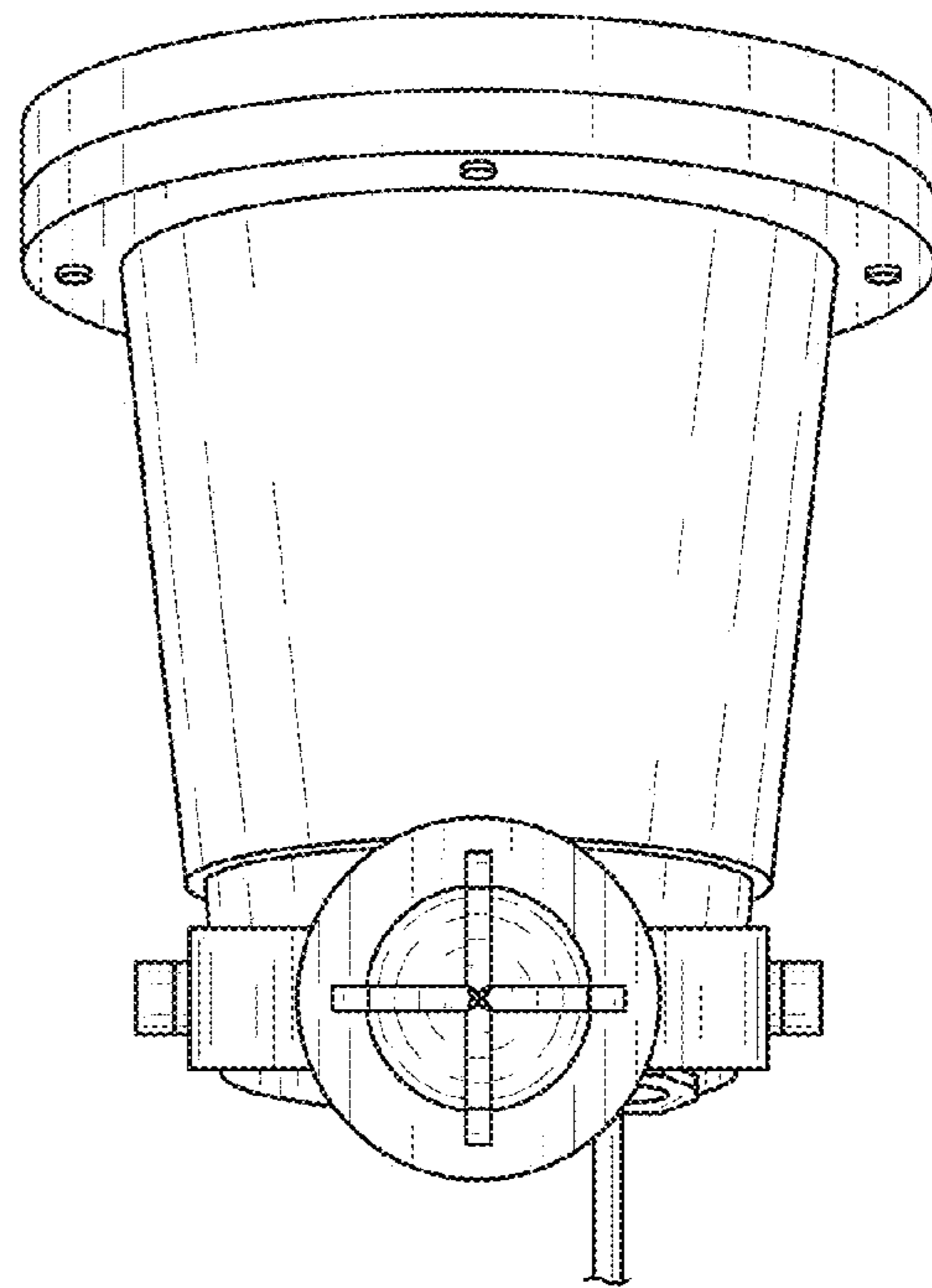


FIG. 7