



US00D471010S

(12) **United States Design Patent**
Wolf

(10) **Patent No.:** **US D471,010 S**

(45) **Date of Patent:** **** Mar. 4, 2003**

(54) **OCTAGONAL JEWELRY BOX**

D455,550 S * 4/2002 Wolf D3/275
D455,902 S * 4/2002 Wolf D3/275

(75) Inventor: **Simon Wolf**, Malibu, CA (US)

* cited by examiner

(73) Assignee: **Wolf Designs, Inc.**, Malibu, CA (US)

Primary Examiner—Philip S. Hyder

(**) Term: **14 Years**

(74) *Attorney, Agent, or Firm*—Cislo & Thomas LLP

(21) Appl. No.: **29/161,071**

(57) **CLAIM**

(22) Filed: **May 20, 2002**

The ornamental design for a octagonal jewelry box, as shown and described herein.

(51) **LOC (7) Cl.** **03-01**

DESCRIPTION

(52) **U.S. Cl.** **D3/294; D3/901; D3/294**

(58) **Field of Search** D3/294, 273, 275,
D3/274, 901, 276, 295, 283; 190/110, 111,
109; 206/6.1, 566; D9/423, 424

FIG. 1. Is a front perspective view of my octagonal jewelry box shown in the open position;

FIG. 2. Is a perspective view of my octagonal jewelry box as shown in the closed position relative to FIG. 1;

FIG. 3. Is a top view thereof;

FIG. 4. Is a bottom view thereof;

FIG. 5. Is a front view thereof;

FIG. 6. Is a back view thereof; and,

FIG. 7. Is a right side elevational view thereof with the left side elevational view being a mirror image thereof.

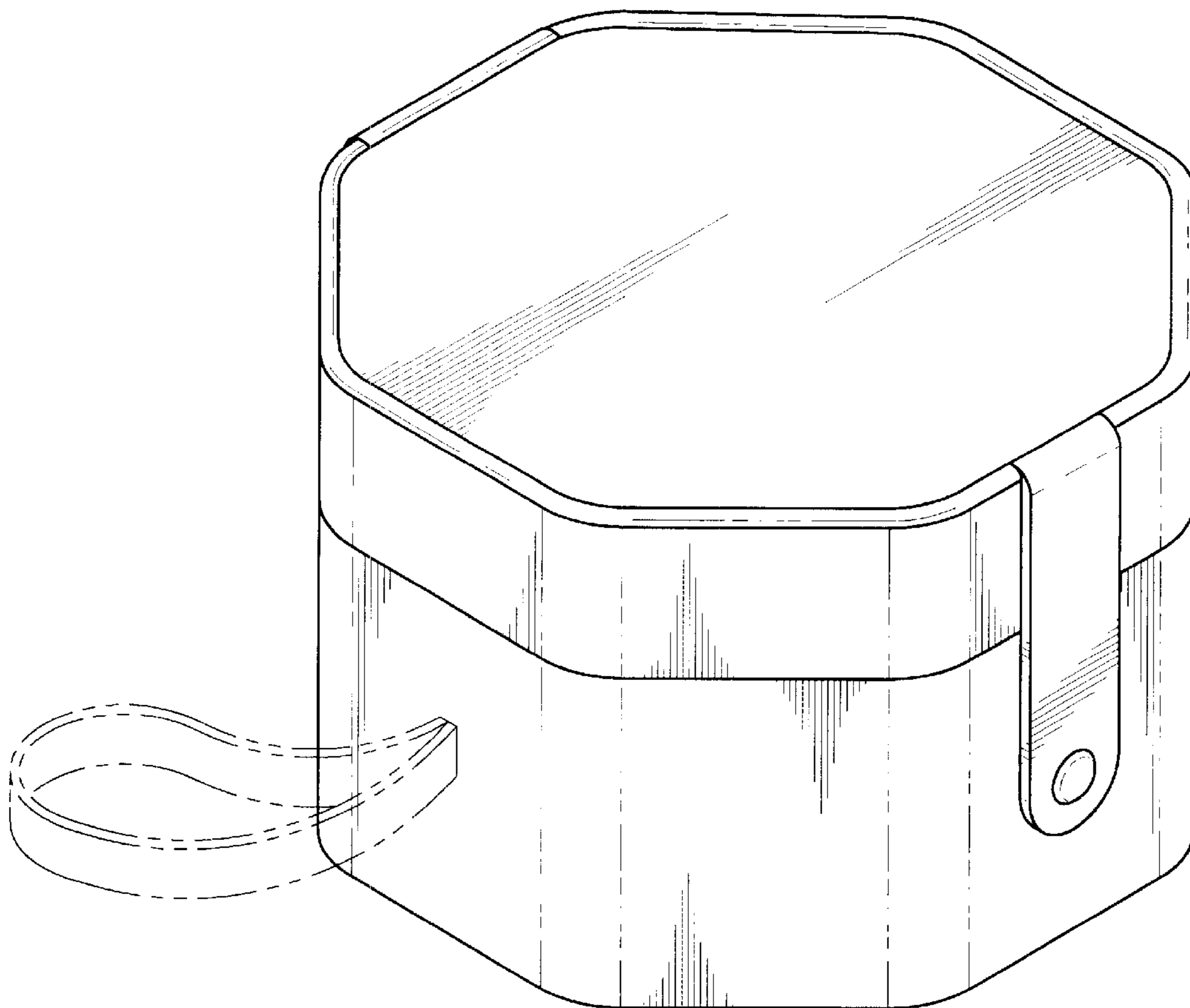
The broken line portions of the drawings are for illustrative purposes only and form no part of the claimed design.

(56) **References Cited**

U.S. PATENT DOCUMENTS

D202,160 S	*	8/1965	Territo	D3/284
D342,156 S	*	12/1993	Turner	D3/284
5,692,605 A	*	12/1997	Lai	206/6.1
D417,783 S	*	12/1999	Wolf	D3/297
D443,137 S	*	6/2001	Lai	D3/295
D451,671 S	*	12/2001	Wolf	D3/275
D454,687 S	*	3/2002	Wolf	D3/275

1 Claim, 4 Drawing Sheets



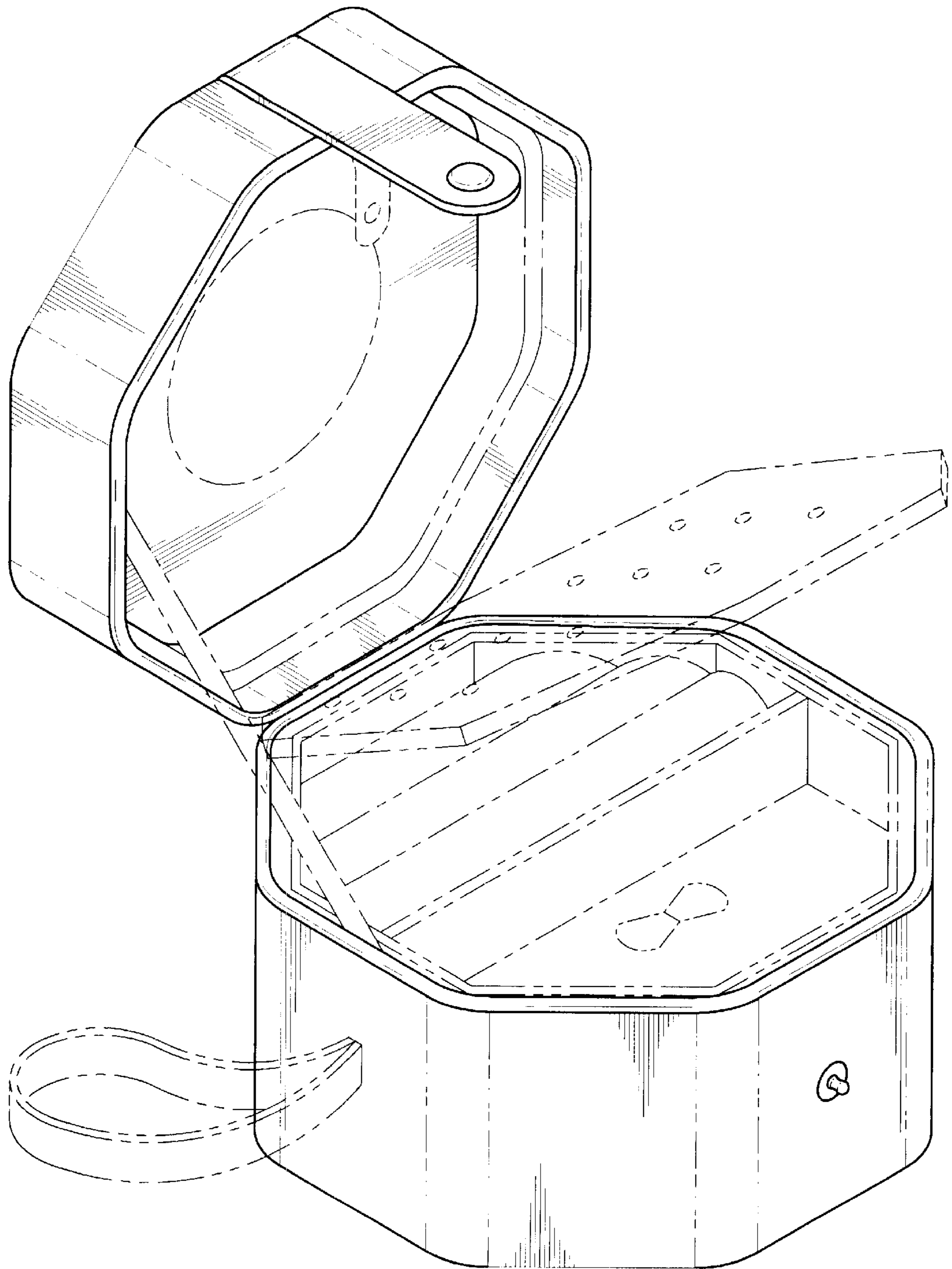


FIG. 1

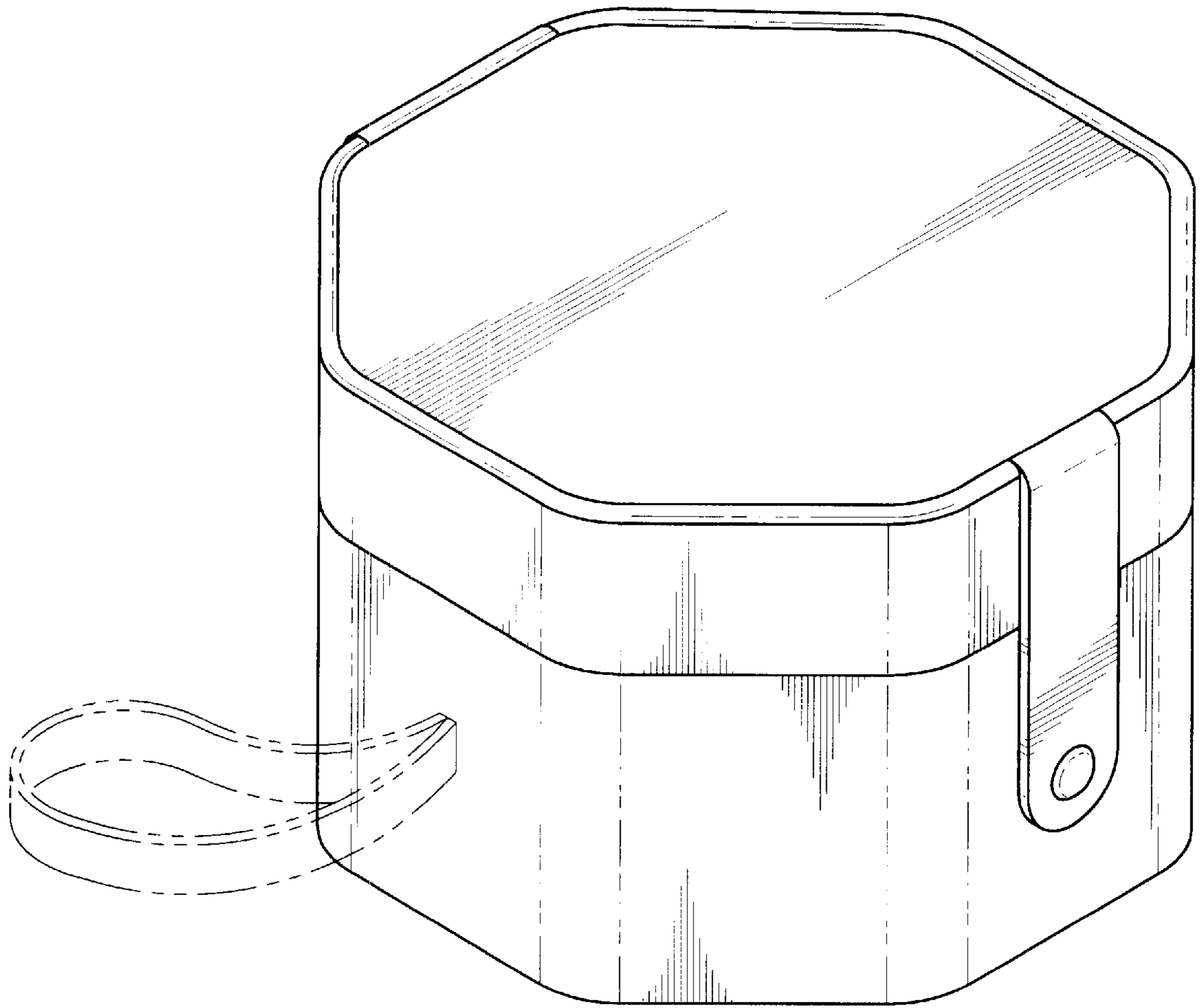


FIG. 2

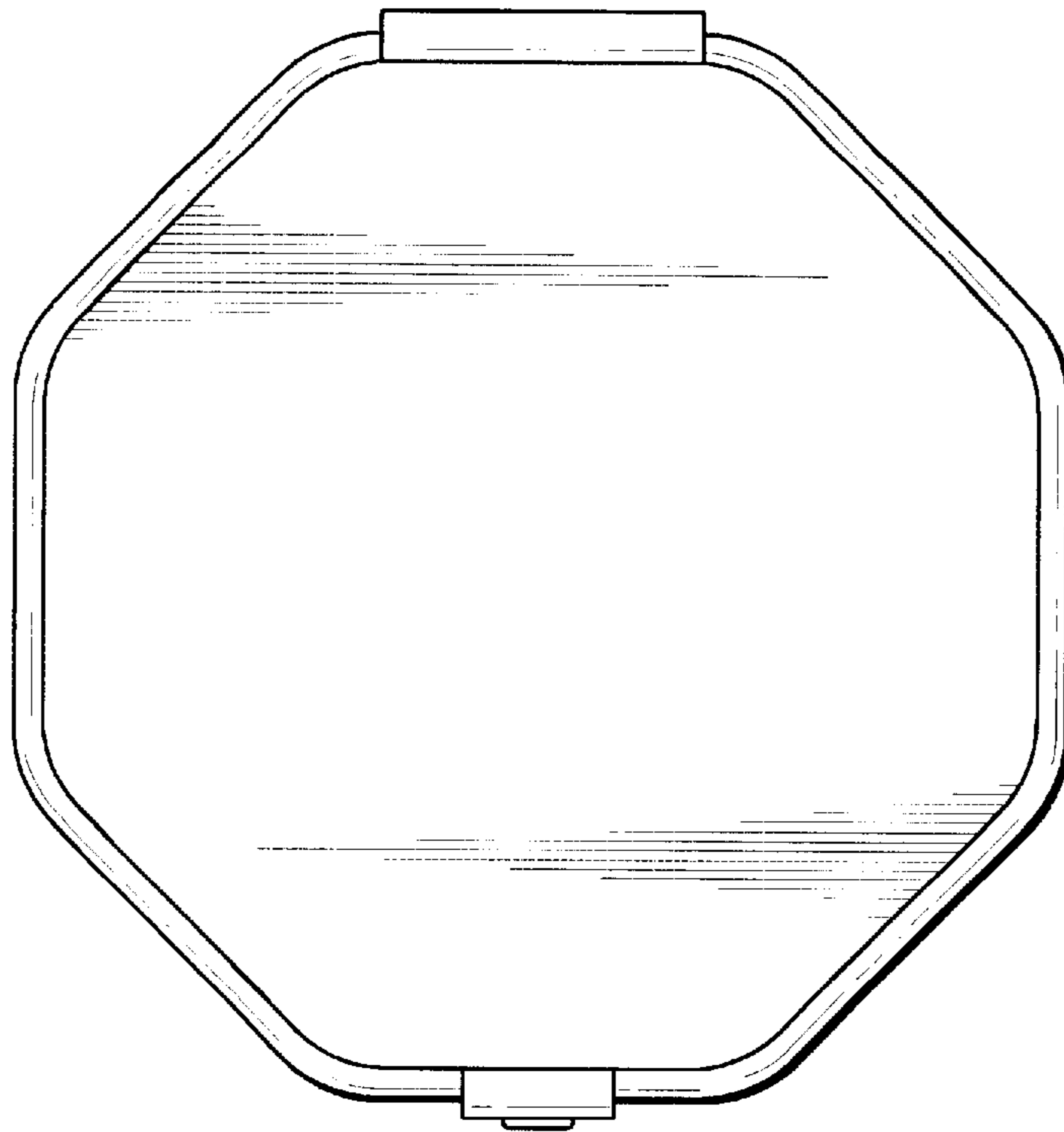


FIG. 3

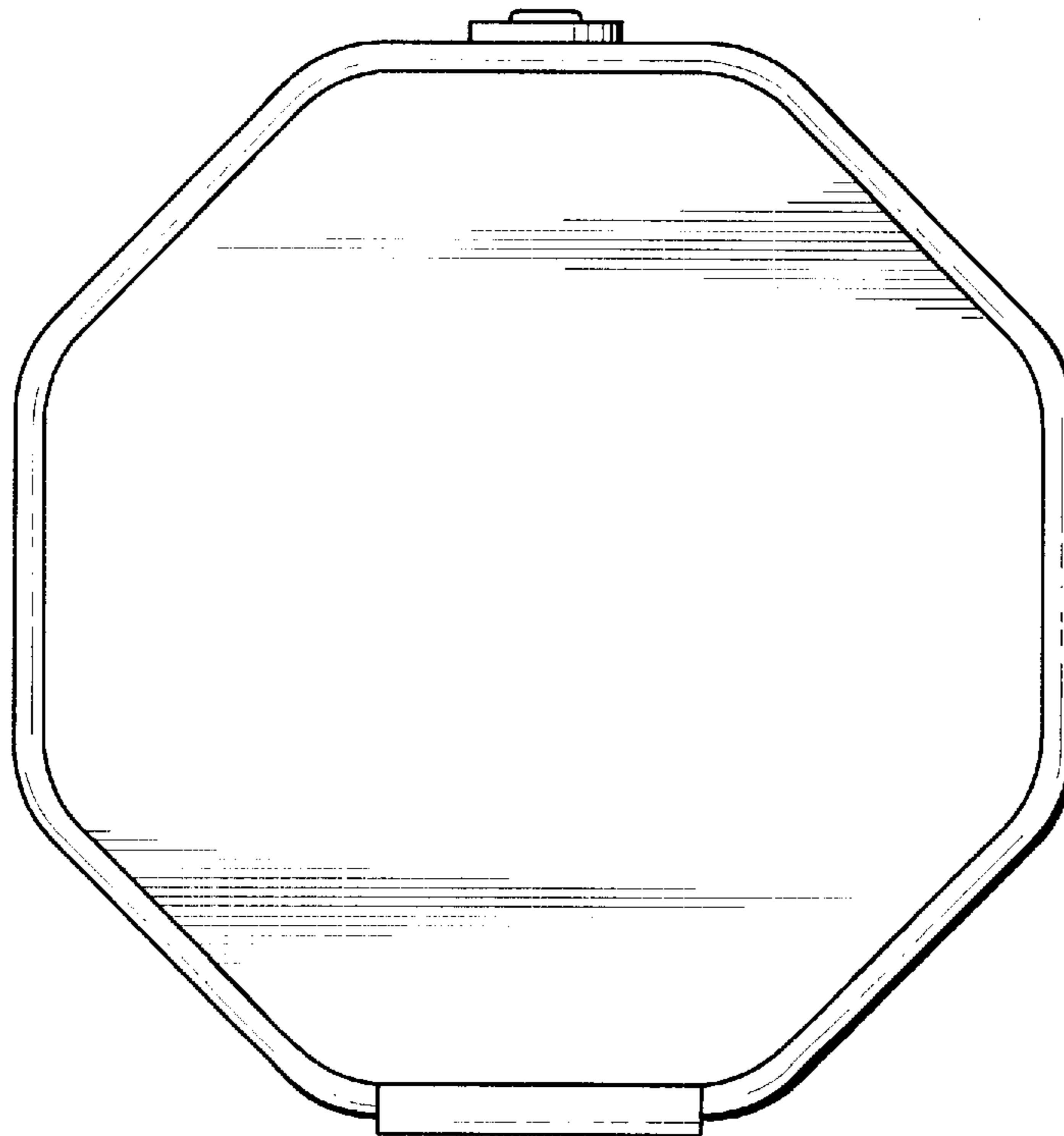


FIG. 4

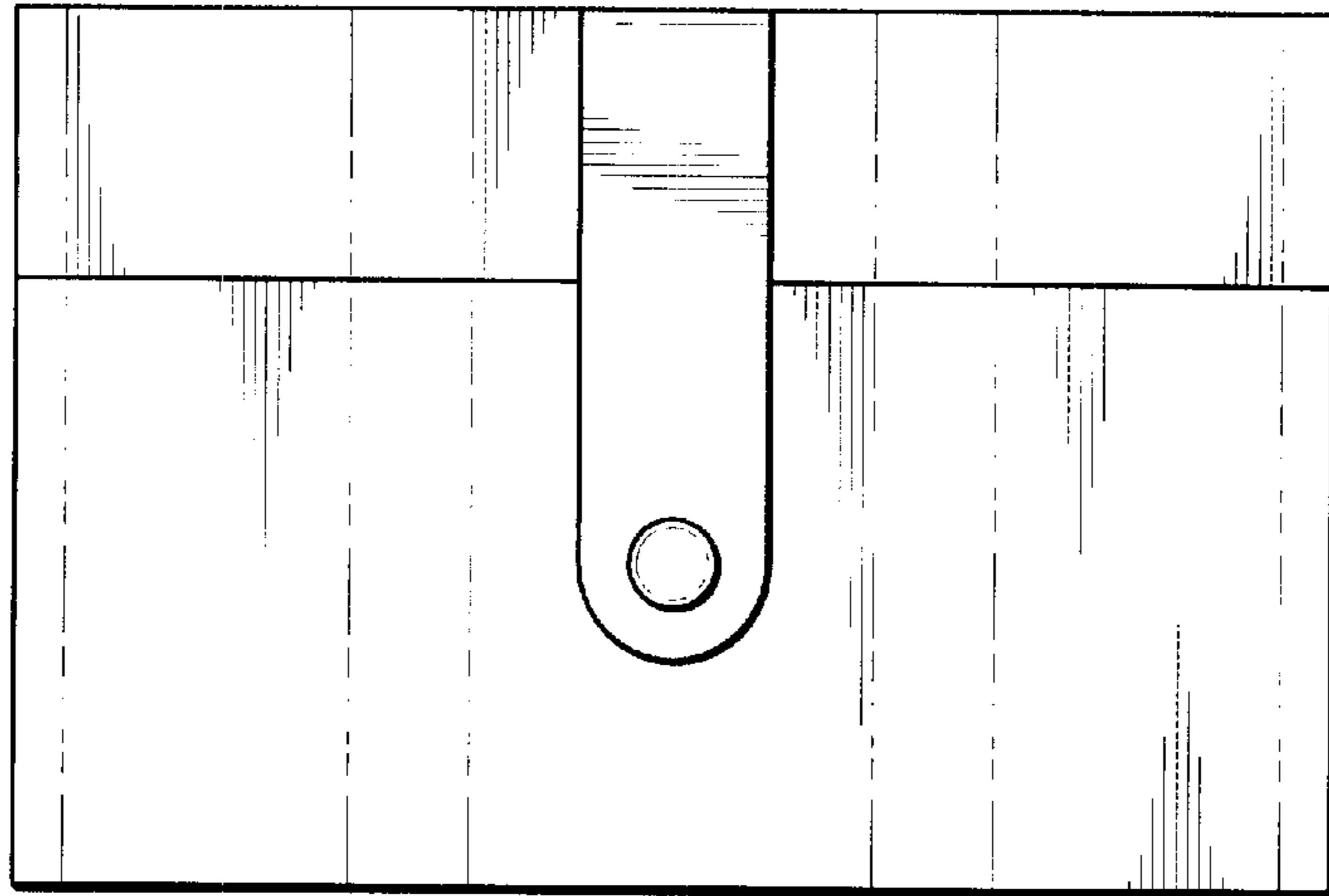


FIG. 5

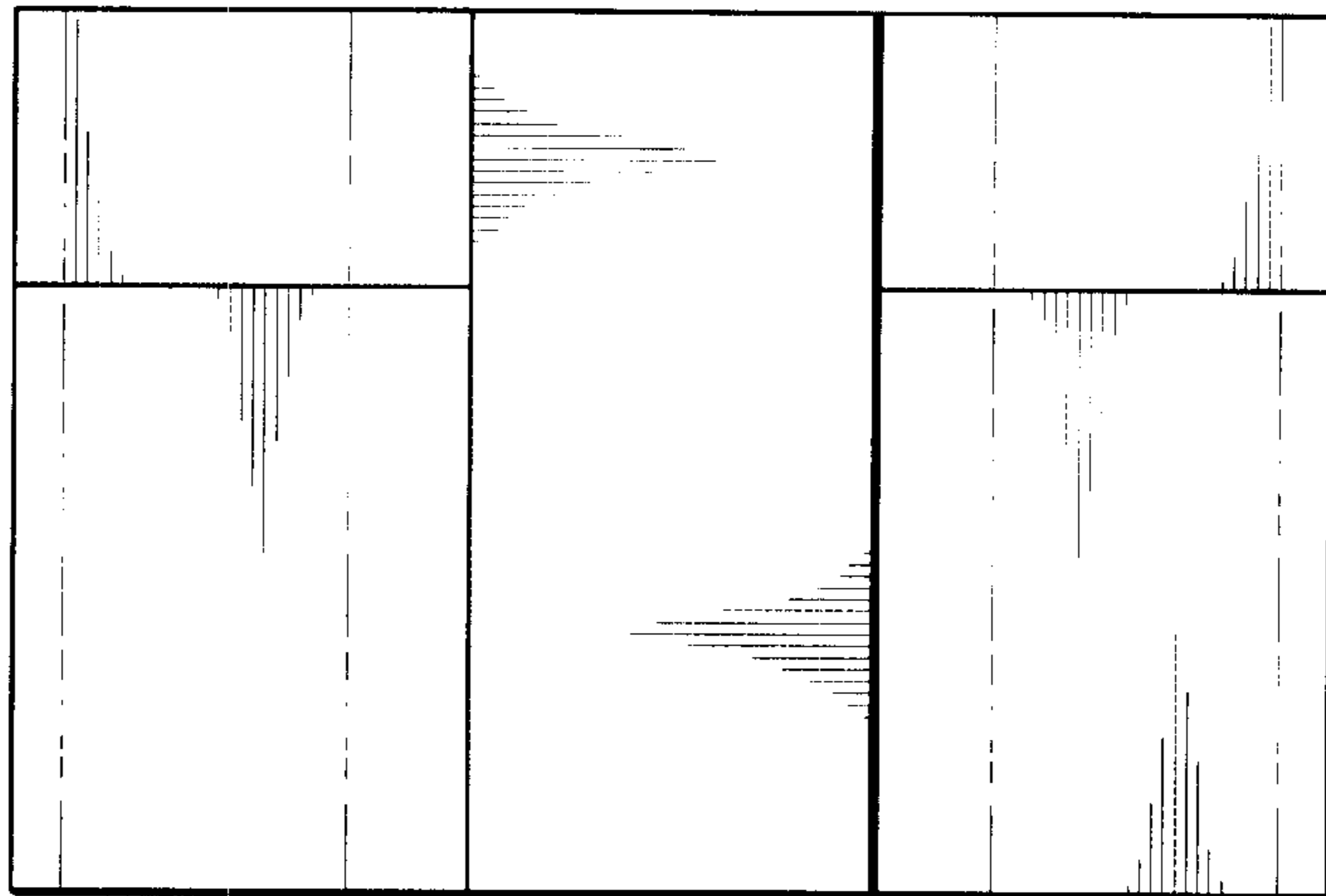


FIG. 6

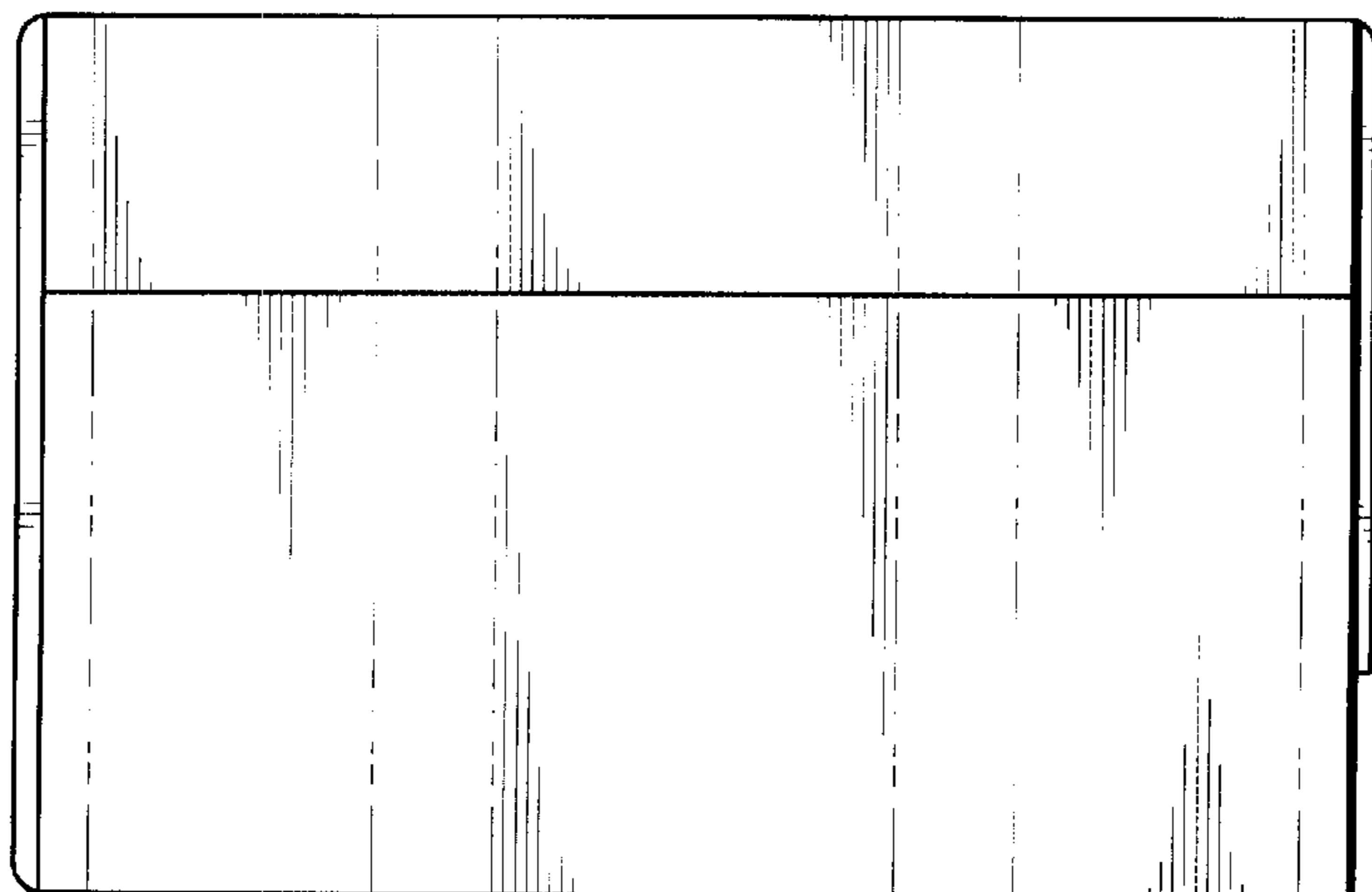


FIG. 7