

US00D760889S

(12) **United States Design Patent**
Evans et al.

(10) **Patent No.:** **US D760,889 S**
(45) **Date of Patent:** **** Jul. 5, 2016**

- (54) **MOUTH GUARD**
- (71) Applicant: **Battle Sports Science, LLC**, Omaha, NE (US)
- (72) Inventors: **Michael Evans**, Elkhorn, NE (US); **Christopher W. Circo**, Bennington, NE (US); **Jeffrey M. Evans**, Omaha, NE (US)
- (73) Assignee: **BATTLE SPORTS SCIENCE, LLC**, Omaha, NE (US)
- (**) Term: **14 Years**
- (21) Appl. No.: **29/511,660**
- (22) Filed: **Dec. 12, 2014**

Related U.S. Application Data

- (63) Continuation-in-part of application No. 13/666,698, filed on Nov. 1, 2012, now Pat. No. 8,931,488.
- (51) **LOC (10) Cl.** **29-02**
- (52) **U.S. Cl.**
USPC **D24/110.5**; D29/108
- (58) **Field of Classification Search**
USPC D24/110, 110.1, 110.4, 110.5, 127, 164, D24/180, 181; D29/108
CPC A63B 71/085; A63B 2071/088; A63B 2071/086; A61M 16/0493; A61M 16/0497; A61M 16/0488; A61M 16/049; A61M 16/0495; A61C 7/36; A61B 1/24; A61B 2019/204
See application file for complete search history.

References Cited

U.S. PATENT DOCUMENTS

D215,685 S * 10/1969 Helmer D24/176
 3,682,164 A * 8/1972 Miller A63B 71/085
 128/857

3,692,025 A * 9/1972 Greenberg A63B 71/085
 128/857
 D228,048 S * 8/1973 Miller D24/105
 3,768,465 A * 10/1973 Helmer A63B 71/085
 128/862
 5,353,810 A * 10/1994 Kittelsen A61C 5/14
 128/859
 D538,926 S * 3/2007 Jeong D24/110
 D615,187 S * 5/2010 Bowden D24/110
 D615,709 S * 5/2010 Manzo D29/108
 D616,152 S * 5/2010 Manzo D29/108
 D627,107 S * 11/2010 Manzo D29/108
 D629,909 S * 12/2010 Chiu D24/181
 D630,382 S * 1/2011 Manzo D29/108
 D634,480 S * 3/2011 Manzo D29/108
 D734,556 S * 7/2015 Brett D24/181
 2011/0132380 A1 * 6/2011 Goldsby A61B 1/24
 128/861
 2012/0000472 A1 * 1/2012 Martucci A61M 16/0488
 128/861
 2012/0090625 A1 * 4/2012 Evans A63B 71/085
 128/861

(Continued)

Primary Examiner — Barbara Fox
Assistant Examiner — Lilyana Bekic
 (74) *Attorney, Agent, or Firm* — Perkins Coie LLP

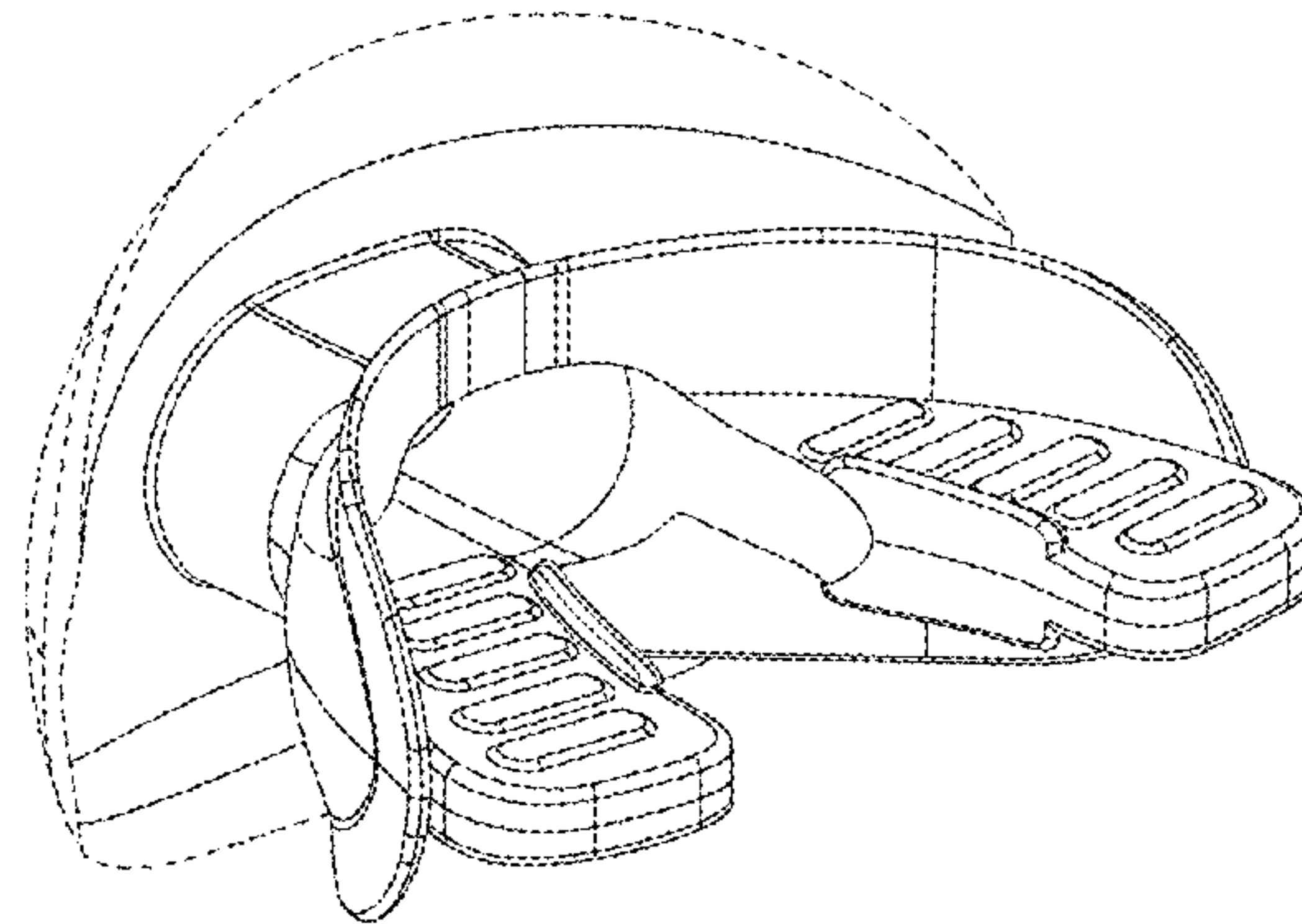
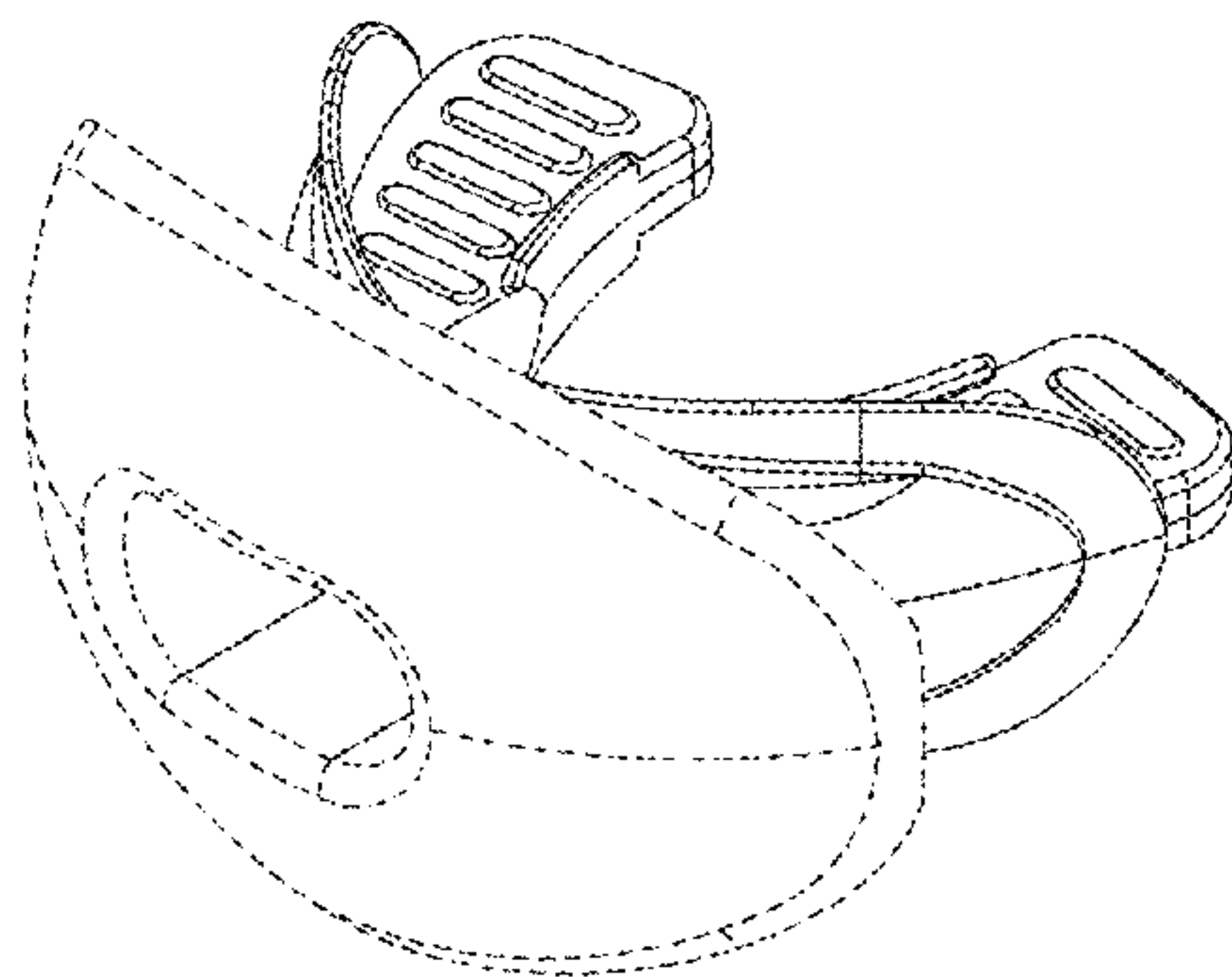
(57) **CLAIM**

The ornamental design for a mouth guard, as shown and described.

DESCRIPTION

FIG. 1 is a front perspective view of the mouth guard;
 FIG. 2 is a rear perspective view of the mouth guard;
 FIG. 3 is a front elevation view of the mouth guard;
 FIG. 4 is a top plan view of the mouth guard;
 FIG. 5 is a rear elevation view of the mouth guard;
 FIG. 6 is a side elevation view of the mouth guard; and,
 FIG. 7 is a bottom plan view of the mouth guard.
 The broken lines in the drawings illustrate portions of the mouth guard that form no part of the claimed design.

1 Claim, 7 Drawing Sheets



US D760,889 S

Page 2

(56)

References Cited

U.S. PATENT DOCUMENTS

2013/0104913 A1*	5/2013	Evans	A63B 71/085 128/861
2014/0238410 A1*	8/2014	Goldsby	A61M 16/0493 128/847
2014/0345626 A1*	11/2014	Brett	A63B 71/085 128/861
2015/0209645 A1*	7/2015	Zents	A63B 71/085 128/861

* cited by examiner

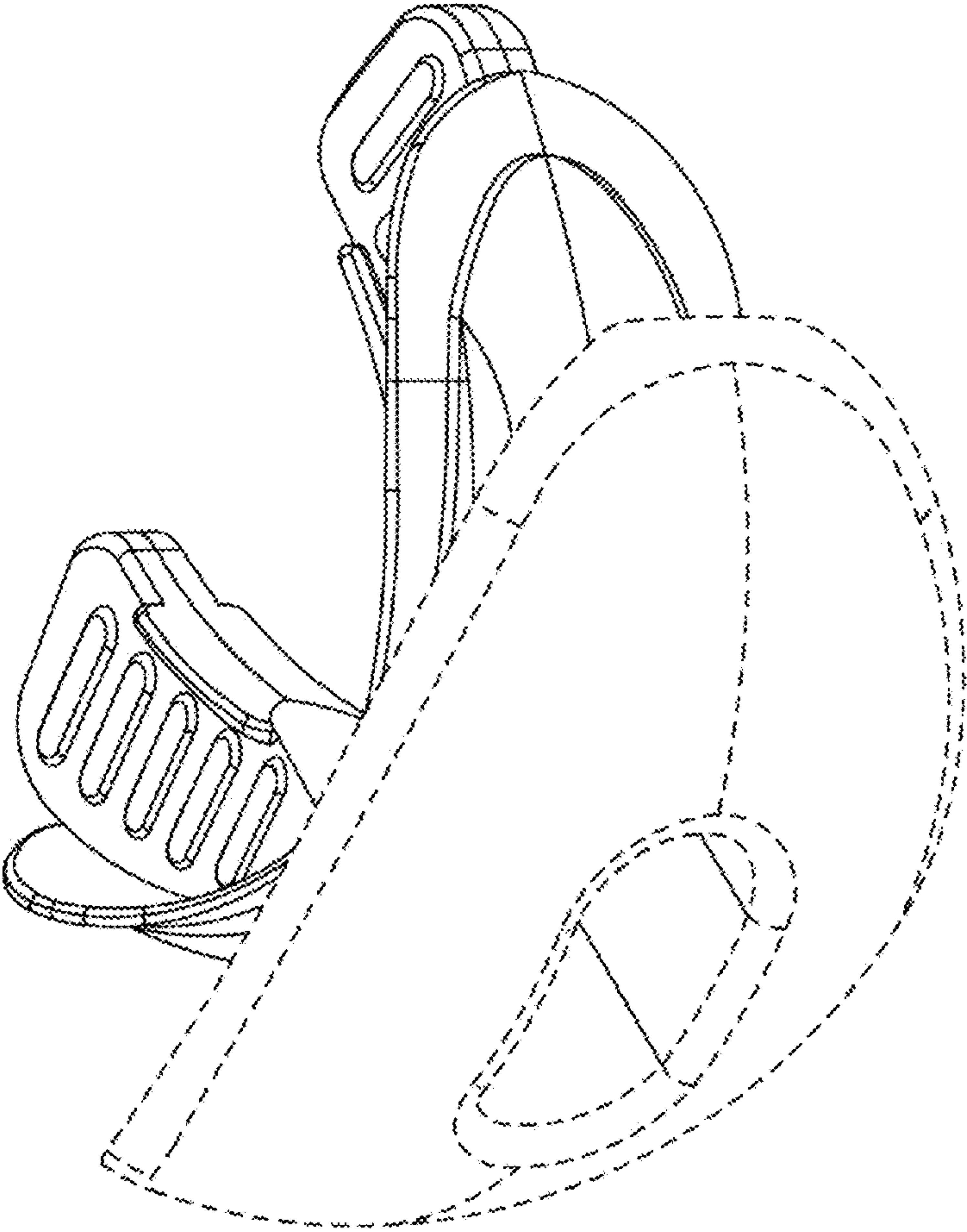


FIG. 1

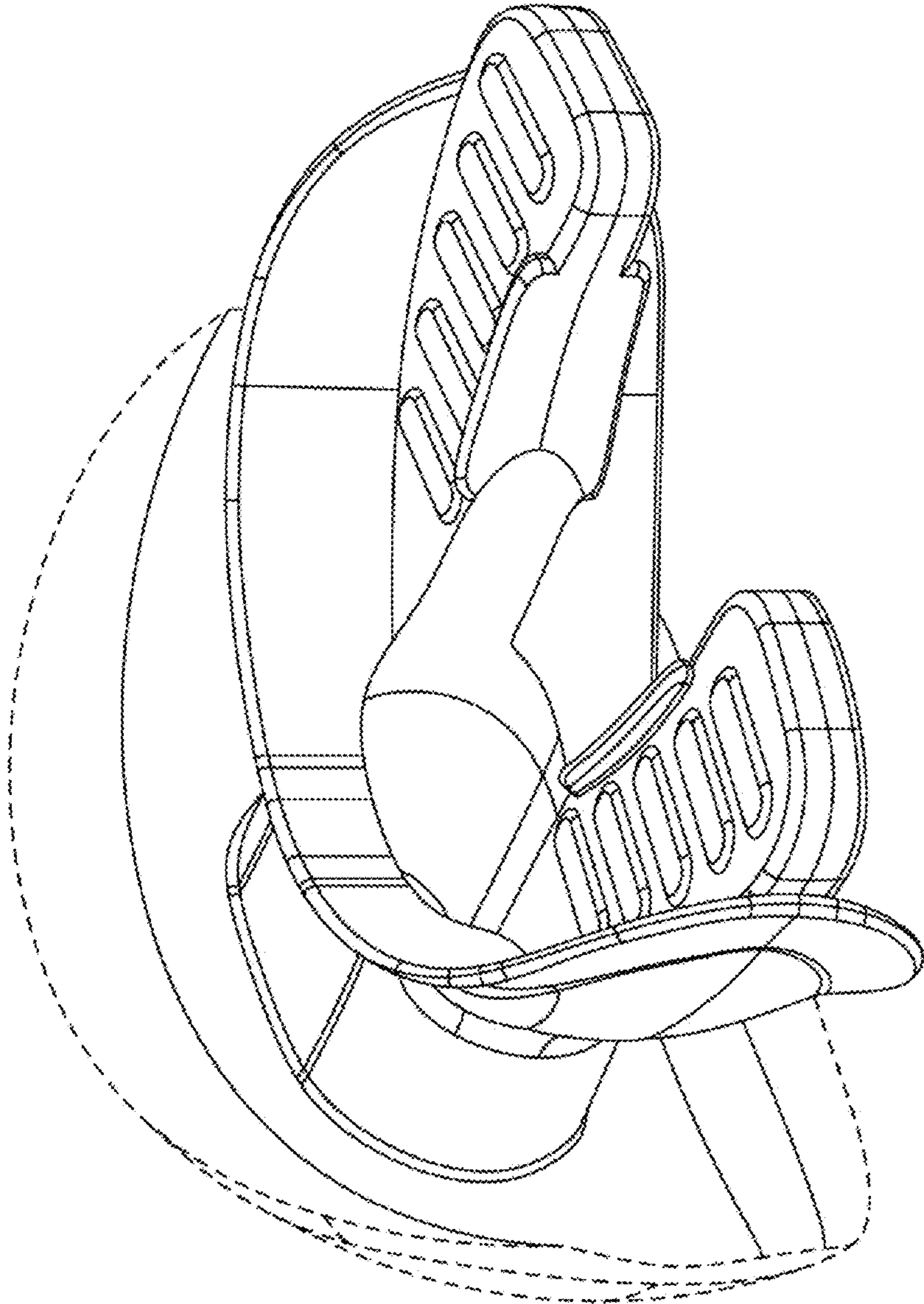


FIG. 2

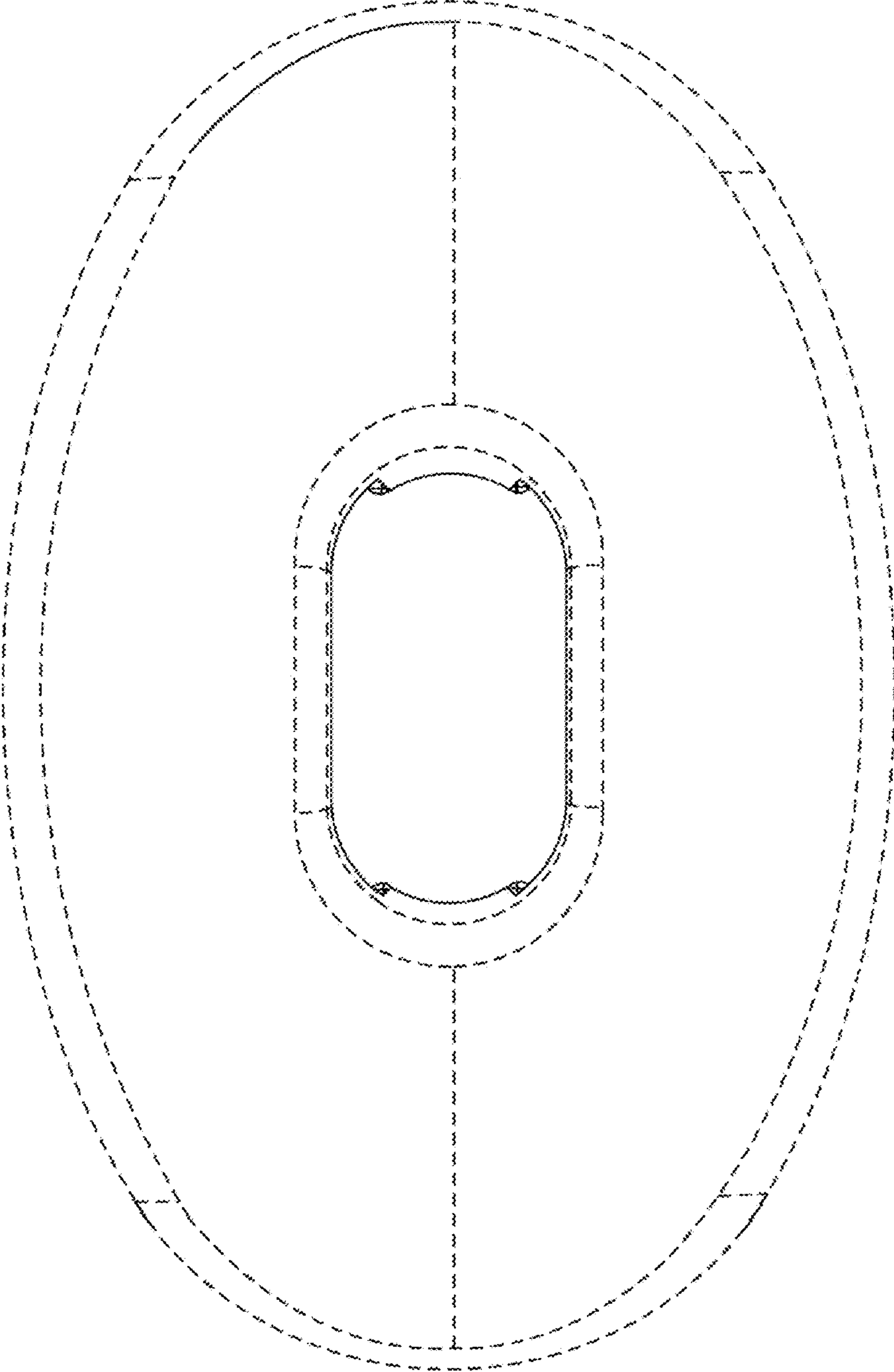


FIG. 3

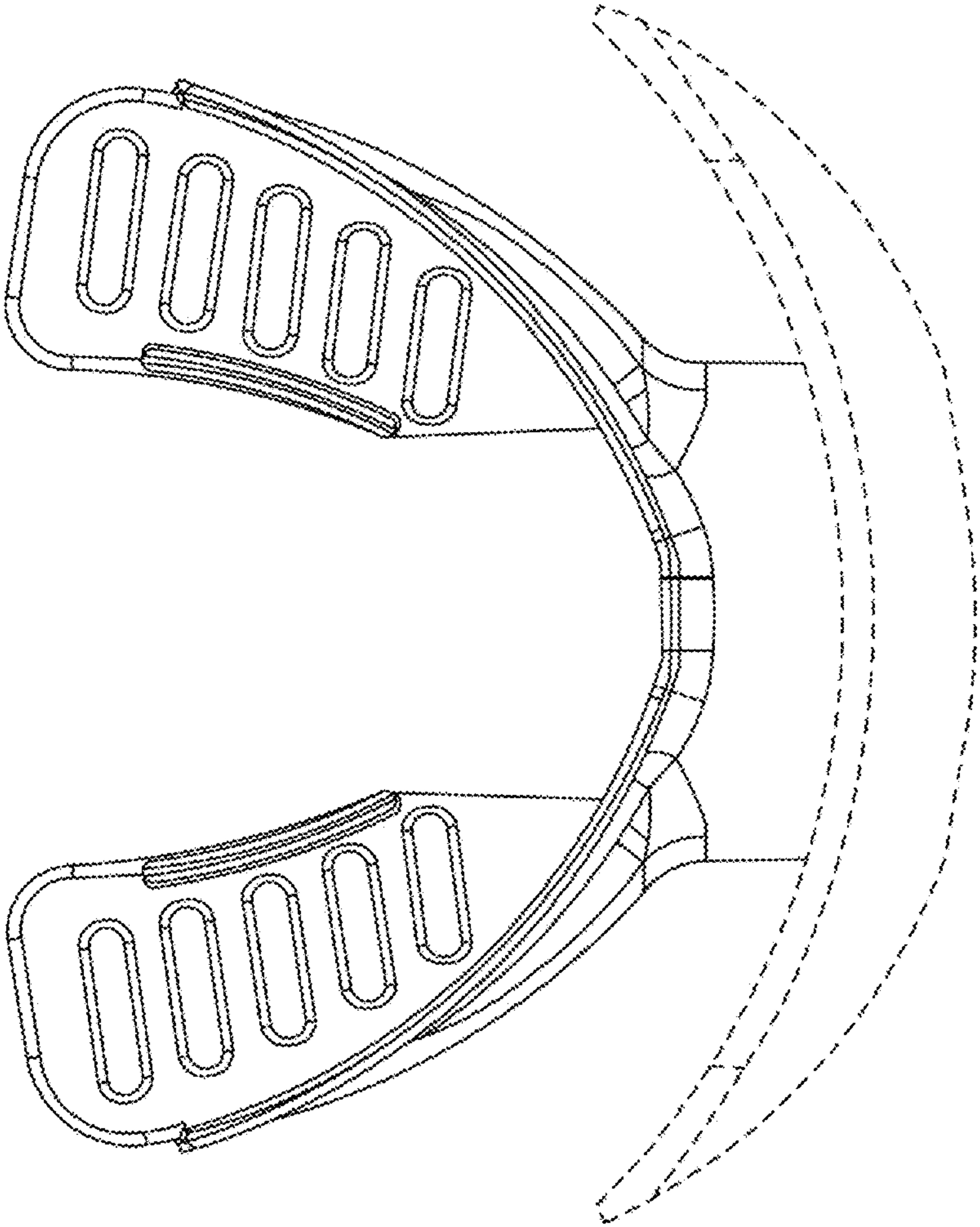


FIG. 4

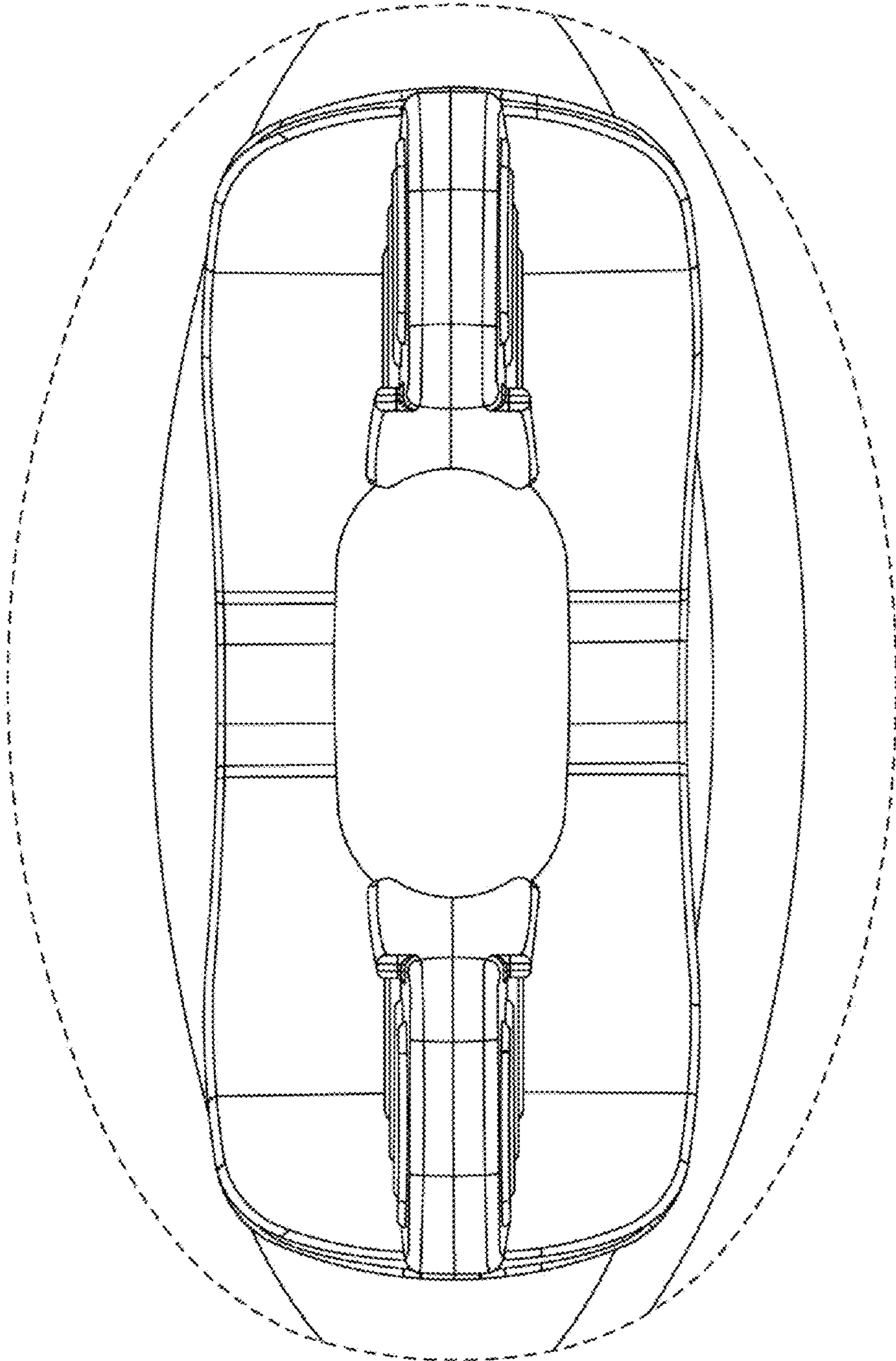


FIG. 5

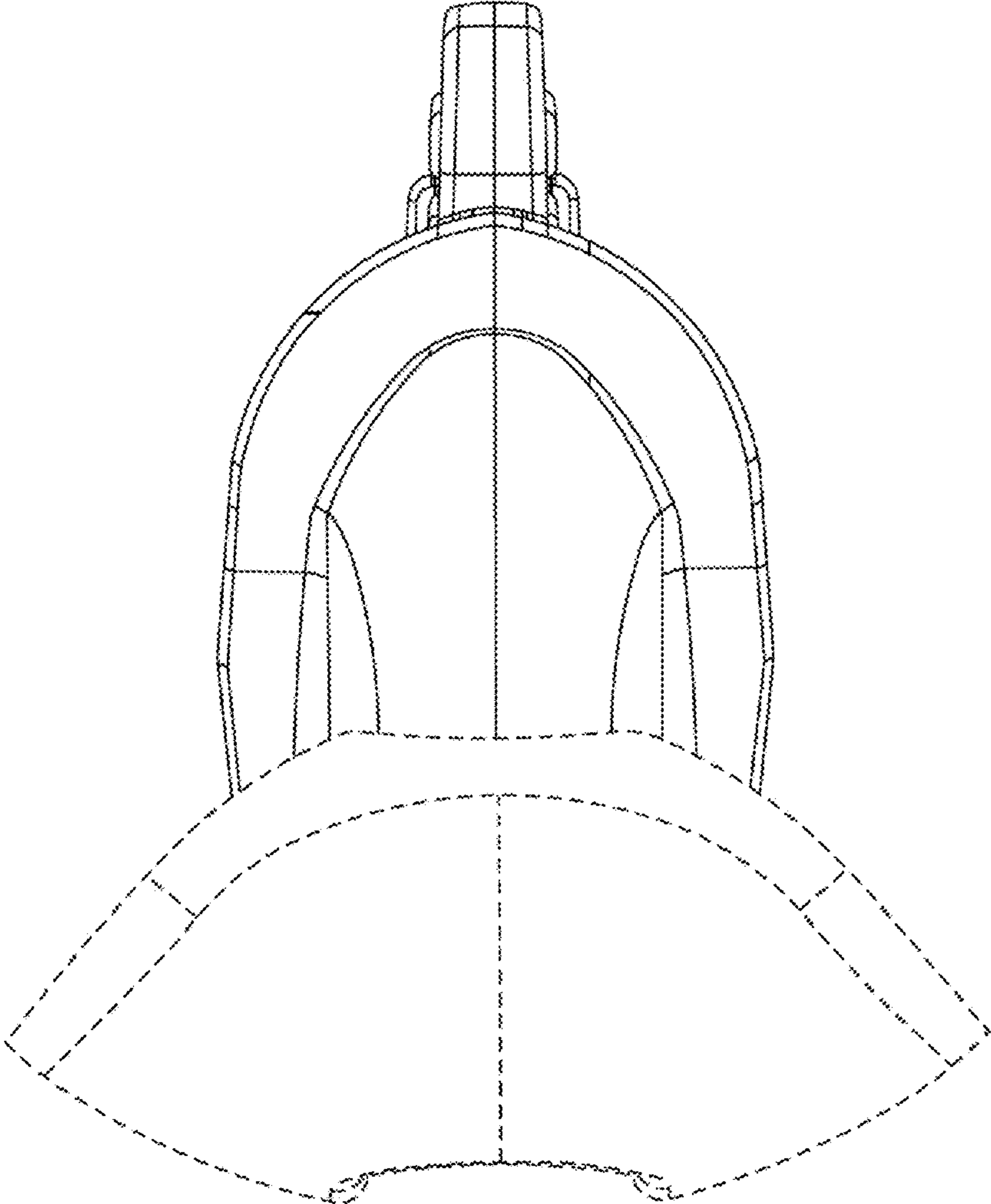


FIG. 6

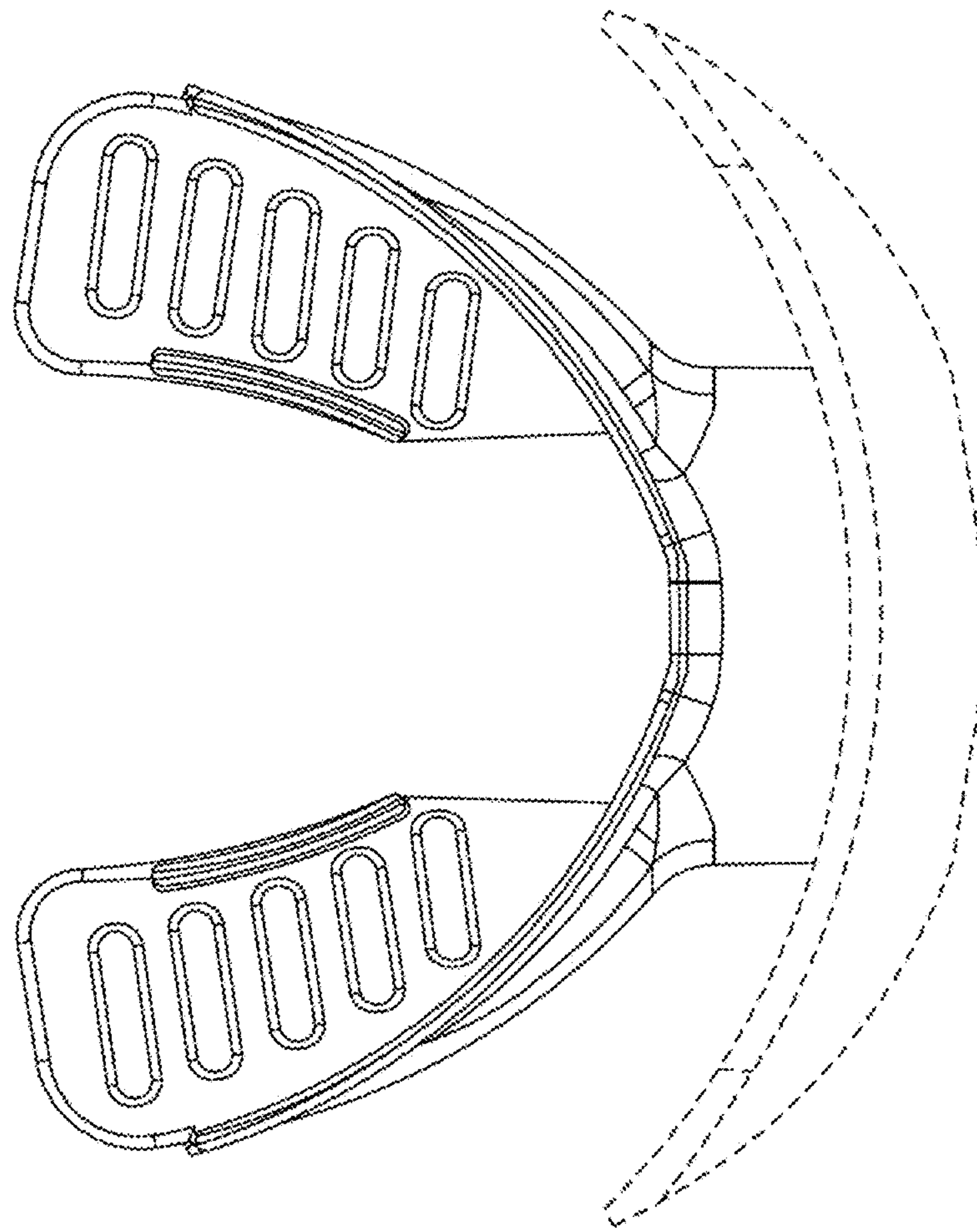


FIG. 7