



US00D467389S

(12) **United States Design Patent**
Torkiya

(10) **Patent No.:** **US D467,389 S**

(45) **Date of Patent:** **** Dec. 17, 2002**

(54) **NAIL BUFFER**

(76) Inventor: **Adi Torkiya**, 114 Oak Bend Dr.,
Coppell, TX (US) 75019

(**) Term: **14 Years**

(21) Appl. No.: **29/155,619**

(22) Filed: **Feb. 13, 2002**

Related U.S. Application Data

(62) Division of application No. 29/149,507, filed on Oct. 11,
2001, now Pat. No. Des. 459,548.

(51) **LOC (7) Cl.** **28-03**

(52) **U.S. Cl.** **D28/59**

(58) **Field of Search** D28/56, 57, 59;
D4/119, 121, 137; D8/90-94; D32/40, 52;
132/73, 73.5, 75, 75.6, 76.4, 76.5; 451/490,
522-525, 540, 552-558; 15/167.3

(56) **References Cited**

U.S. PATENT DOCUMENTS

651,479 A	6/1900	Essich et al.	
965,444 A	7/1910	Dahl	
1,072,046 A	9/1913	Seymoure	
2,505,295 A *	4/1950	Meyers	401/205
2,557,175 A	6/1951	Cortes	
2,838,057 A	6/1958	Smith	
2,911,769 A *	11/1959	Trussell	451/503
D201,944 S	8/1965	Leopoldi	
4,246,914 A	1/1981	Keyser	
D260,356 S	8/1981	Hall	
4,366,828 A *	1/1983	Hokama	132/75.6
4,757,571 A	7/1988	Young	
4,785,586 A	11/1988	Kratfel	
D328,847 S *	8/1992	Button et al.	D8/93

5,177,909 A	1/1993	Klocke
D360,121 S	7/1995	Anderson
D369,438 S	4/1996	Resler
D406,394 S	3/1999	Mulaisho
5,899,210 A	5/1999	Letherby et al.
D416,648 S	11/1999	Letherby et al.
6,006,413 A	12/1999	Farley

* cited by examiner

Primary Examiner—Ted Shooman

Assistant Examiner—C. Tuttle

(74) *Attorney, Agent, or Firm*—Gardere Wynne Sewell LLP

(57) **CLAIM**

The ornamental design for a nail buffer, as shown and described.

DESCRIPTION

FIG. 1 is a perspective view of a nail buffer in accordance with my invention;

FIG. 2 is a left side elevation view of the nail buffer shown in FIG. 1;

FIG. 3 is a right side elevation view of the nail buffer shown in FIG. 1;

FIG. 4 is a front elevation view of the nail buffer shown in FIG. 1;

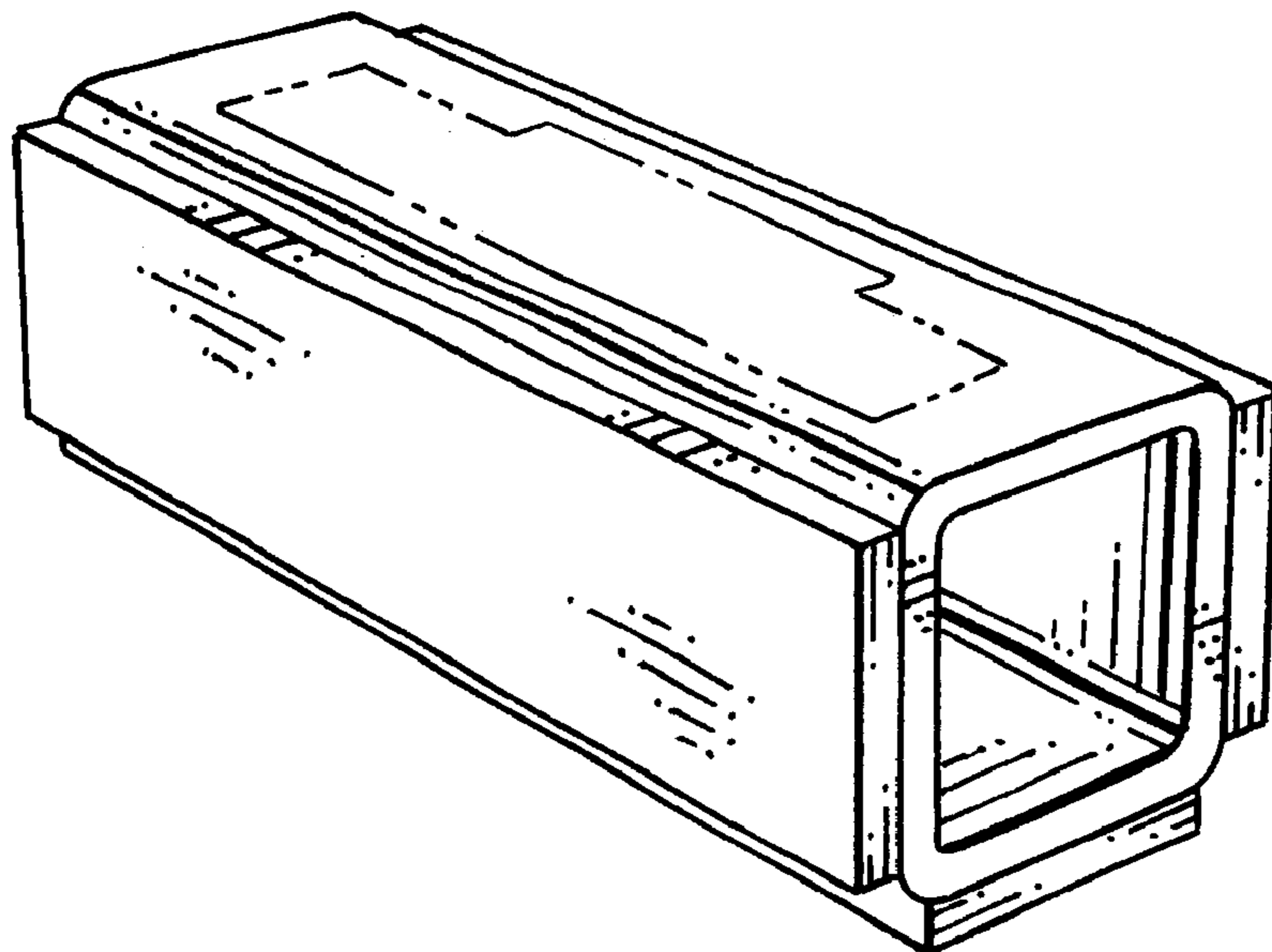
FIG. 5 is a rear end elevation view of the nail buffer shown in FIG. 1;

FIG. 6 is a top plan view of the nail buffer shown in FIG. 1; and,

FIG. 7 is a bottom plan view of the nail buffer shown in FIG. 1.

The dashed outlines in the views of FIGS. 1 and 6 showing the location of indicia are for illustrative purposes only and form no part of the claimed design.

1 Claim, 3 Drawing Sheets



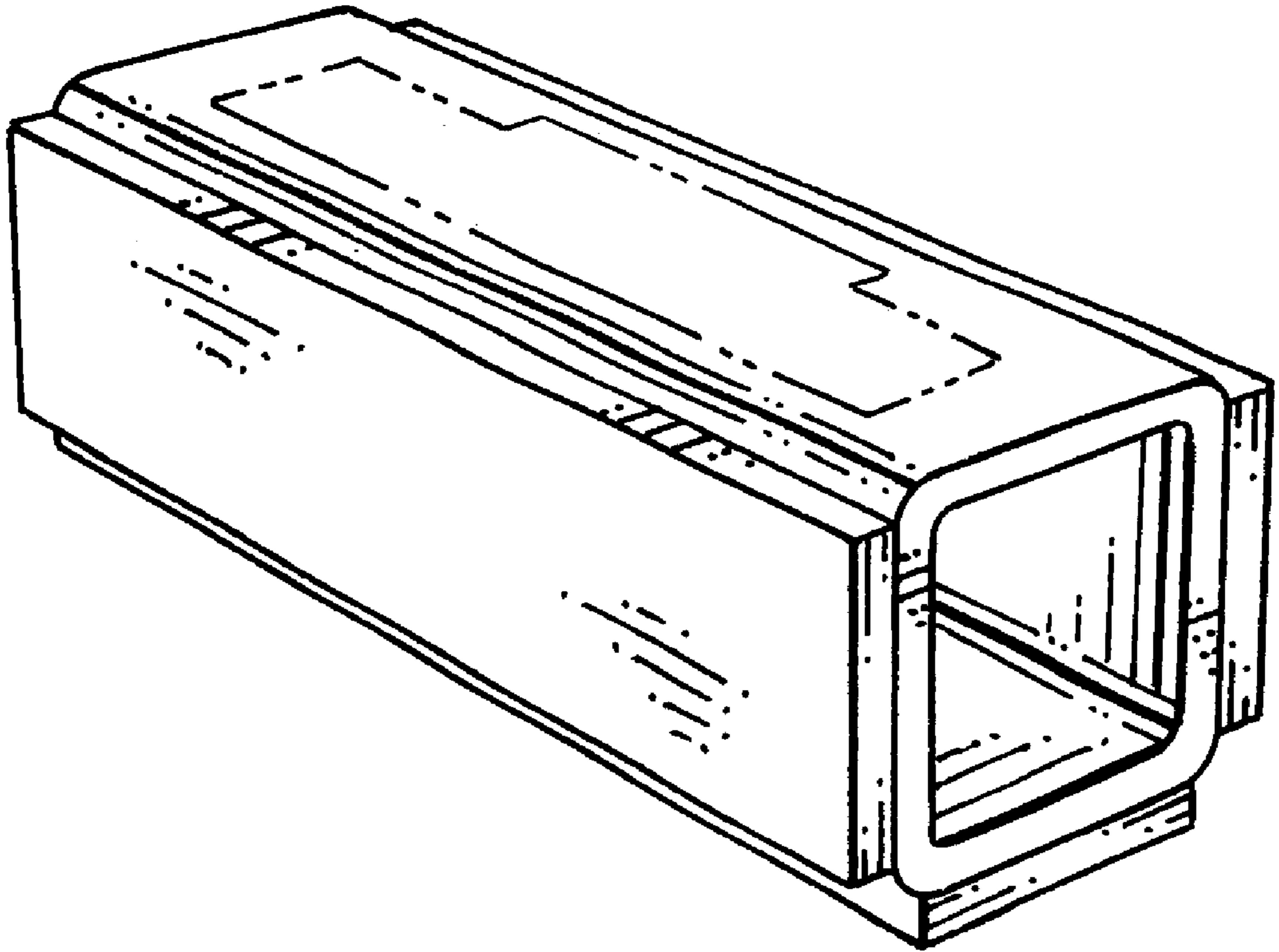


FIG. 1

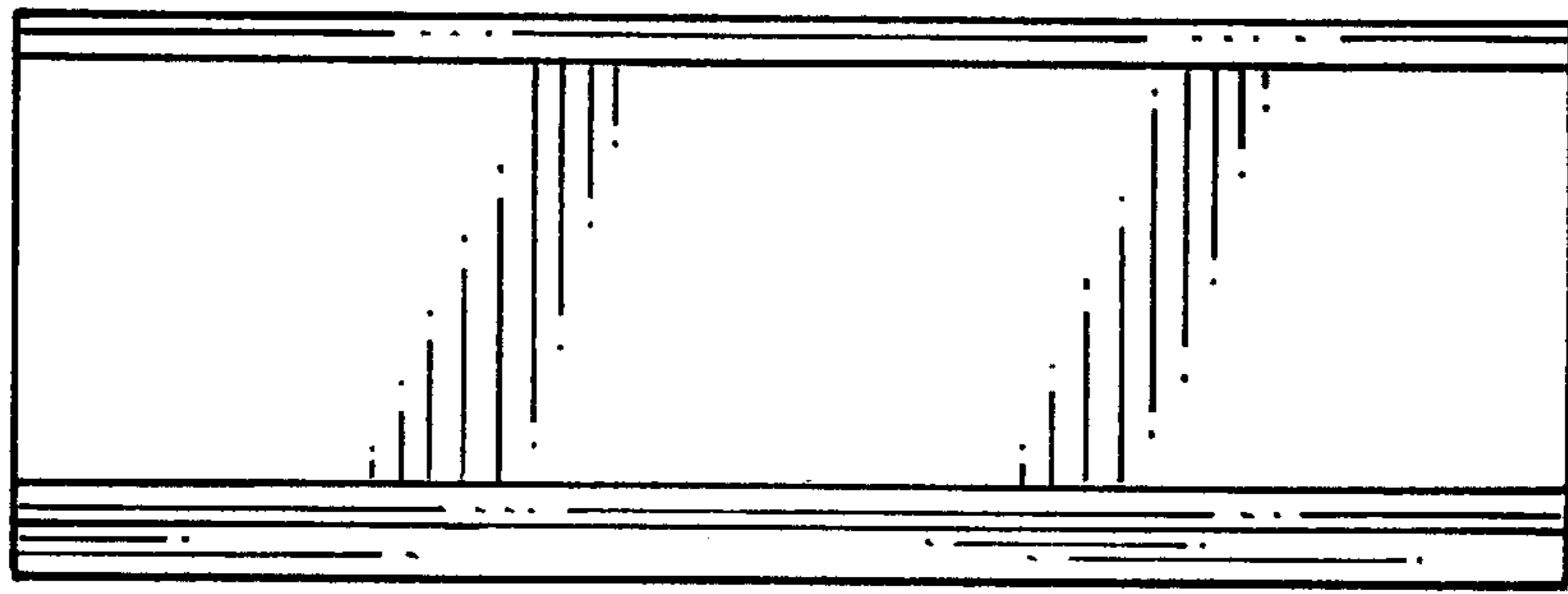


FIG. 2

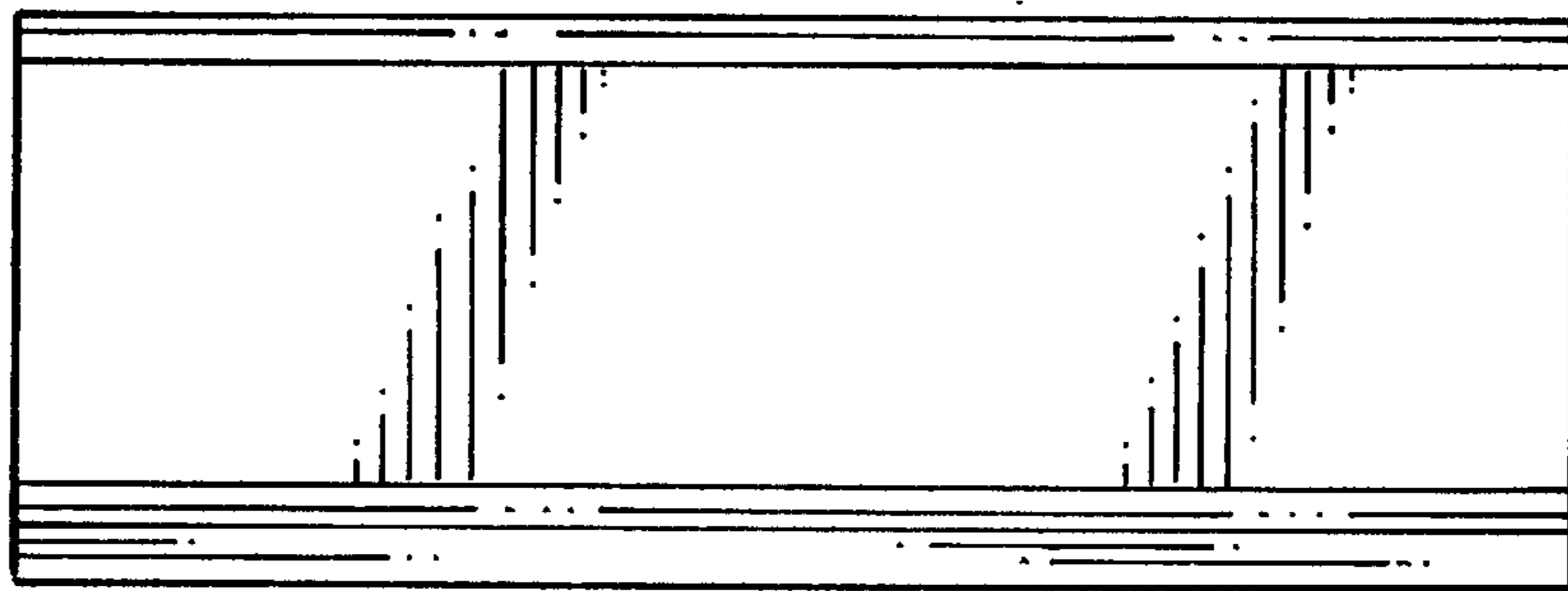


FIG. 3

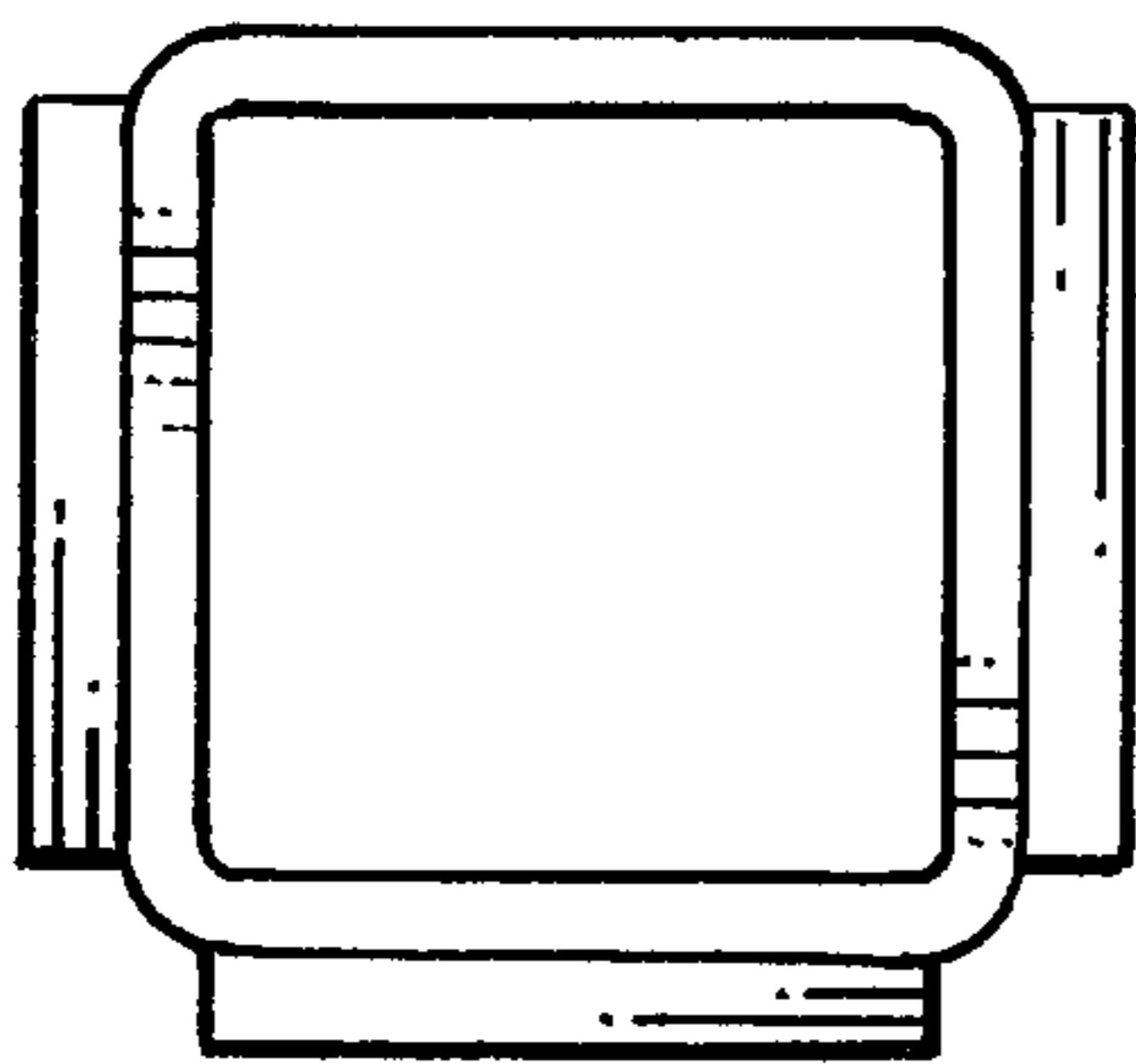


FIG. 4

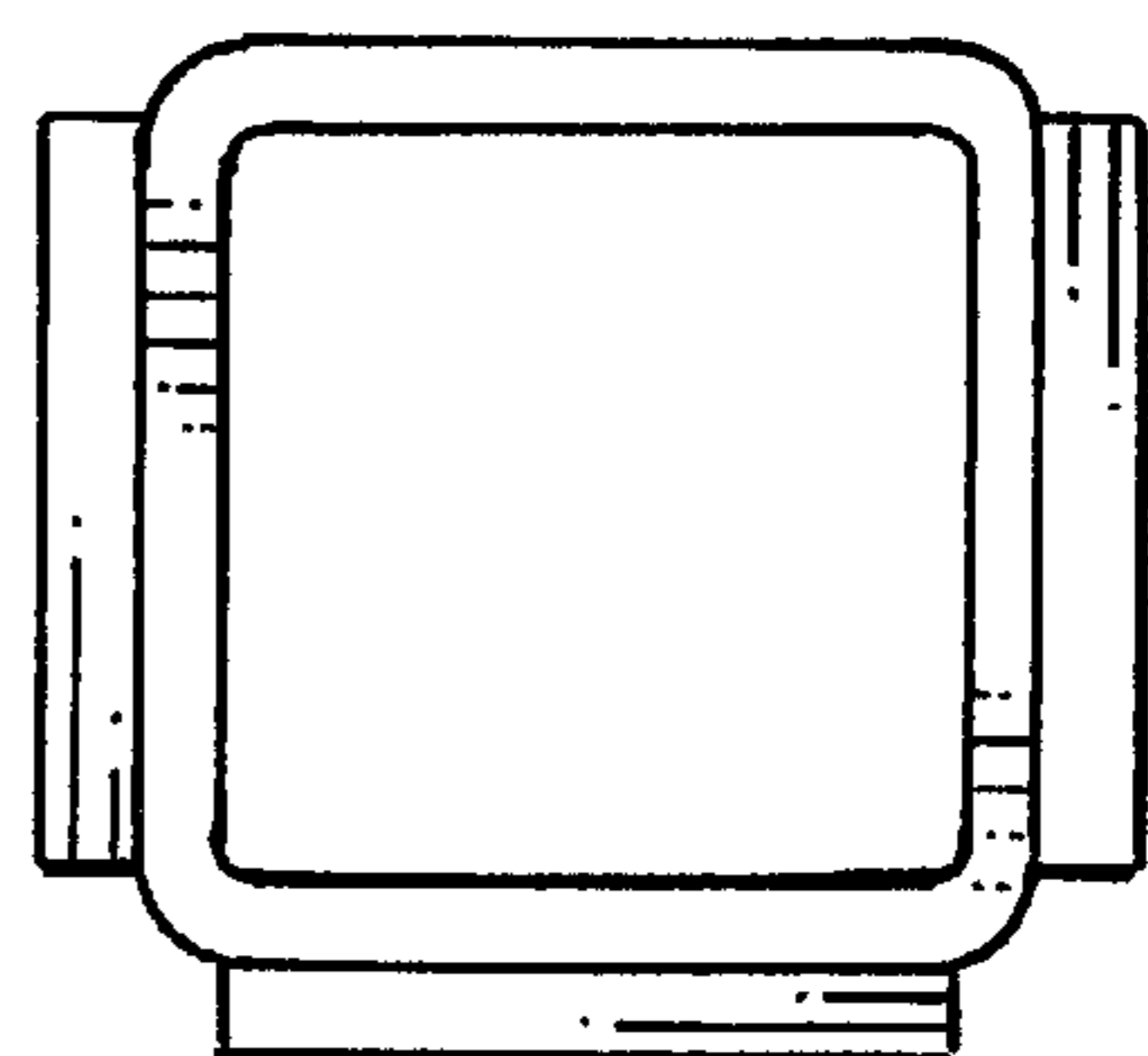


FIG. 5

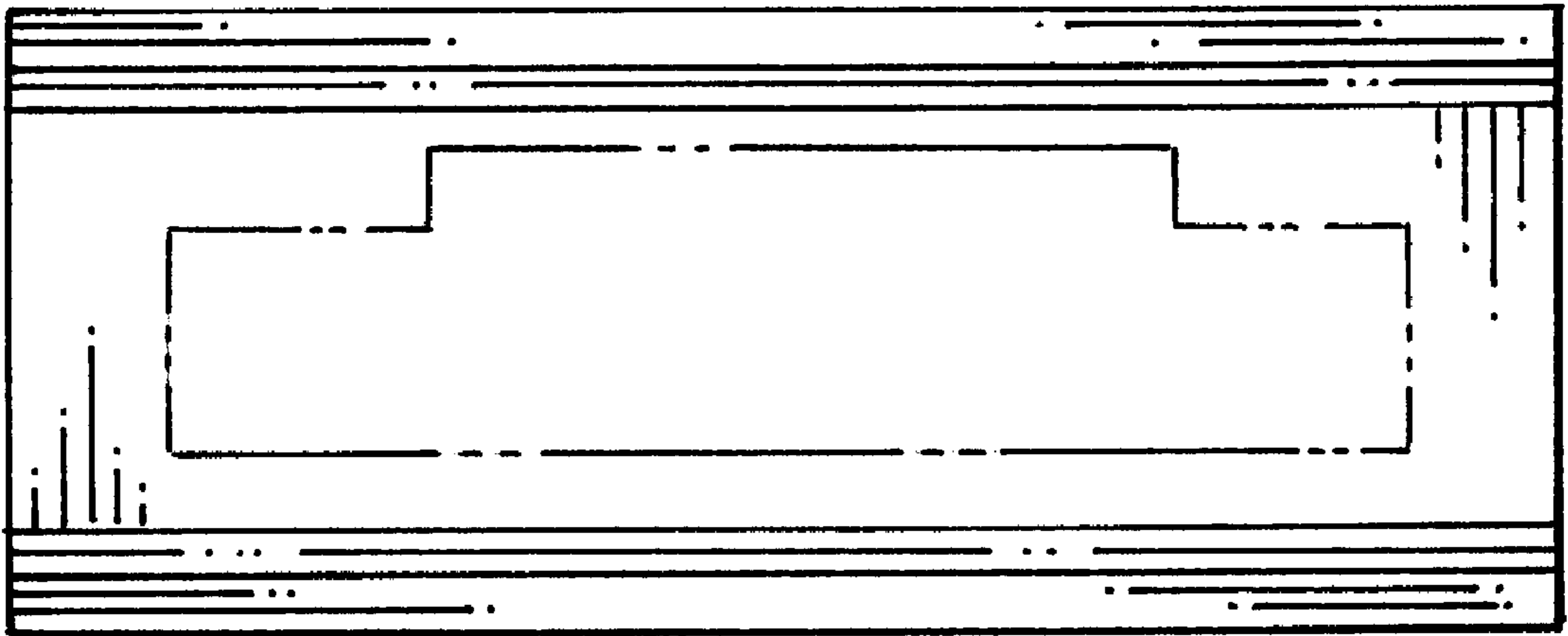


FIG. 6

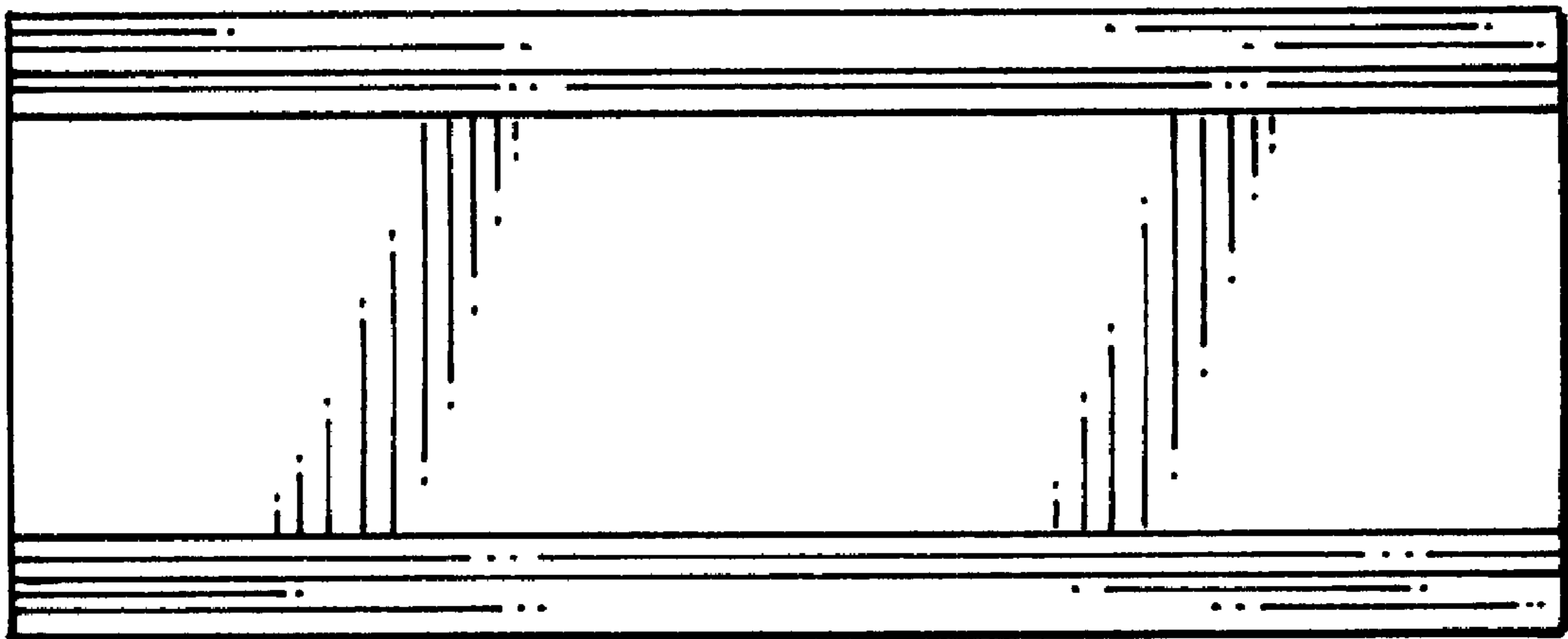


FIG. 7