



US00D503369S

(12) **United States Design Patent**
Kato

(10) **Patent No.:** **US D503,369 S**
(45) **Date of Patent:** **** Mar. 29, 2005**

(54) **DECORATIVE VEHICULAR WHEEL LIP**

(76) **Inventor:** **Joey K. Kato**, 27560 Glenwood Dr.,
Mission Viejo, CA (US) 92692

(**) **Term:** **14 Years**

(21) **Appl. No.:** **29/176,867**

(22) **Filed:** **Feb. 28, 2003**

(51) **LOC (7) Cl.** **12-16**

(52) **U.S. Cl.** **D12/208**

(58) **Field of Search** **D12/204-213;**
301/65, 37.1, 95, 96, 97; D25/119

(56) **References Cited**

U.S. PATENT DOCUMENTS

2,126,222 A	*	8/1938	Schwinn	301/95.106
D281,967 S	*	12/1985	Hashimoto	D12/208
D389,446 S	*	1/1998	Bradley	D12/208
D398,894 S	*	9/1998	Kelley	D12/208
D405,194 S	*	2/1999	Kenkel	D25/119
D438,499 S	*	3/2001	Schardt	D12/208
D490,167 S	*	5/2004	Eichner et al.	D25/119

* cited by examiner

Primary Examiner—Charles Rademaker

Assistant Examiner—Maurice Stevens

(74) *Attorney, Agent, or Firm*—Stetina Brunda Garred &
Brucker

(57) **CLAIM**

The ornamental design for a decorative vehicular wheel lip,
as shown and described.

DESCRIPTION

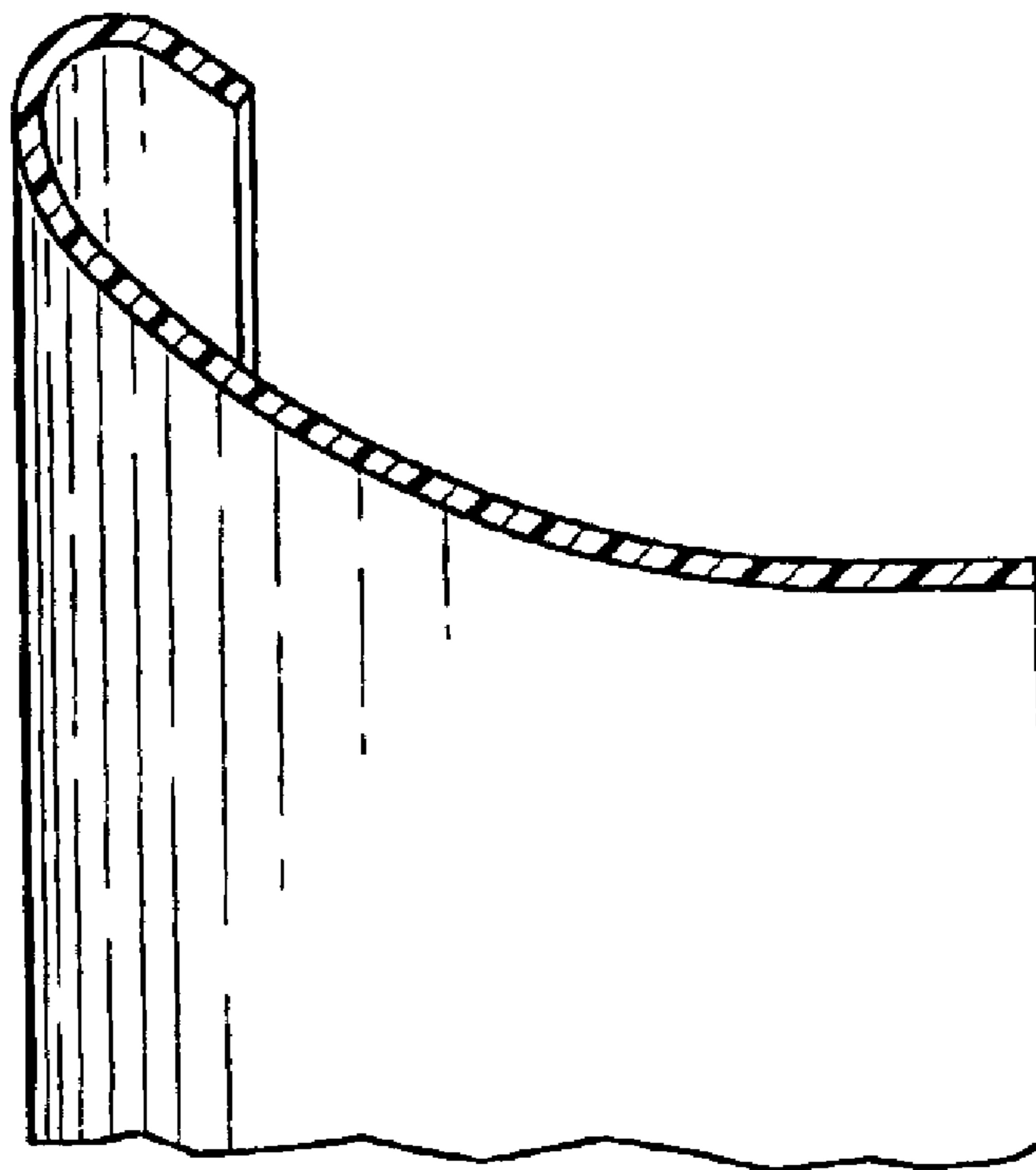
FIG. 1 is a front elevational view of the decorative vehicular wheel lip of the present invention showing my new design with the phantom lines depicting solely environmental structure and forming no part of the claimed design;

FIG. 2 is a side elevational view thereof with the phantom lines depicting solely environmental structure and forming no part of the claimed design;

FIG. 3 is a front elevational view thereof; and,

FIG. 4 is a cross-sectional view taken about lines 4—4 of FIG. 1.

1 Claim, 2 Drawing Sheets



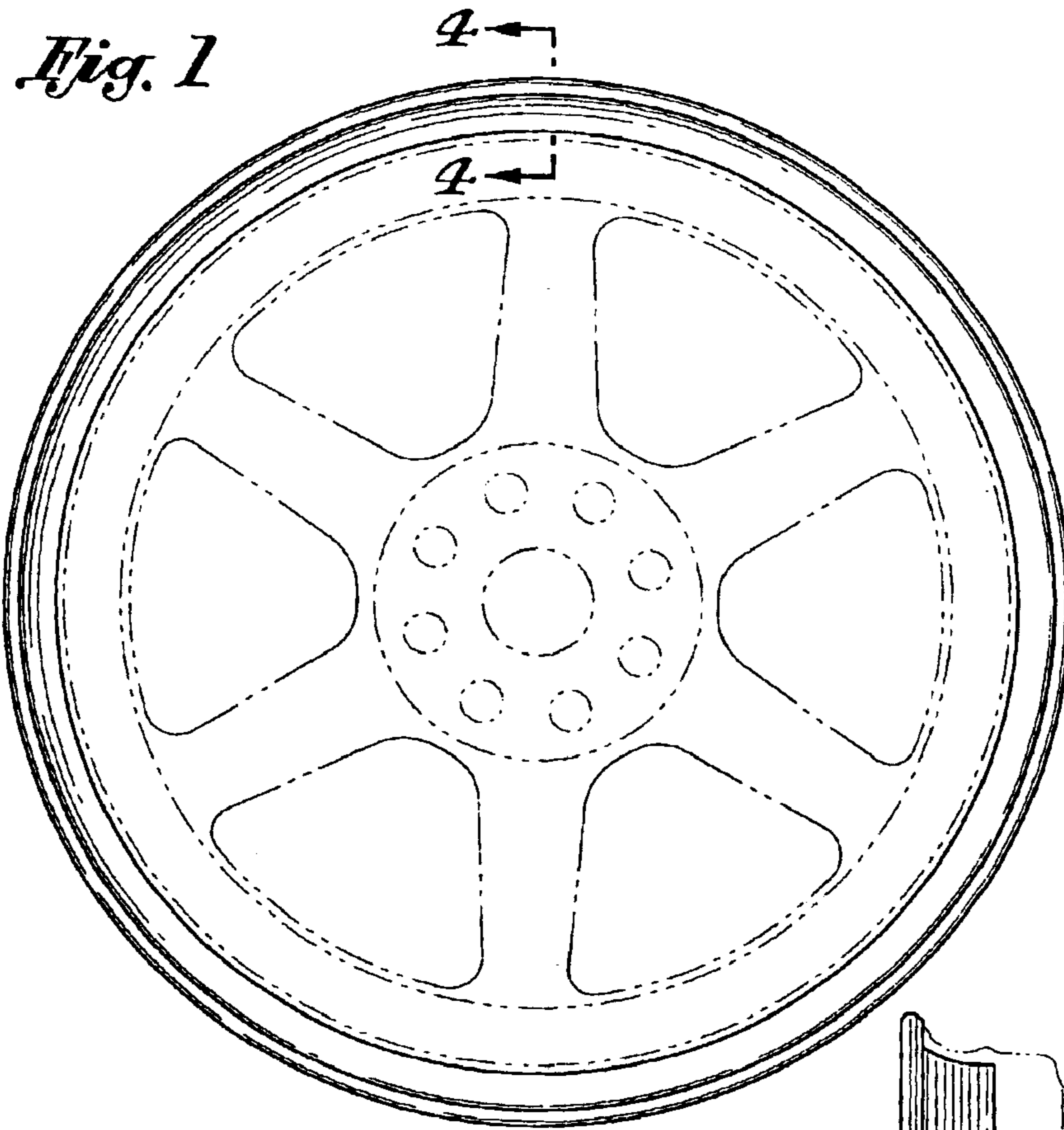
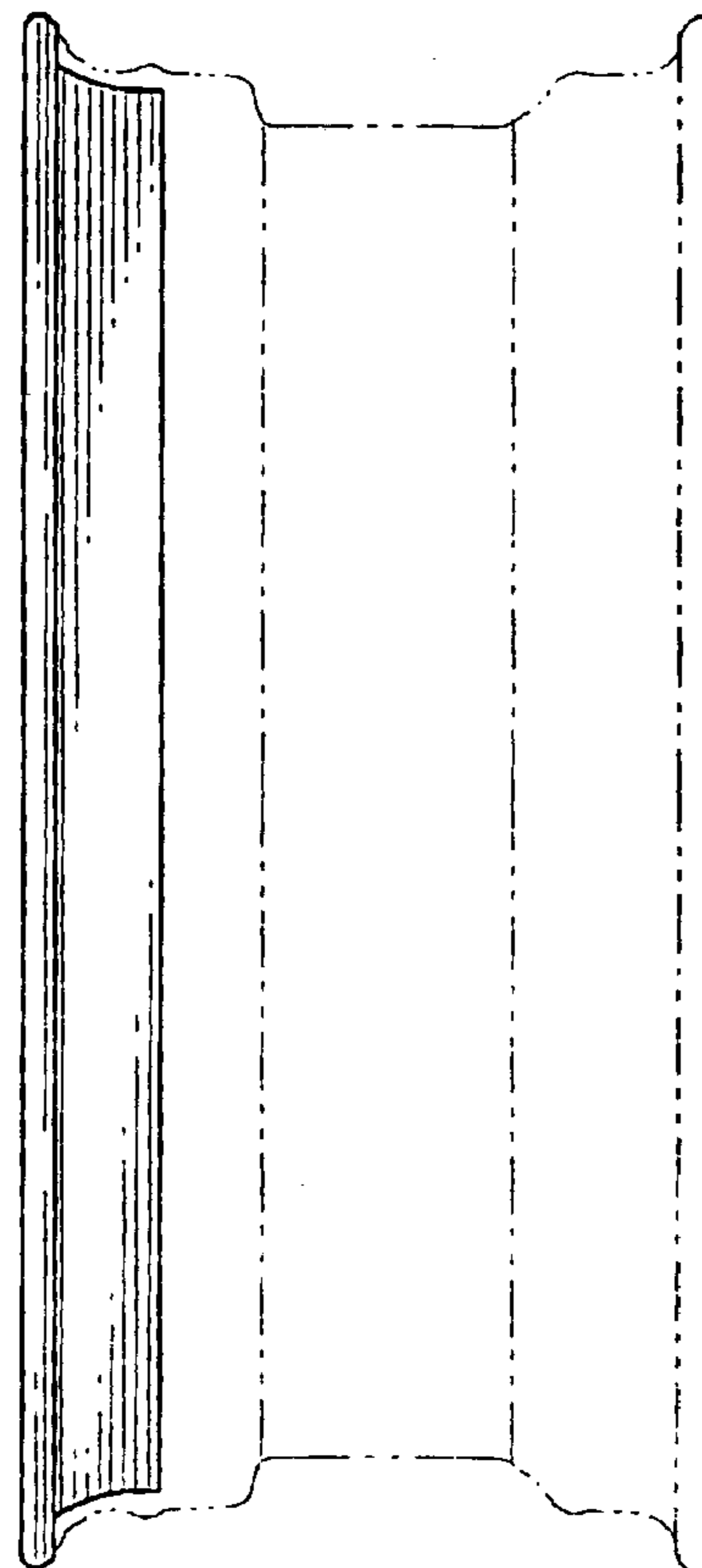


Fig. 2



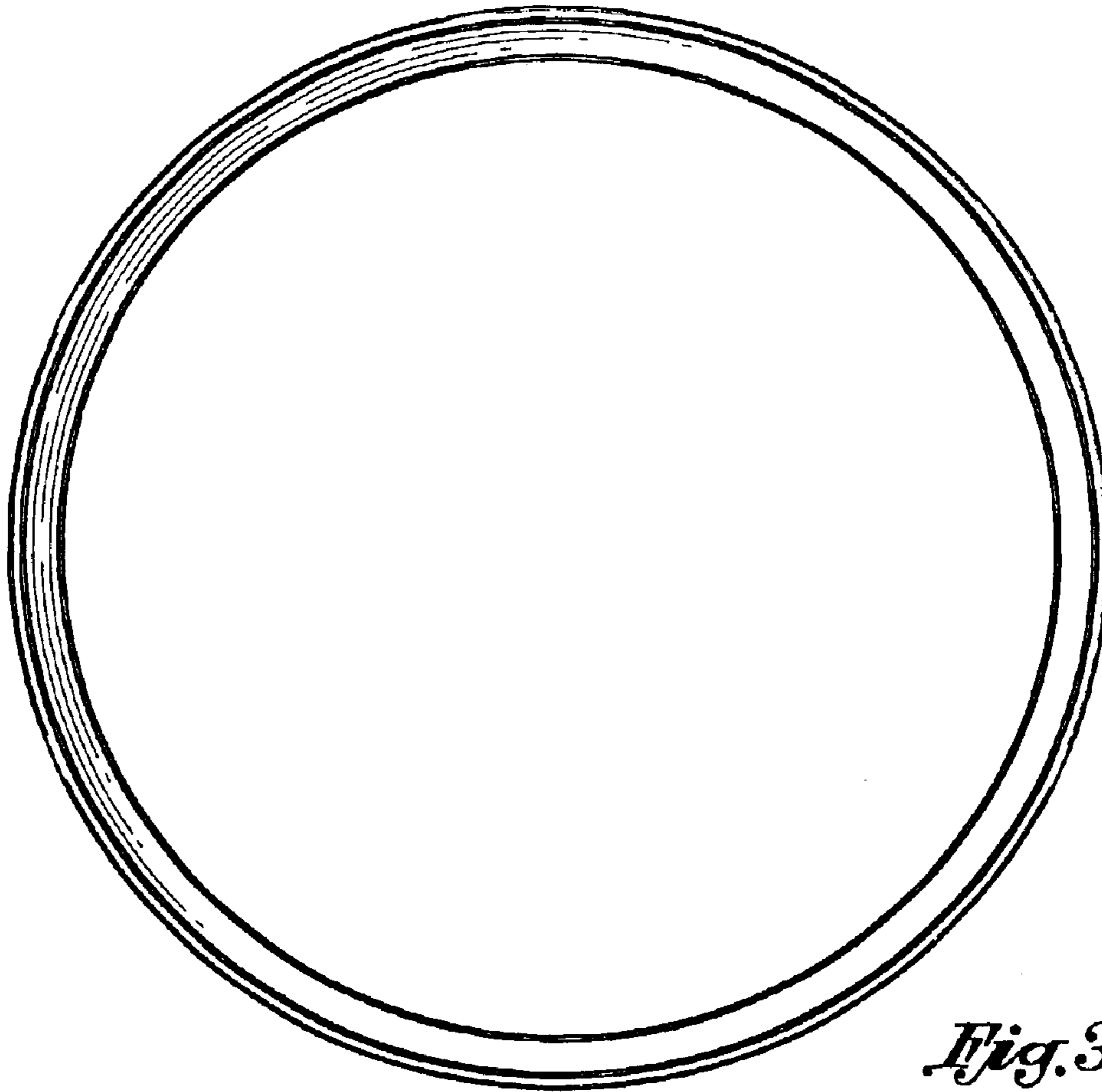


Fig. 3

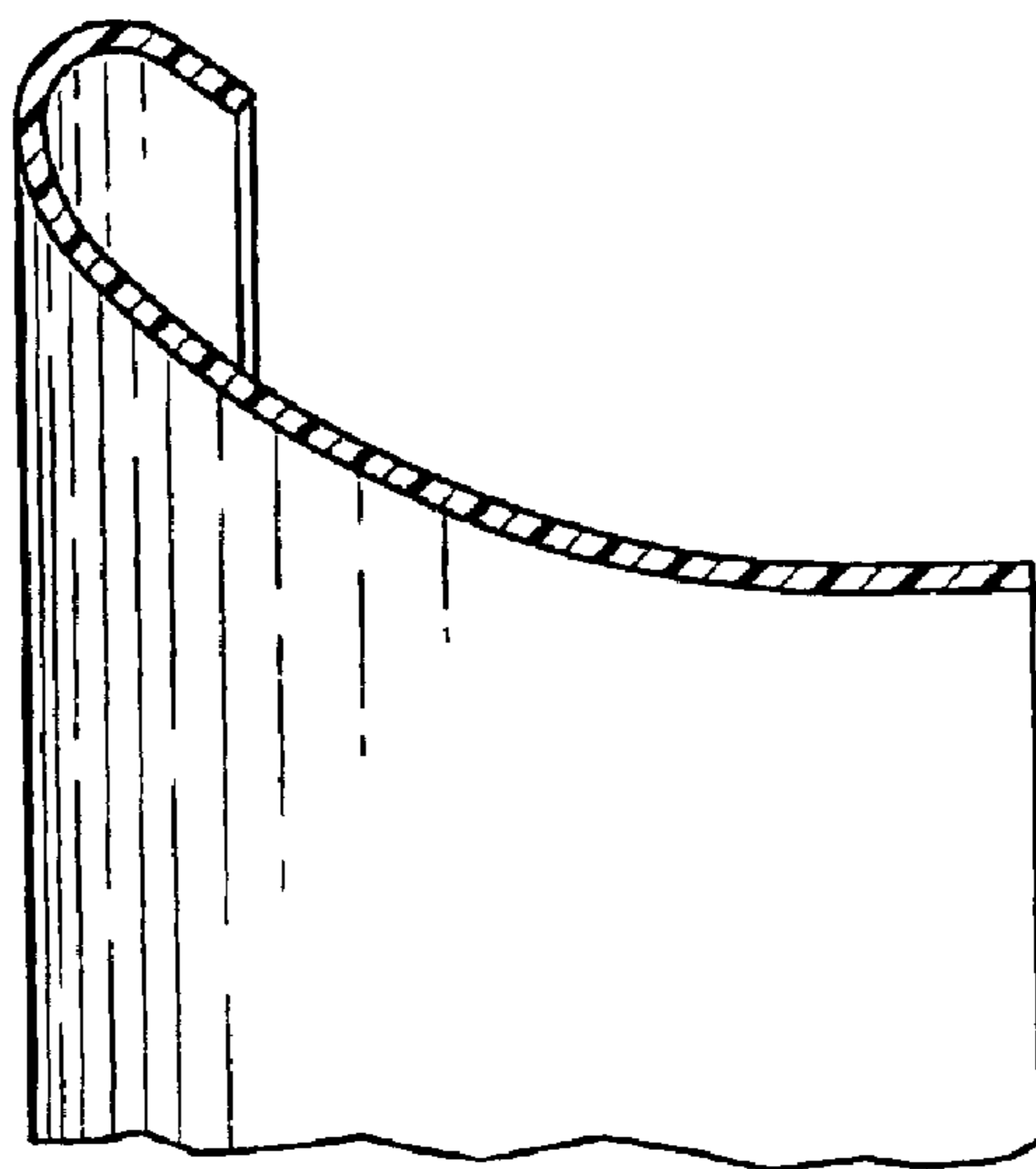


Fig. 4