



US00D863940S

(12) **United States Design Patent** (10) **Patent No.:** **US D863,940 S**
Ge (45) **Date of Patent:** **** Oct. 22, 2019**

(54) **HOSE REEL**

(71) Applicant: **INTRADIN (HUZHOU) PRECISION TECHNOLOGY CO., LTD.**, Huzhou, Zhejiang (CN)

(72) Inventor: **Guizhong Ge**, Zhejiang (CN)

(73) Assignee: **INTRADIN (HUZHOU) PRECISION TECHNOLOGY CO., LTD.**, Huzhou (CN)

D505,612 S * 5/2005 Evans D8/358
D511,294 S * 11/2005 Kovacik D8/358
D518,361 S * 4/2006 Jassenoff D34/26
D551,947 S * 10/2007 Metzger D8/358
D551,948 S * 10/2007 Metzger D8/358
D637,067 S * 5/2011 Bauck D8/358
D794,429 S * 8/2017 Wang D8/359
D813,017 S * 3/2018 Wang D8/359
2004/0238675 A1 * 12/2004 Banaszekiewicz .. B65H 75/4402
242/377
2017/0066622 A1 * 3/2017 Ge B65H 75/4486

(**) Term: **15 Years**

(21) Appl. No.: **29/665,917**

(22) Filed: **Oct. 8, 2018**

(51) **LOC (12) Cl.** **08-05**

(52) **U.S. Cl.**
USPC **D8/358**

(58) **Field of Classification Search**
USPC D8/358, 359, 356; D34/14, 24, 26;
D22/140; D10/72; D13/155
CPC B65H 2701/33; B65H 75/4471; Y10T
137/6954; Y10T 137/6899
See application file for complete search history.

(56) **References Cited**
U.S. PATENT DOCUMENTS
D341,076 S * 11/1993 Kolton D13/154
D352,232 S * 11/1994 Apgar D8/358
D492,578 S * 7/2004 Evans D8/358

* cited by examiner

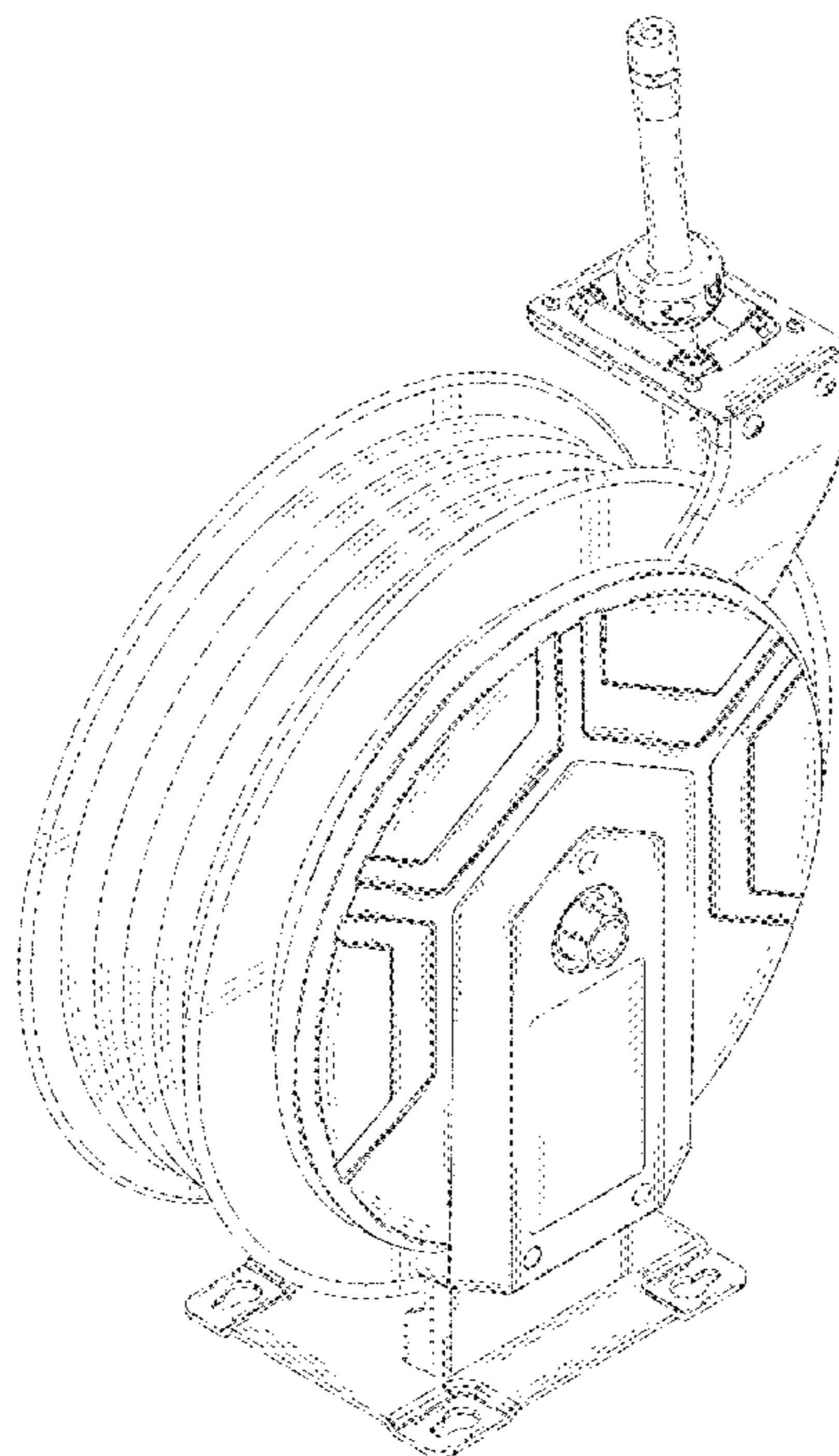
Primary Examiner — Eliza Z Bennett-Hattan
(74) *Attorney, Agent, or Firm* — Wayne & Ken, LLC;
Tony Hom

(57) **CLAIM**
The ornamental design for a hose reel, as shown and described.

DESCRIPTION

FIG. 1 is a perspective view of a hose reel showing my new design;
FIG. 2 is another perspective view thereof;
FIG. 3 is a front elevation view thereof;
FIG. 4 is a back elevation view thereof;
FIG. 5 is a left side view thereof;
FIG. 6 is a right side view thereof;
FIG. 7 is a top plan view thereof; and,
FIG. 8 is a bottom plan view thereof.
The broken lines in the drawings depict environmental subject matter only and form no part of the claimed design.

1 Claim, 8 Drawing Sheets



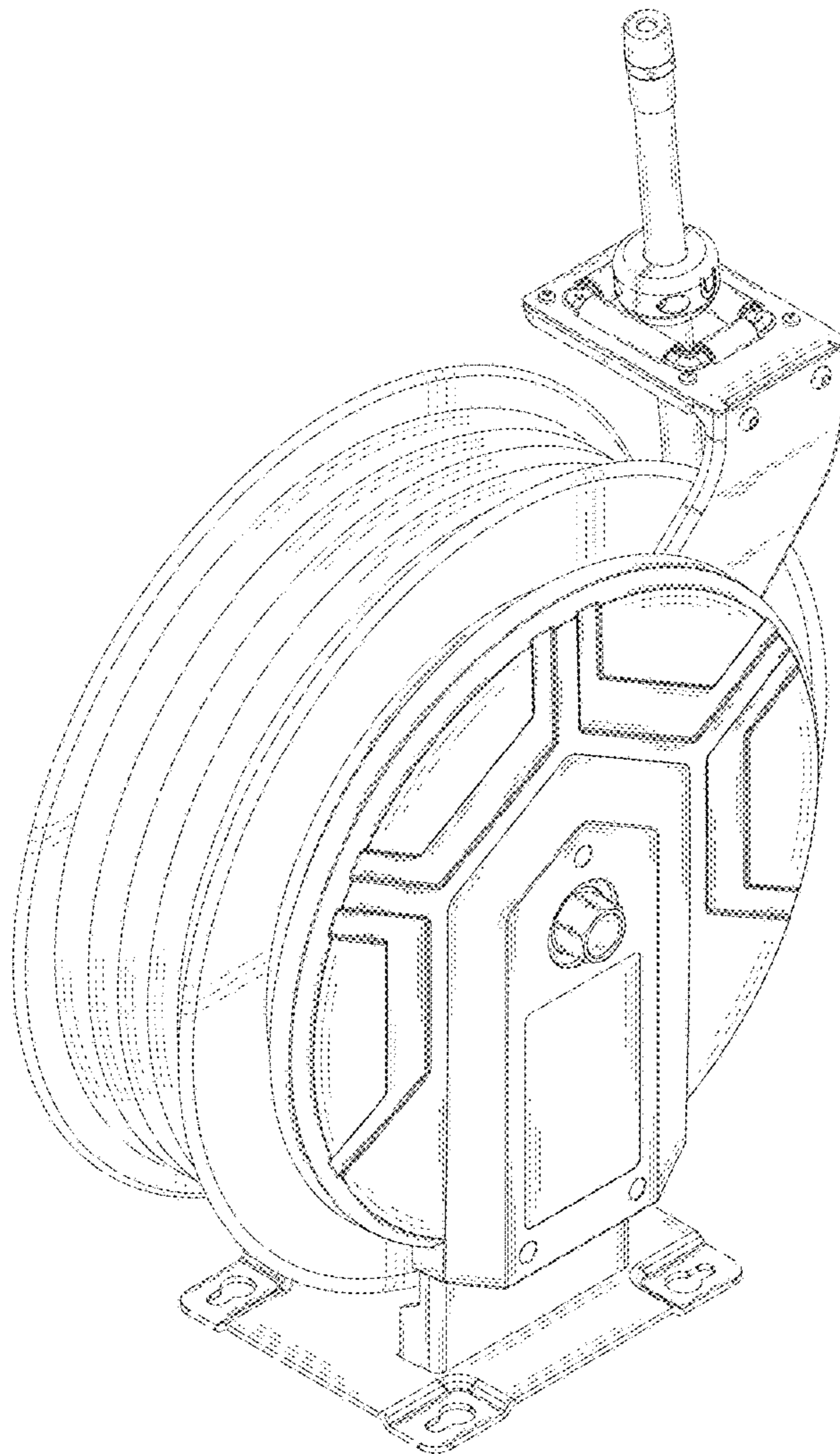


FIG. 1

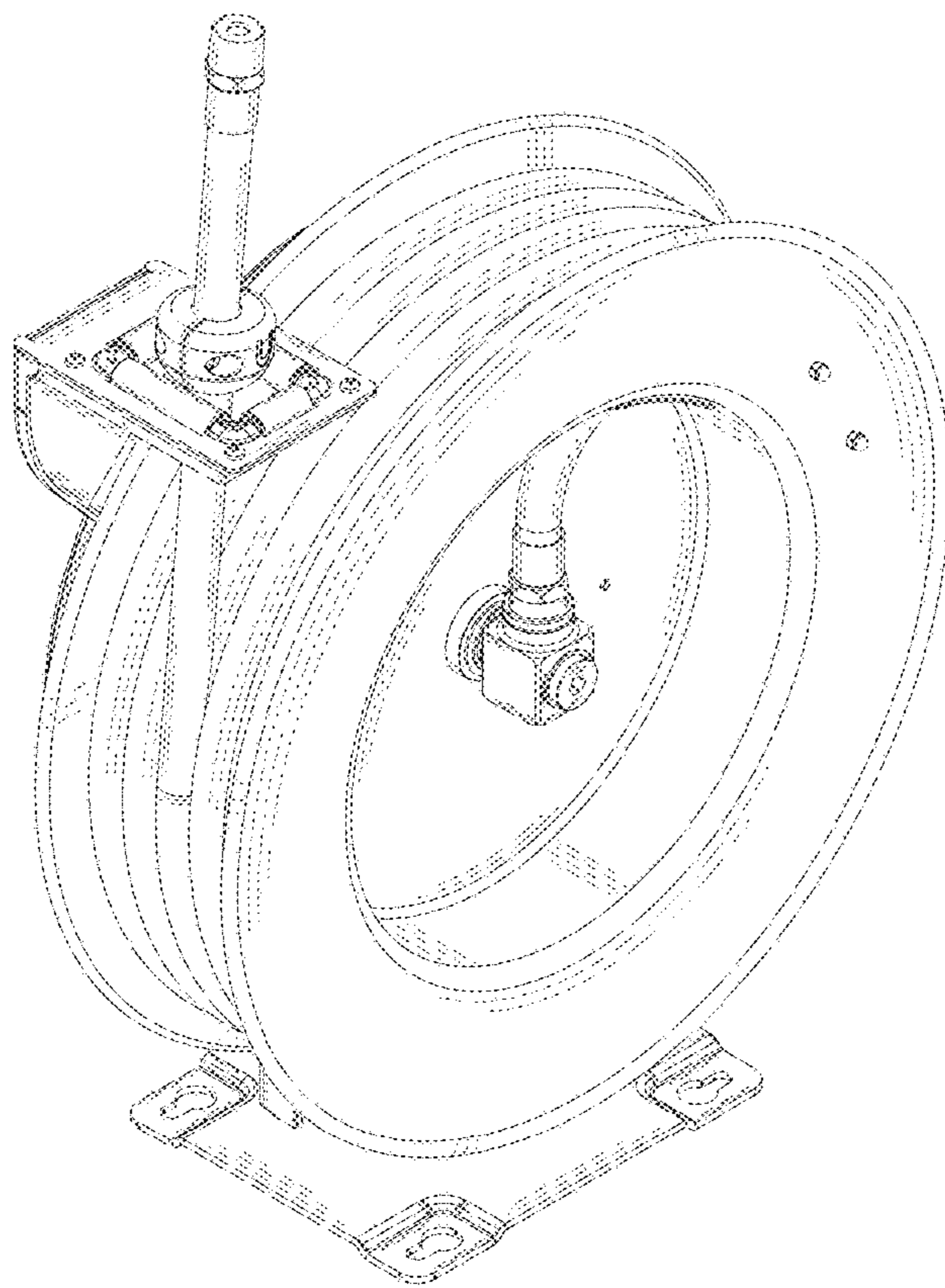


FIG. 2

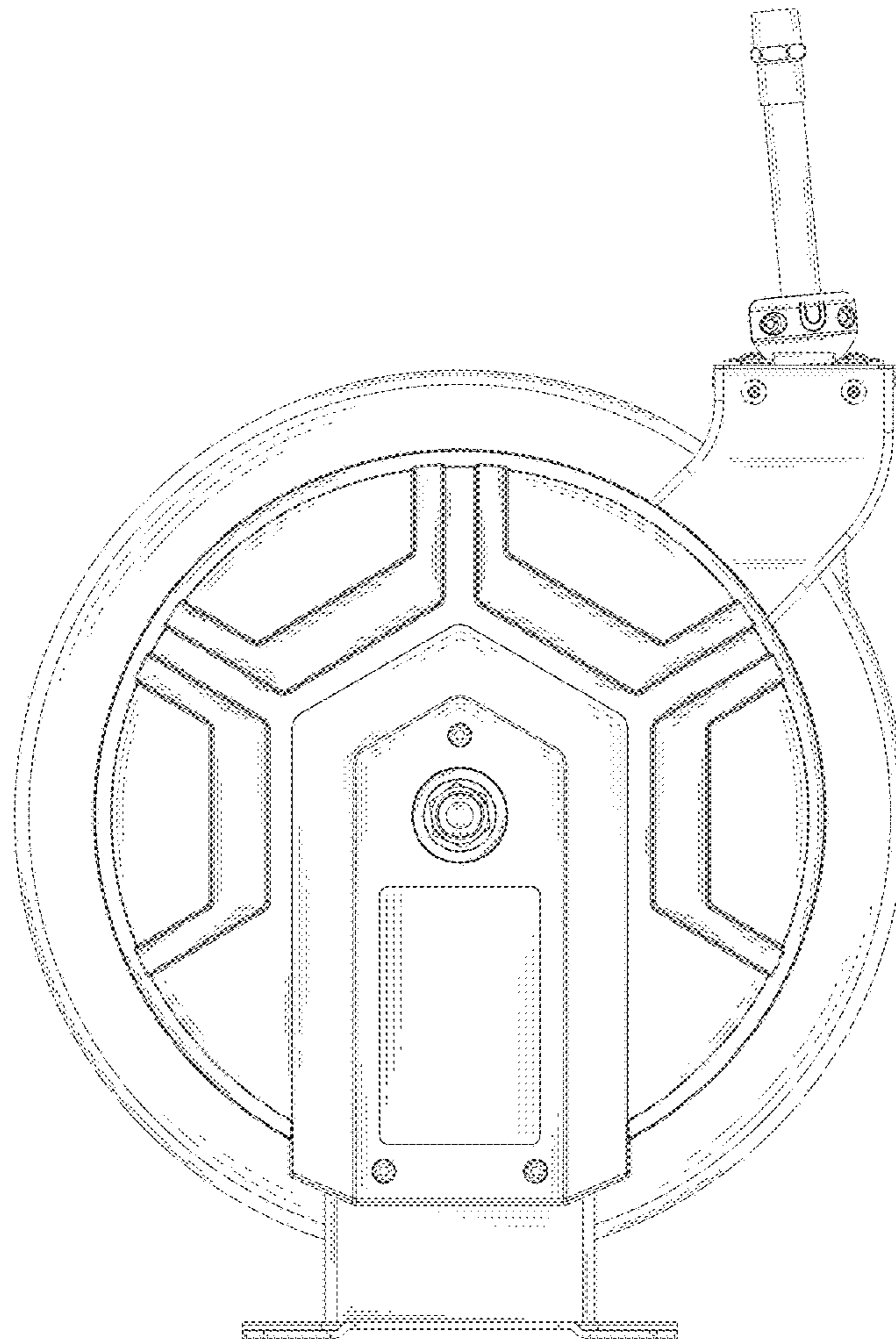


FIG. 3

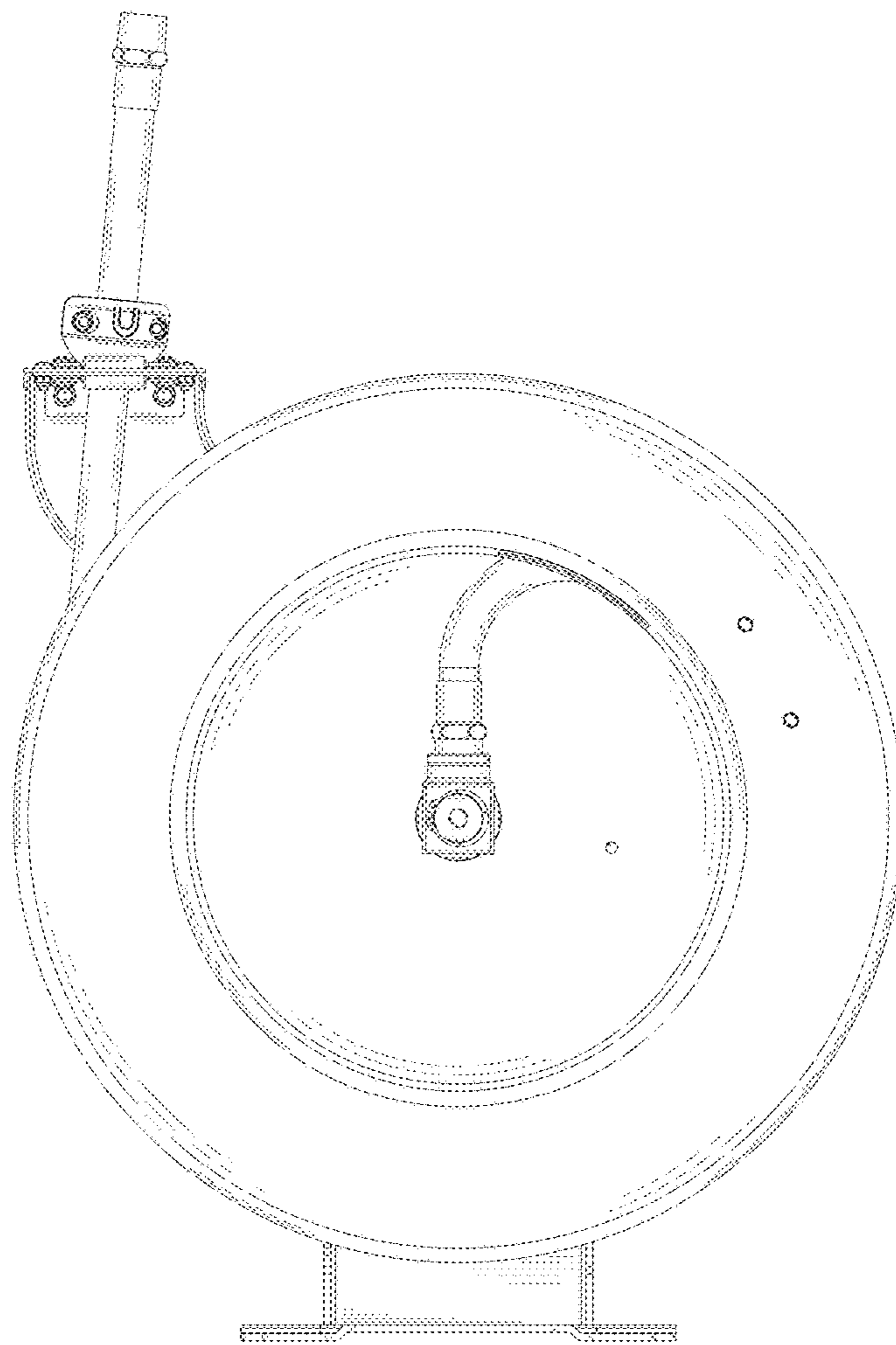


FIG. 4

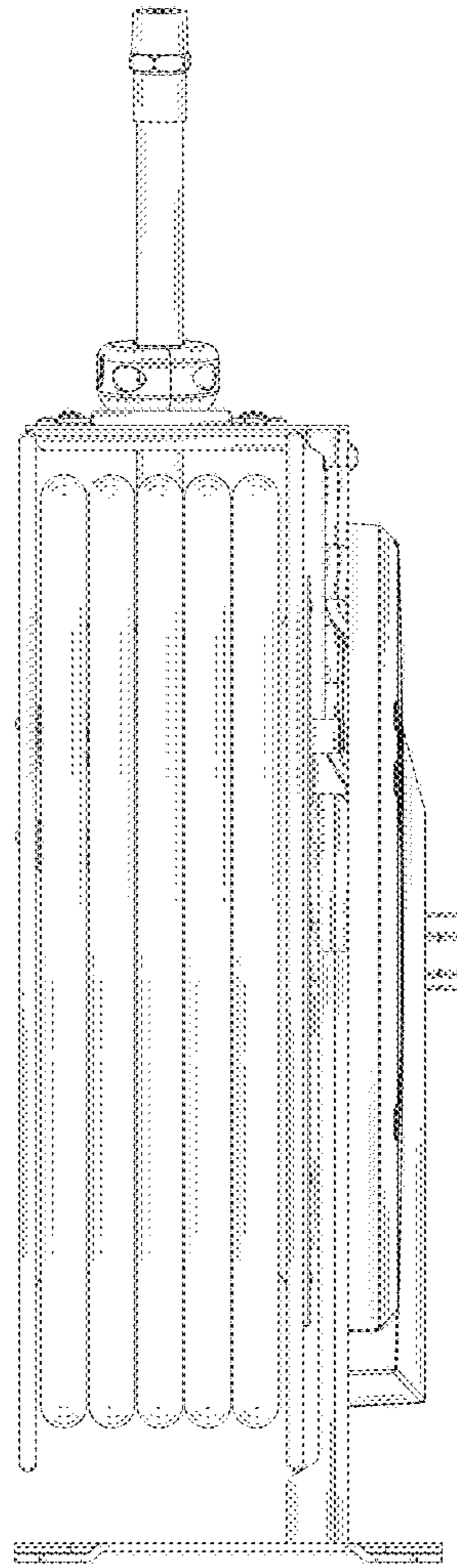


FIG. 5

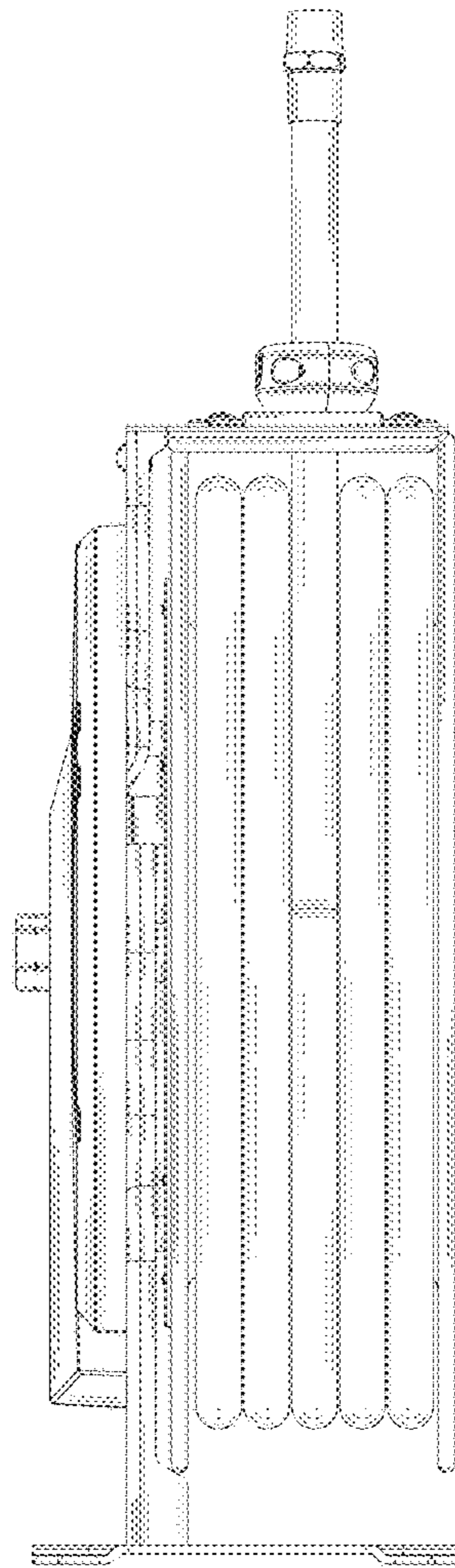


FIG. 6

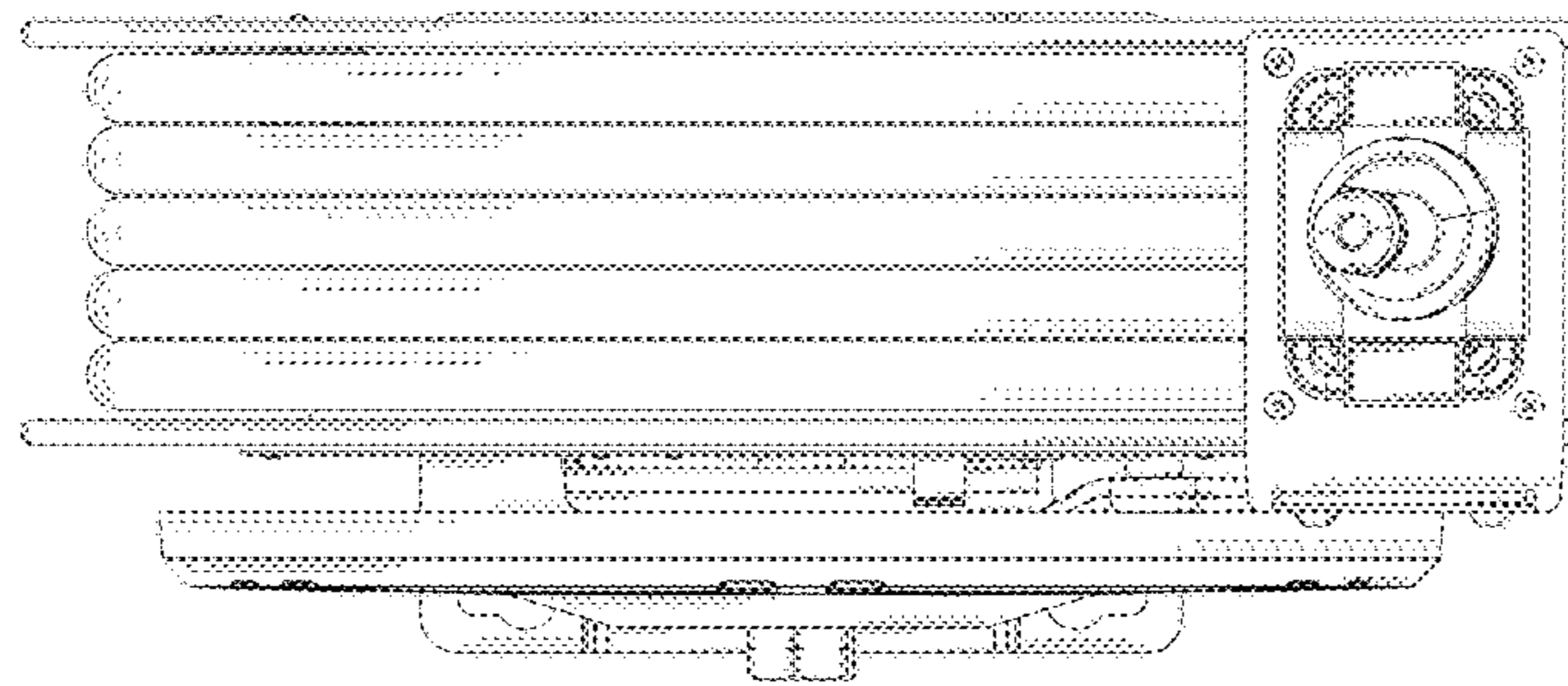


FIG. 7

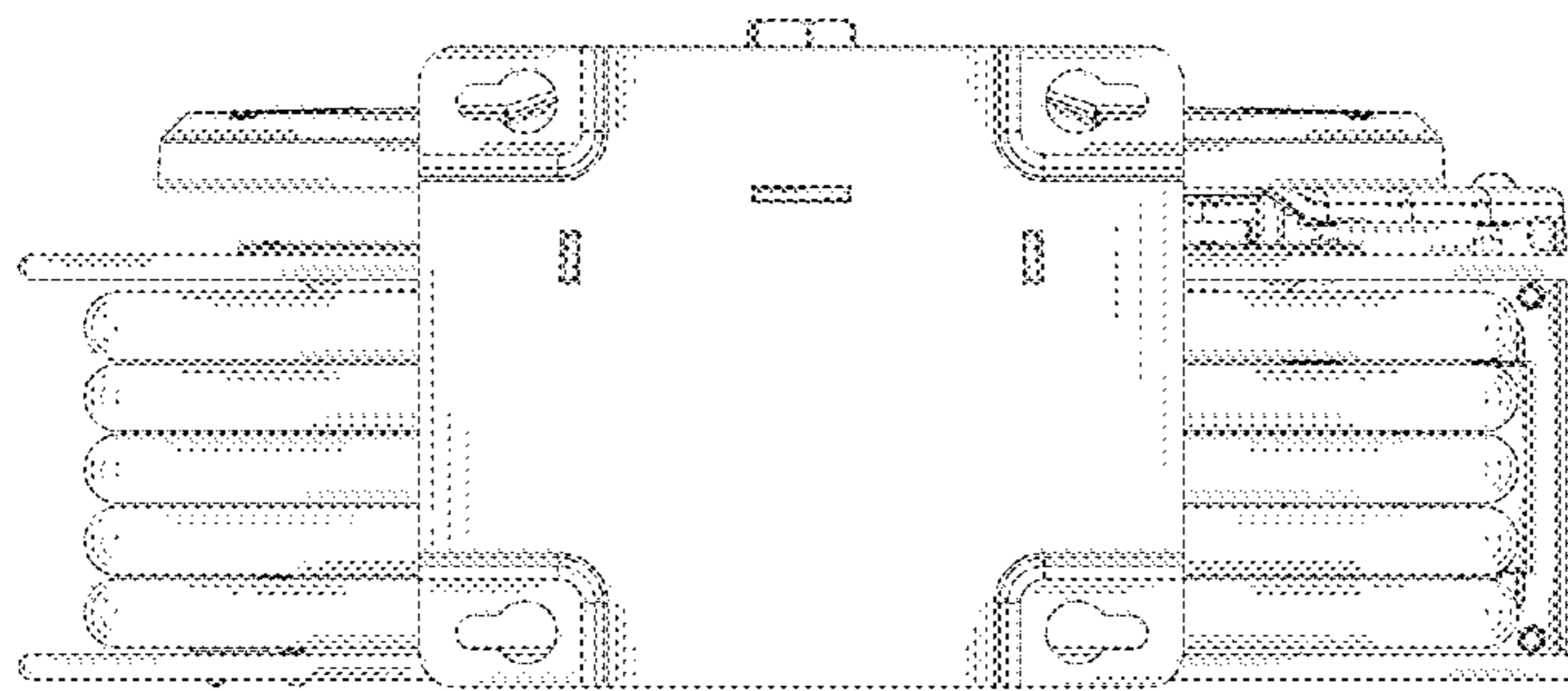


FIG. 8