



US00D814893S

(12) **United States Design Patent** (10) **Patent No.:** **US D814,893 S**  
**Alliss** (45) **Date of Patent:** **\*\* Apr. 10, 2018**

(54) **SPOOL FOR A STRING TRIMMER HEAD**  
(71) Applicant: **George E. Alliss**, Fairmont, NC (US)  
(72) Inventor: **George E. Alliss**, Fairmont, NC (US)  
(\*\*) Term: **15 Years**  
(21) Appl. No.: **29/557,558**  
(22) Filed: **Mar. 10, 2016**  
(51) **LOC (11) Cl.** ..... **08-01**  
(52) **U.S. Cl.**  
USPC ..... **D8/8**  
(58) **Field of Classification Search**  
USPC ..... D8/1, 7, 8, 9, 383, 499; D15/1, 17  
CPC .... A01D 34/01; A01D 34/412; A01D 34/416;  
A01D 34/015; A01D 34/4161; A01D  
34/4165; A01D 34/4166; A01D 34/4167;  
A01D 34/84; A01G 3/062; B25F 5/02  
See application file for complete search history.

D589,776 S 4/2009 Camp  
D598,255 S 8/2009 Alliss  
D675,655 S 2/2013 Leach  
D712,215 S 9/2014 Tajik et al.  
D715,608 S 10/2014 Cigarini  
D727,695 S 4/2015 Tinius  
D759,445 S 6/2016 Tinius  
D763,640 S 8/2016 Cigarini et al.  
D769,086 S \* 10/2016 Alliss ..... D8/8  
D769,087 S \* 10/2016 Alliss ..... D8/8  
D769,088 S \* 10/2016 Alliss ..... D8/8  
D776,997 S 1/2017 Tinius  
D796,293 S 9/2017 Alliss  
2003/0052218 A1\* 3/2003 Knizner ..... A01D 34/416  
242/590  
2008/0052917 A1 3/2008 Proulx  
2009/0172955 A1 7/2009 Morris et al.

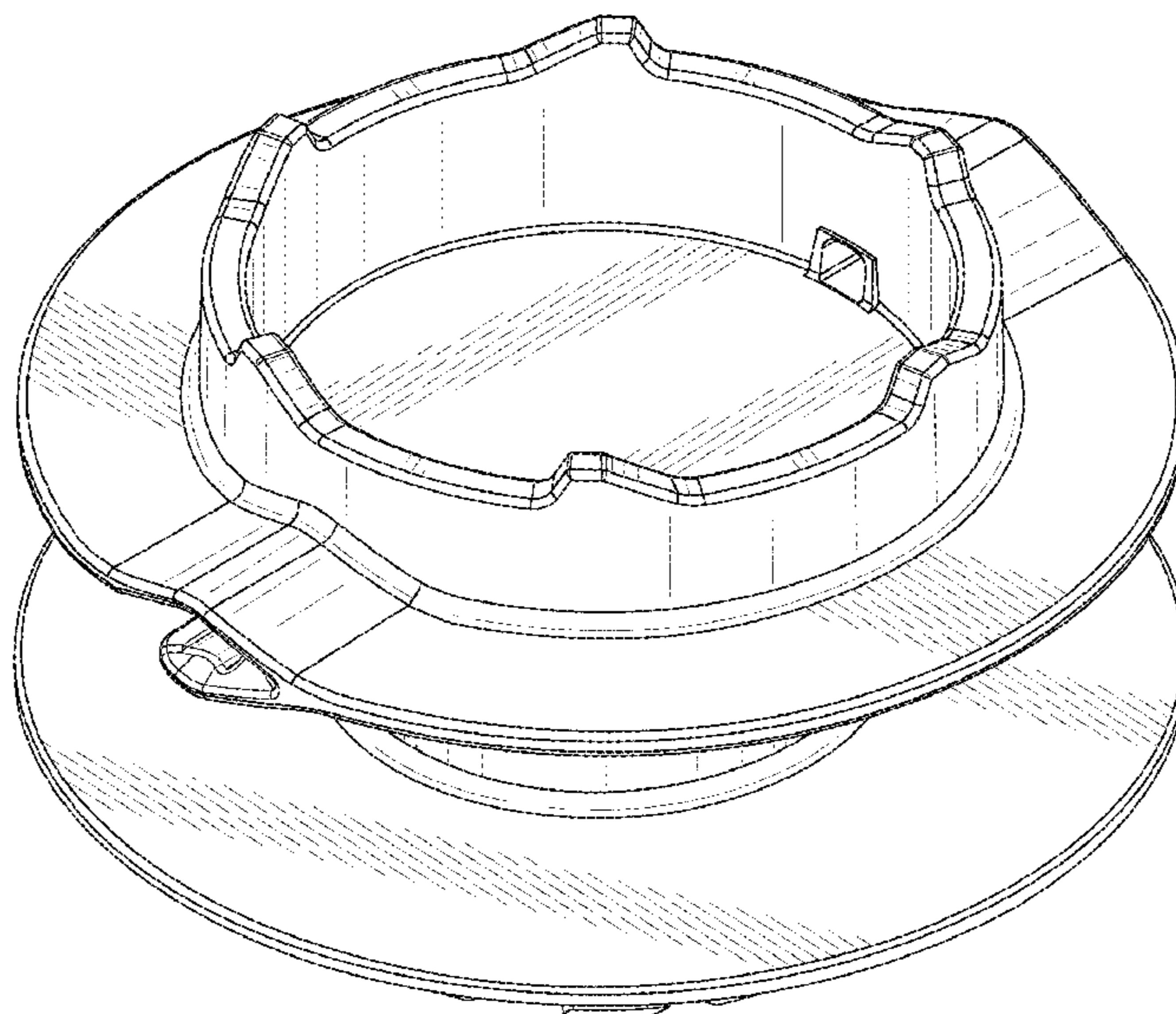
(56) **References Cited**  
U.S. PATENT DOCUMENTS  
2,797,592 A 7/1957 Marrapese  
D252,208 S 6/1979 Ooya  
D254,173 S 2/1980 Proulx  
4,550,498 A \* 11/1985 Oliver ..... A01D 34/416  
30/276  
D284,263 S 6/1986 Resan  
D284,266 S 6/1986 Resan  
D302,779 S 8/1989 Baba  
D346,727 S 5/1994 Eriksson  
D347,773 S 6/1994 Nash  
D460,904 S \* 7/2002 Riley ..... D8/8  
D465,975 S \* 11/2002 Iacona ..... D8/8  
D472,947 S 4/2003 Wu  
D479,961 S 9/2003 Iacona  
D482,581 S 11/2003 Nystrom  
D482,941 S 12/2003 Nystrom  
D516,407 S 3/2006 Grutzke et al.

(Continued)  
*Primary Examiner* — Sandra S Snapp  
*Assistant Examiner* — Ieisha N Price  
(74) *Attorney, Agent, or Firm* — Sand & Sebolt

(57) **CLAIM**  
The ornamental design for a spool for a string trimmer head,  
as shown and described.

**DESCRIPTION**  
FIG. 1 is a front and top perspective view of a spool for a  
string trimmer head.  
FIG. 2 is a top plan view of the spool for a string trimmer  
head of FIG. 1.  
FIG. 3 is a bottom plan view of the spool for a string trimmer  
head of FIG. 1.  
FIG. 4 is a front view of the spool for a string trimmer head  
of FIG. 1. The back view being the same as the front view;  
and,  
FIG. 5 is a right elevation view of the spool for a string  
trimmer head of FIG. 1. The left elevation view being the  
same as the right elevation view.

**1 Claim, 5 Drawing Sheets**



(56)

**References Cited**

U.S. PATENT DOCUMENTS

2009/0260237 A1\* 10/2009 Alliss ..... A01D 34/4162  
30/276  
2009/0282687 A1\* 11/2009 Arnetoli ..... A01D 34/4161  
30/276  
2011/0000091 A1\* 1/2011 Proulx ..... A01D 34/4165  
30/276  
2011/0302793 A1\* 12/2011 Alliss ..... A01D 34/4166  
30/347  
2012/0066913 A1\* 3/2012 Alliss ..... A01D 34/4165  
30/276  
2014/0215835 A1 8/2014 Racov et al.  
2015/0150191 A1\* 6/2015 Alliss ..... A01D 34/4163  
30/276  
2015/0223395 A1 8/2015 Pellenc et al.  
2015/0327436 A1 11/2015 Skinner et al.  
2015/0342116 A1 12/2015 Sprungman et al.  
2016/0143219 A1 5/2016 Yuan et al.  
2016/0278288 A1 9/2016 Yamaoka  
2017/0238461 A1 8/2017 Cabrera et al.

\* cited by examiner

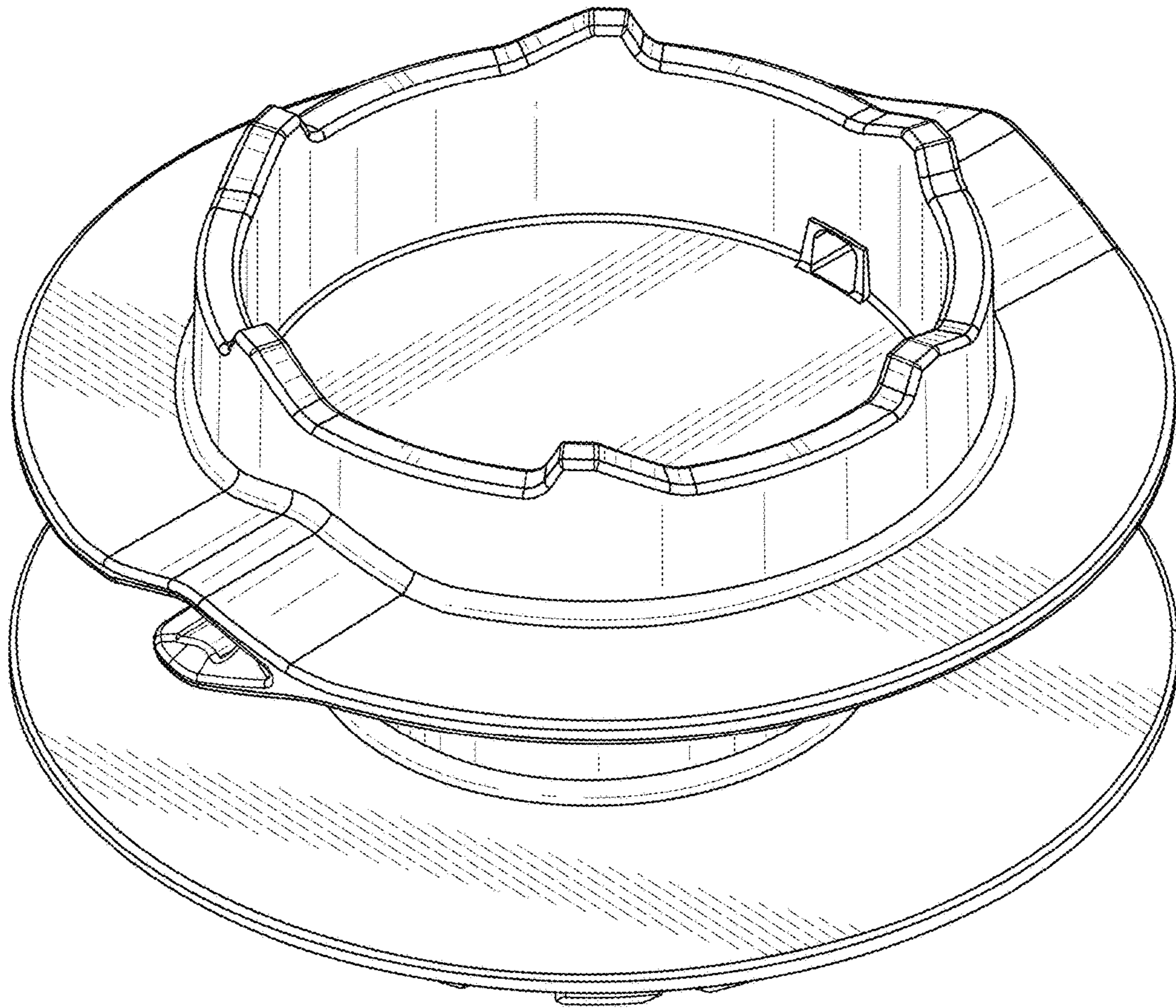


FIG.1

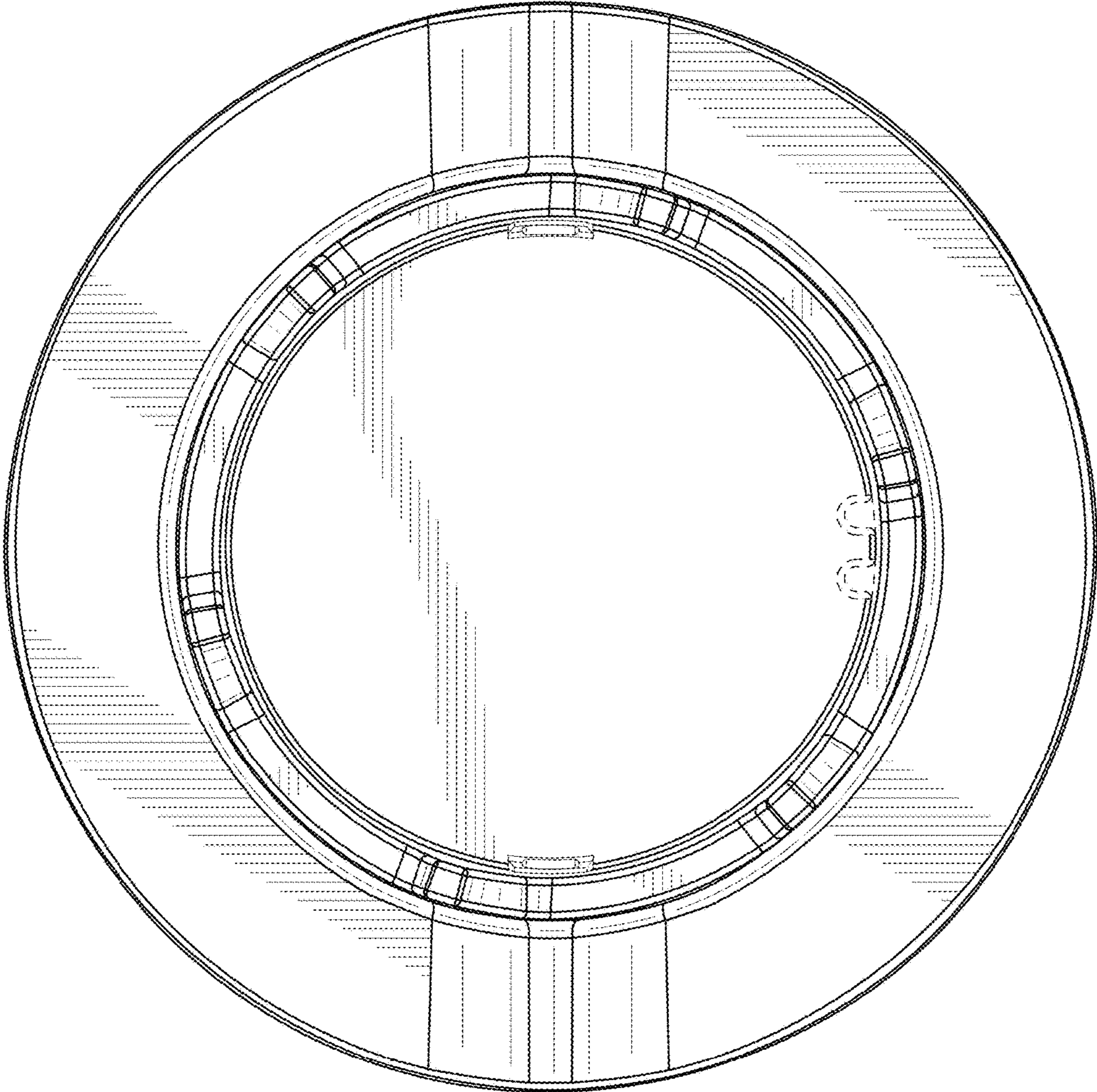


FIG.2

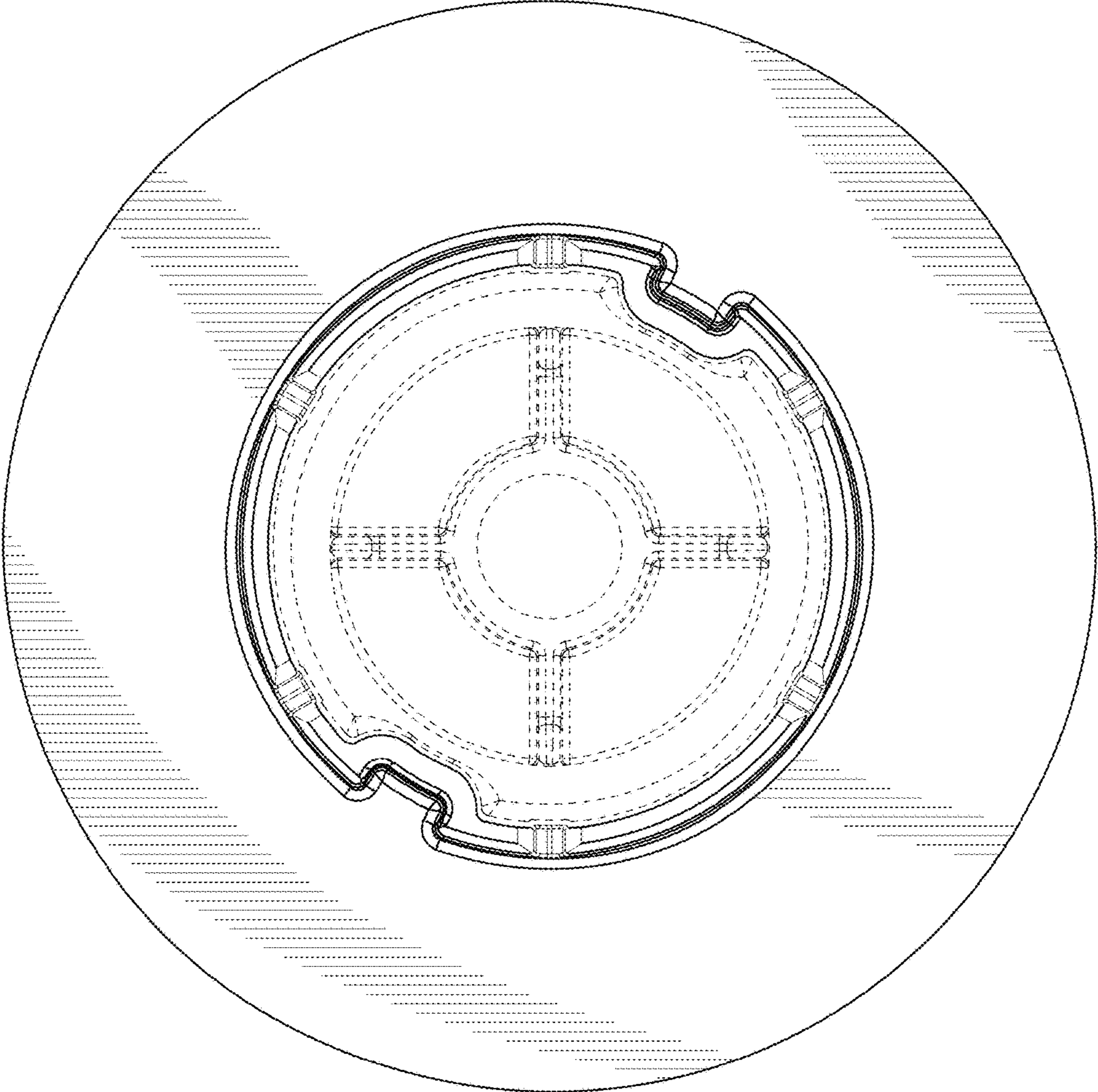


FIG.3

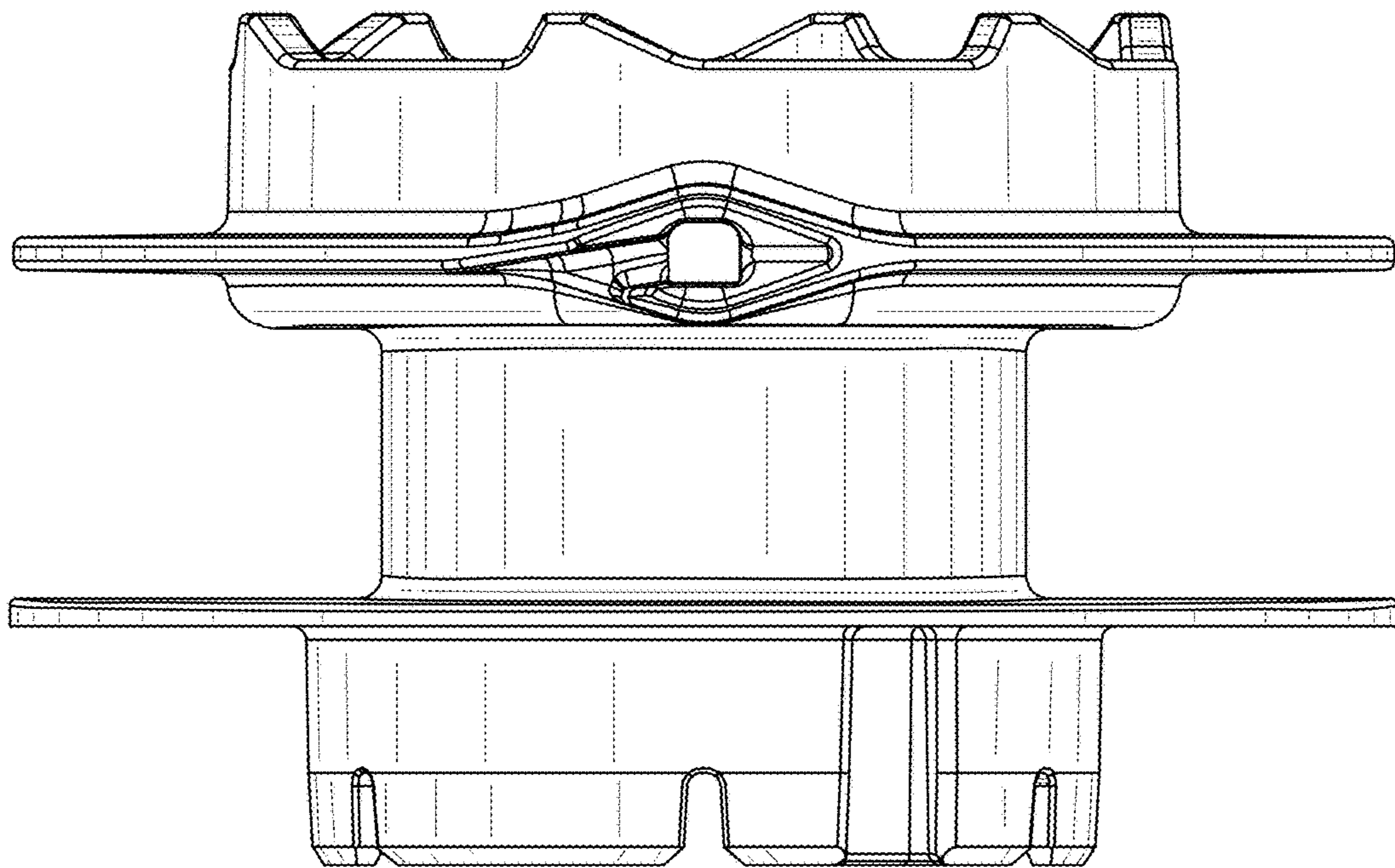


FIG. 4

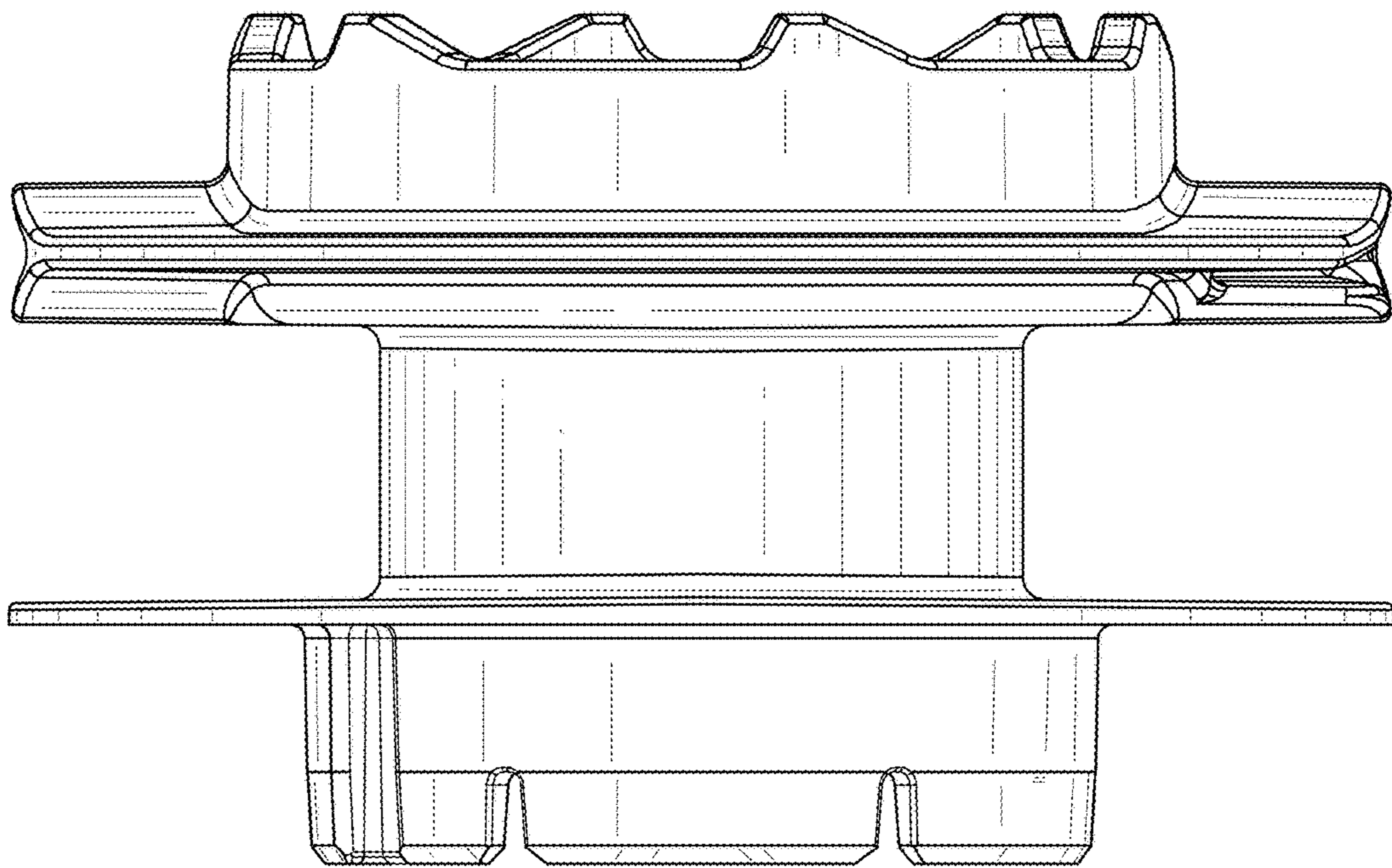


FIG. 5