



US00D378760S

United States Patent [19]

[11] Patent Number: **Des. 378,760**

Shinada et al.

[45] Date of Patent: ****Apr. 8, 1997**

[54] **INK CARTRIDGE FOR PRINTER**
[75] Inventors: **Satoshi Shinada; Takao Kobayashi; Seiji Mochizuki; Satoshi Fujioka**, all of Suwa, Japan

| | | | |
|-----------|--------|----------------------|--------|
| 4,491,433 | 1/1985 | Shiurila et al. | 347/85 |
| 4,920,360 | 4/1990 | Terasawa et al. | 347/87 |
| 5,119,115 | 6/1992 | Buat et al. | 347/86 |
| 5,231,425 | 7/1993 | Masuda et al. | 347/87 |
| 5,314,257 | 5/1994 | Cheng | D18/56 |

[73] Assignee: **Seiko Epson Corporation**, Tokyo, Japan

Primary Examiner—Cathy Anne MacCormac
Attorney, Agent, or Firm—Stroock & Stroock & Lavan

[**] Term: **14 Years**

[57] CLAIM

[21] Appl. No.: **37,911**

The ornamental design for an ink cartridge for printer, as shown and described.

[22] Filed: **Apr. 24, 1995**

DESCRIPTION

[30] Foreign Application Priority Data

FIG. 1 is a top, front and right side perspective view of an ink cartridge for printer showing our new design;
FIG. 2 is a front view thereof;
FIG. 3 is a rear view thereof;
FIG. 4 is a right side view thereof;
FIG. 5 is a top plan view thereof;
FIG. 6 is a bottom view thereof;
FIG. 7 is a top, front and right side perspective view of the other embodiment showing our new design;
FIG. 8 is a front view thereof;
FIG. 9 is a rear view thereof;
FIG. 10 is a right side view thereof; and,
FIG. 11 is a bottom view thereof.

Oct. 24, 1994 [JP] Japan 6-32358
 [52] **U.S. Cl.** **D18/56**; 347/86
 [58] **Field of Search** D18/12, 43, 56;
 347/42-43, 86-87

[56] References Cited

U.S. PATENT DOCUMENTS

| | | | |
|------------|---------|----------------------|--------|
| D. 279,581 | 7/1985 | Juliana et al. | D18/56 |
| D. 314,973 | 2/1991 | Yamamoto | D18/56 |
| D. 330,216 | 10/1992 | Mitcham | D18/56 |
| D. 351,190 | 10/1994 | Oshima et al. | D18/56 |
| D. 365,596 | 12/1995 | Miyazawa et al. | D18/56 |
| 4,156,244 | 5/1979 | Erikson et al. | 347/86 |

1 Claim, 4 Drawing Sheets

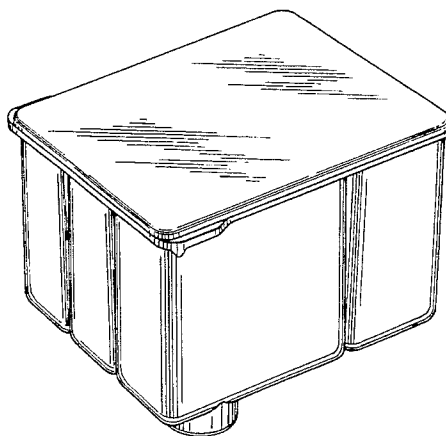
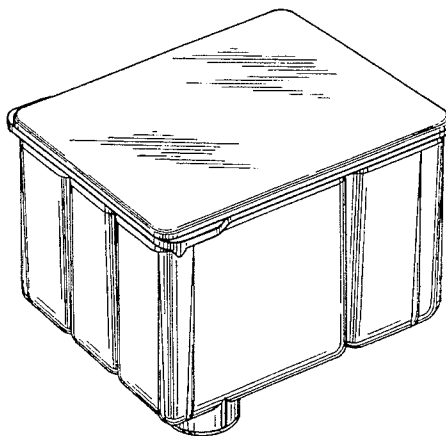


FIG. 1

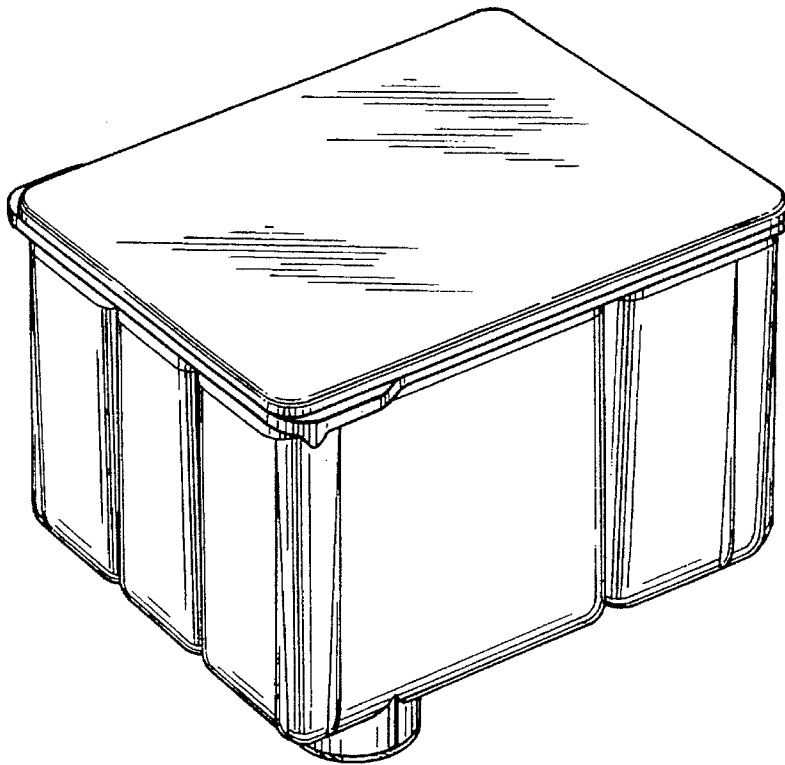


FIG. 2

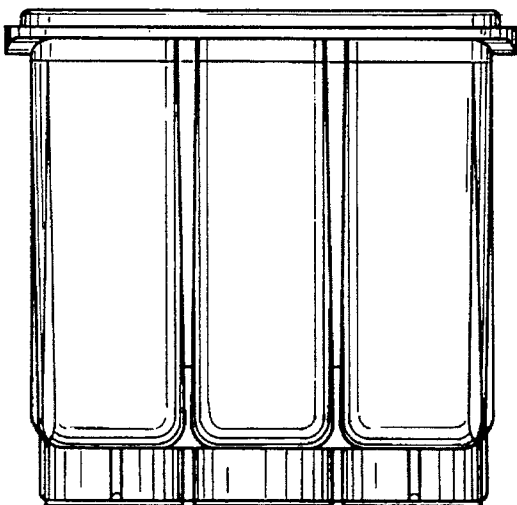


FIG. 3

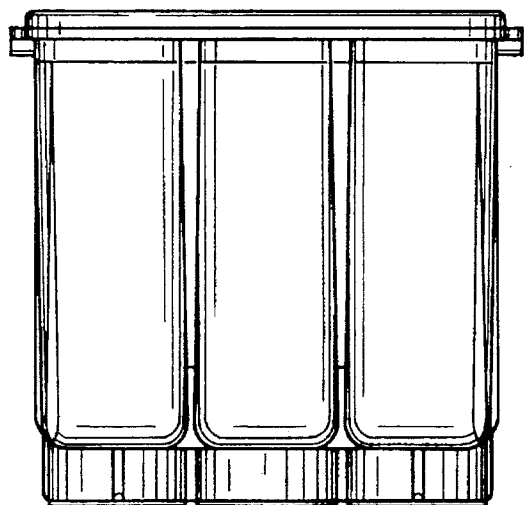


FIG. 4

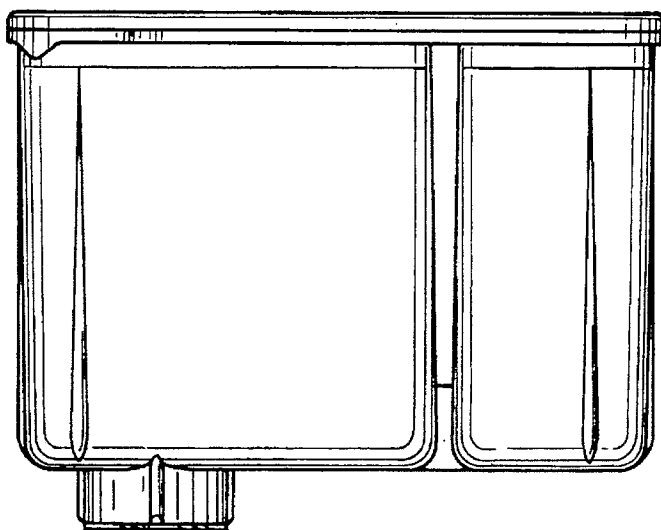


FIG. 5

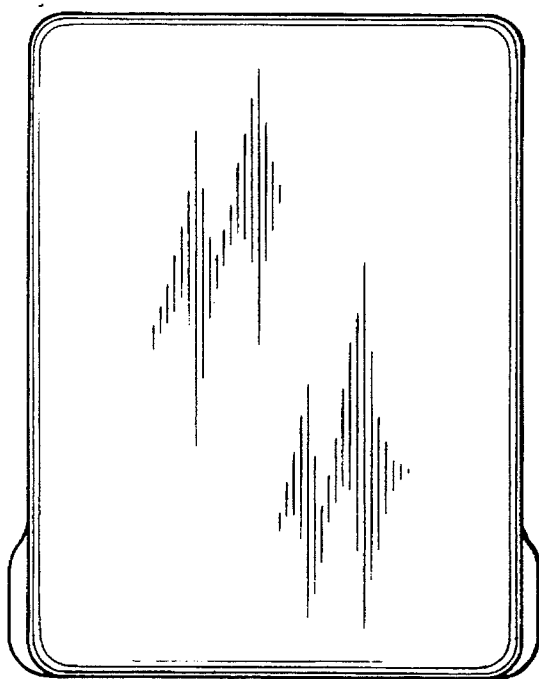


FIG. 6

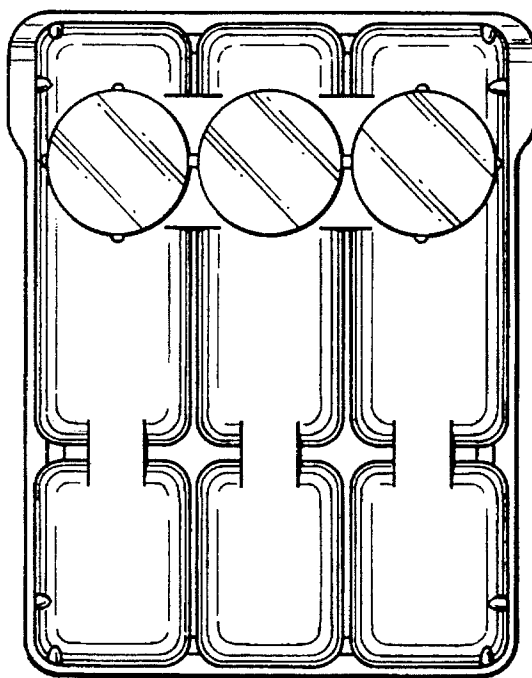


FIG. 7

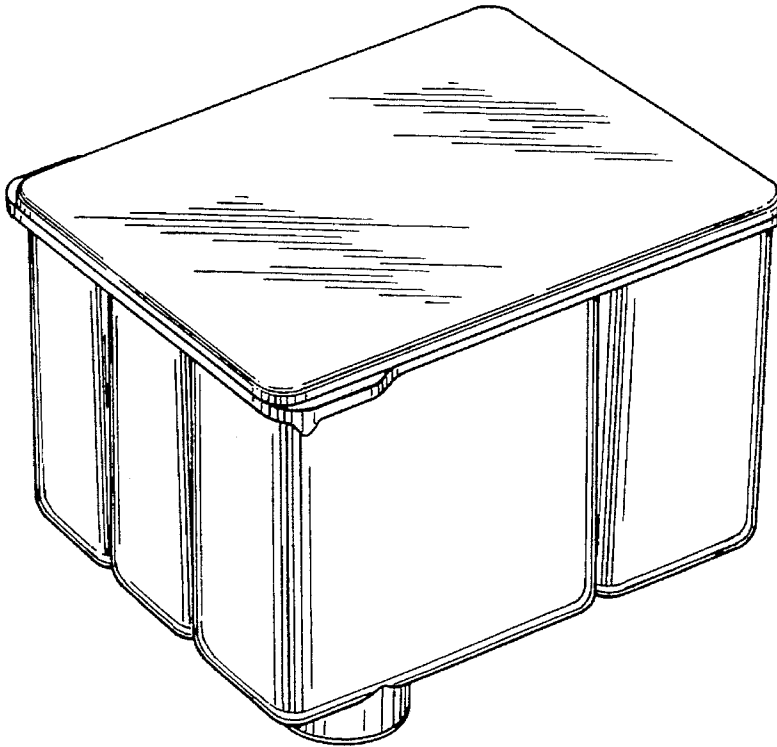


FIG. 8

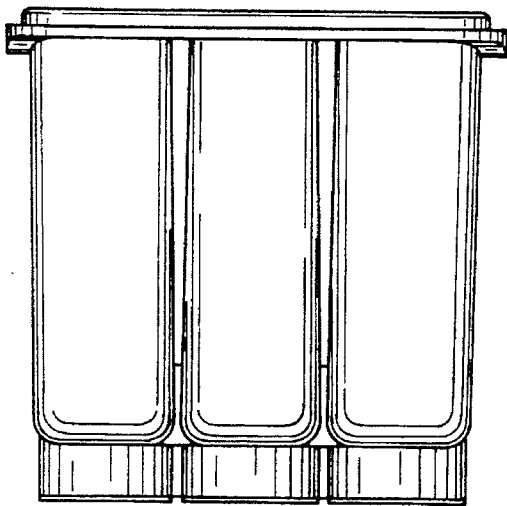


FIG. 9

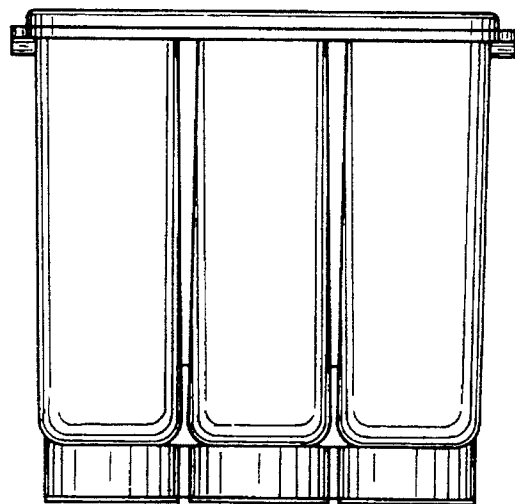


FIG. 10

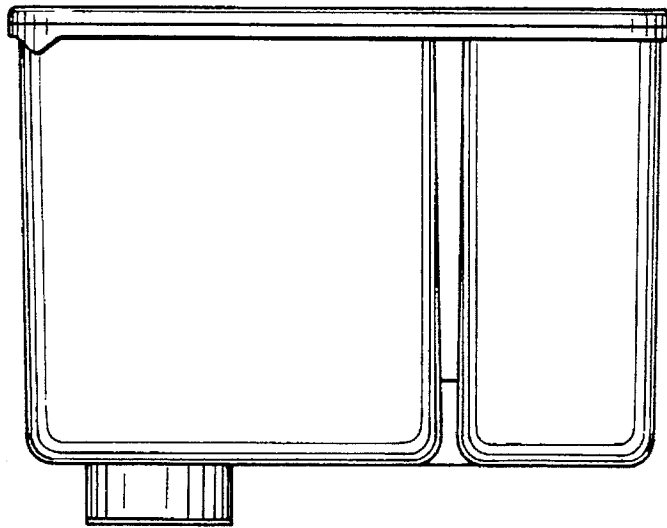
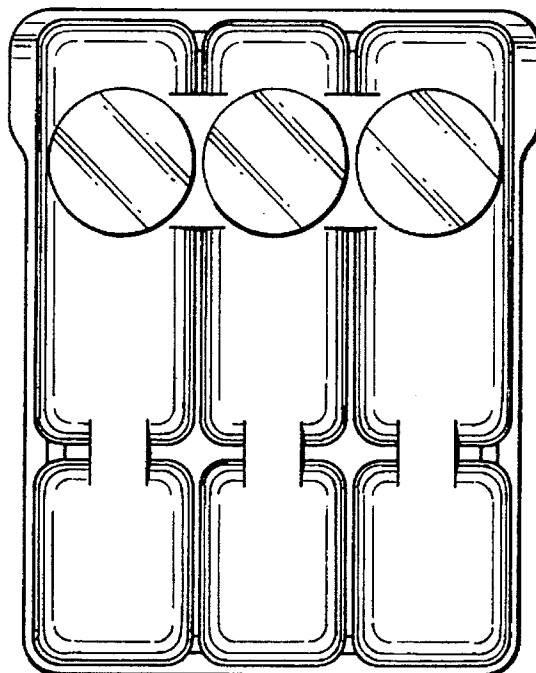


FIG. 11



UNITED STATES PATENT AND TRADEMARK OFFICE
CERTIFICATE OF CORRECTION

PATENT NO. : **Des. 378,760**
DATED : **April 8, 1997**
INVENTOR(S) : **Satoshi Shinada, Takao Kobayashi, Seiji Mochizuki, Satoshi Fujioka**

It is certified that error appears in the above-identified patent and that said Letters Patent is hereby corrected as shown below:

ON THE TITLE PAGE

[30] Foreign Application Priority Data

Oct. 24, 1994 [JP]6-32358
Mar. 31, 1995 [JP]7-9089

Signed and Sealed this
Twenty-fifth Day of November, 1997

Attest:



BRUCE LEHMAN

Attesting Officer

Commissioner of Patents and Trademarks