



US00D573399S

(12) **United States Design Patent**
Chung

(10) **Patent No.:** **US D573,399 S**

(45) **Date of Patent:** **** Jul. 22, 2008**

(54) **BARBECUE GRILL**

D549,037 S * 8/2007 Chung D7/337
D549,038 S * 8/2007 Chung D7/337

(76) Inventor: **Kiosky Chung**, No. 72, Chaoguei Rd.,
Situn District, Taichung City 407 (TW)

* cited by examiner

(**) Term: **14 Years**

Primary Examiner—Ruth McInroy
(74) *Attorney, Agent, or Firm*—Banger Shia

(21) Appl. No.: **29/299,614**

(57) **CLAIM**

(22) Filed: **Dec. 30, 2007**

I claim the ornamental design for a barbecue grill, as shown and described.

(51) **LOC (8) Cl.** **07-02**

(52) **U.S. Cl.** **D7/337**

(58) **Field of Classification Search** D7/332–337,
D7/402–405; 99/425, 447, 450; 126/25 R,
126/29–30, 25 A, 25 AA, 9 R, 9 B, 8, 38,
126/41 R, 40, 50, 506, 144, 211, 304 R, 305 R;
248/188.7, 165, 121, 431

See application file for complete search history.

DESCRIPTION

FIG. 1 is a perspective view of a barbecue grill, showing my new design;

FIG. 2 is a front elevational view thereof;

FIG. 3 is a rear elevational view thereof;

FIG. 4 is a left side elevational view thereof;

FIG. 5 is a right side elevational view thereof;

FIG. 6 is a top plan view thereof; and,

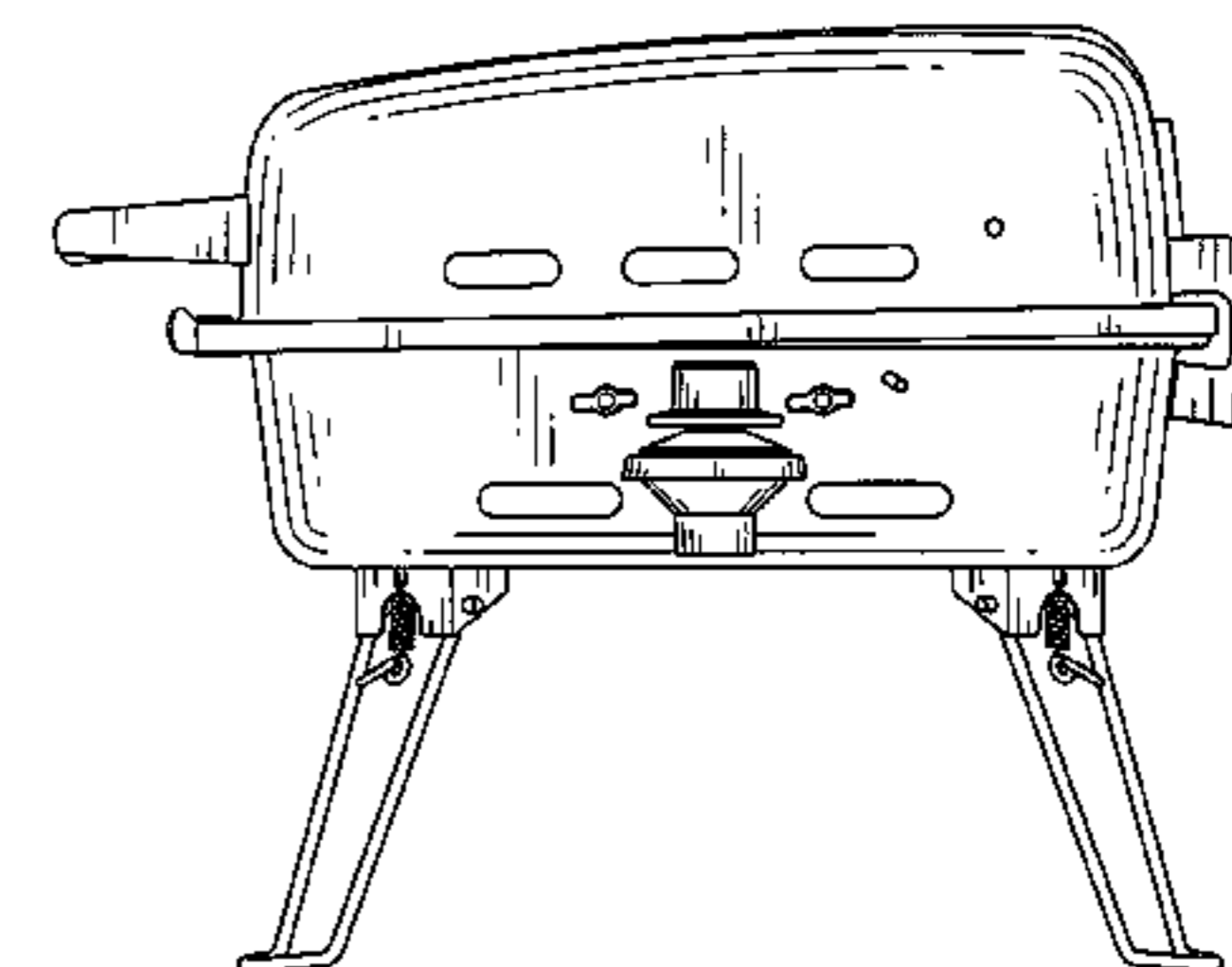
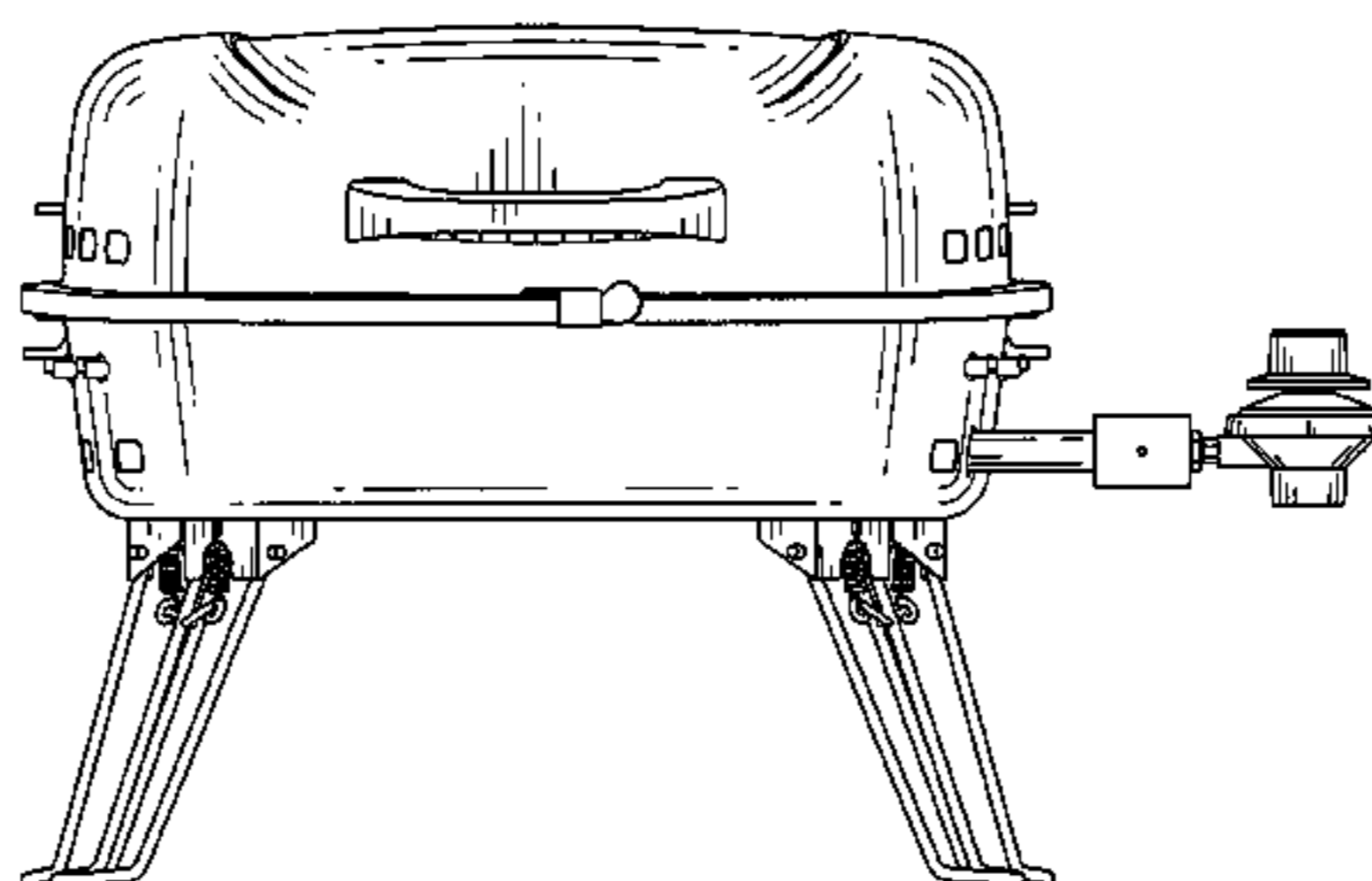
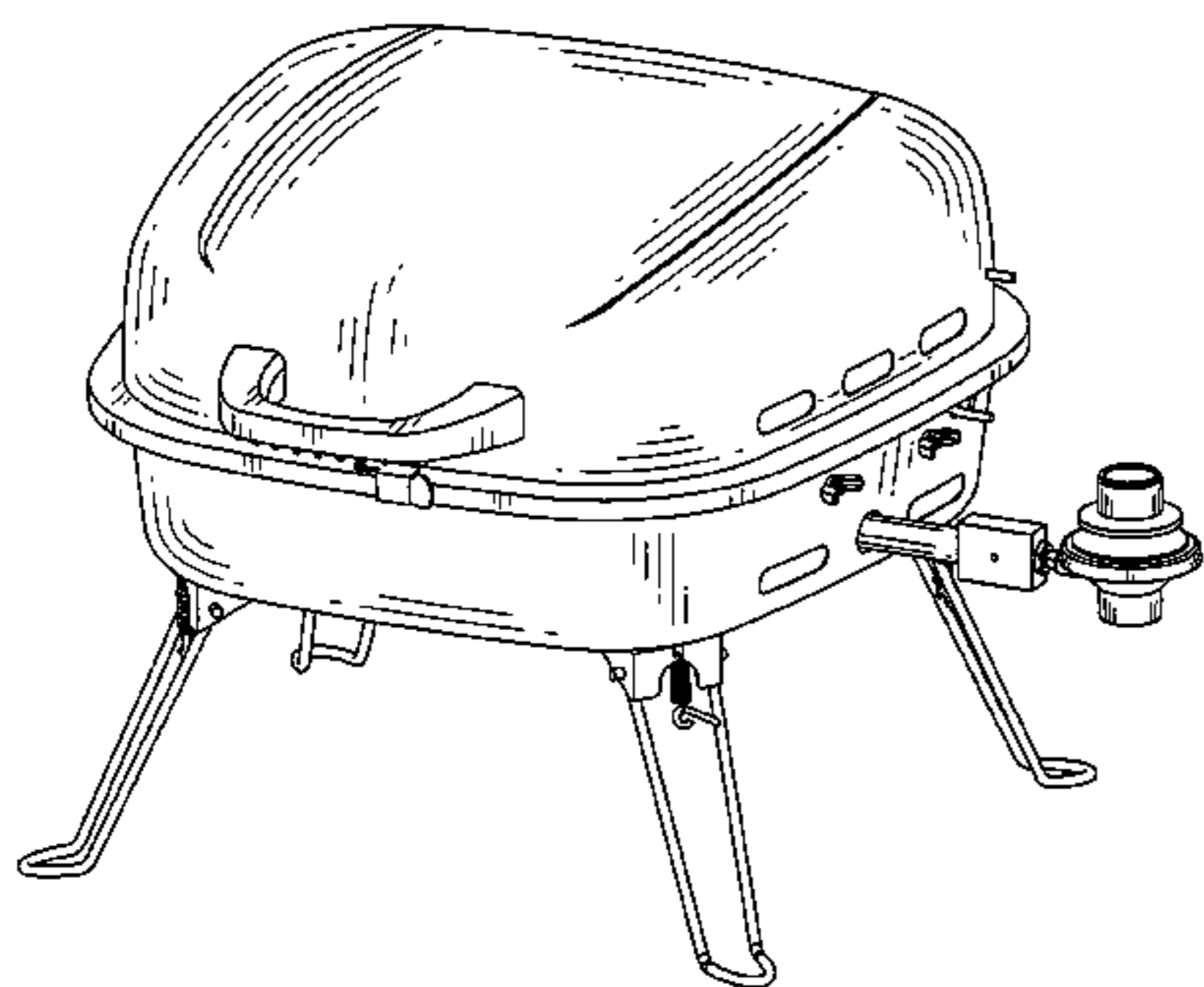
FIG. 7 is a bottom plan view thereof.

(56) **References Cited**

U.S. PATENT DOCUMENTS

D498,114 S * 11/2004 Zhang D7/337
D511,433 S * 11/2005 Zhang D7/337
D549,036 S * 8/2007 Chung D7/337

1 Claim, 7 Drawing Sheets



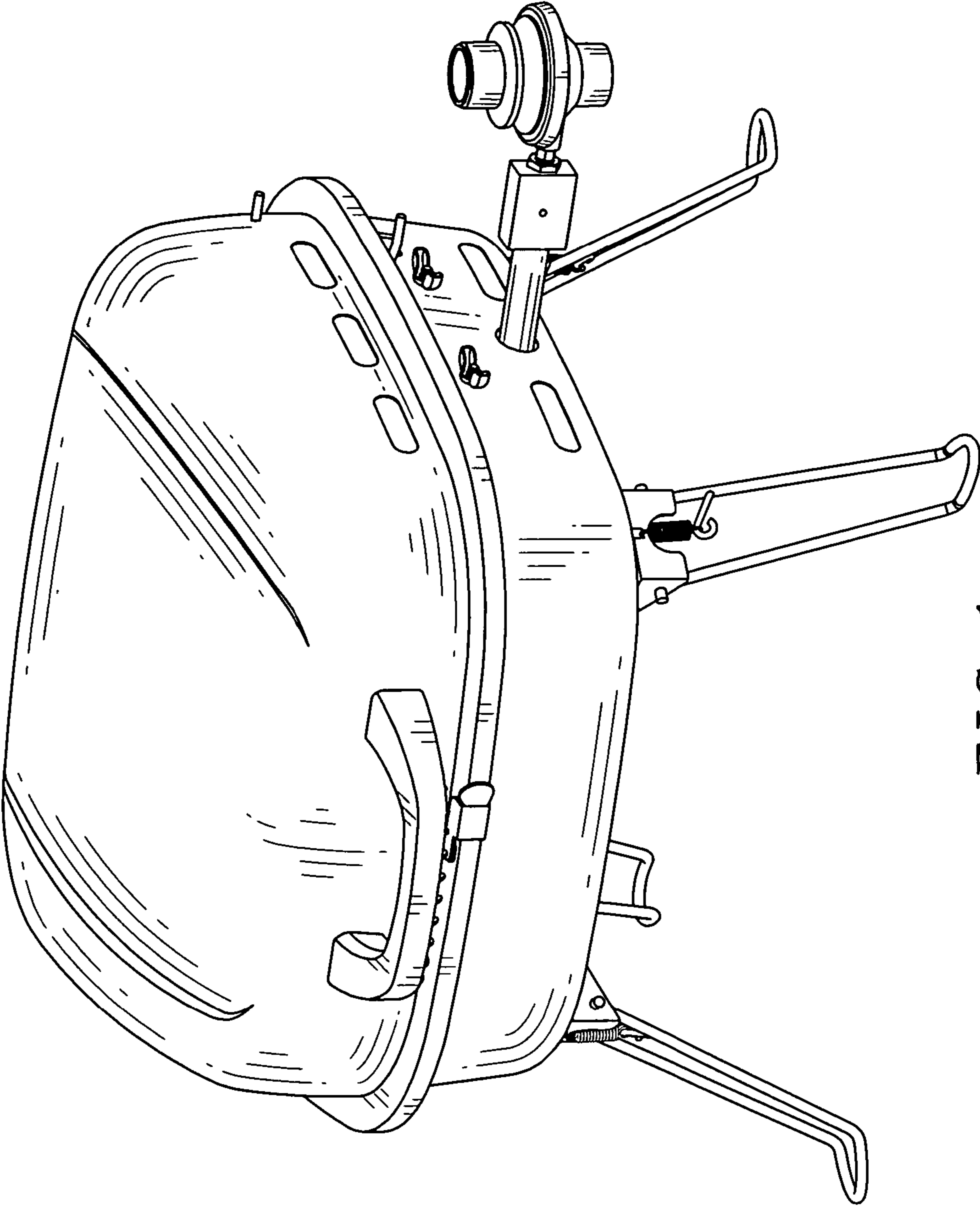


FIG. 1

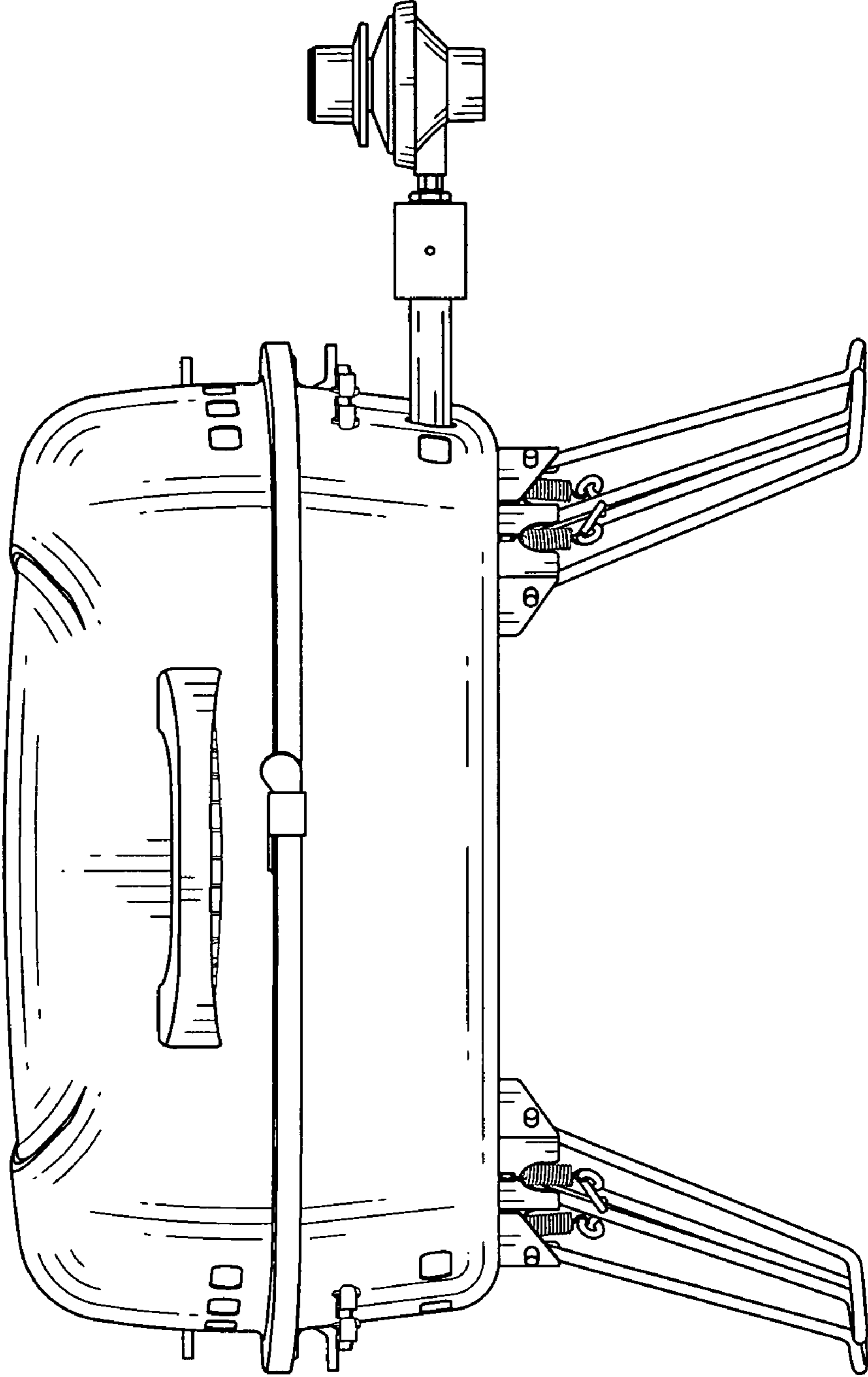


FIG. 2

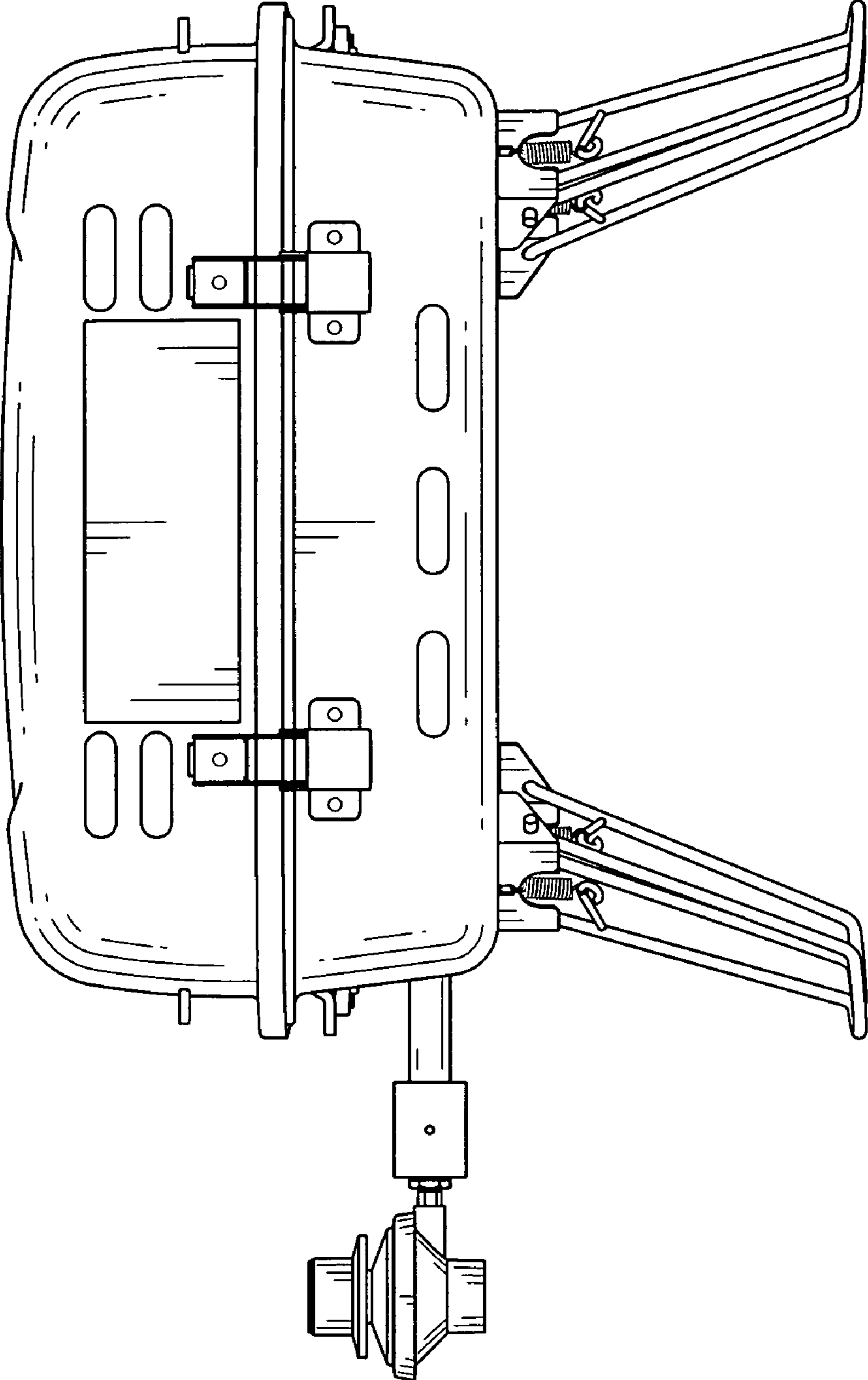


FIG. 3

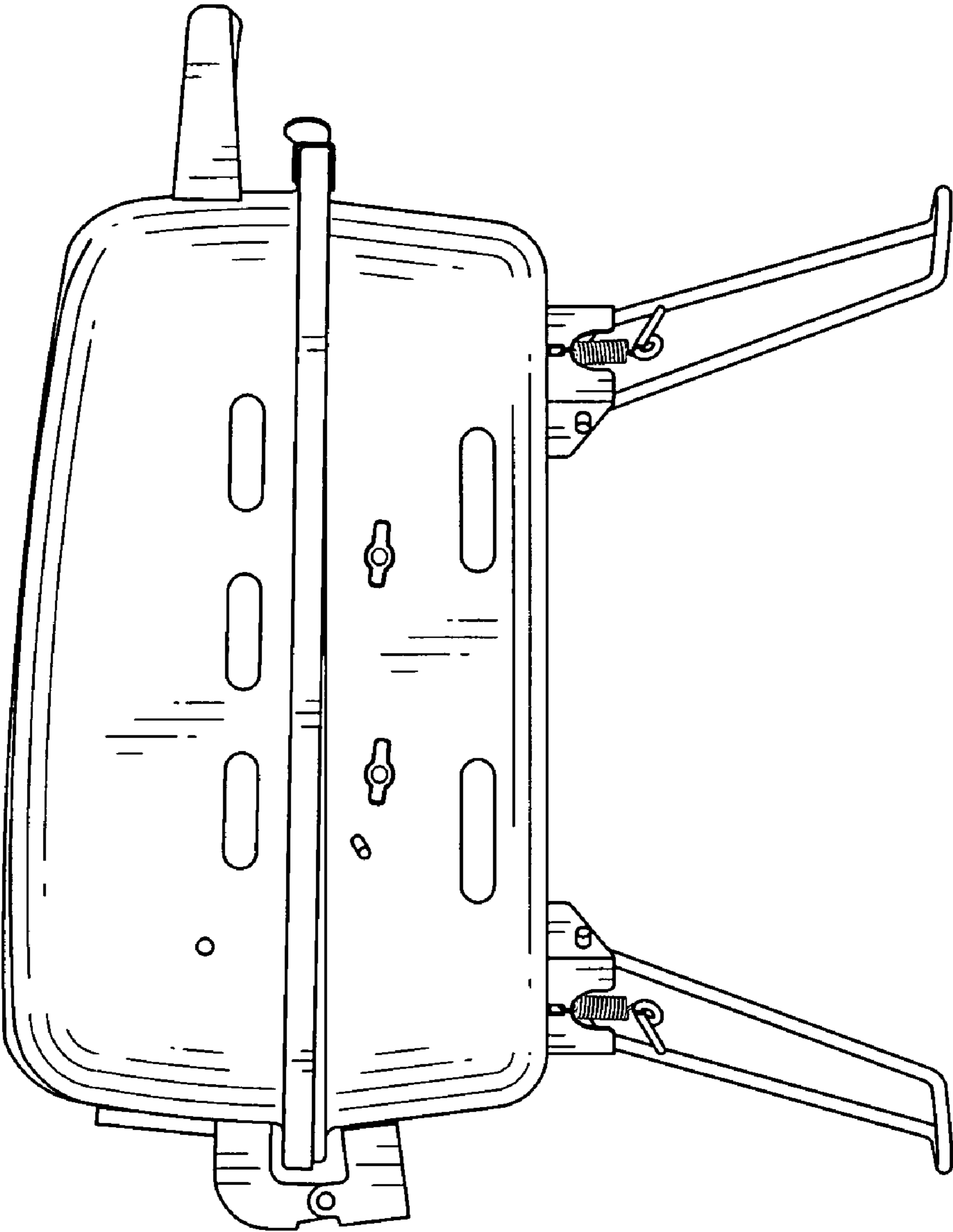


FIG. 4

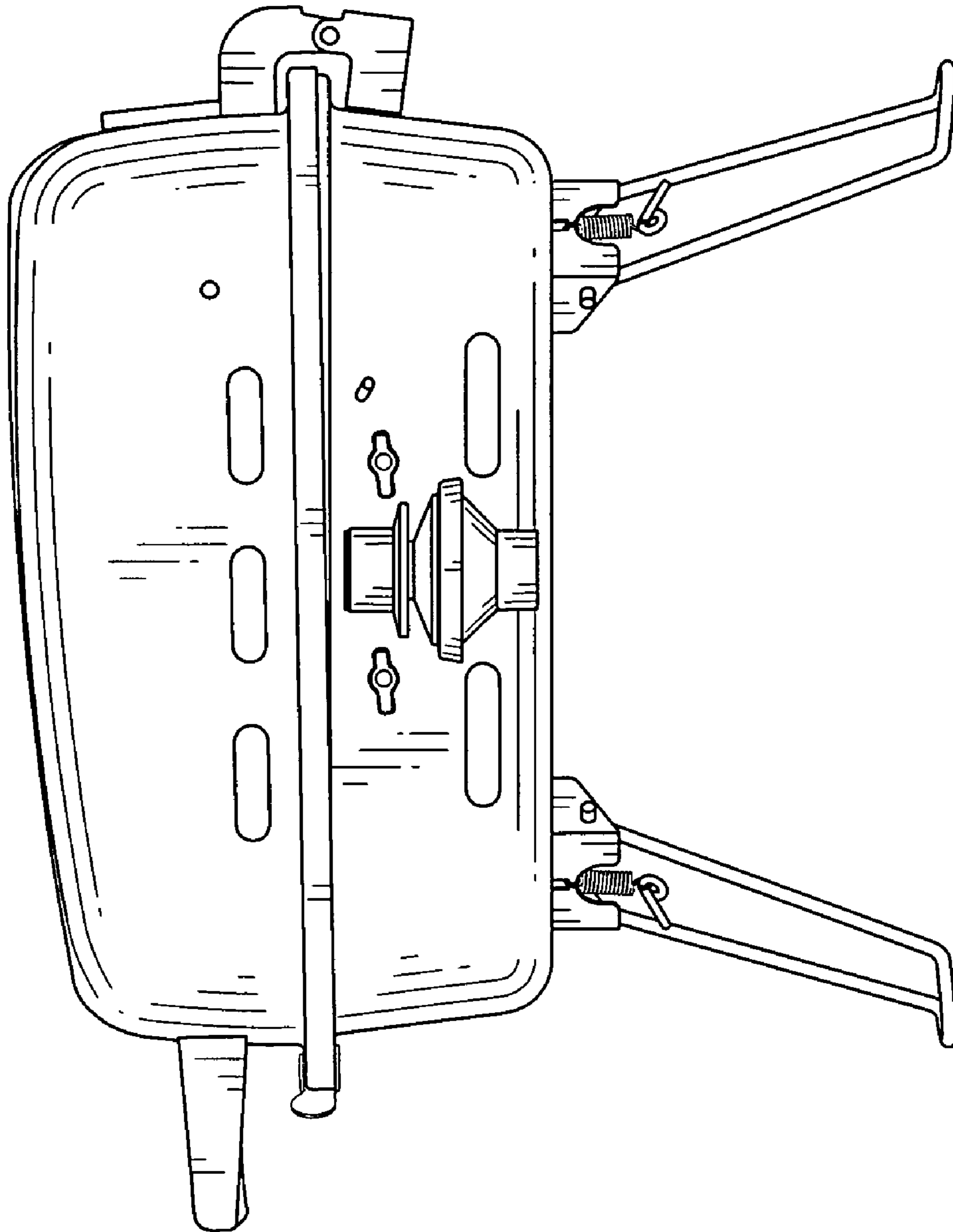


FIG. 5

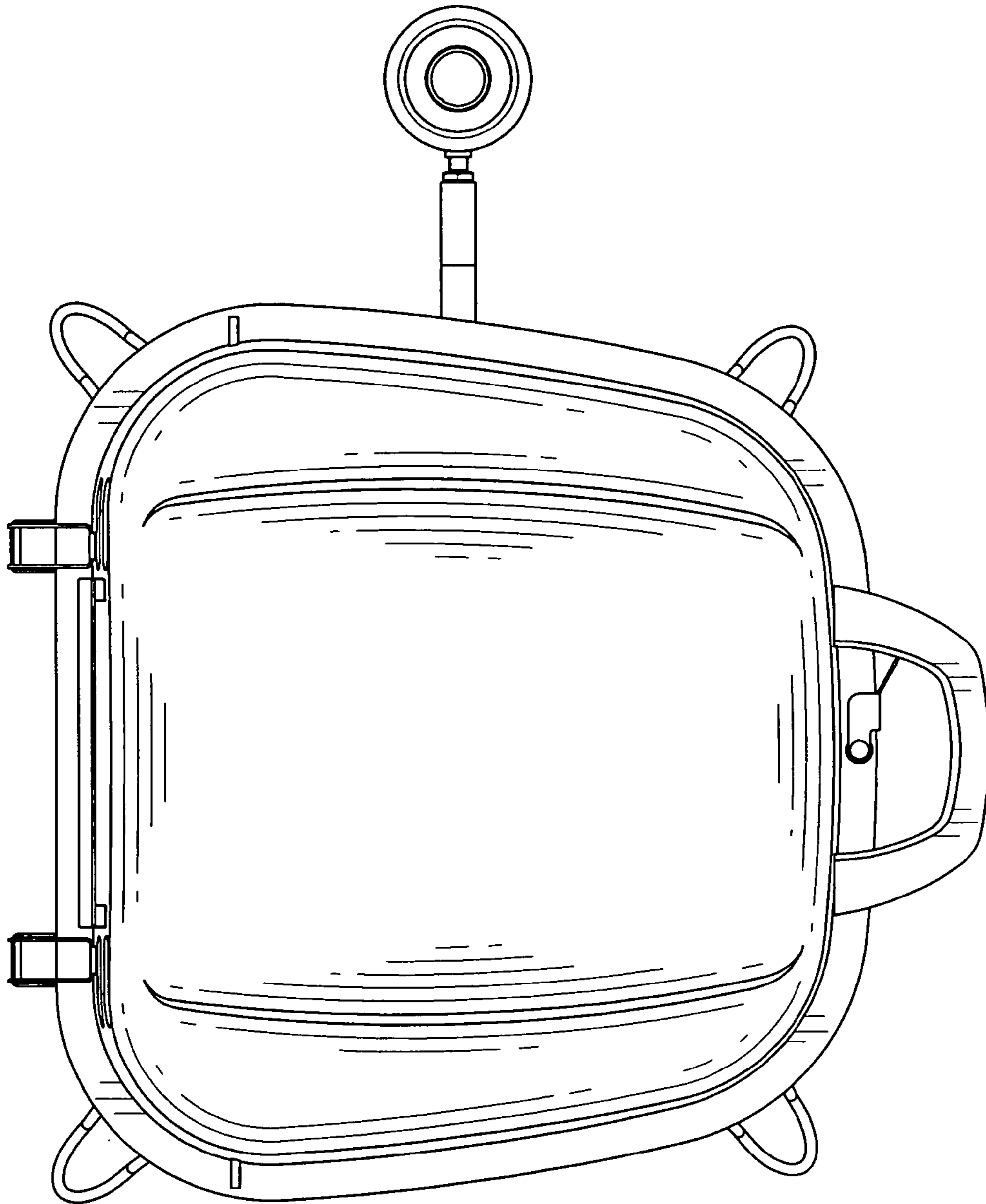


FIG. 6

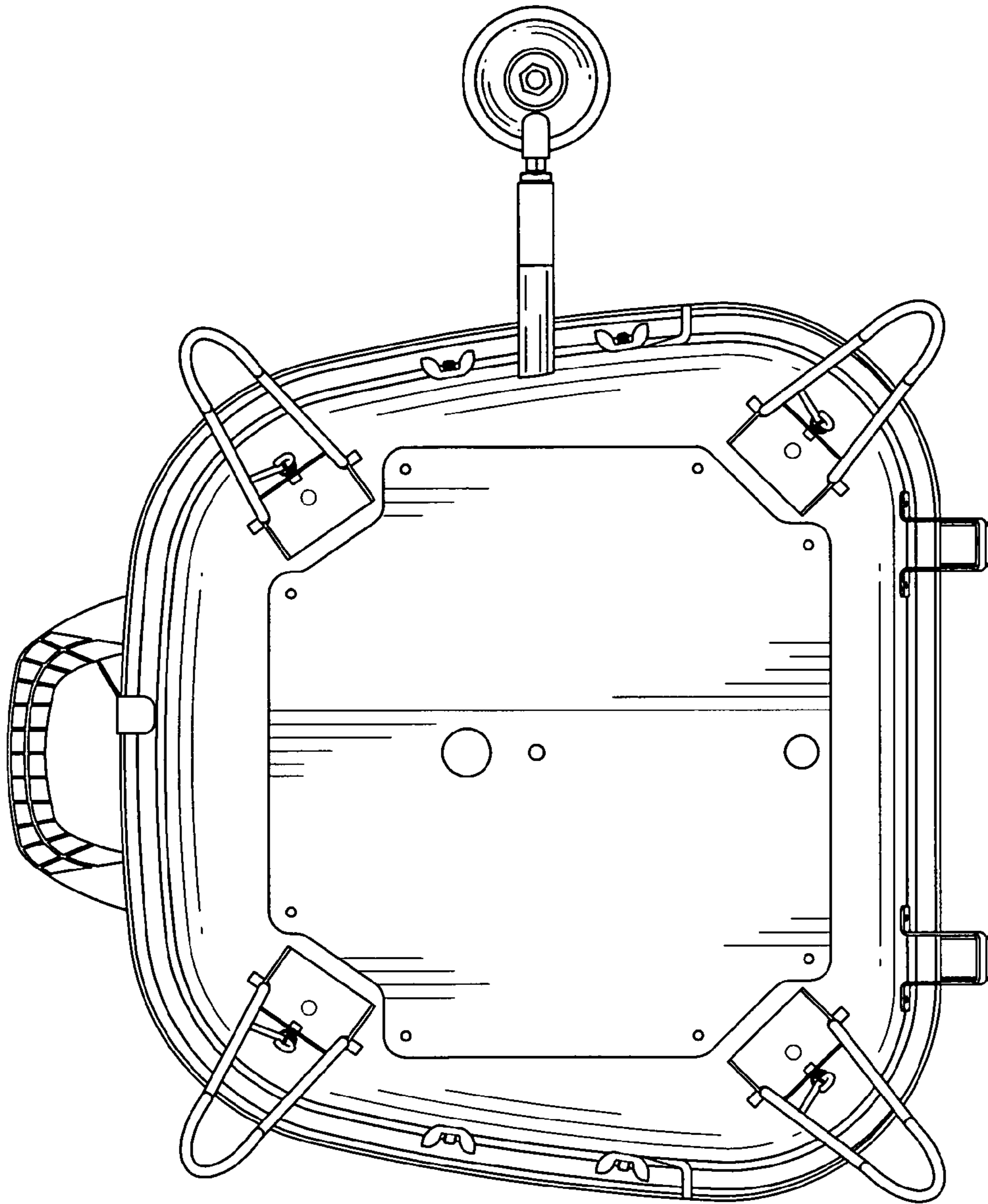


FIG. 7