

US00D864256S

(12) **United States Design Patent** (10) **Patent No.:** **US D864,256 S**  
**Eidson et al.** (45) **Date of Patent:** **\*\* Oct. 22, 2019**

(54) **ROBOTIC MOWER WHEELS**  
(71) Applicant: **HUSQVARNA AB**, Huskvarna (SE)  
(72) Inventors: **David Eidson**, Charlotte, NC (US);  
**Tiawaun Phillips**, Cheraw, SC (US)  
(73) Assignee: **HUSQVARNA AB**, Huskvarna (SE)  
(\*\*) Term: **15 Years**

D420,365 S 2/2000 Gunnar  
D445,080 S \* 7/2001 Bruns ..... D12/210  
D451,931 S 12/2001 Abramson et al.  
D466,962 S \* 12/2002 Chen ..... D21/779  
D480,436 S \* 10/2003 Hong ..... D21/423  
D504,901 S 5/2005 Wickström et al.  
D523,805 S \* 6/2006 Martin ..... D12/501  
D530,726 S \* 10/2006 Martin ..... D15/17  
D559,867 S 1/2008 Abramson  
D570,070 S \* 5/2008 Morris ..... D12/204  
D603,783 S \* 11/2009 Carlton ..... D12/501

(Continued)

(21) Appl. No.: **29/641,628**  
(22) Filed: **Mar. 23, 2018**  
(51) **LOC (12) Cl.** ..... **15-03**  
(52) **U.S. Cl.**  
USPC ..... **D15/17; D12/592**  
(58) **Field of Classification Search**  
USPC ..... D15/14, 17, 18; 56/11.9, 17.5, 13.4,  
56/12.8, 16.7, 202, 255, 294, 295, 320.1,  
56/320.2; 180/900, 89.1, 89.12;  
D12/501, 204, 206, 207, 208, 210, 605;  
D21/779  
CPC .... A01D 34/008; A01D 34/81; A01D 34/416;  
A01D 34/4166; A01D 34/4167; A01D  
34/87; A01D 34/90; B60L 1/003; B60L  
3/0061; B60L 11/1803; B60L 11/1805;  
B60L 11/1877; B60L 15/20; B60L  
2260/28; B60L 2200/40; B60L 2220/16;  
B60L 2220/46; B60L 2240/36; B60L  
2240/421; A01G 3/04; A01G 3/0435;  
B60B 3/001; B60B 3/004; B60B 5/02;  
B60B 5/00  
See application file for complete search history.

*Primary Examiner* — Mark A Goodwin  
(74) *Attorney, Agent, or Firm* — Burr & Forman LLP

(57) **CLAIM**

The ornamental design for the robotic mower wheels, as shown and described.

**DESCRIPTION**

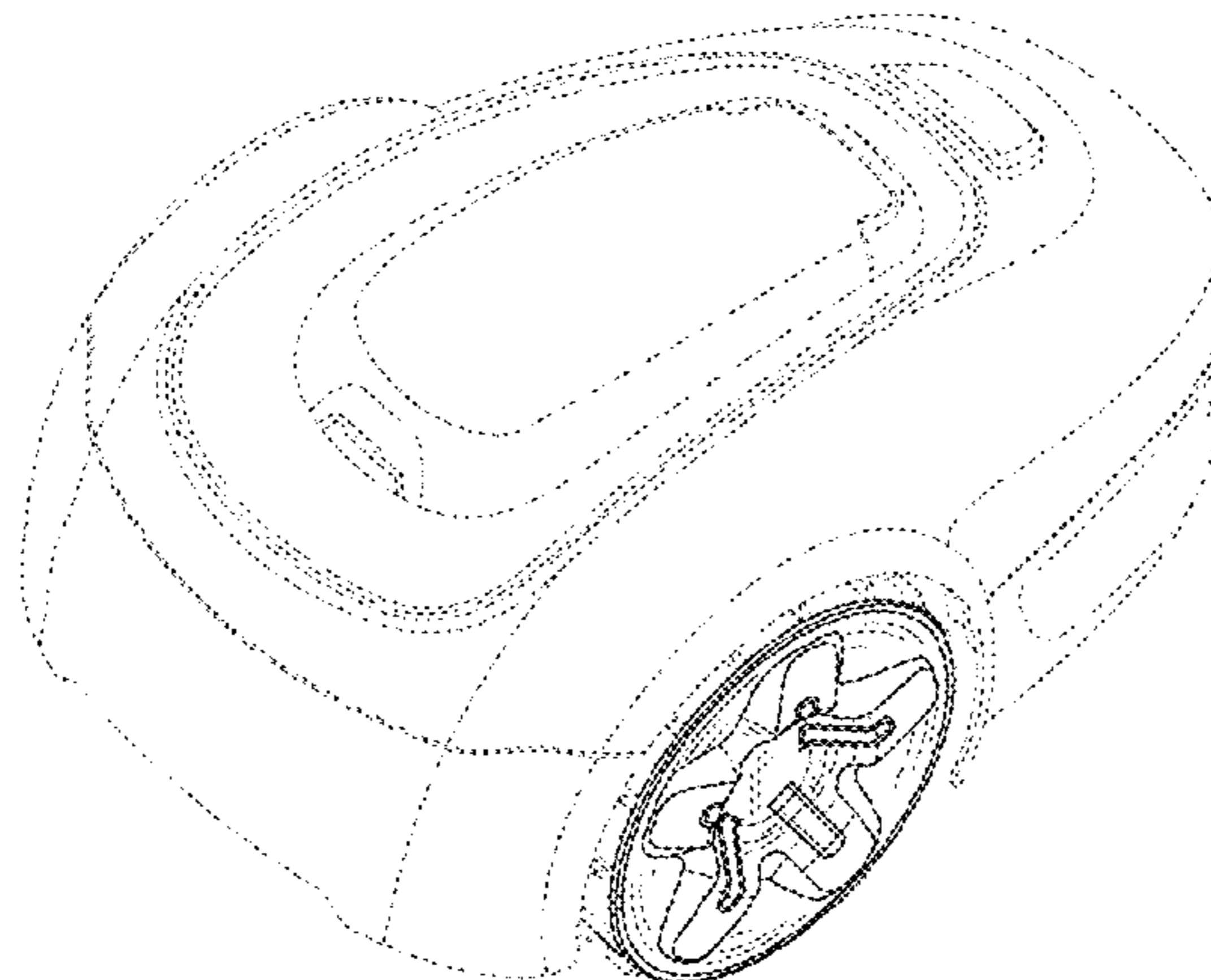
FIG. 1 is a perspective view of robotic mower wheels in accordance with an embodiment of the present invention; FIG. 2 is a rear view of the robotic mower wheels of FIG. 1; FIG. 3 is a front view of the robotic mower wheels of FIG. 1; FIG. 4 is a right side view of the robotic mower wheels of FIG. 1; FIG. 5 is a left side view of the robotic mower wheels of FIG. 1; FIG. 6 is a top view of the robotic mower wheels of FIG. 1; and, FIG. 7 is a bottom view of the robotic mower wheels of FIG. 1. The broken line showing of a robotic mower in FIGS. 1-7 is included for the purpose of illustrating environmental subject matter only and the broken line showing of the tread pattern on the wheels is included for illustrating portions of the robotic mower wheels and forms no part of the claimed design.

**1 Claim, 6 Drawing Sheets**

(56) **References Cited**

U.S. PATENT DOCUMENTS

D225,989 S \* 1/1973 Chadwick ..... D12/207  
D325,011 S \* 3/1992 Markling ..... D12/210  
D328,053 S \* 7/1992 Markling ..... D12/501  
D390,576 S \* 2/1998 Shimamura ..... D15/14  
D414,724 S \* 10/1999 Lu ..... D12/501



(56)

**References Cited**

U.S. PATENT DOCUMENTS

D652,431 S	1/2012	Näslund	
D656,163 S	3/2012	Johansson et al.	
D678,352 S	3/2013	Maeda et al.	
D679,294 S	4/2013	Tajik et al.	
D679,295 S	4/2013	Tajik et al.	
D681,065 S	4/2013	Maeda	
D688,276 S	8/2013	Näslund	
D714,351 S *	9/2014	Martin .....	D15/17
D718,339 S	11/2014	Damshak et al.	
D721,151 S *	1/2015	Piper .....	D21/779
D729,280 S	5/2015	Näslund et al.	
9,096,097 B2 *	8/2015	Trent, III .....	B65F 1/1473
D745,897 S	12/2015	Mehra et al.	
D781,926 S	3/2017	Al-Hashimi et al.	
D782,391 S *	3/2017	Schaedler .....	B60C 11/0311 D12/501
2014/0047812 A1 *	2/2014	Johansson .....	A01D 34/82 56/16.7
2016/0214435 A1 *	7/2016	Schaedler .....	B60C 11/0311

\* cited by examiner

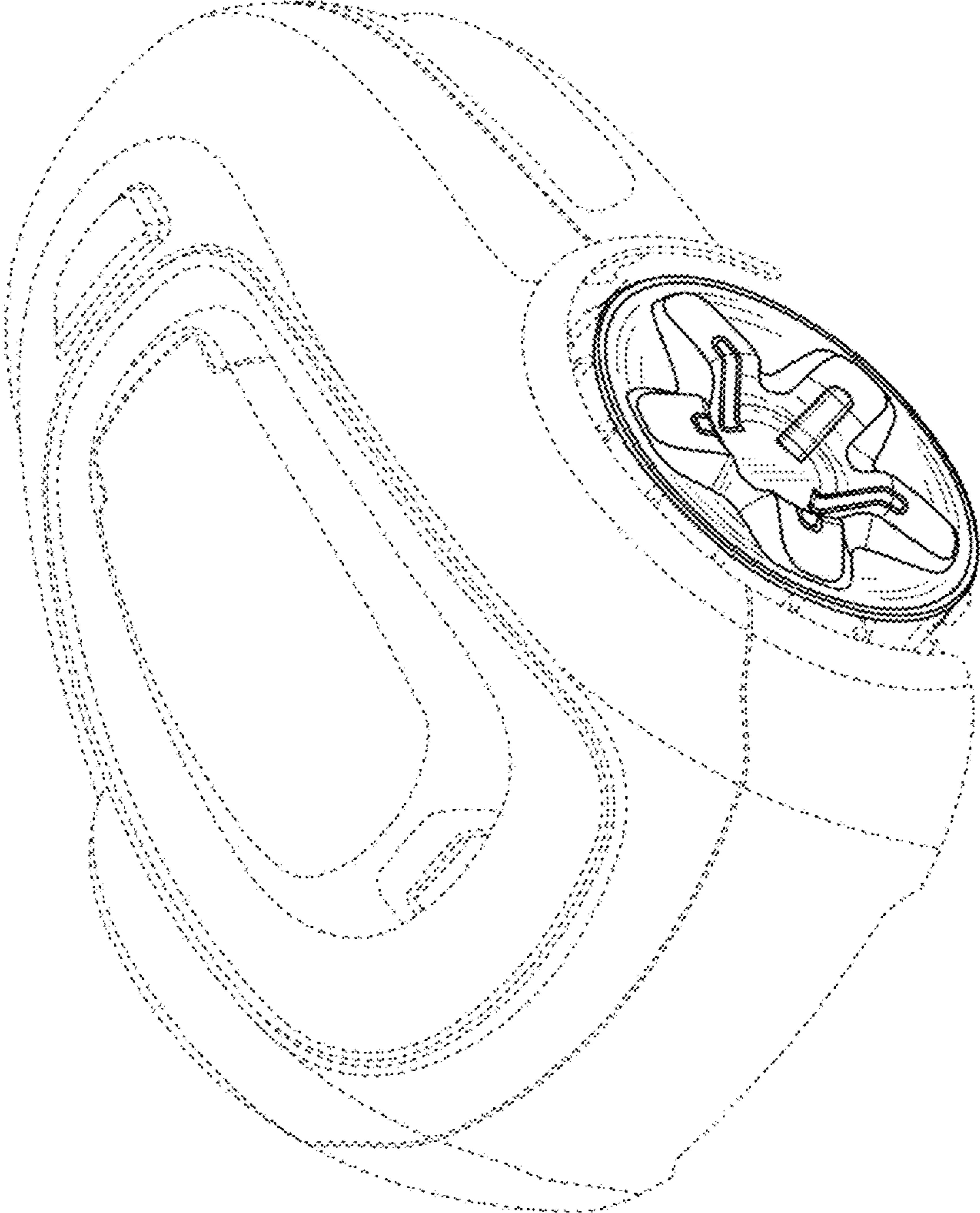


FIG. 1

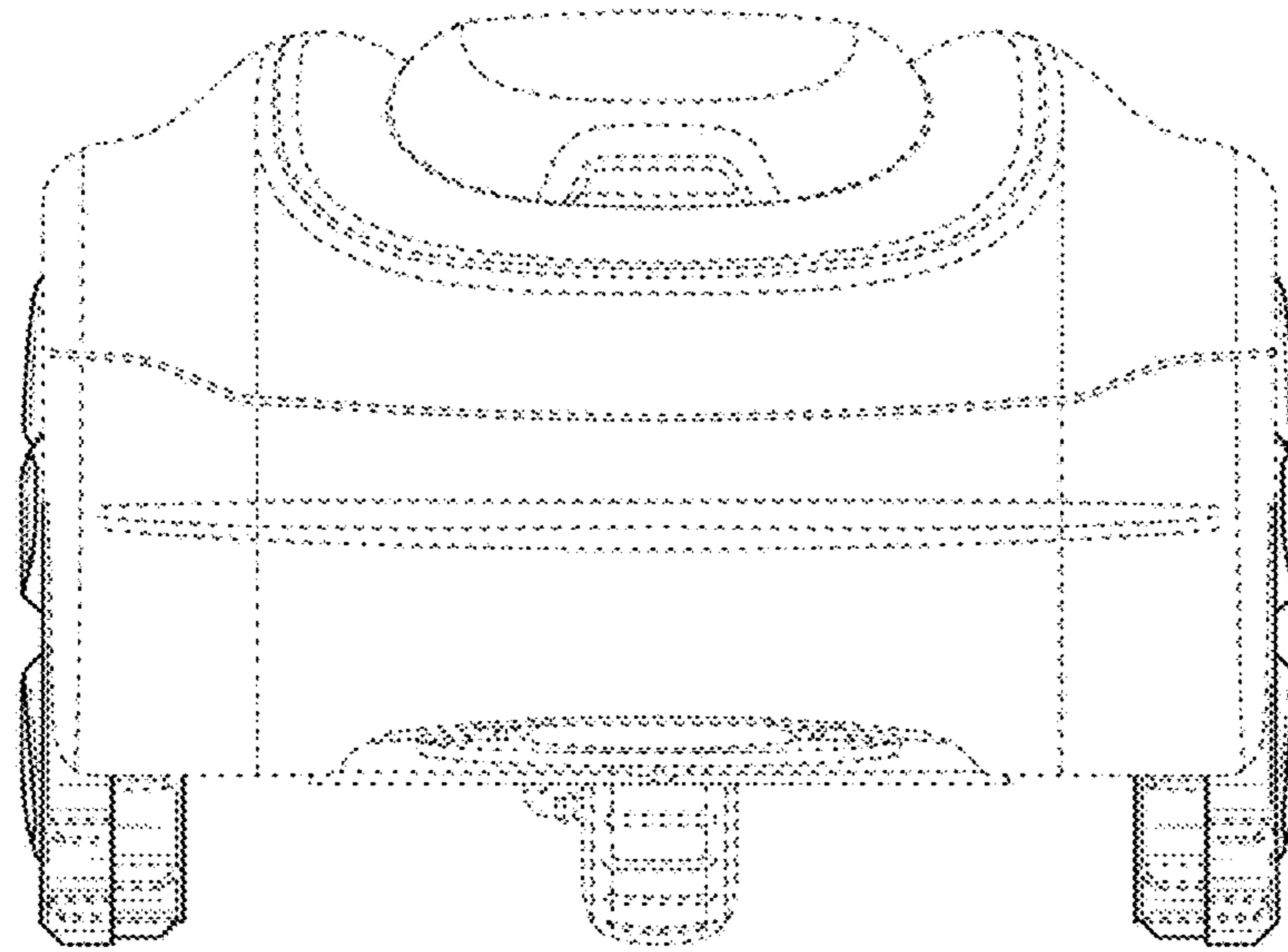


FIG. 2

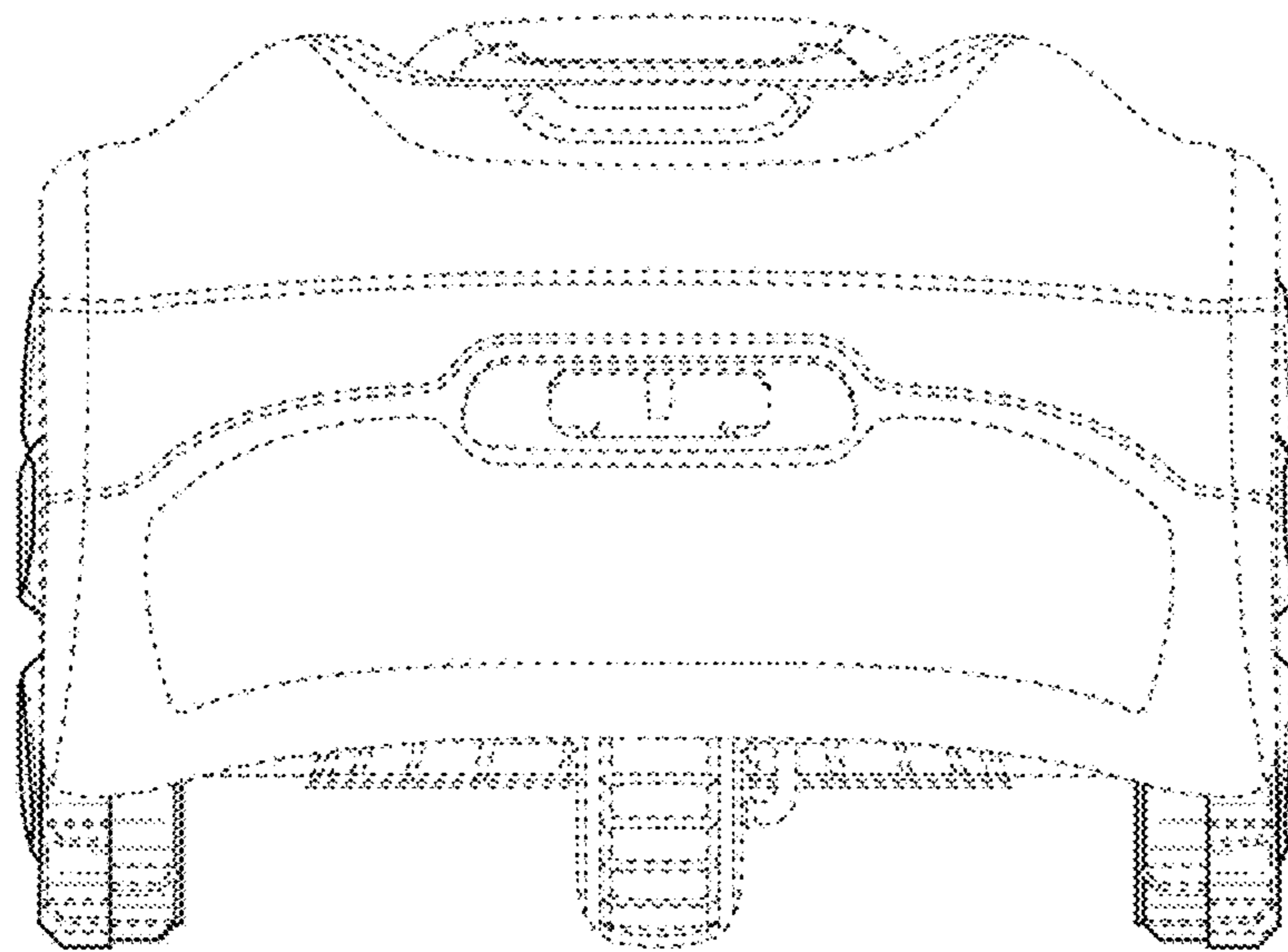


FIG. 3

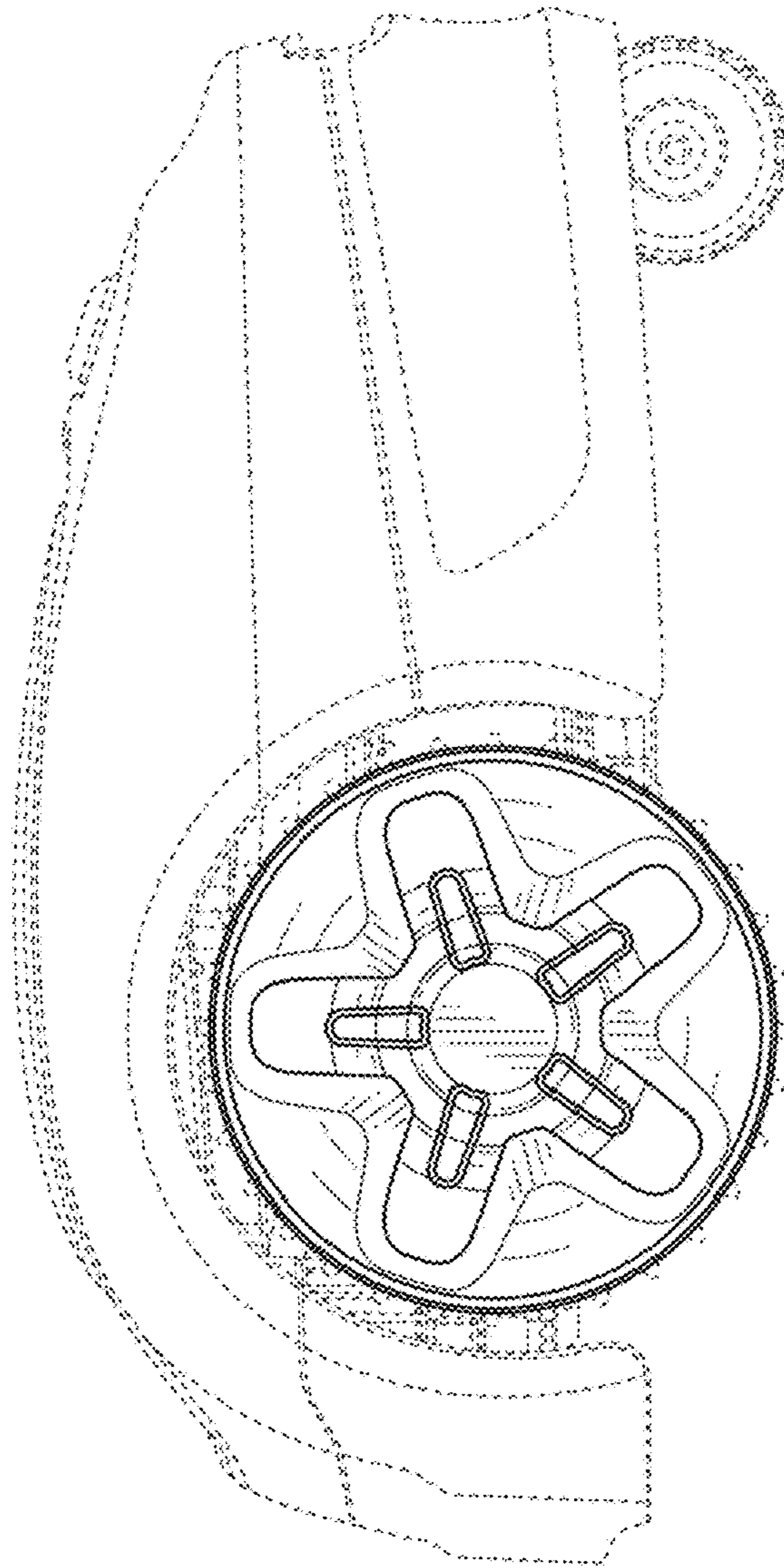


FIG. 4

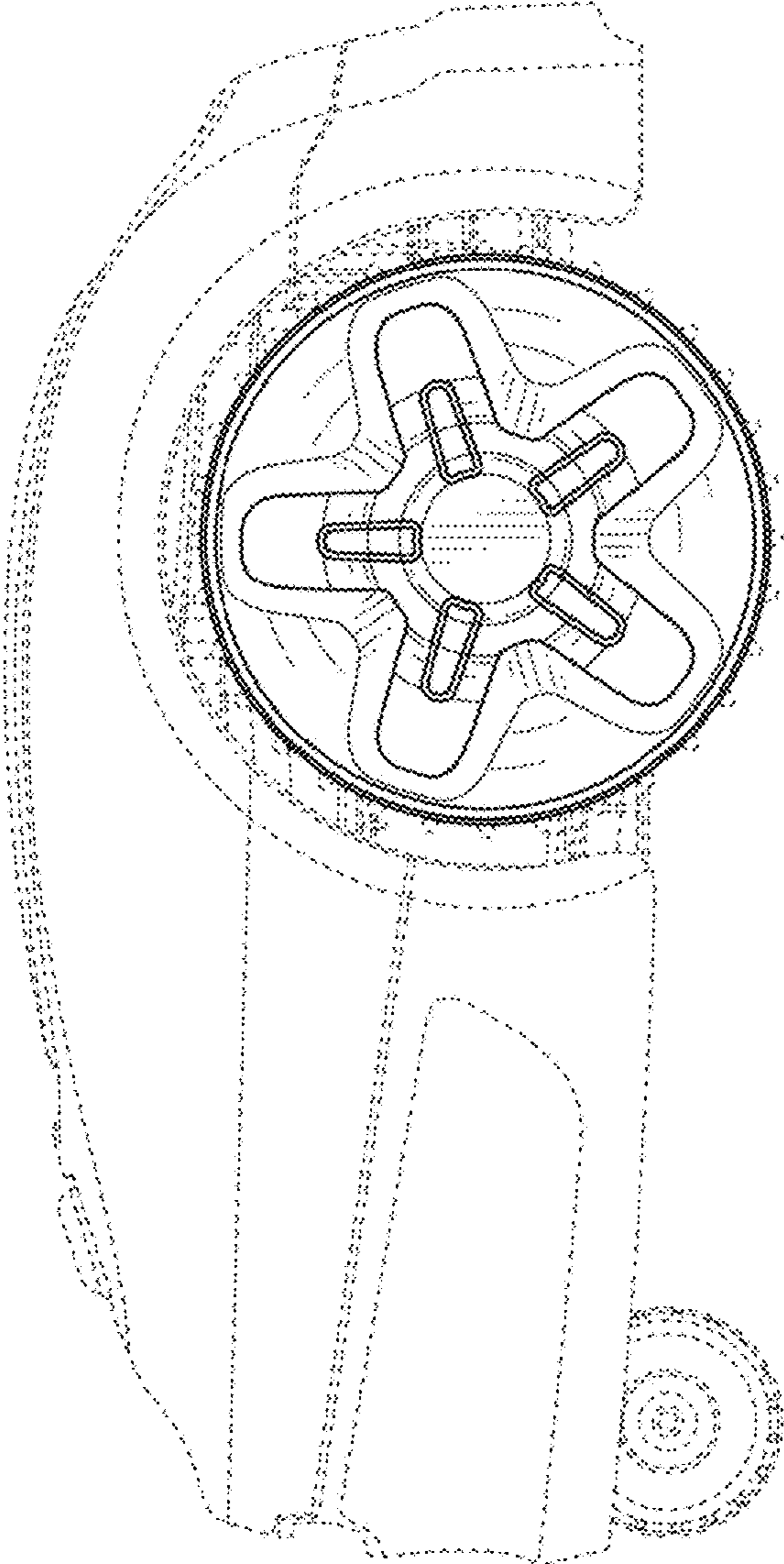


FIG. 5

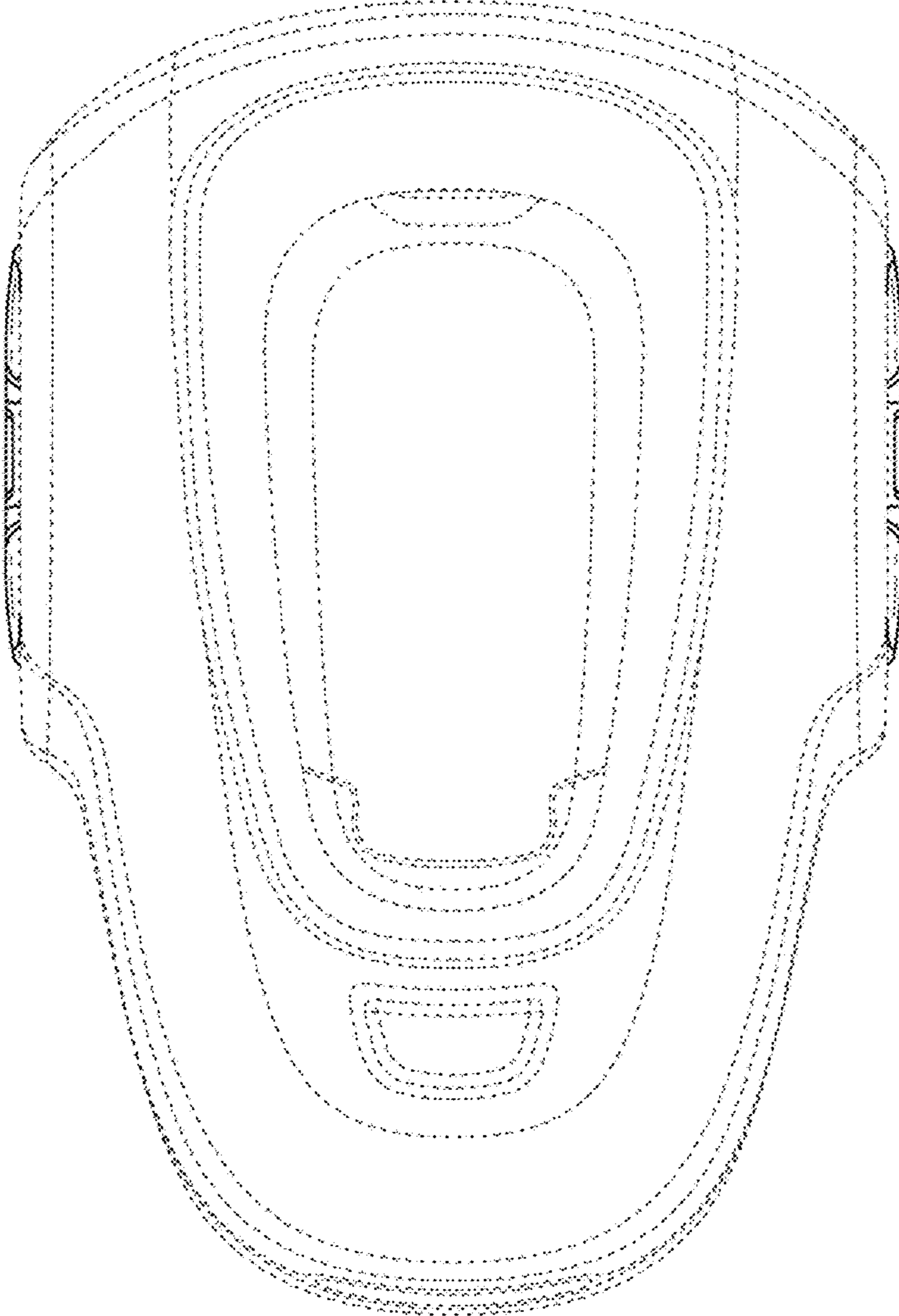


FIG. 6

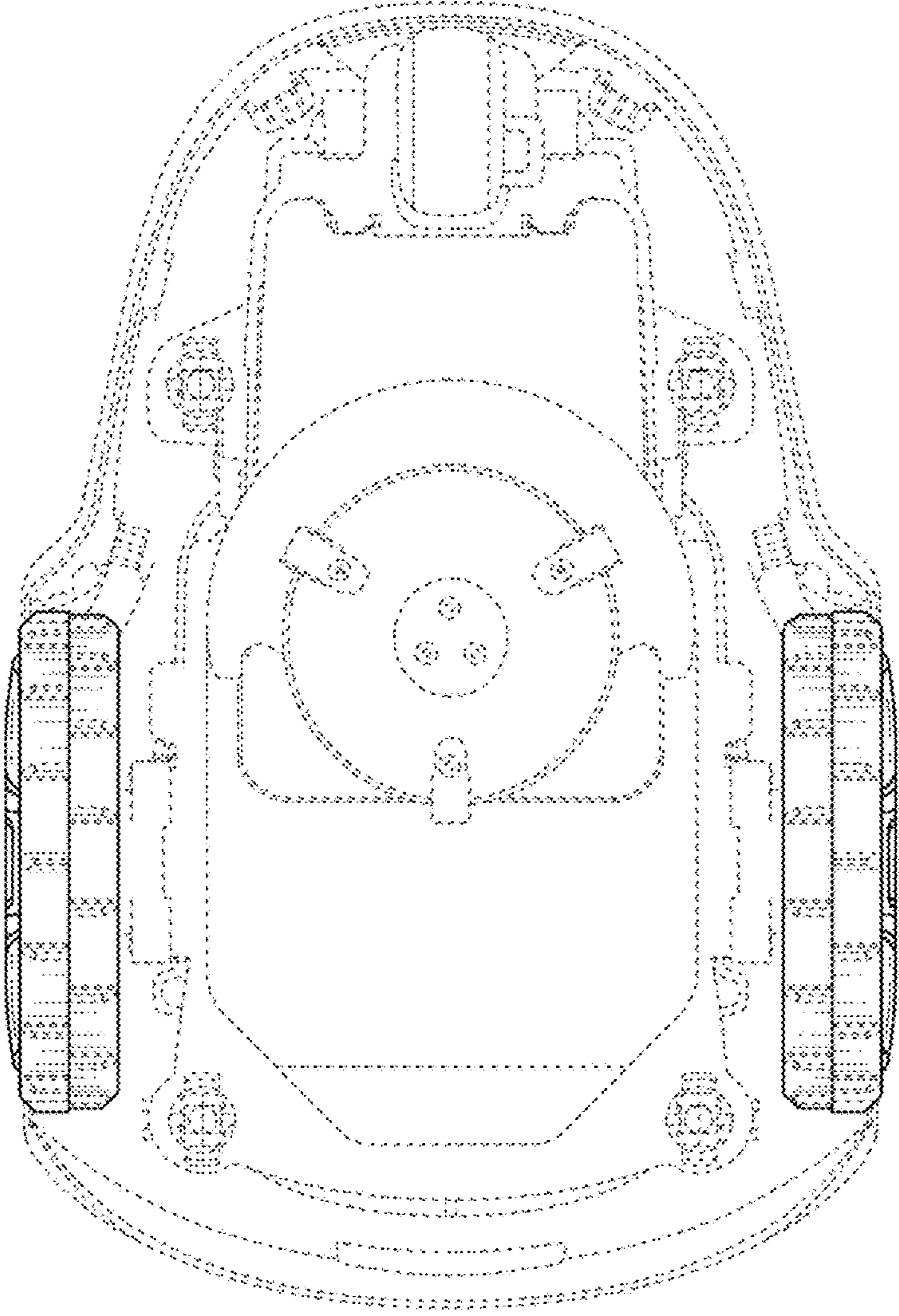


FIG. 7