

US00D864336S

(12) **United States Design Patent** (10) **Patent No.:** **US D864,336 S**
Šimek et al. (45) **Date of Patent:** **** Oct. 22, 2019**

(54) ASSAULT RIFLE	8,210,090 B2 * 7/2012 Brown F41A 29/00 89/193
(71) Applicant: Česká Zbrojovka a.s. , Uherský Brod (CZ)	D667,072 S * 9/2012 Kriegleder D22/103 8,453,365 B1 * 6/2013 Ballard F41C 23/14 42/71.01
(72) Inventors: Vladimír Šimek , Uherský Brod (CZ); Martin Šanda , Uherský Brod (CZ)	D709,581 S * 7/2014 Langevin D22/108 D733,223 S * 6/2015 Chu D21/573 9,664,476 B1 * 5/2017 Robinson F41C 23/04 9,664,478 B2 * 5/2017 Robinson F41C 23/04 9,664,479 B1 * 5/2017 Robinson F41C 23/14
(73) Assignee: Ceska Zbrojovka A.S. , Uhersky Brod (CZ)	D795,981 S * 8/2017 Martelli D22/103 D803,955 S * 11/2017 Martelli D21/573

(Continued)

(**) Term: **15 Years**

(21) Appl. No.: **29/644,348**

(22) Filed: **Apr. 17, 2018**

(30) **Foreign Application Priority Data**

Oct. 18, 2017 (EM) 004409852

(51) **LOC (12) Cl.** **22-01**

(52) **U.S. Cl.**
USPC **D22/103; D21/573**

(58) **Field of Classification Search**
USPC D22/100, 101, 102, 103, 104, 105, 106,
D22/107, 108, 109, 110, 111, 199;
D21/571, 573, 574, 575, 746
CPC F41C 23/14; F41C 23/20; F41C 23/04;
F41C 23/00; F41C 23/10; F41C 27/00;
F41C 7/00; F41C 23/06; F41C 3/00;
F41B 5/10; F41B 5/14; F41B 5/0094;
F41B 5/1469; F41B 5/00
See application file for complete search history.

(56) **References Cited**

U.S. PATENT DOCUMENTS

D606,614 S *	12/2009	Fitzpatrick	D22/103
7,797,873 B2 *	9/2010	Gering	F41G 1/34 42/105
D641,824 S *	7/2011	Gridelet	D22/103
D641,825 S *	7/2011	Gridelet	D22/103

OTHER PUBLICATIONS

“CZ introduces the BREN 2 BR battle rifle” [online]. Pierangelo Tendas. [Published on Sep. 19, 2018]. Retrieved from the Internet: <<https://www.gunsweek.com/en/rifles/news/cz-introduces-bren-2-br-battle-rifle>>.*

(Continued)

Primary Examiner — Khawaja Anwar
Assistant Examiner — Mojtaba Tehrani
(74) *Attorney, Agent, or Firm* — Hovey Williams LLP

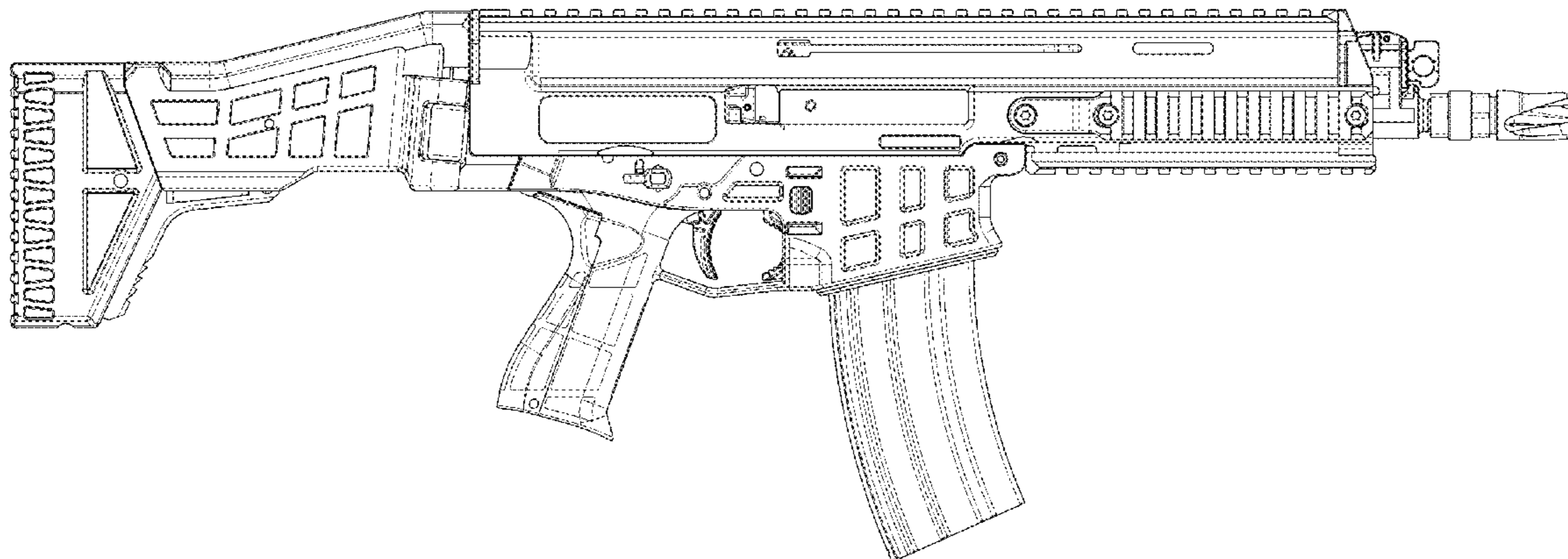
(57) **CLAIM**

The ornamental design for an assault rifle, as shown and described.

DESCRIPTION

FIG. 1 is a left side perspective view of an assault rifle, showing our new design;
FIG. 2 is a right side perspective view thereof;
FIG. 3 is a left side elevation view thereof;
FIG. 4 is a front elevation view thereof;
FIG. 5 is a right side elevation view thereof; and,
FIG. 6 is a top plan view thereof.
The broken lines within the drawings disclose unclaimed portions of the assault rifle and form no part of the claimed design.

1 Claim, 6 Drawing Sheets



(56)

References Cited

U.S. PATENT DOCUMENTS

D808,486	S *	1/2018	Kafka	D22/103
D819,765	S *	6/2018	Kafka	D22/103
10,054,379	B2 *	8/2018	Lammers	F41A 5/26
10,088,268	B2 *	10/2018	Hewes	F41C 23/14
2008/0168695	A1 *	7/2008	Nakayama	F41A 21/481
					42/75.02
2010/0186582	A1 *	7/2010	Juarez	F41A 5/28
					89/191.01
2013/0061737	A1 *	3/2013	Brown	F41A 3/72
					89/1.4
2015/0176945	A1 *	6/2015	Simek	F41A 3/64
					42/75.03
2016/0084612	A1 *	3/2016	Robinson	F41C 23/04
					42/73

OTHER PUBLICATIONS

“Bushmaster Releases Factory SBR ACR” [online]. Pete. [Published on Mar. 7, 2017]. Retrieved from the Internet: <<https://www.thefirearmblog.com/blog/2017/03/07/bushmaster-sbr-acr/>>.*

“Rifle Review: FN Herstal Scar 16S FDE—A Rifle for the Civilian Operator”. [online]. Hugh Nguyen. [Published on Feb. 12, 2015]. Retrieved from the Internet: <<https://www.omahaoutdoors.com/blog/fn-herstal-scar-16s-fde-rifle-civilian-operator-rifle-review/>>.*

* cited by examiner

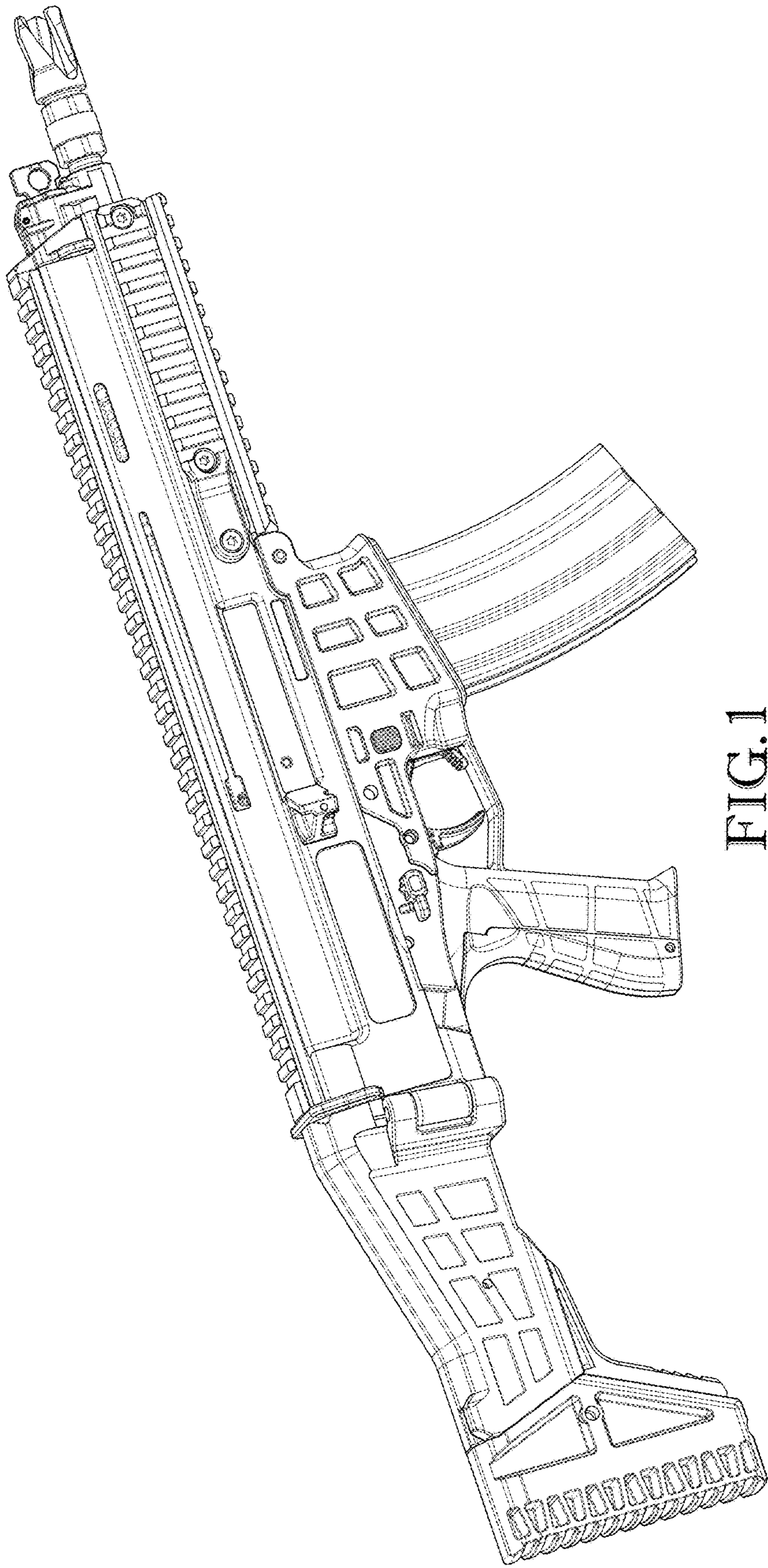


FIG. 1

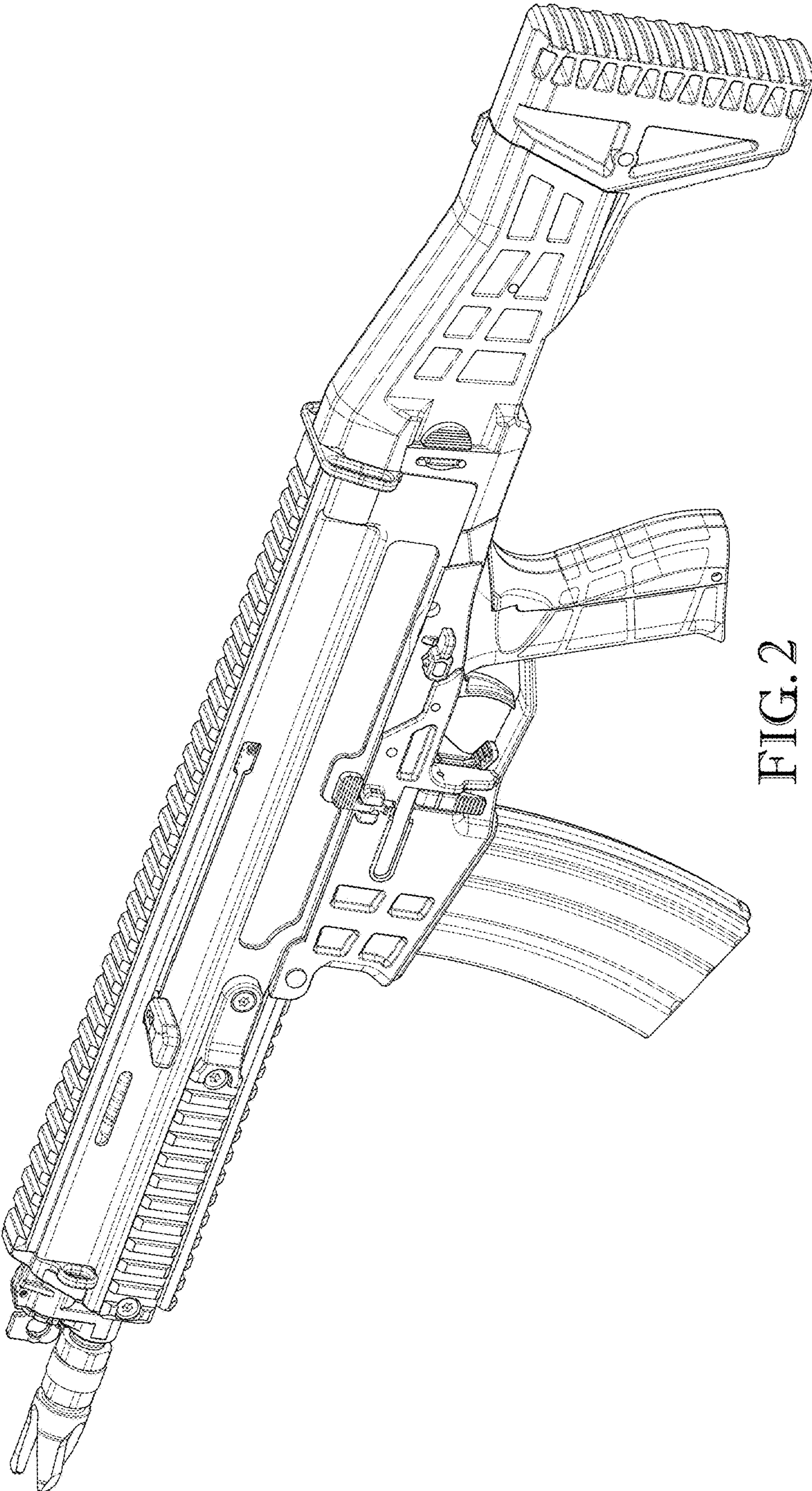


FIG. 2

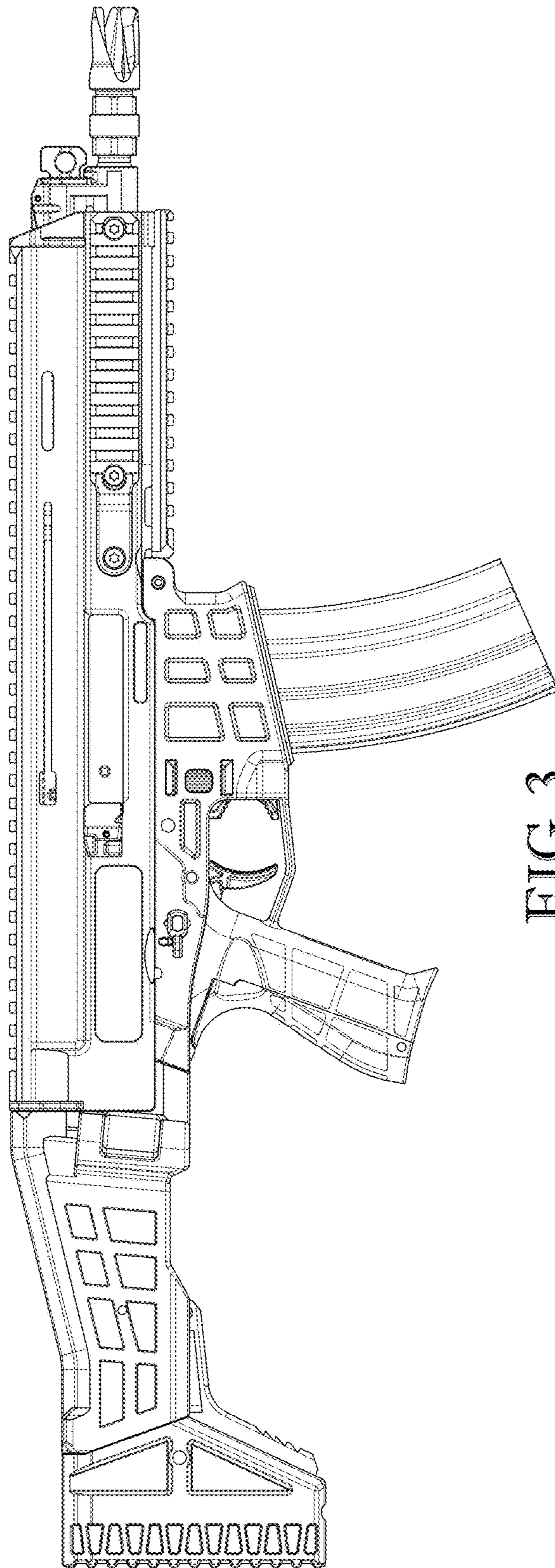


FIG. 3

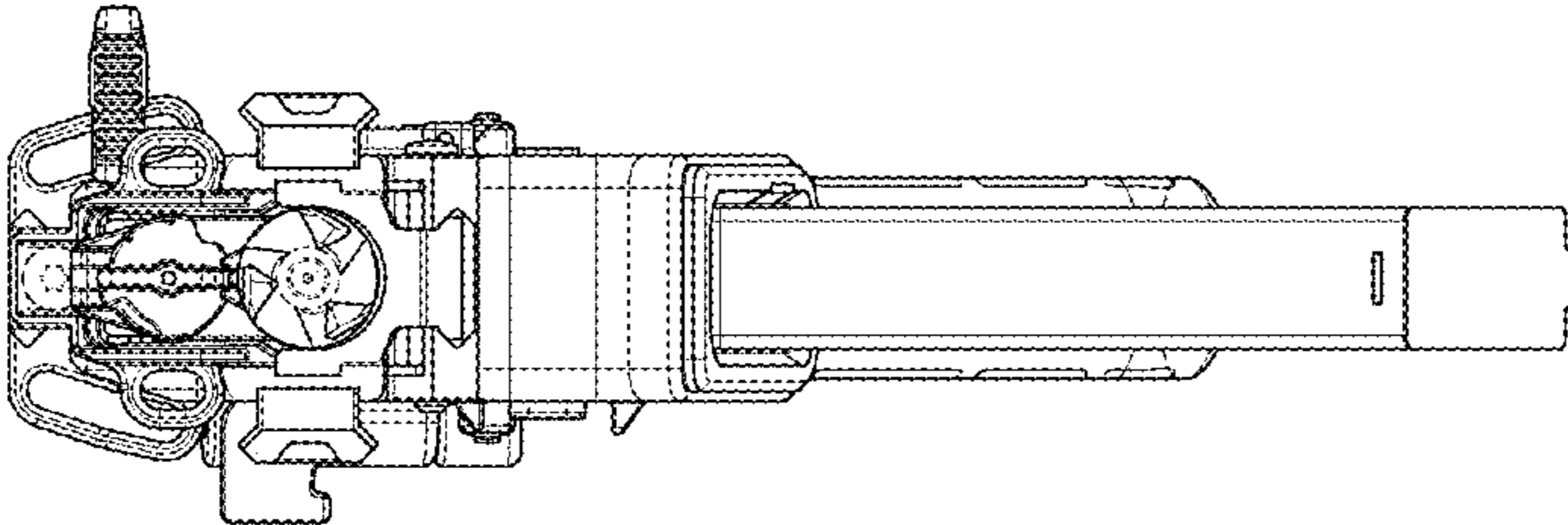


FIG. 4

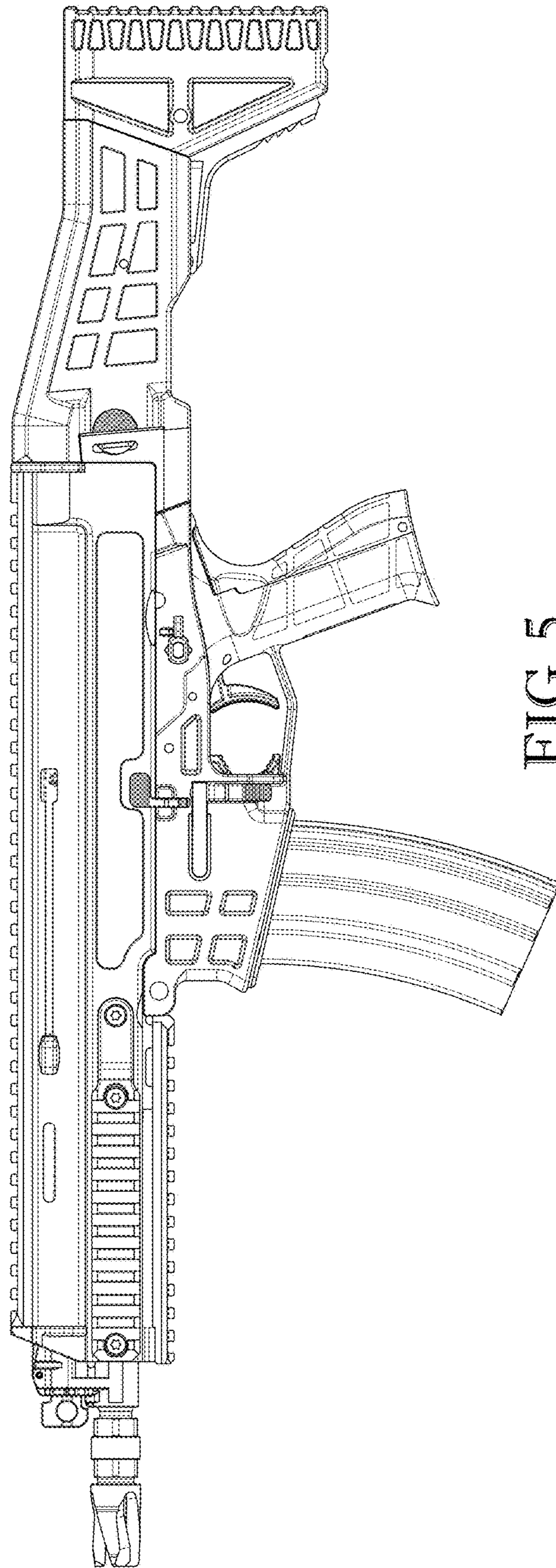


FIG. 5

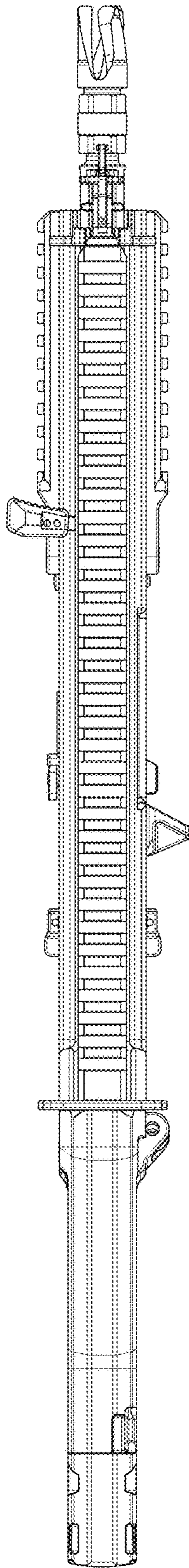


FIG. 6