



US00D490489S

(12) **United States Design Patent**  
**Madore**

(10) **Patent No.:** **US D490,489 S**

(45) **Date of Patent:** **\*\* May 25, 2004**

(54) **PORTION OF A GOLF CLUB HEAD**

(75) Inventor: **Carl L. Madore**, Portland, OR (US)

(73) Assignee: **Nike, Inc.**, Beaverton, OR (US)

(\*\*) Term: **14 Years**

(21) Appl. No.: **29/180,517**

(22) Filed: **Apr. 25, 2003**

6,106,410 A	8/2000	Glod et al.	
6,168,536 B1	1/2001	Lovett	
D442,244 S	5/2001	Olsavsky et al.	
D453,203 S	1/2002	Madore et al.	
D461,215 S	8/2002	Madore	
D461,513 S	8/2002	Madore et al.	
D461,862 S	8/2002	Madore et al.	
6,482,104 B1	11/2002	Gilbert	
D481,091 S	* 10/2003	Antonious	..... D21/752
D482,421 S	* 11/2003	Kessler	..... D21/759

**Related U.S. Application Data**

(60) Division of application No. 29/174,527, filed on Jan. 22, 2003, which is a continuation-in-part of application No. 29/167,540, filed on Sep. 18, 2002, now Pat. No. Des. 475,107, and a continuation-in-part of application No. 29/167,578, filed on Sep. 18, 2002, now Pat. No. Des. 475,428, and a continuation-in-part of application No. 29/167,580, filed on Sep. 18, 2002, now Pat. No. Des. 475,108.

(51) **LOC (7) Cl.** ..... **21-02**

(52) **U.S. Cl.** ..... **D21/759**

(58) **Field of Search** ..... D21/733, 752,  
D21/759; 473/324-331, 345, 346

(56) **References Cited**

**U.S. PATENT DOCUMENTS**

1,868,286 A	7/1932	Grieve	
5,240,252 A	8/1993	Schmidt et al.	
5,257,786 A	* 11/1993	Gorman	..... 473/349
5,271,620 A	12/1993	Moriguchi et al.	
5,354,054 A	10/1994	Akatsuka et al.	
D355,686 S	* 2/1995	Hlinka	..... D21/752
D360,009 S	* 7/1995	Grace	..... D21/736
D364,204 S	11/1995	Lin	
5,465,970 A	11/1995	Adams et al.	
D369,392 S	4/1996	Adams et al.	
5,779,565 A	7/1998	Adams	
5,785,609 A	7/1998	Sheets et al.	
5,931,745 A	8/1999	Adams	
5,971,866 A	10/1999	Adams et al.	
6,074,310 A	6/2000	Ota	

**OTHER PUBLICATIONS**

Edwin Watts Golf Catalog Late Summer 1998 pp. 8, S4, and 39, dated Late Summer 1998.

Edwin Watts Golf Shops Spring 2000 p. 35, dated Spring 2000.

Edwin Watts Golf Holiday 2000 pp. 27, 29, 35, 42 and 46, dated Holiday 2000.

Goldsmith Club Making Catalog 2001 p. 12, dated 2001.

Edwin Watts Golf Holiday 2001 p. 11, dated Holiday 2001.

Edwin Watts Golf Spring 2002 p. 18, dated Spring 2002.

\* cited by examiner

*Primary Examiner*—Mitchell Siegel

(74) *Attorney, Agent, or Firm*—Banner & Witcoff, Ltd.

(57) **CLAIM**

The ornamental design for a portion of a golf club head, as shown and described.

**DESCRIPTION**

FIG. 1 is a perspective view of a portion of a golf club head showing my new design;

FIG. 2 is a heel side view thereof;

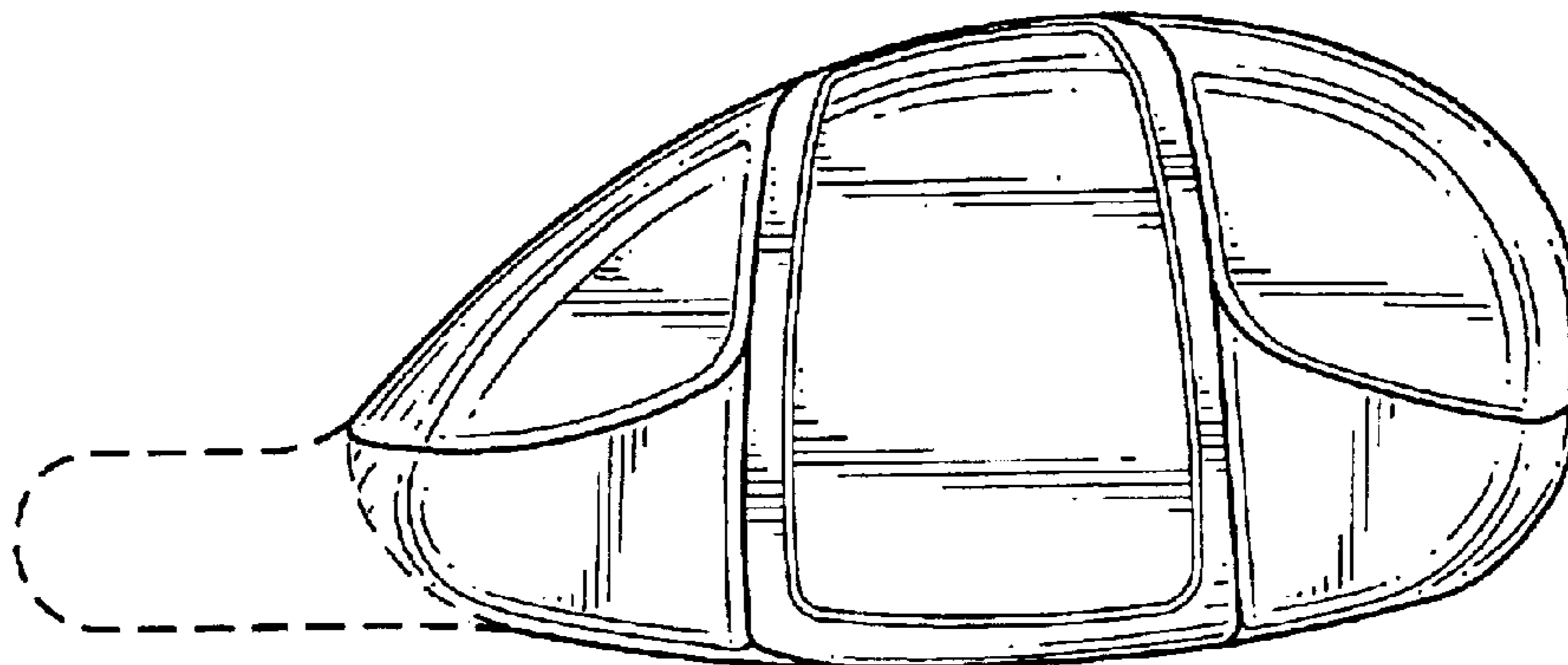
FIG. 3 is a toe side view thereof;

FIG. 4 is a rear view thereof; and,

FIG. 5 is a plan view thereof.

The broken line showing of the remainder of the club head is for illustrative purposes only and forms no part of the claimed design.

**1 Claim, 4 Drawing Sheets**



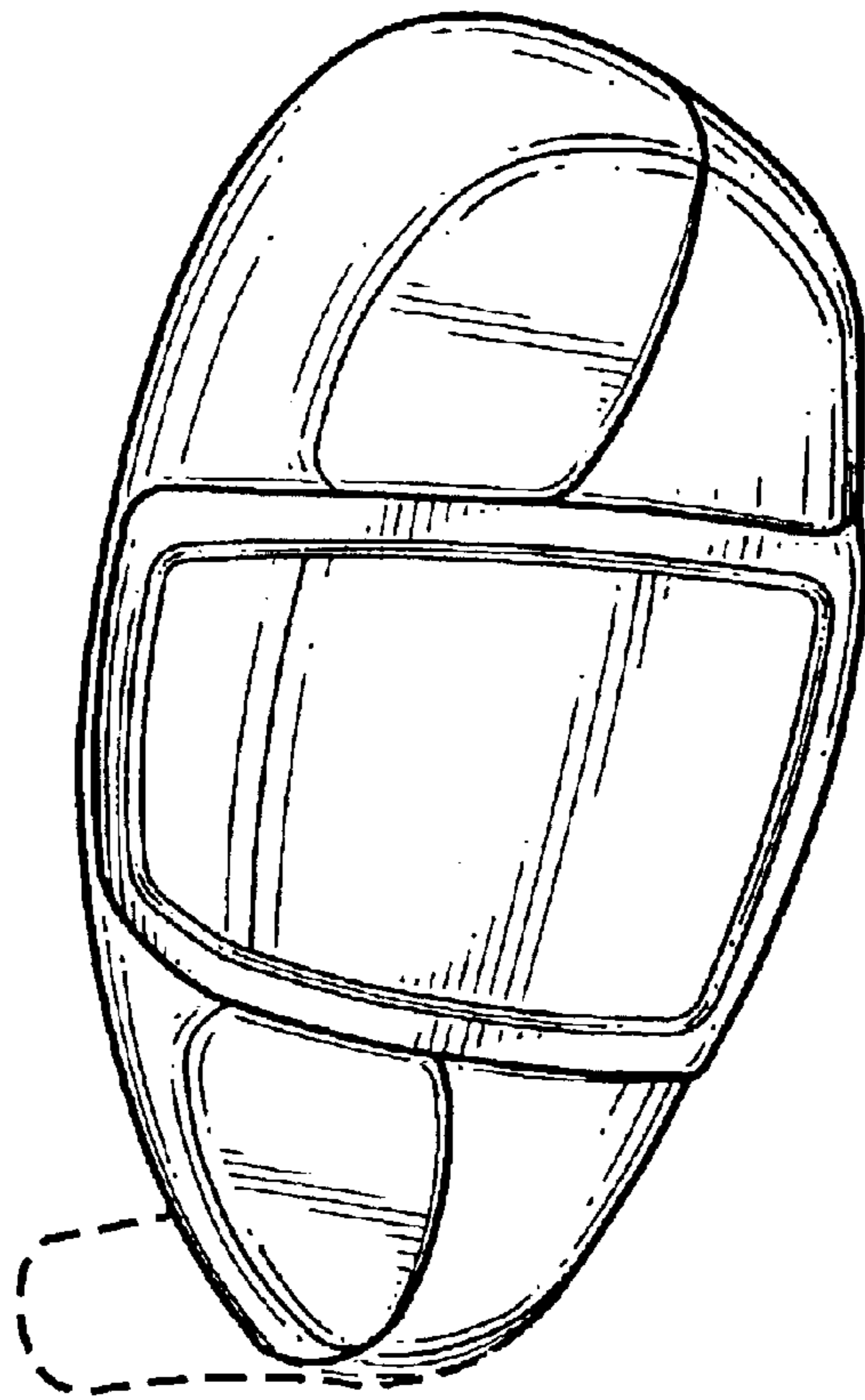
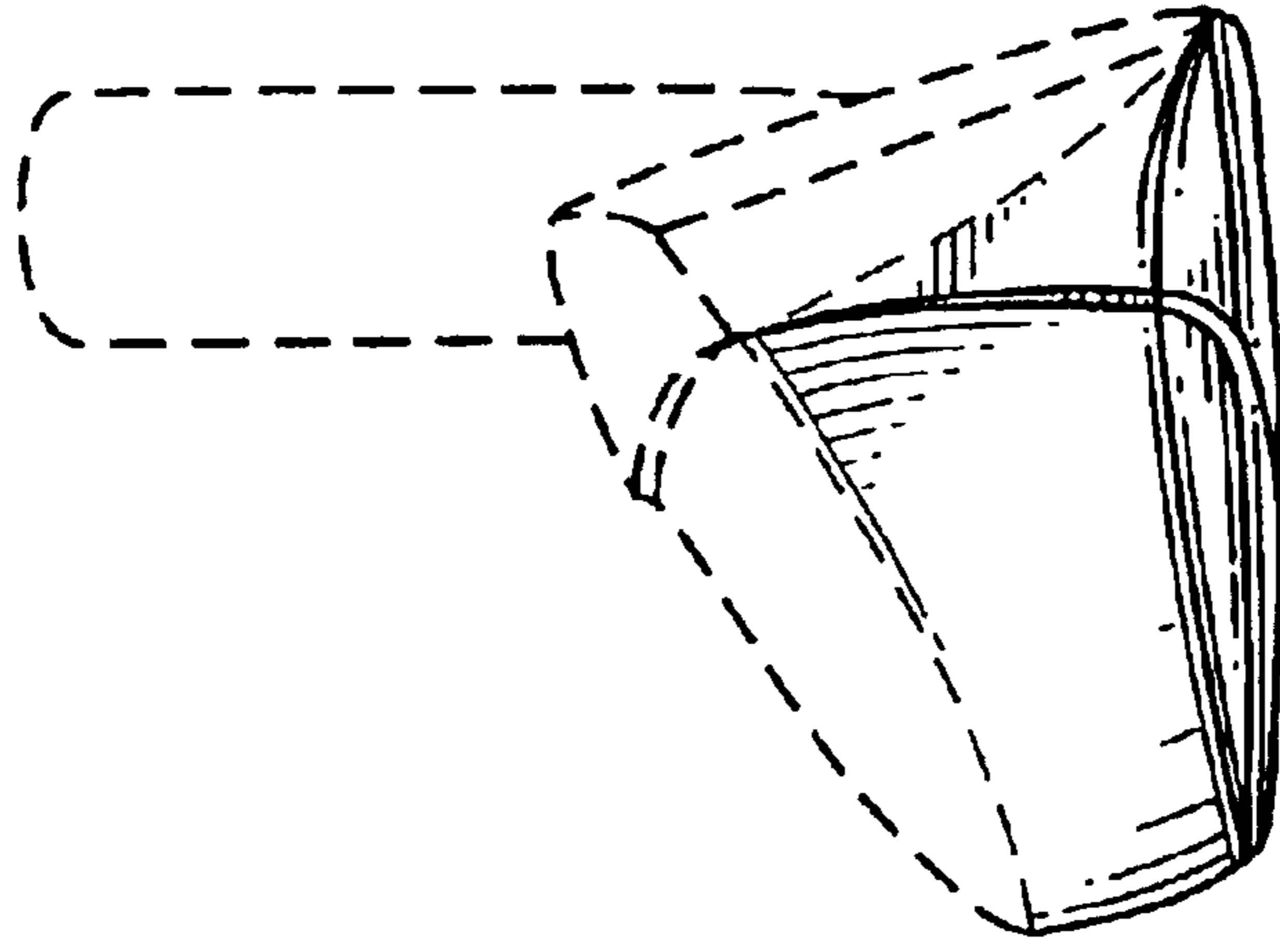
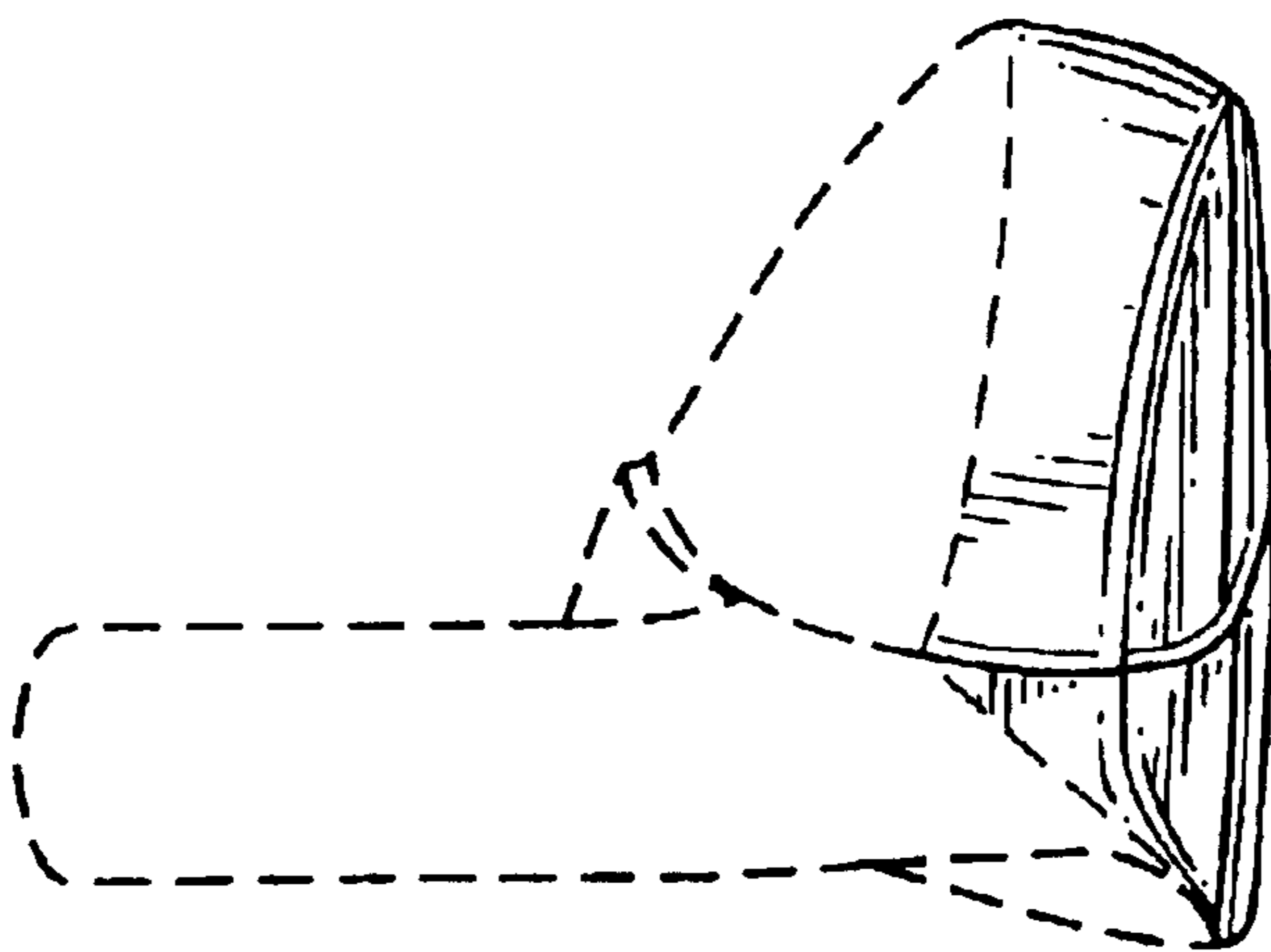


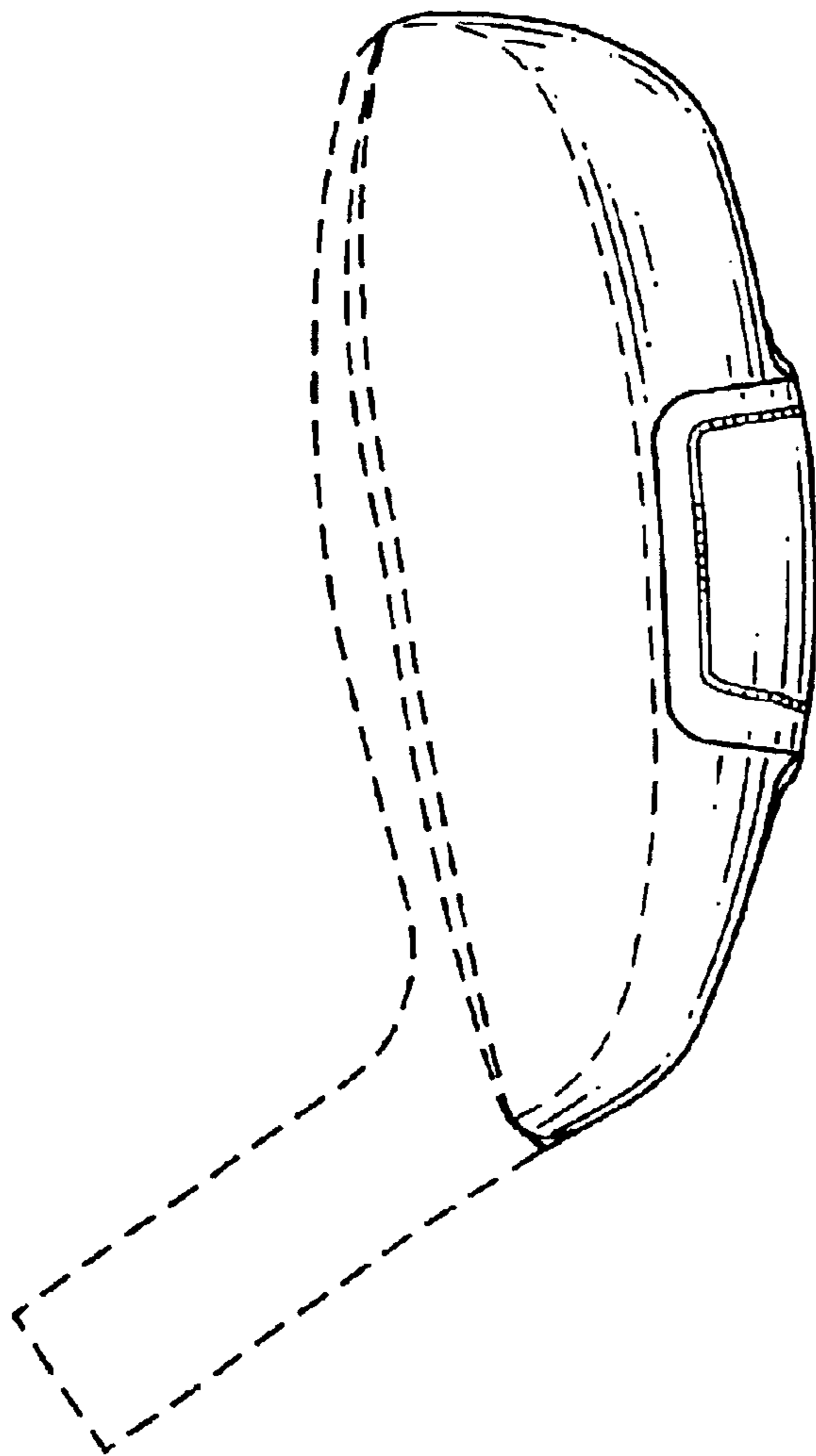
FIG. 1



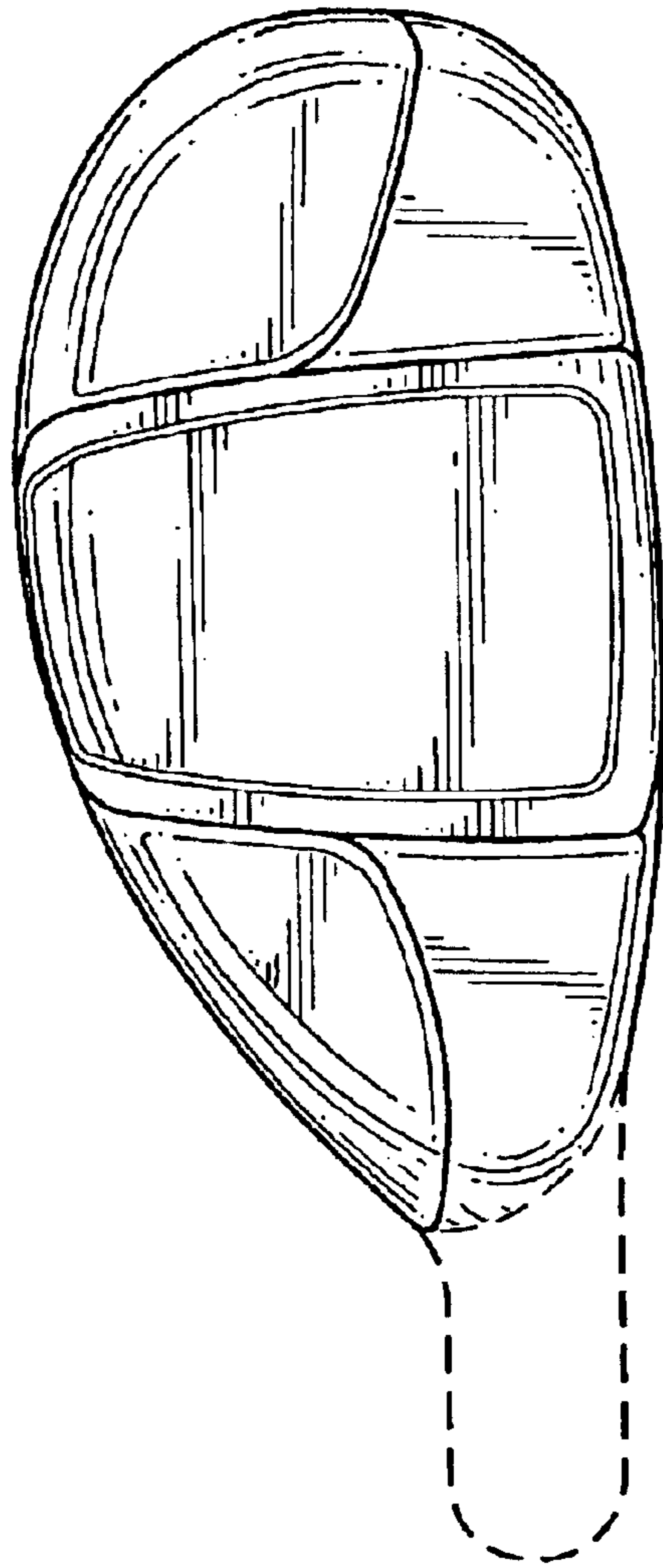
**FIG.3**



**FIG.2**



**FIG.4**



**FIG.5**