

US00D864262S

(12) **United States Design Patent** (10) **Patent No.:** **US D864,262 S**
Noorazar et al. (45) **Date of Patent:** **** Oct. 22, 2019**

(54) **THREE-DIMENSIONAL (3D) PRINTING SYSTEM AND ASSOCIATED PEN**

FOREIGN PATENT DOCUMENTS

CN 204322532 5/2015

(71) Applicant: **INNOSUN LLC**, San Diego, CA (US)

OTHER PUBLICATIONS

(72) Inventors: **Sina Noorazar**, San Diego, CA (US);
Aria Noorazar, San Diego, CA (US)

International Search Report and Written Opinion for International Application No. PCT/US2018/027171, dated Aug. 21, 2018 (11 pages).

(73) Assignee: **INNOSUN LLC**, San Diego, CA (US)

Primary Examiner — Patricia A Palasik

(**) Term: **15 Years**

(74) *Attorney, Agent, or Firm* — Perkins Coie LLP

(21) Appl. No.: **29/645,250**

(57) **CLAIM**

(22) Filed: **Apr. 24, 2018**

The ornamental design for a three-dimensional (3d) printing system and associated pen, as shown and described.

(51) **LOC (12) Cl.** **15-09**

(52) **U.S. Cl.**
USPC **D15/122**

(58) **Field of Classification Search**
USPC D18/6-7, 14, 19, 50, 54.1, 54, 55, 59;
D15/122, 135, 138
CPC B29C 41/12; B29C 41/36; B29C 67/0081;
B41J 2/155; B41J 2/17513; B41J
2/17556; B41J 2/17596; B41J 2/16552;
B41J 2/16541; B41J 2002/20; B41J
2002/14475; B22F 3/008; B29K
2995/0021

DESCRIPTION

See application file for complete search history.

FIG. 1 is an isometric view of the three-dimensional (3d) printing system and associated pen;
FIG. 2 is another isometric view of the three-dimensional (3d) printing system and associated pen of FIG. 1, showing an alternate position of the associated pen;
FIG. 3 is a front elevational view of the three-dimensional (3d) printing system and associated pen of FIG. 1;
FIG. 4 is a back elevational view of the three-dimensional (3d) printing system and associated pen of FIG. 1;
FIG. 5 is a left side elevational view of the three-dimensional (3d) printing system and associated pen of FIG. 1;
FIG. 6 is a right side elevational view of the three-dimensional (3d) printing system and associated pen of FIG. 1;
FIG. 7 is a top plan view of the three-dimensional (3d) printing system and associated pen of FIG. 1; and,
FIG. 8 is a bottom plan view of the three-dimensional (3d) printing system and associated pen of FIG. 1.
The broken-line disclosure represents portions of the three-dimensional (3d) printing system and associated pen, which form no part of the claimed design.

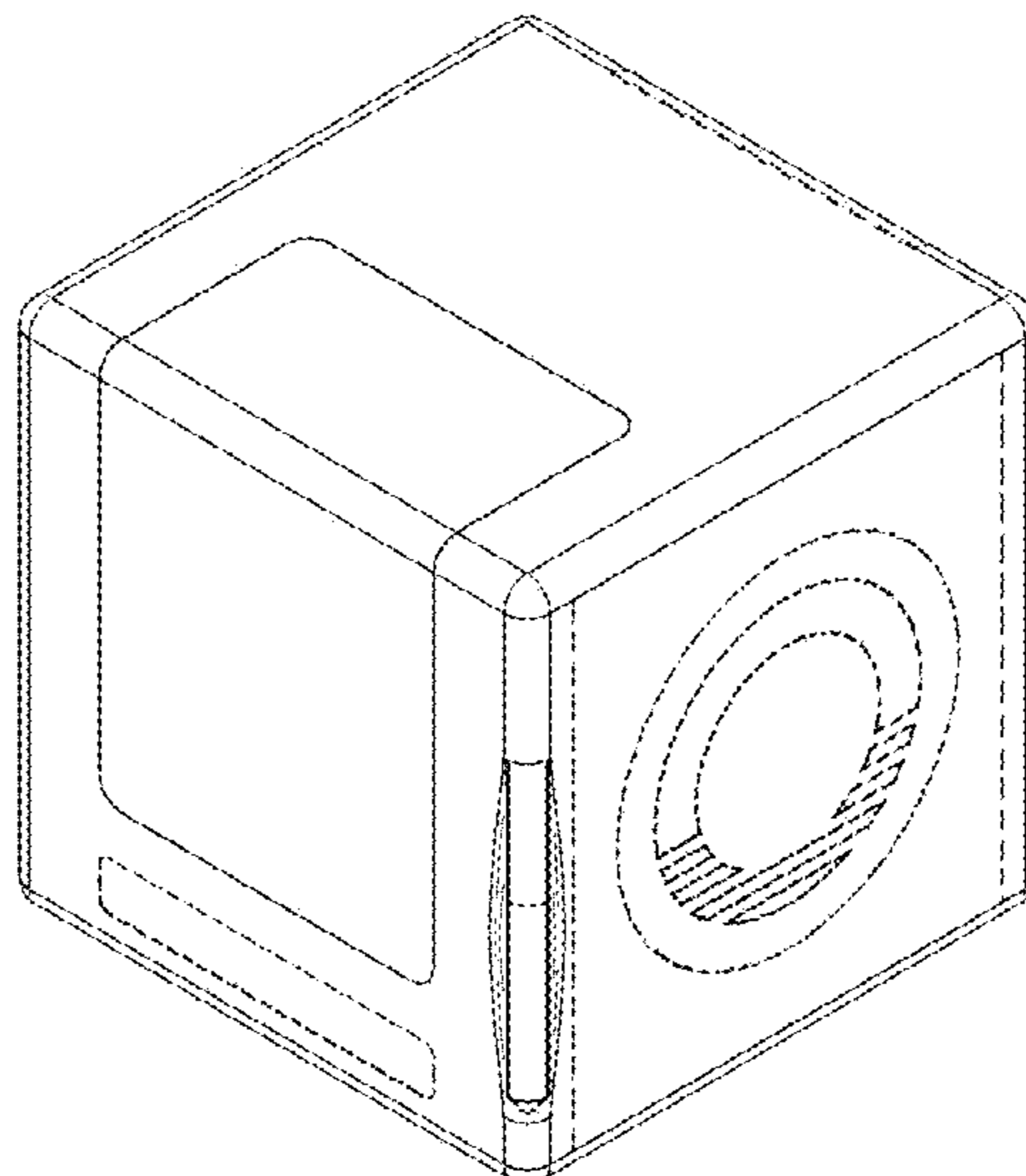
(56) **References Cited**

U.S. PATENT DOCUMENTS

4,319,794 A 3/1982 Bachor
D298,943 S 12/1988 Haager et al.
D311,177 S 10/1990 Peters
D341,827 S 11/1993 Lai et al.
D365,507 S * 12/1995 Pope D8/90
D432,160 S 10/2000 Kabumoto et al.
D446,826 S * 8/2001 Dunn D21/398
D458,911 S 6/2002 Kataoka
D461,187 S 8/2002 Andre et al.
D506,465 S 6/2005 Geeng

(Continued)

1 Claim, 8 Drawing Sheets



(56)

References Cited

U.S. PATENT DOCUMENTS

D508,491 S 8/2005 Choi
 D523,897 S 6/2006 Iue
 D514,556 S 8/2006 Chin et al.
 D526,640 S 8/2006 Chin et al.
 7,204,684 B2 4/2007 Ederer et al.
 D552,166 S * 10/2007 Ohashi D18/50
 7,297,304 B2 * 11/2007 Swanson B29C 41/36
 264/308
 D559,900 S * 1/2008 Kimura D18/50
 D577,743 S 9/2008 Liu
 D580,952 S 11/2008 Liu
 D598,906 S 8/2009 Chiba et al.
 D602,019 S 10/2009 Wang et al.
 D623,136 S 9/2010 Andre et al.
 D629,827 S 12/2010 Morenstein et al.
 D646,148 S 11/2011 Gengoux
 D648,186 S 11/2011 Pourian et al.
 D649,148 S 11/2011 Gengoux
 8,197,039 B2 * 6/2012 Inoue B41J 2/17596
 347/7
 8,251,500 B2 * 8/2012 Yamada B41J 2/185
 347/86
 8,318,076 B2 11/2012 Wang et al.
 D677,723 S 3/2013 Buel et al.
 D681,548 S 5/2013 Zhang et al.
 D690,280 S 9/2013 Schul
 D698,869 S 2/2014 Strzelewicz et al.
 D711,463 S 8/2014 Costabeber
 8,845,050 B2 * 9/2014 Matsui B41J 25/308
 347/107
 D722,053 S 2/2015 Wang

8,945,456 B2 * 2/2015 Zenere B29C 64/135
 264/401
 D728,013 S * 4/2015 Nanno D18/50
 D729,309 S 5/2015 Jun et al.
 D732,586 S * 6/2015 Chen D15/122
 D732,587 S 6/2015 Hsu et al.
 D732,588 S 6/2015 Lin et al.
 D733,196 S 6/2015 Wolf et al.
 D733,795 S * 7/2015 Nanno D18/55
 D734,814 S 7/2015 Yeh et al.
 D735,267 S 7/2015 Chung et al.
 D736,838 S 8/2015 Costabeber
 D739,885 S 9/2015 Lee et al.
 D740,863 S 10/2015 Kemperle et al.
 D742,439 S 11/2015 Kraibuhler et al.
 D745,903 S 12/2015 Armani
 D749,153 S 2/2016 Anantha et al.
 D752,661 S 3/2016 Anantha et al.
 D757,132 S 5/2016 Liu et al.
 D760,825 S 7/2016 Solorzano et al.
 D761,903 S * 7/2016 Matsumoto D18/50
 D763,330 S 8/2016 Olive et al.
 D770,545 S 11/2016 Olive et al.
 D771,164 S 11/2016 Noorazar
 D777,808 S 1/2017 Chang et al.
 D787,574 S 5/2017 Lee et al.
 D810,156 S * 2/2018 Lin D15/135
 D826,296 S 8/2018 Noorazar et al.
 10,300,651 B2 * 5/2019 Noorazar B29C 48/90
 2014/0043630 A1 2/2014 Buser et al.
 2015/0140150 A1 5/2015 Schmehl et al.
 2015/0165687 A1 6/2015 Ho et al.
 2016/0193778 A1 7/2016 Lee et al.
 2016/0236407 A1 8/2016 Armani et al.

* cited by examiner

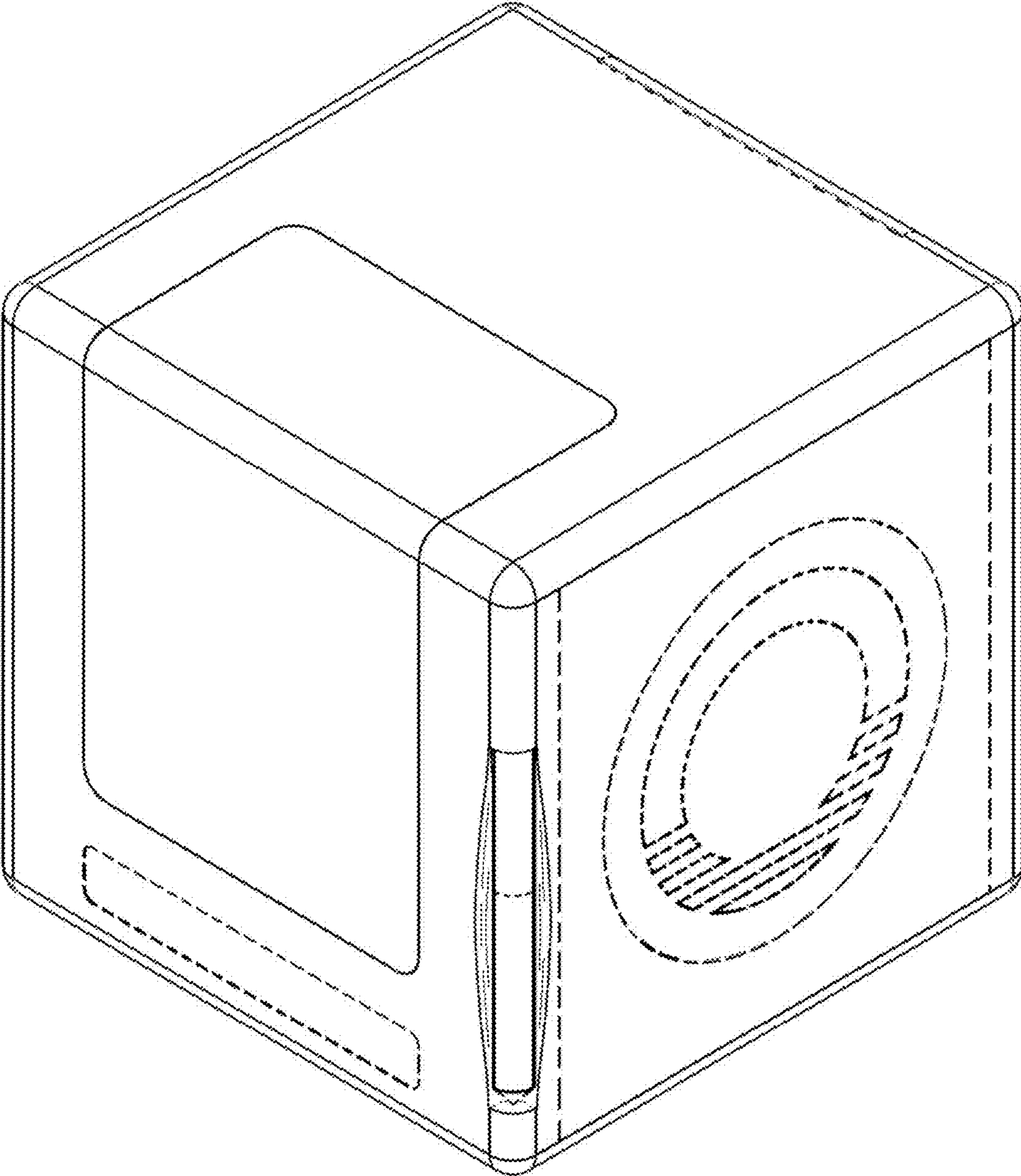


FIG. 1

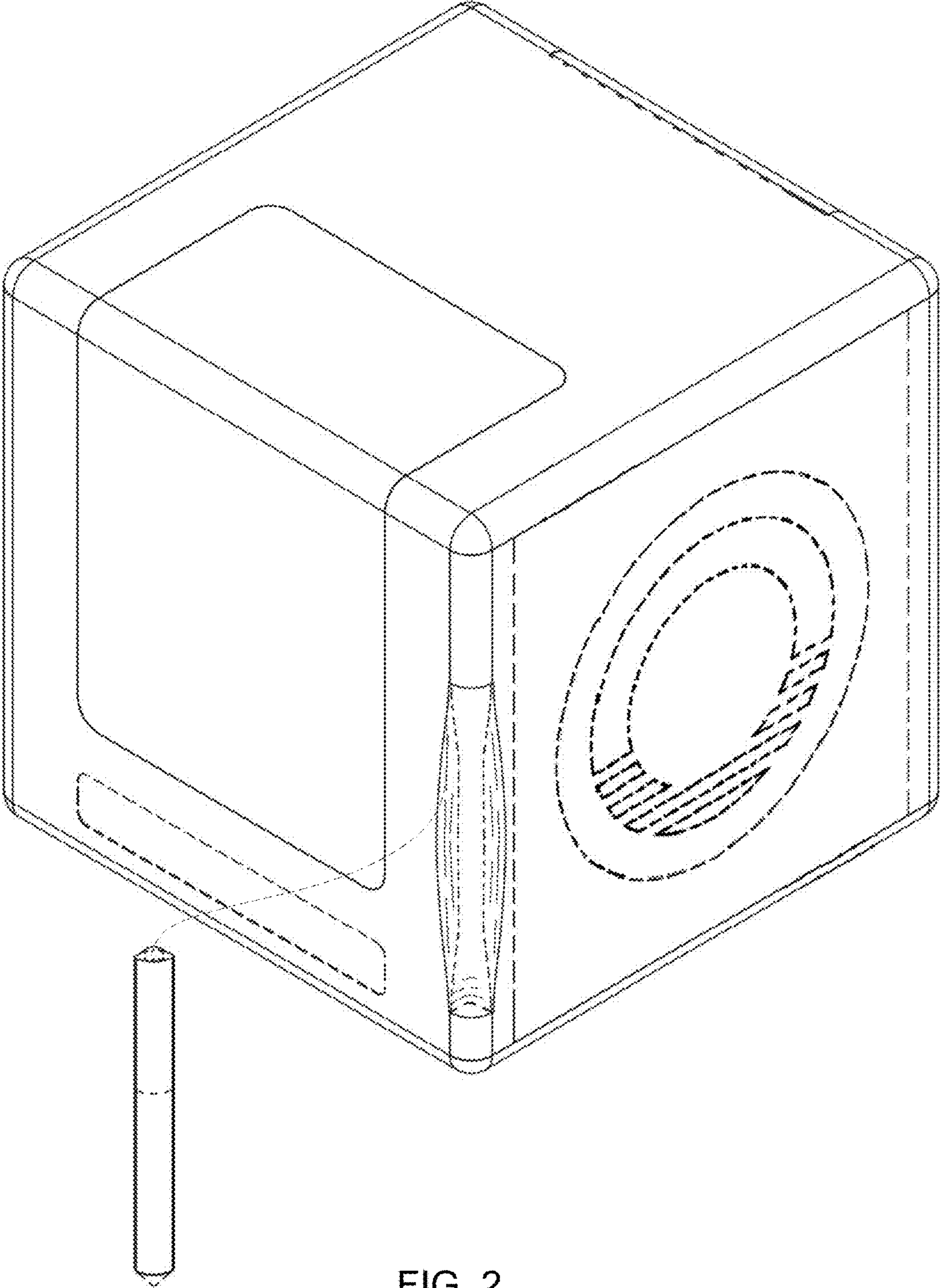


FIG. 2

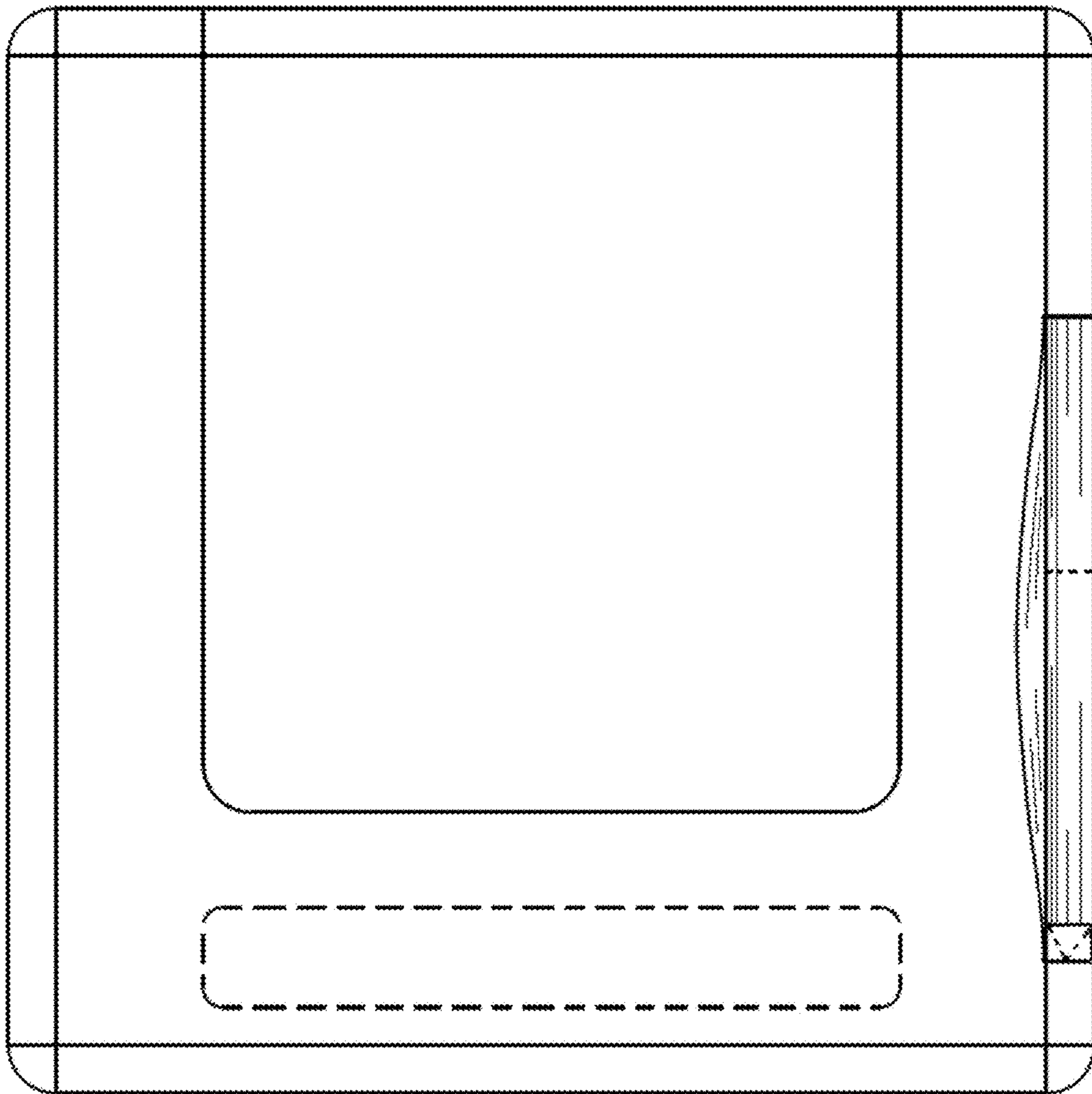


FIG. 3

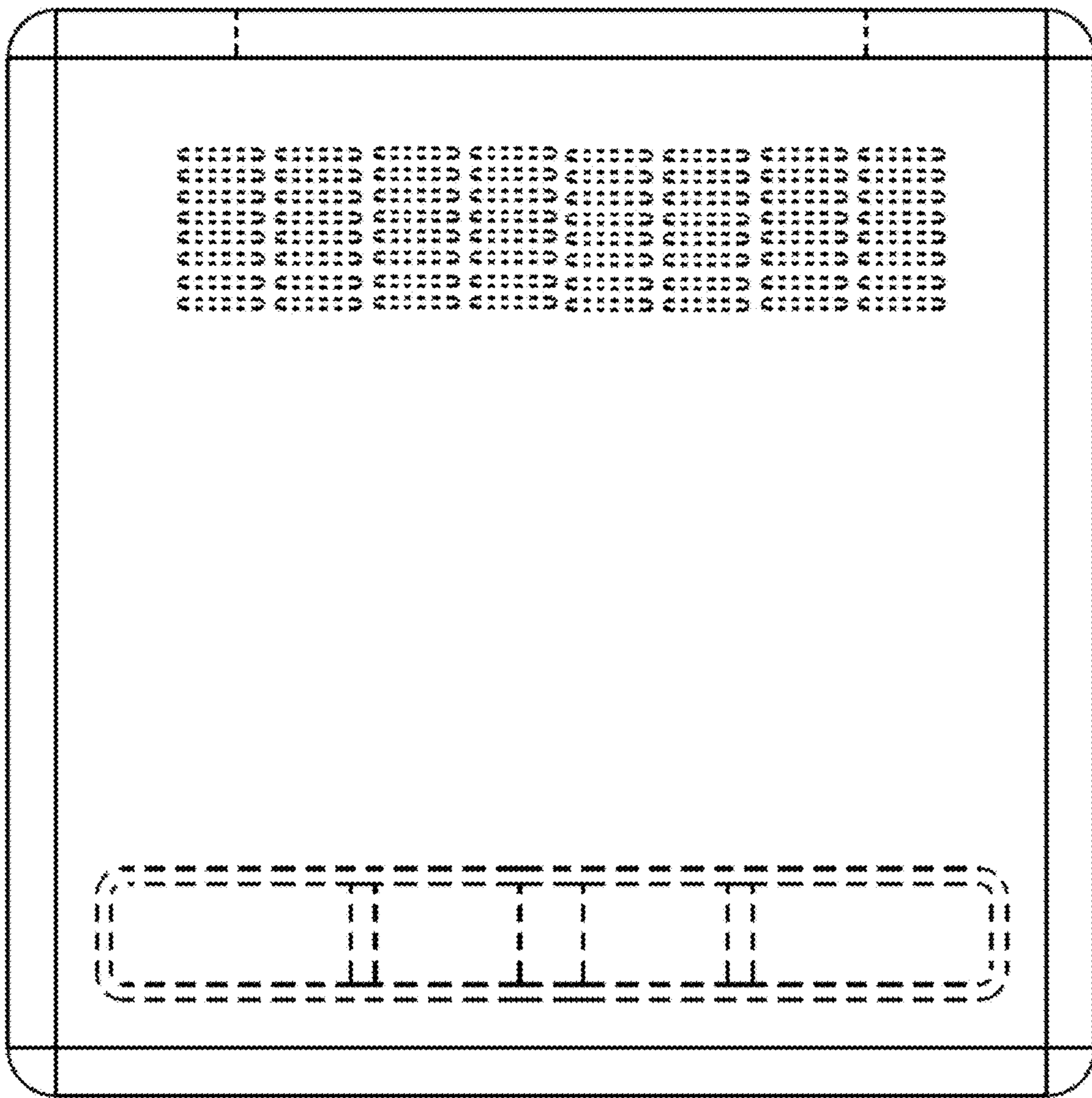


FIG. 4

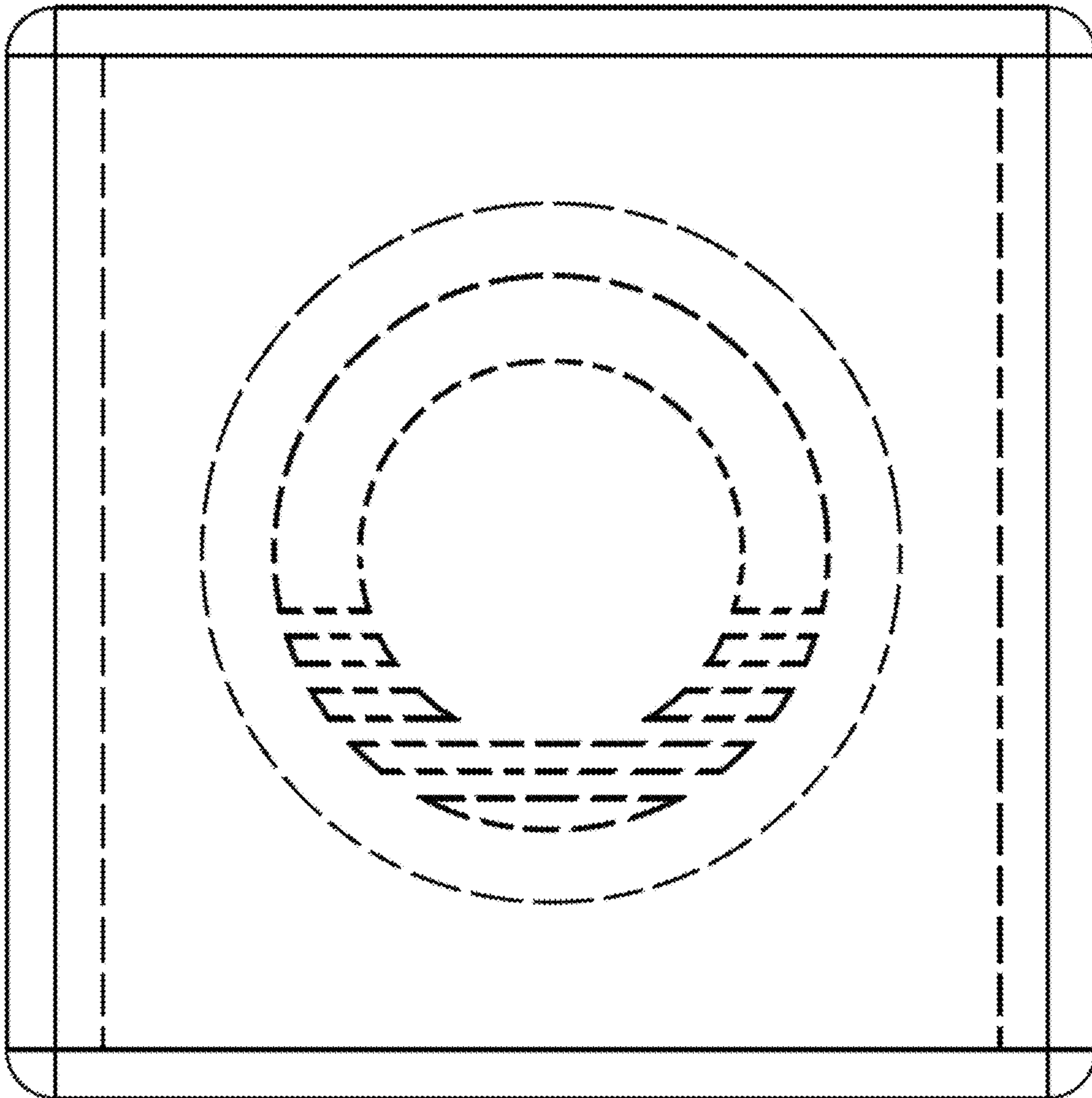


FIG. 5

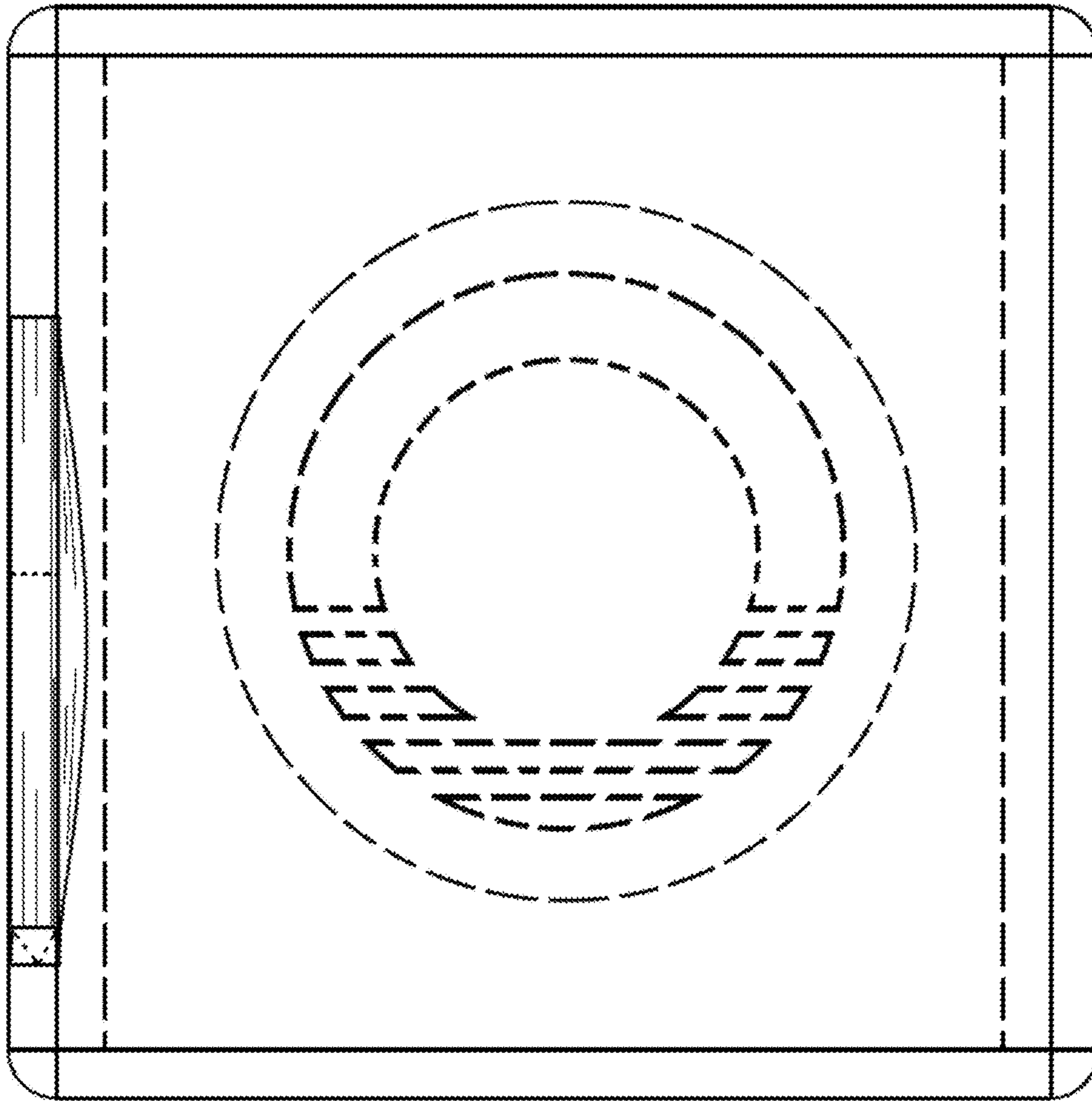


FIG. 6

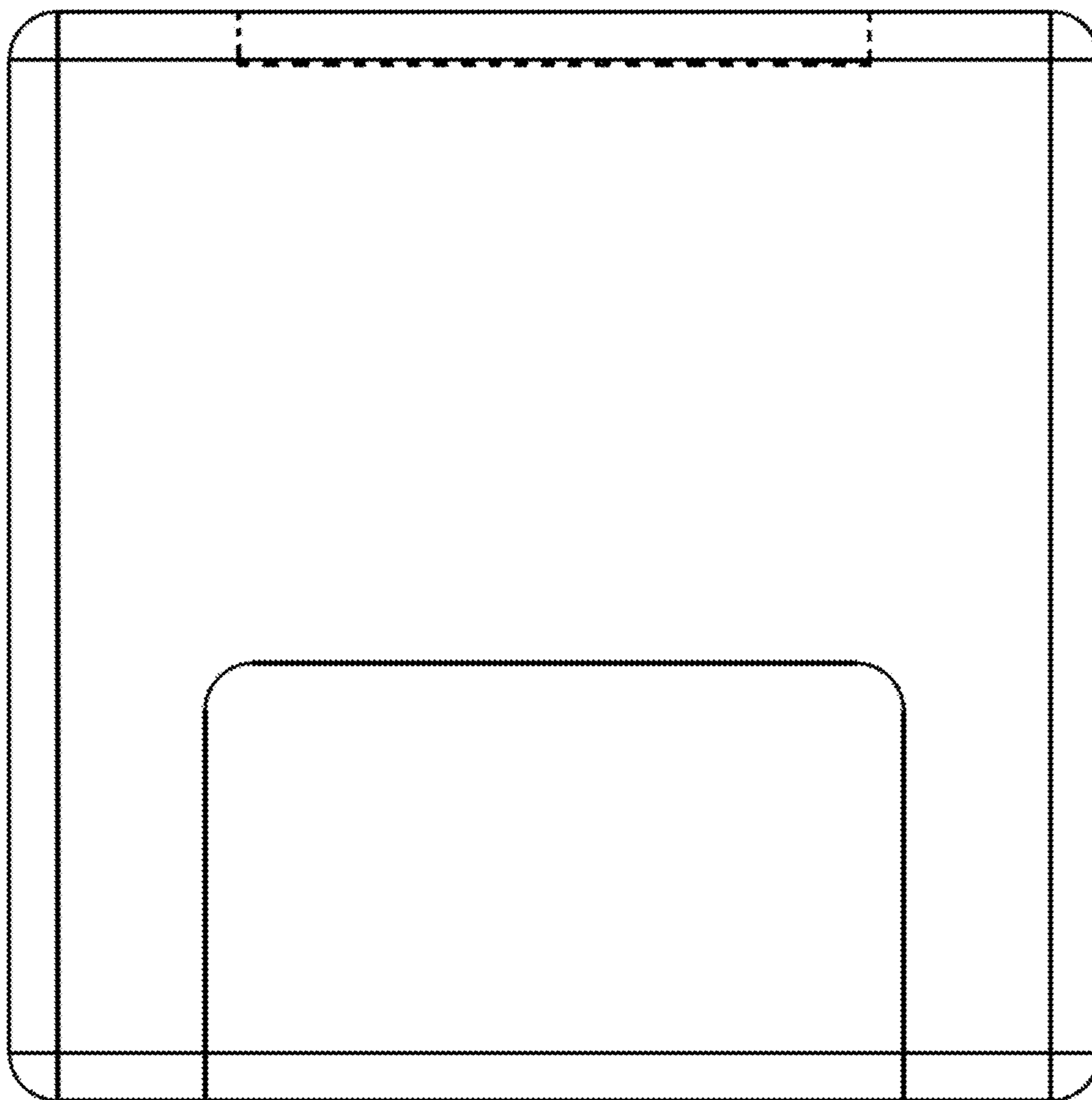


FIG. 7

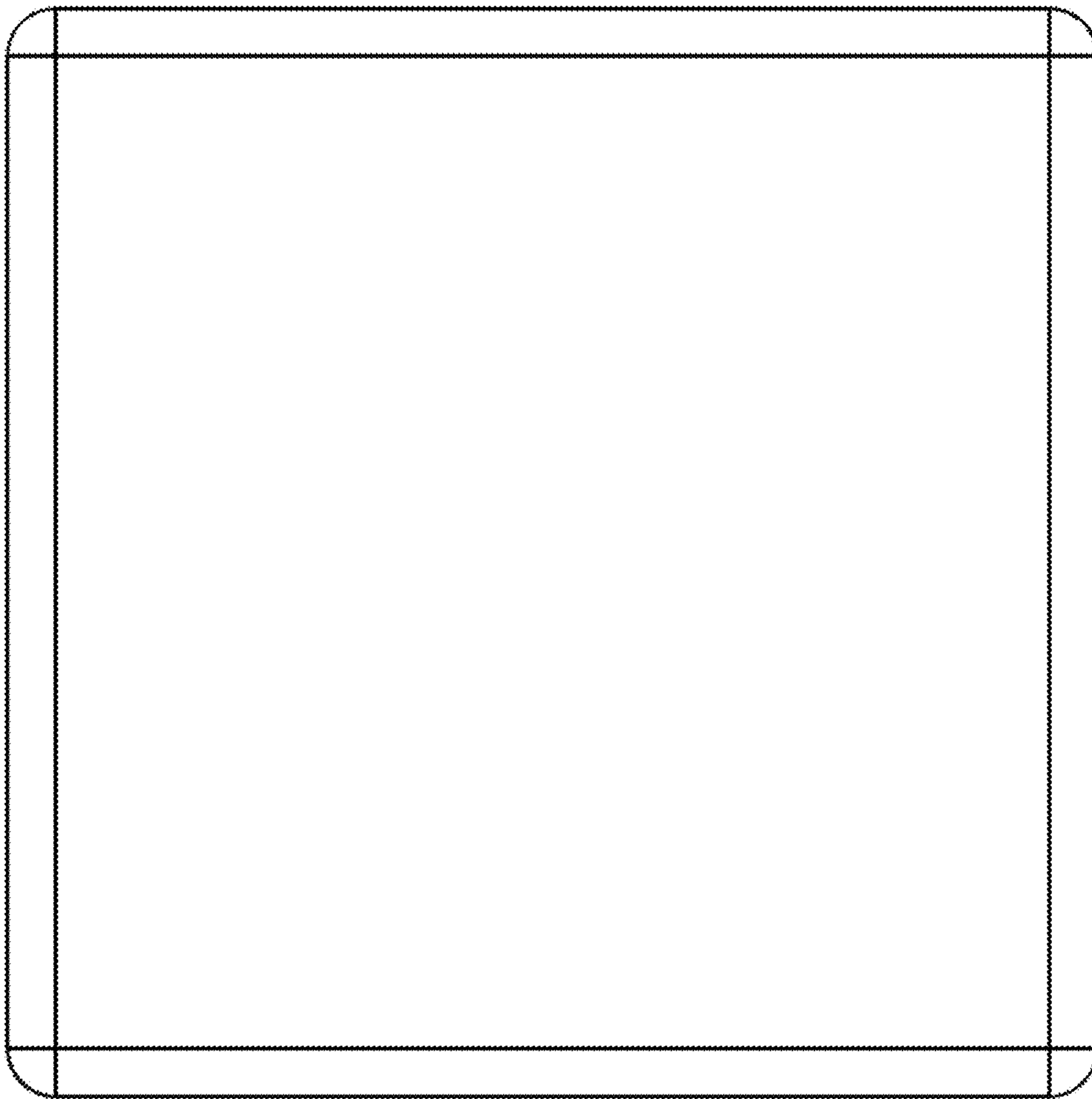


FIG. 8