



US00D610516S

(12) **United States Design Patent**
Dilber et al.

(10) **Patent No.:** **US D610,516 S**
(45) **Date of Patent:** **** Feb. 23, 2010**

(54) **WHEEL OR WHEEL COVER**

(75) Inventors: **Cengiz Dilber**, Rielingshausen (DE);
Claus Hieke, Sindelfingen (DE)

(73) Assignee: **Daimler AG**, Stuttgart (DE)

(**) Term: **14 Years**

(21) Appl. No.: **29/309,723**

(22) Filed: **Sep. 29, 2008**

(30) **Foreign Application Priority Data**

Mar. 31, 2008 (EM) 000906375-0005

(51) **LOC (9) Cl.** **12-16**

(52) **U.S. Cl.** **D12/211**

(58) **Field of Classification Search** D12/204-213;
301/37.101, 64.101, 65, 64.201
See application file for complete search history.

(56) **References Cited**

U.S. PATENT DOCUMENTS

D339,561 S * 9/1993 Maiworm et al. D12/211
D450,649 S * 11/2001 Penzes D12/211
D457,118 S * 5/2002 Bhambra D12/211
D473,836 S * 4/2003 Laengerer D12/211

D479,178 S * 9/2003 Lai D12/211
D499,686 S * 12/2004 Song D12/211
D504,101 S * 4/2005 Pfeiffer D12/211
D516,489 S * 3/2006 Alonso D12/211
D520,435 S * 5/2006 Kulla et al. D12/211
D520,931 S * 5/2006 Hieke D12/211
D530,256 S * 10/2006 Pfeiffer D12/211
D541,724 S * 5/2007 Gallert D12/211
D543,923 S * 6/2007 Hieke D12/211

* cited by examiner

Primary Examiner—Cathron C Brooks

Assistant Examiner—Austin Murphy

(74) *Attorney, Agent, or Firm*—Crowell & Moring LLP

(57) **CLAIM**

The ornamental design for a wheel or wheel cover, as shown and described.

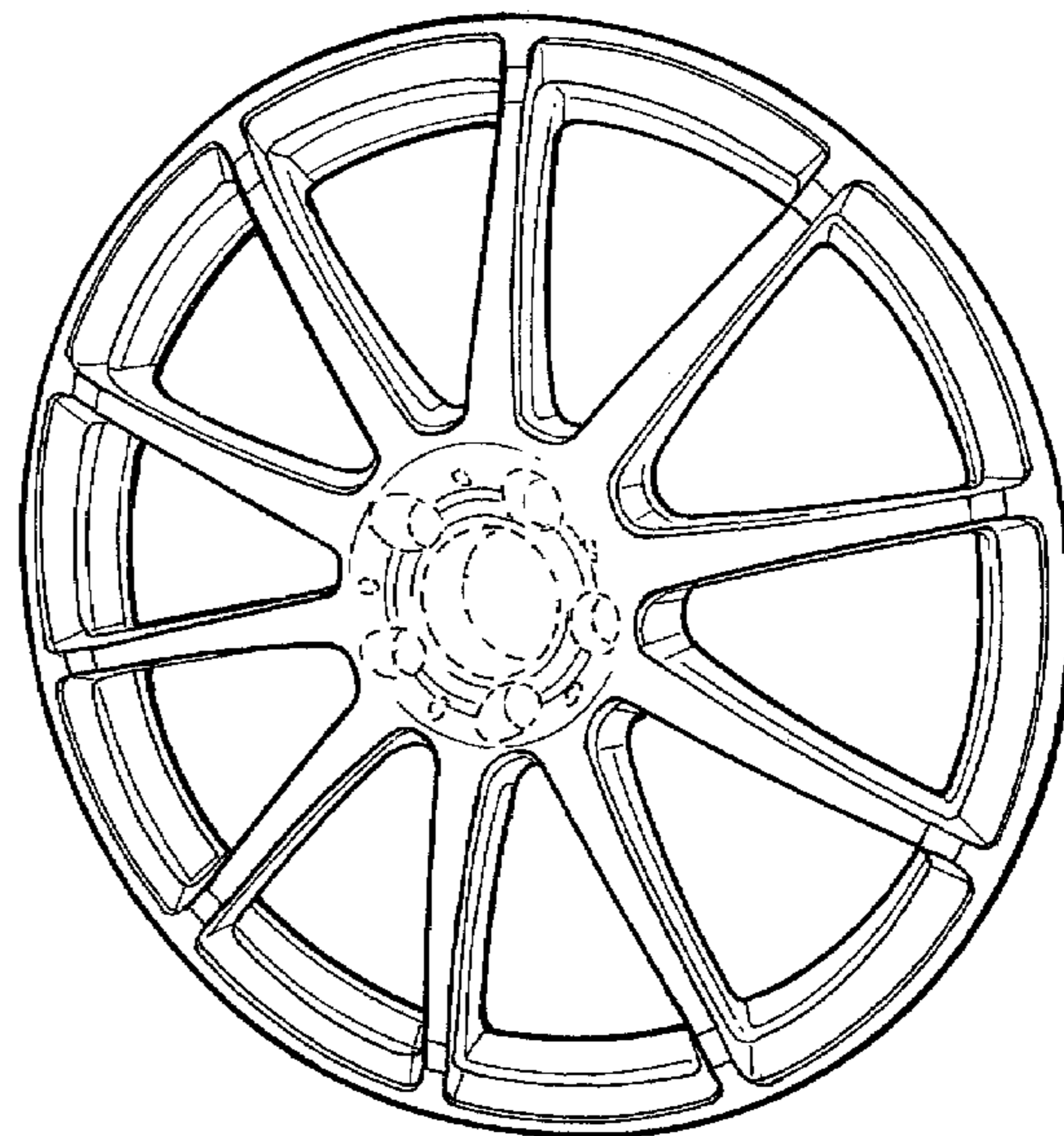
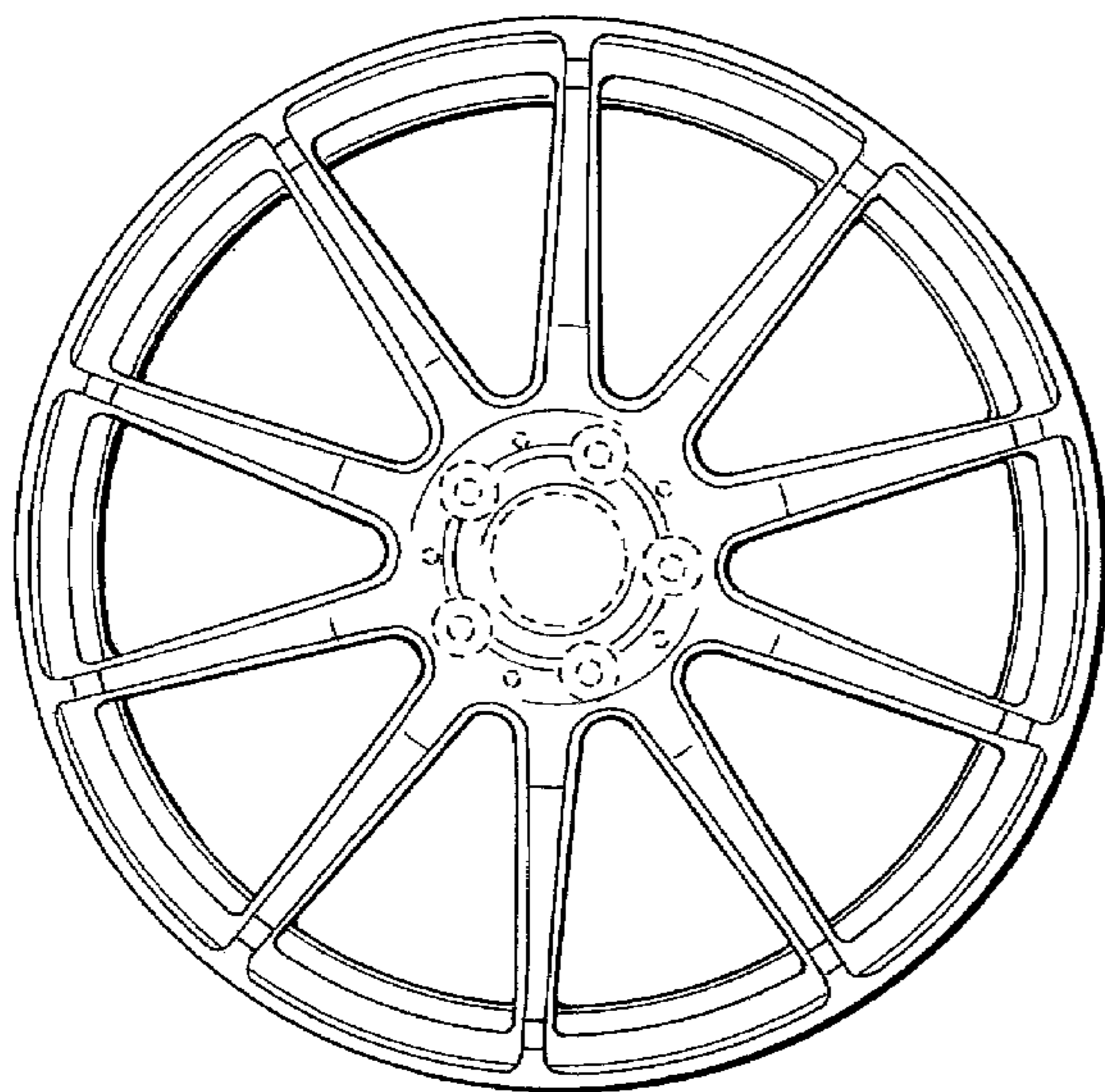
DESCRIPTION

FIG. 1 is a front view of a wheel or wheel cover according to our novel design; and,

FIG. 2 is a perspective view thereof.

The broken lines are for illustrative purposes only and form no part of the claimed design.

1 Claim, 1 Drawing Sheet



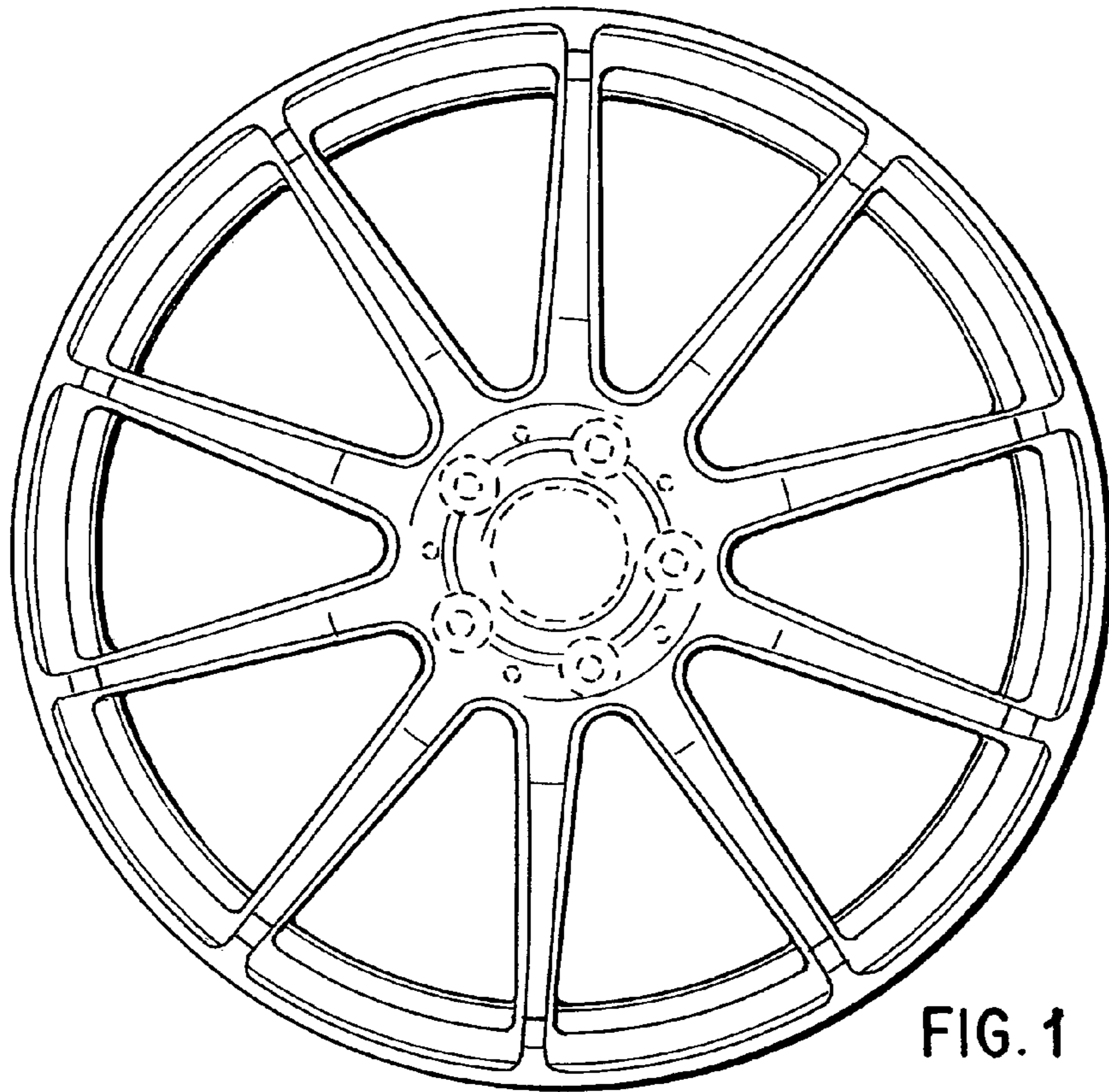


FIG. 1

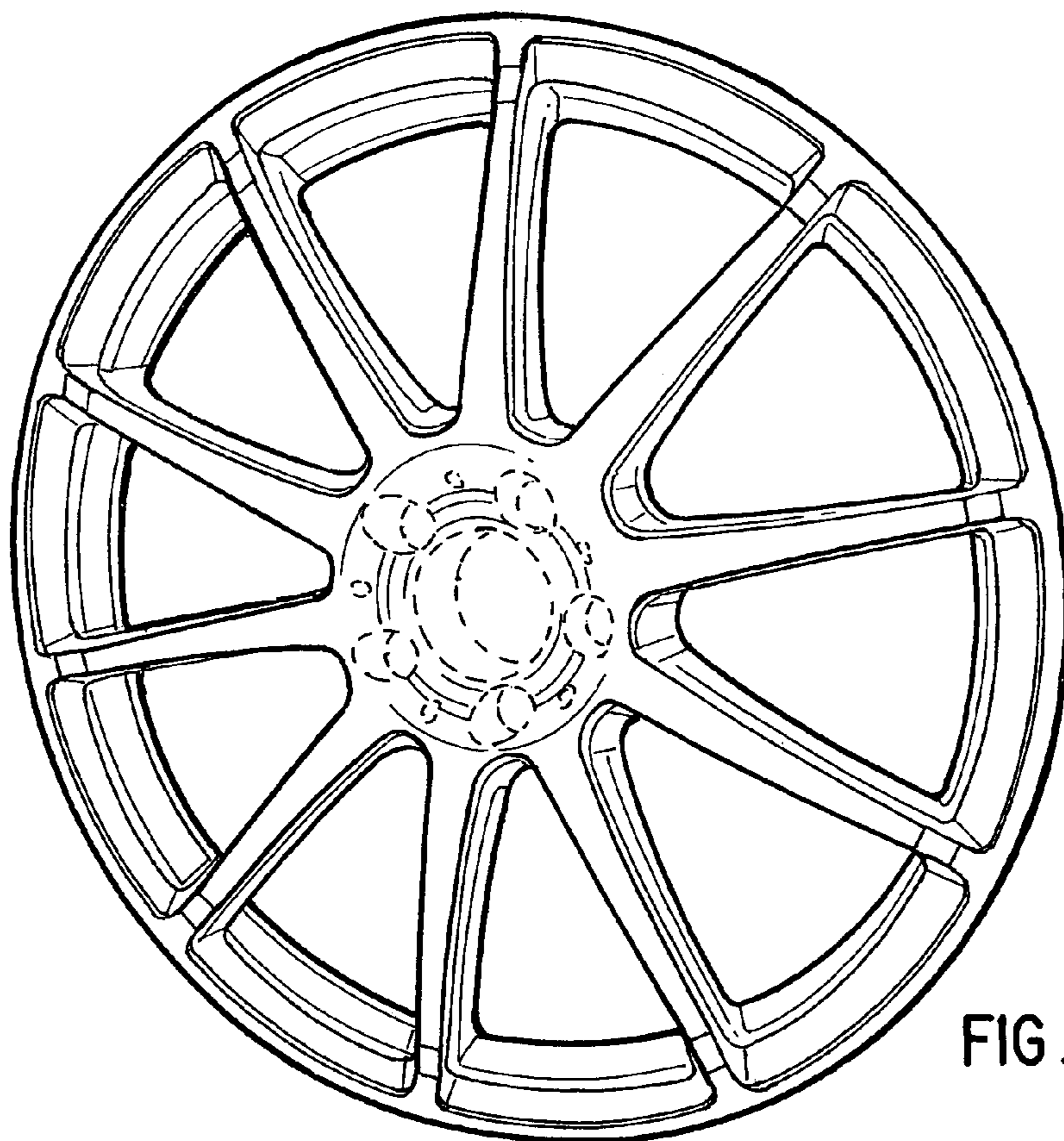


FIG. 2