



US00D580232S

(12) **United States Design Patent**  
**Lee**

(10) **Patent No.:** **US D580,232 S**

(45) **Date of Patent:** **\*\* Nov. 11, 2008**

(54) **COOLER WITH DETACHABLE LEGS**

(76) Inventor: **Lawrence K. Lee**, 9320 Harwin Dr.,  
Houston, TX (US) 77036

(\*\*) Term: **14 Years**

(21) Appl. No.: **29/305,660**

(22) Filed: **Mar. 26, 2008**

(51) **LOC (8) Cl.** ..... **07-01**

(52) **U.S. Cl.** ..... **D7/606**

(58) **Field of Classification Search** ..... D7/603-608,  
D7/629; D6/480, 484, 432, 440; 220/915.1,  
220/915.2, 592.01, 592.03, 592.09, 592.16,  
220/592.2; 62/457.1-457.9, 371, 372

See application file for complete search history.

(56) **References Cited**

**U.S. PATENT DOCUMENTS**

|                |         |                |       |          |
|----------------|---------|----------------|-------|----------|
| D414,354 S *   | 9/1999  | Gower          | ..... | D6/484   |
| D428,733 S *   | 8/2000  | Hazen et al.   | ..... | D6/441   |
| D437,736 S *   | 2/2001  | Moffett et al. | ..... | D7/605   |
| D448,625 S *   | 10/2001 | Moffett et al. | ..... | D7/605   |
| 6,612,127 B2 * | 9/2003  | Simmons        | ..... | 62/457.2 |
| D520,305 S *   | 5/2006  | Brodock et al. | ..... | D7/605   |

\* cited by examiner

*Primary Examiner*—Terry A Wallace

(74) *Attorney, Agent, or Firm*—Egbert Law Offices

(57) **CLAIM**

The ornamental design for the cooler with detachable legs, as shown and described.

**DESCRIPTION**

FIG. 1 is an upper perspective view of the cooler with detachable legs showing my design.

FIG. 2 is a front view thereof;

FIG. 3 is a back view thereof;

FIG. 4 is a side view thereof;

FIG. 5 is an opposite side view thereof;

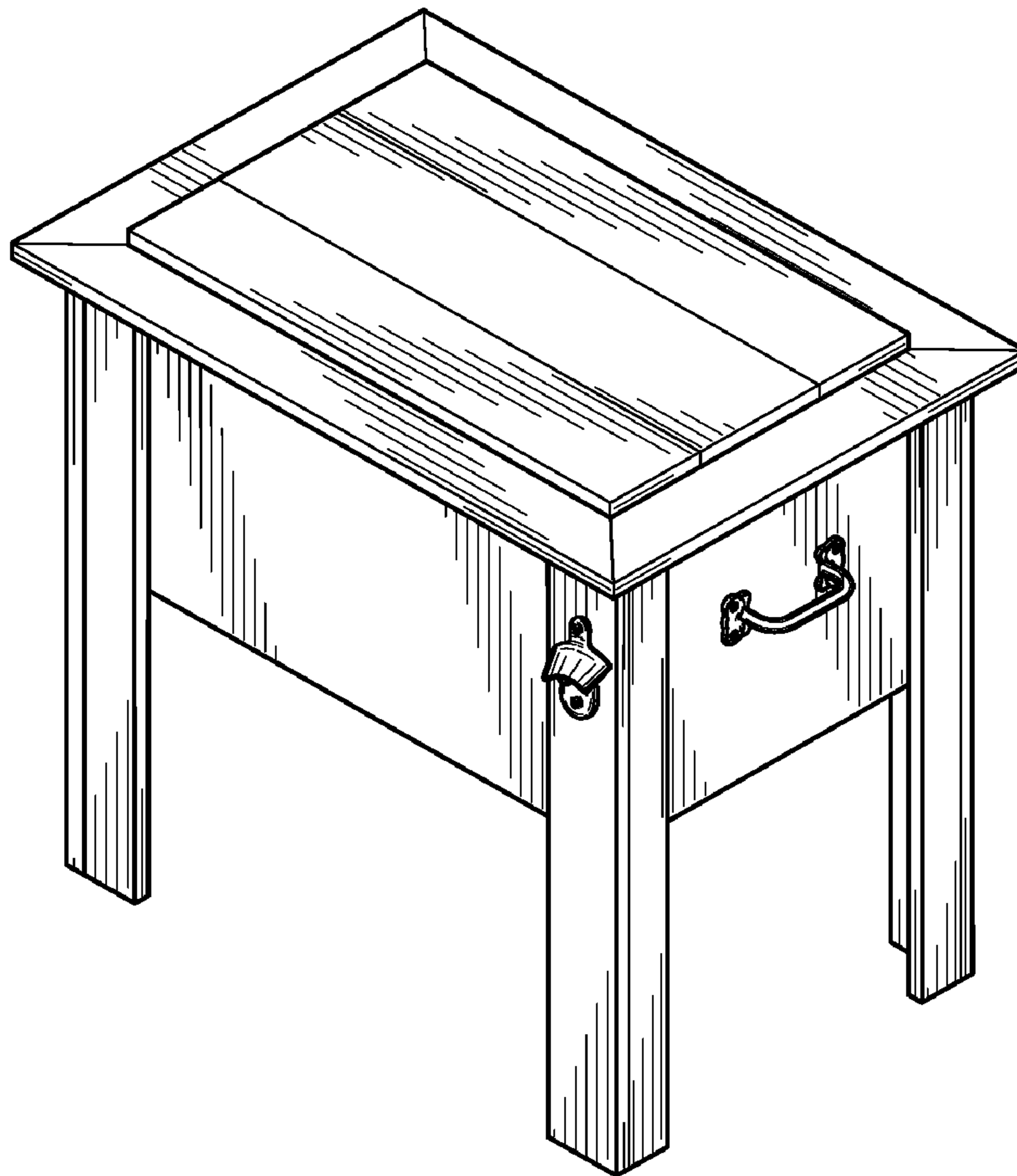
FIG. 6 is a top plan view thereof;

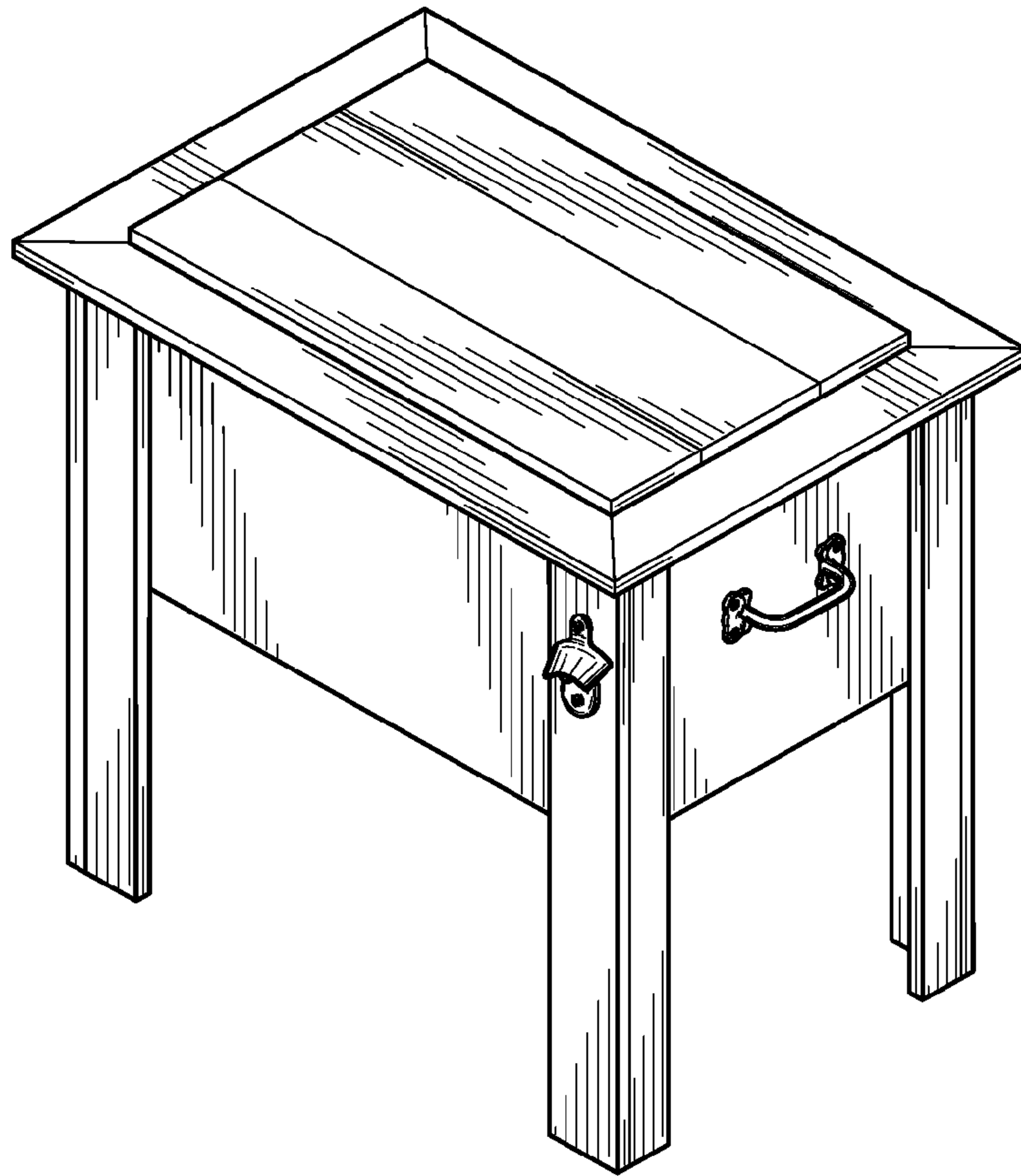
FIG. 7 is a bottom view thereof;

FIG. 8 is another perspective view thereof, showing the lid in an open position; and,

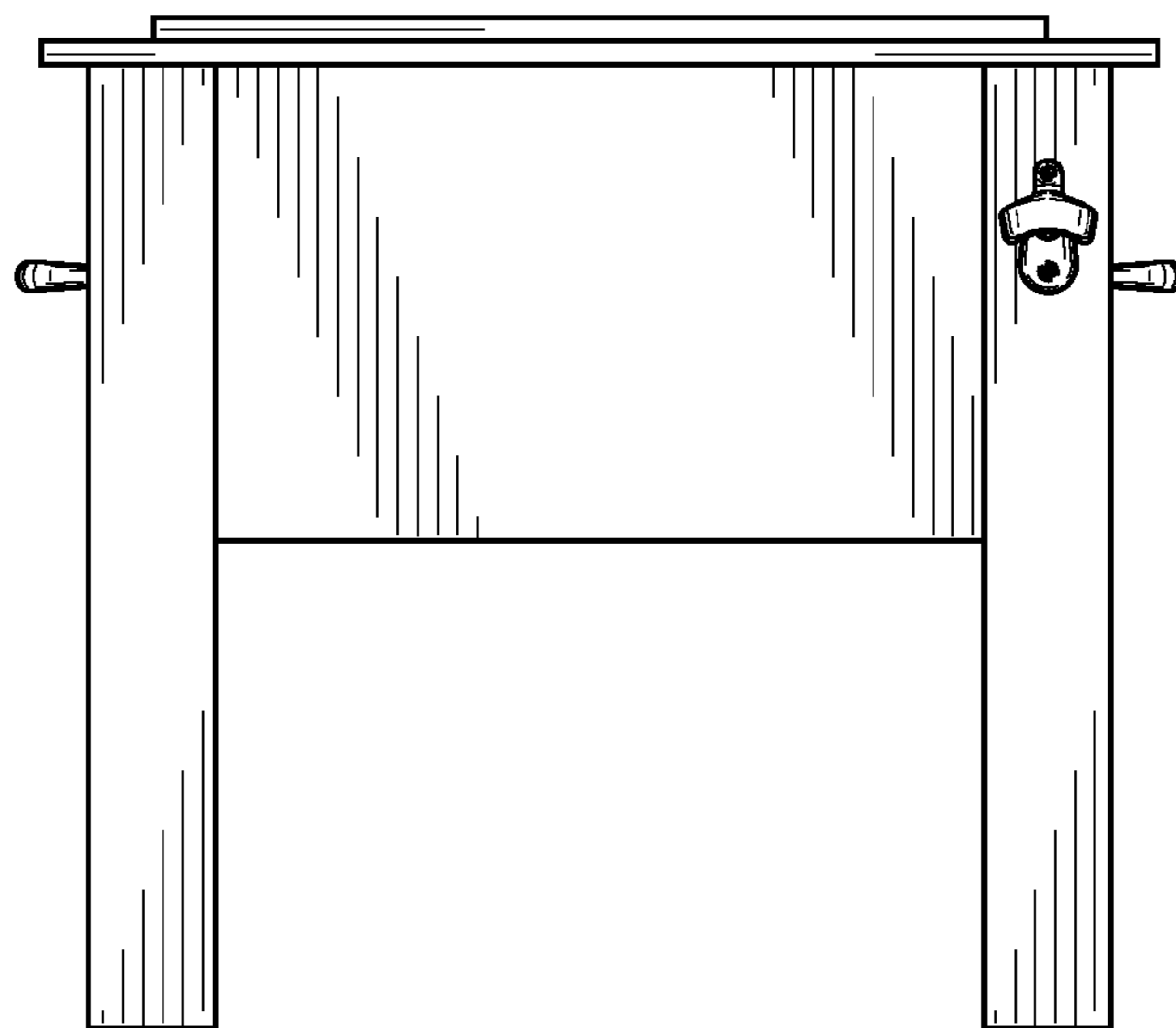
FIG. 9 is an exploded perspective view thereof, showing the legs in a detached position.

**1 Claim, 5 Drawing Sheets**

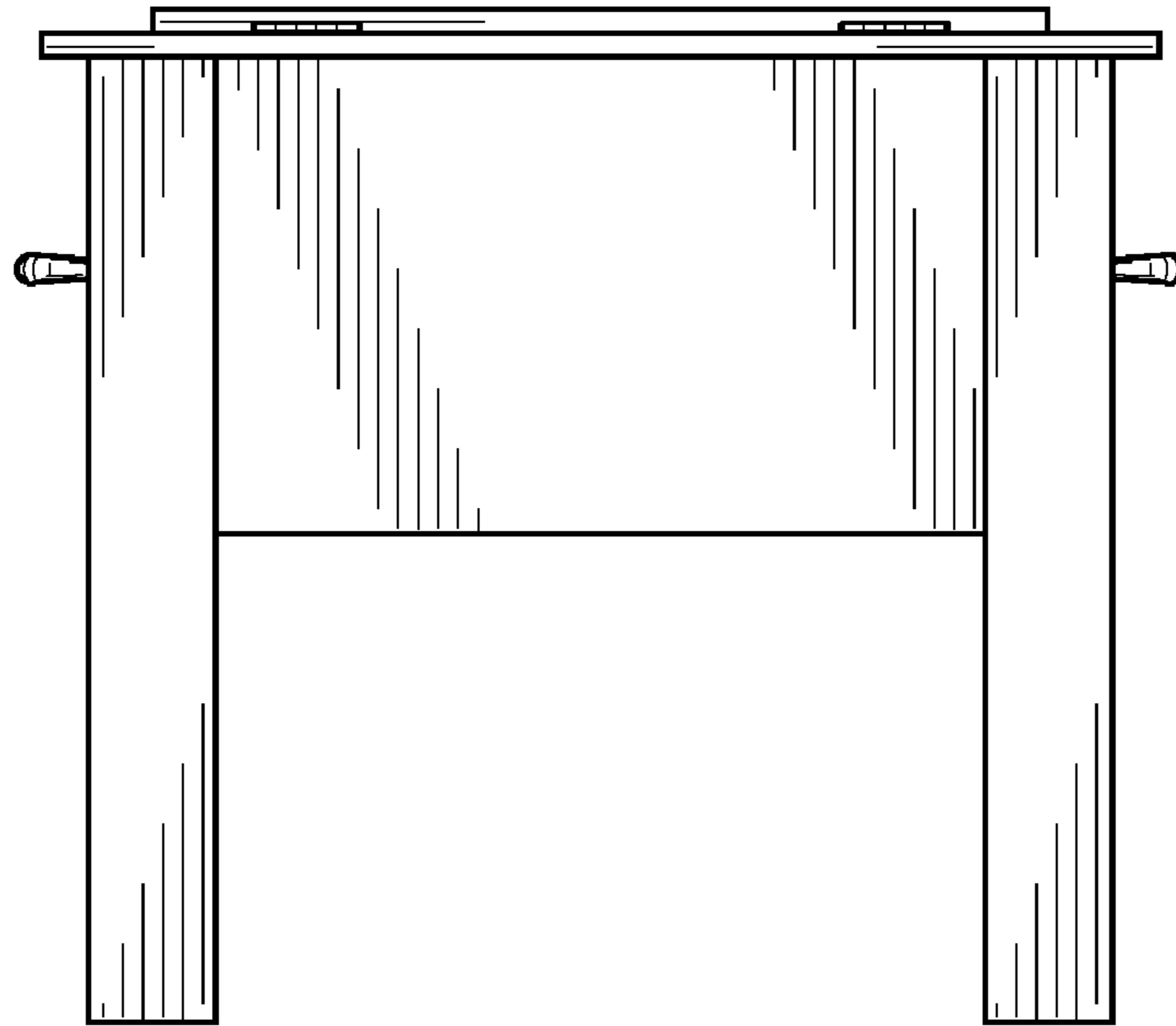




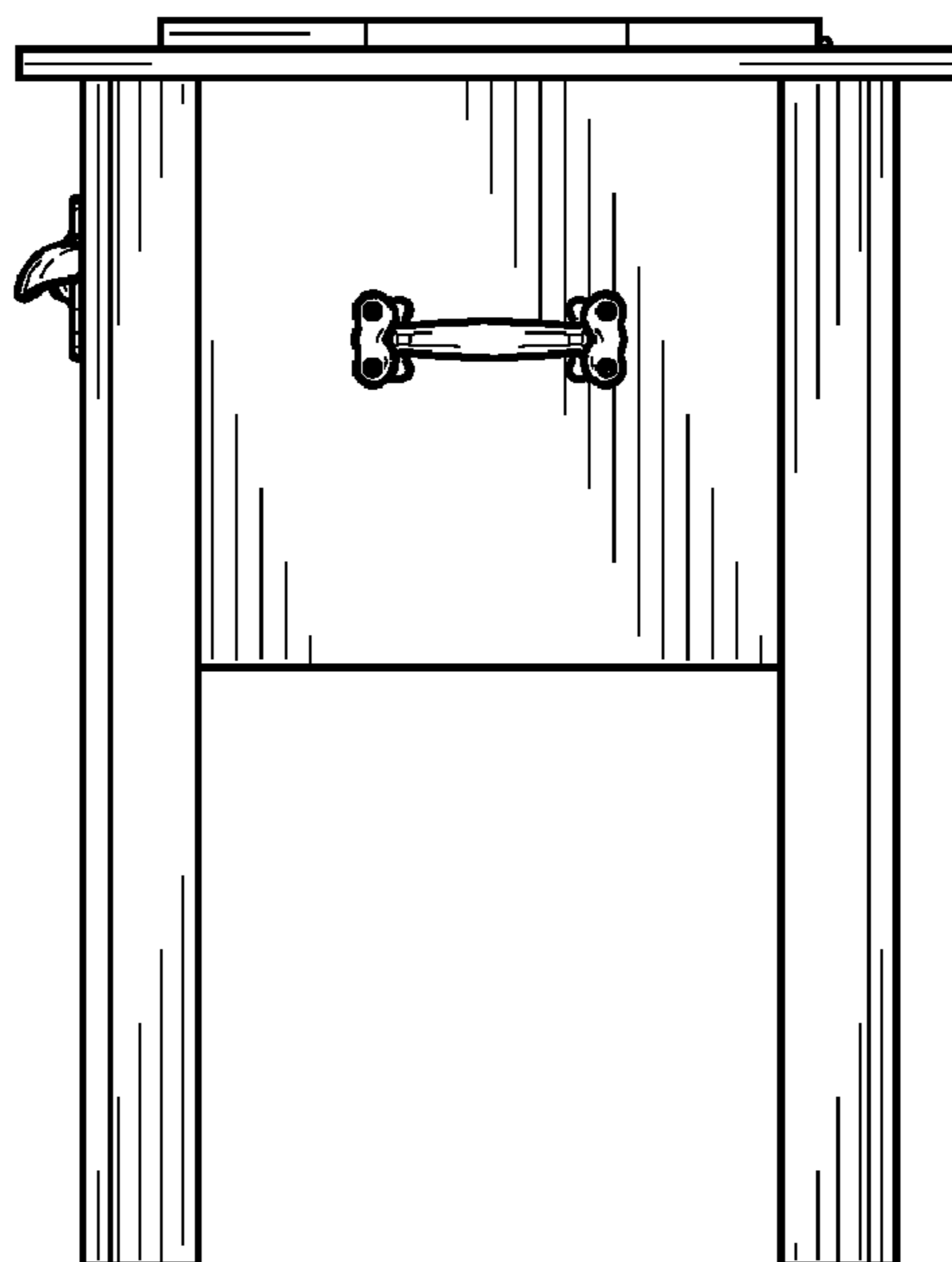
*FIG. 1*



*FIG. 2*



*FIG. 3*



*FIG. 4*

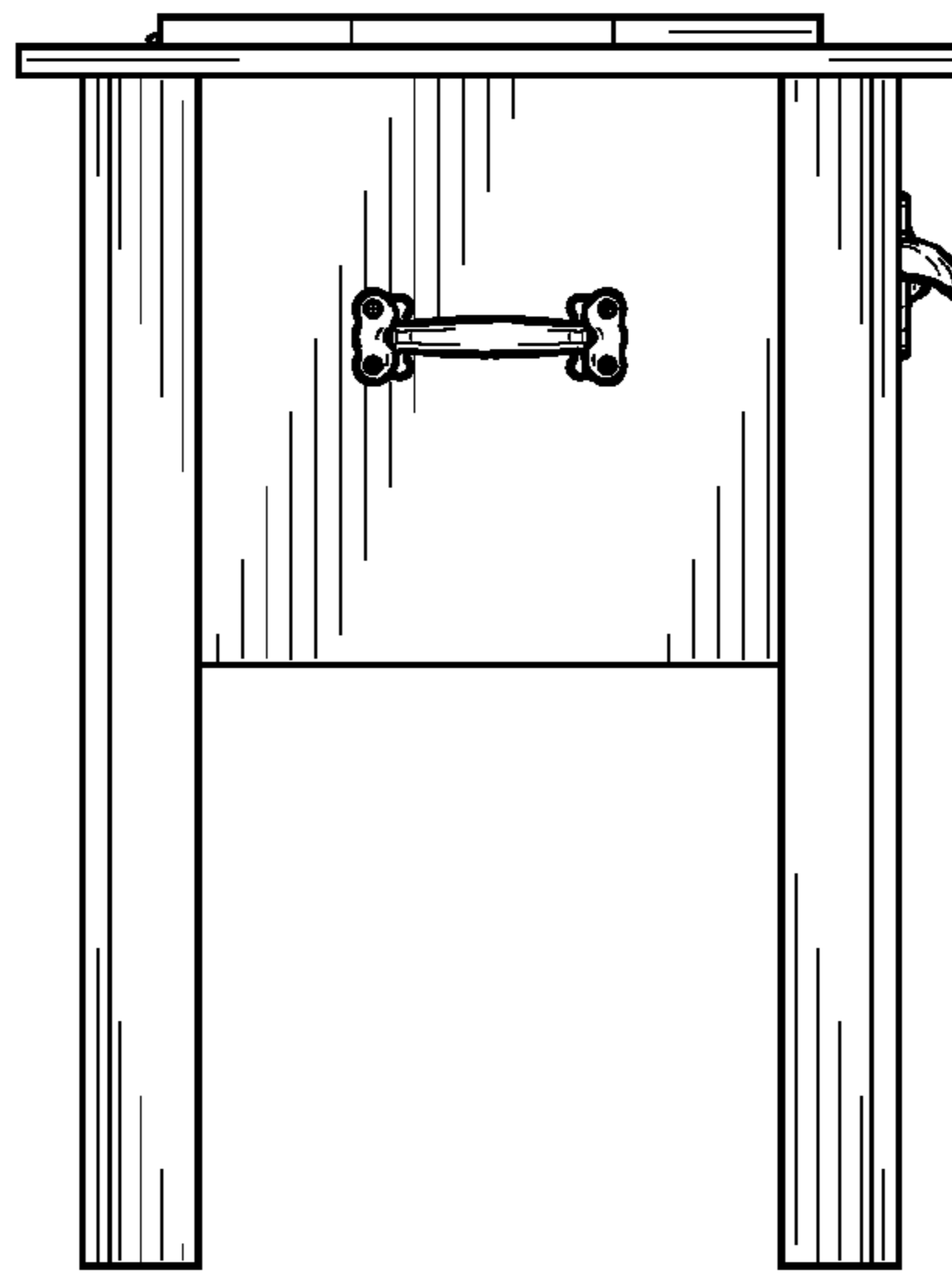


FIG. 5

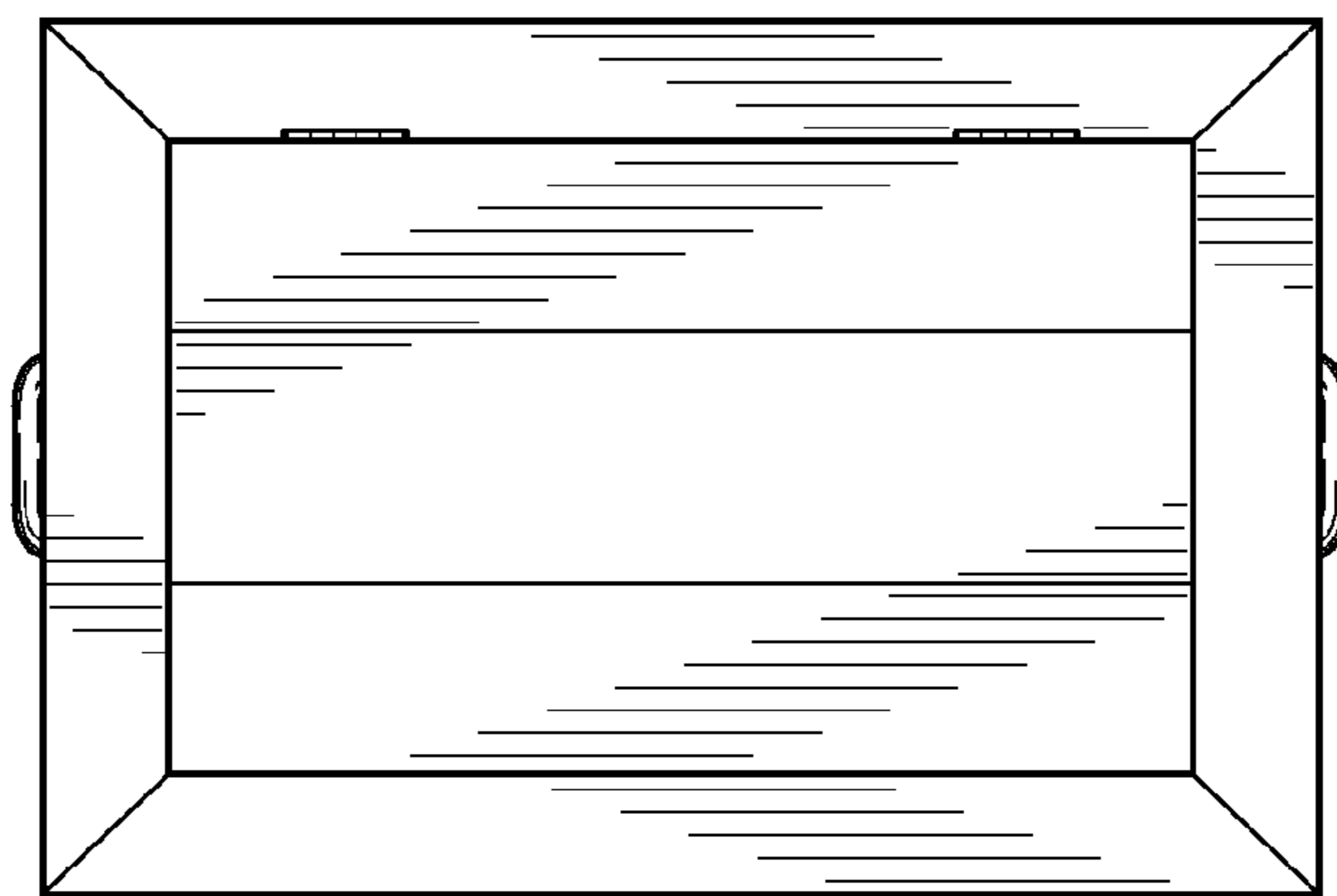


FIG. 6

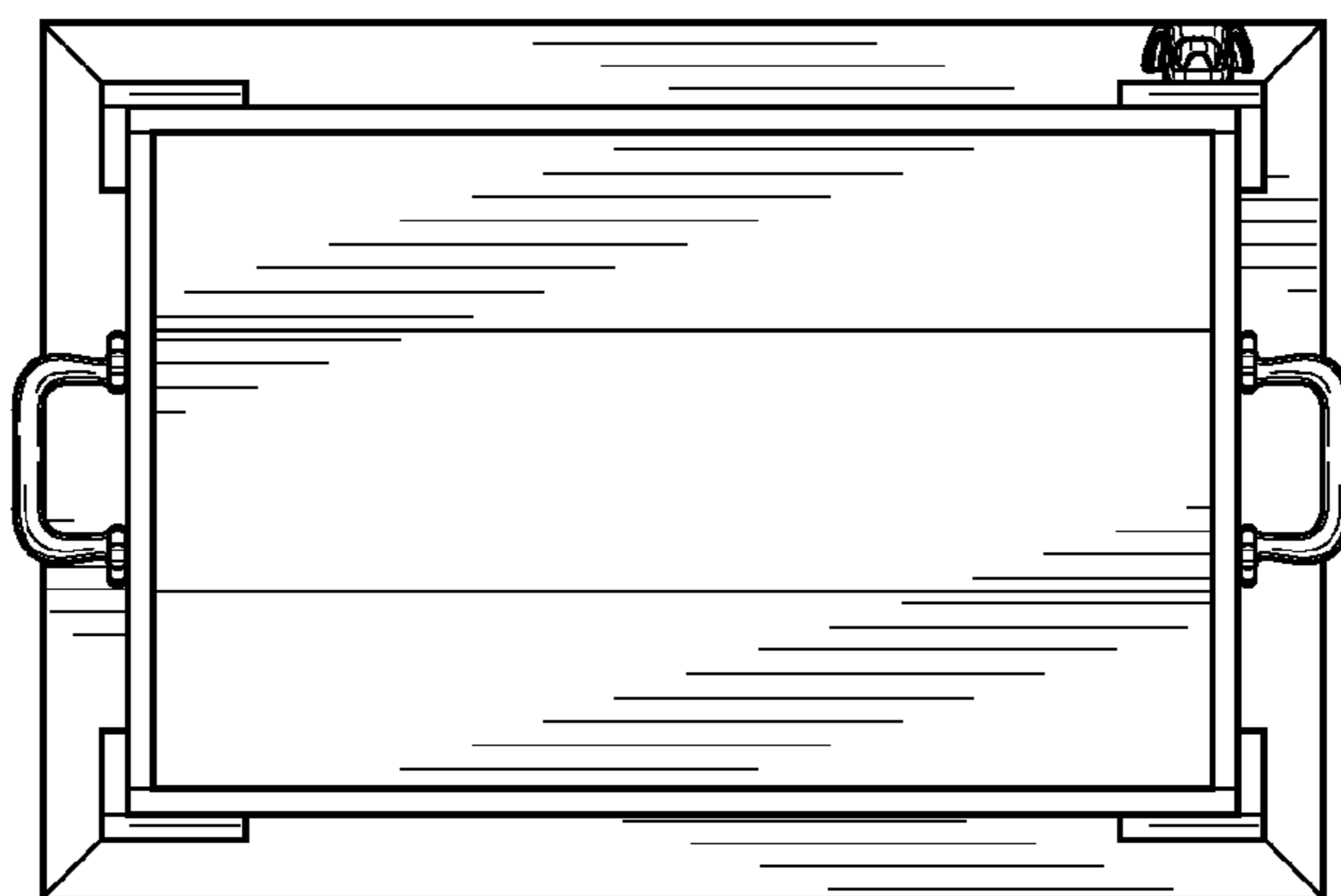
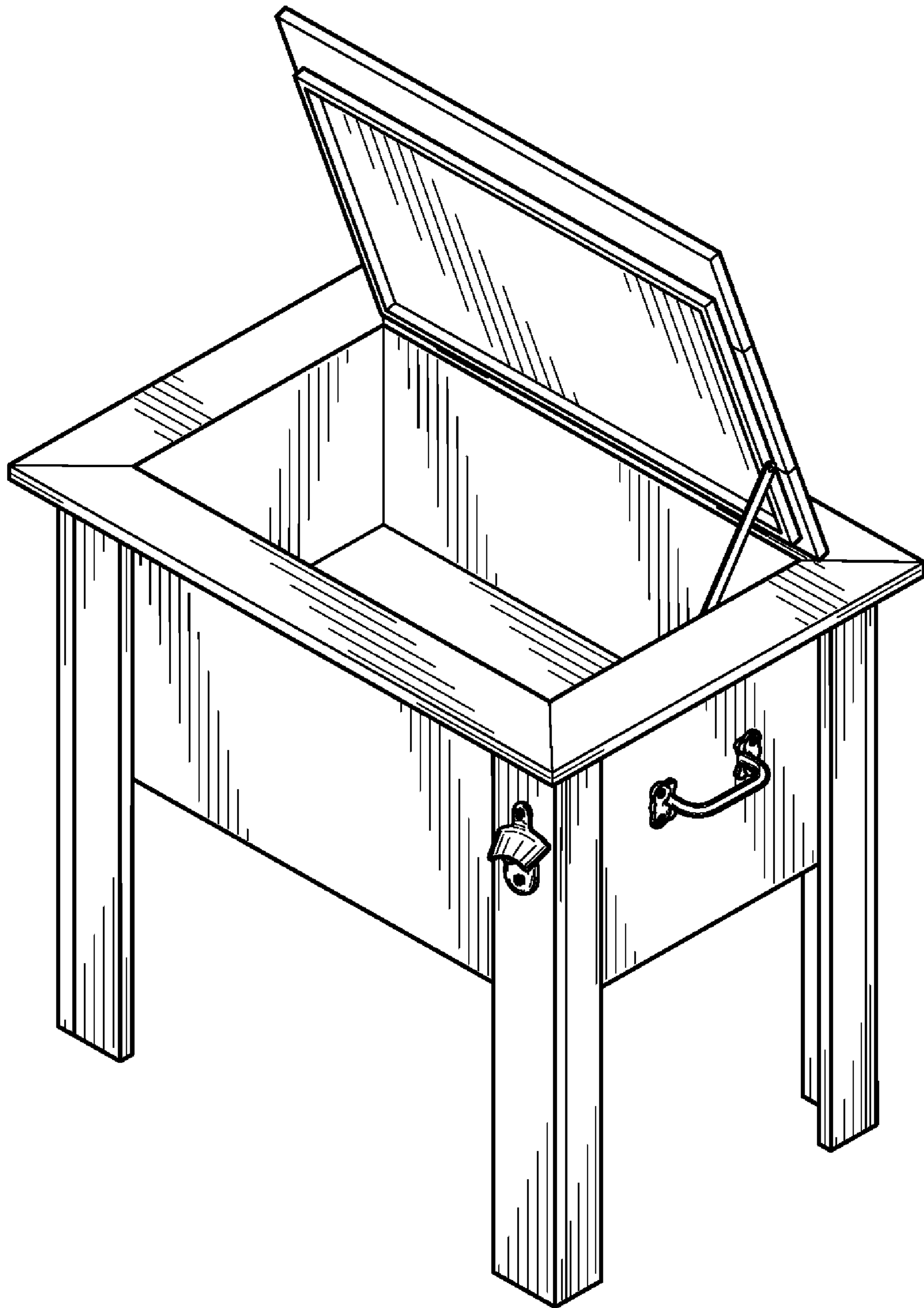


FIG. 7



*FIG. 8*

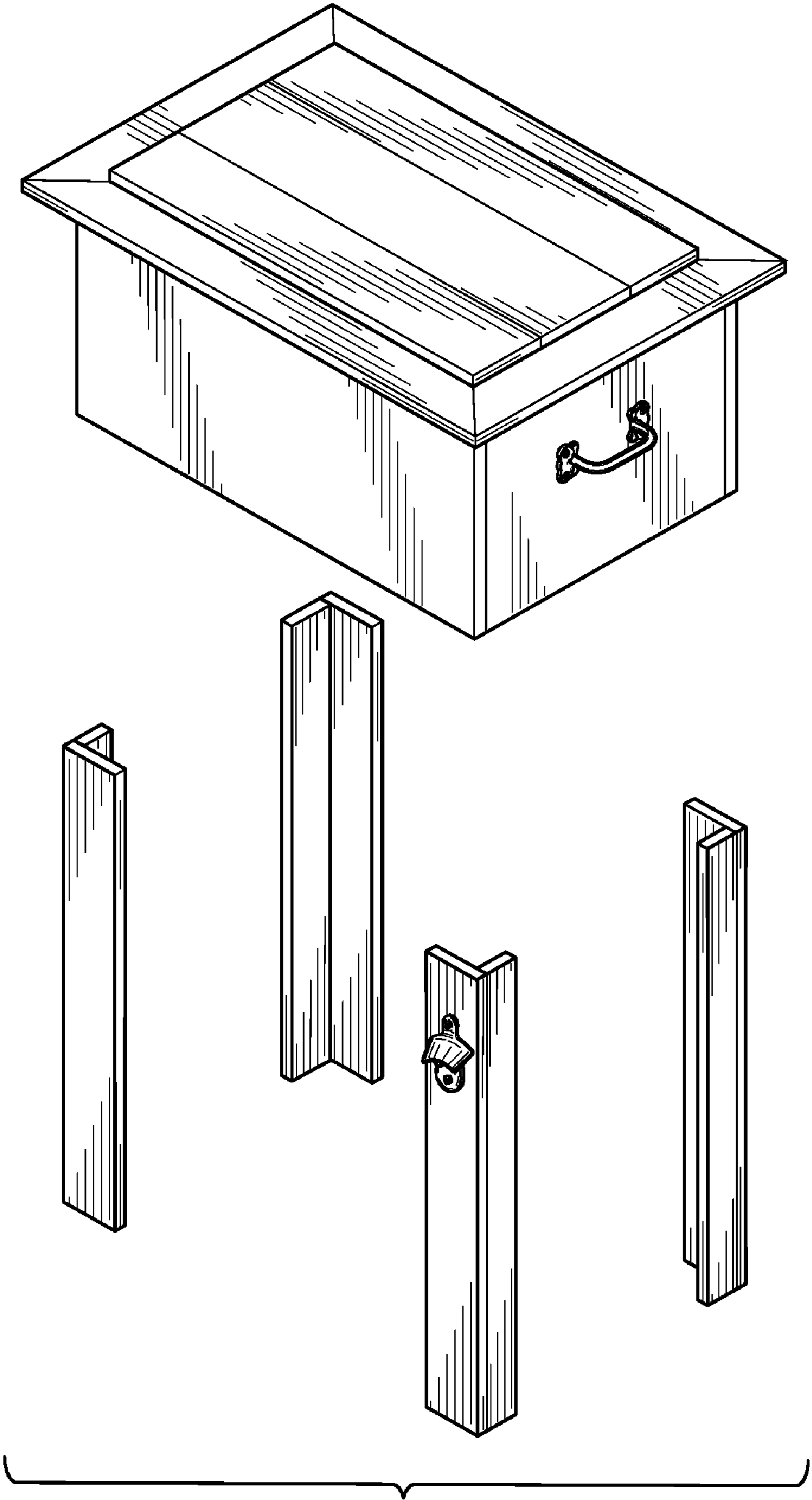


FIG. 9