



US00D347481S

United States Patent [19]

[11] Patent Number: **Des. 347,481**

Ashley et al.

[45] Date of Patent: **** May 31, 1994**

[54] **DEER STAND**

[76] Inventors: **Jimmy Ashley**, 305 W. Albemarle St., Edenton, N.C. 27932; **Thomas E. Graham, Sr.**, P.O. Box 1727, Wilmington, N.C. 28406

[**] Term: **14 Years**

[21] Appl. No.: **837,336**

[22] Filed: **Feb. 18, 1992**

[52] U.S. Cl. **D25/62**

[58] Field of Search 182/187, 188, 133.6, 182/152, 115-116, 134, 155; D25/62, 64, 68-69

[56] **References Cited**

U.S. PATENT DOCUMENTS

D. 275,235	8/1984	Warren et al.	D25/62
D. 306,487	3/1990	Fowler, Jr.	D25/62
D. 306,488	3/1990	Mosburg	D25/62
4,316,526	2/1982	Amacker	182/187
4,953,662	9/1990	Porter	182/187
5,052,516	10/1991	Jamieson	182/187

Primary Examiner—A. Hugo Word

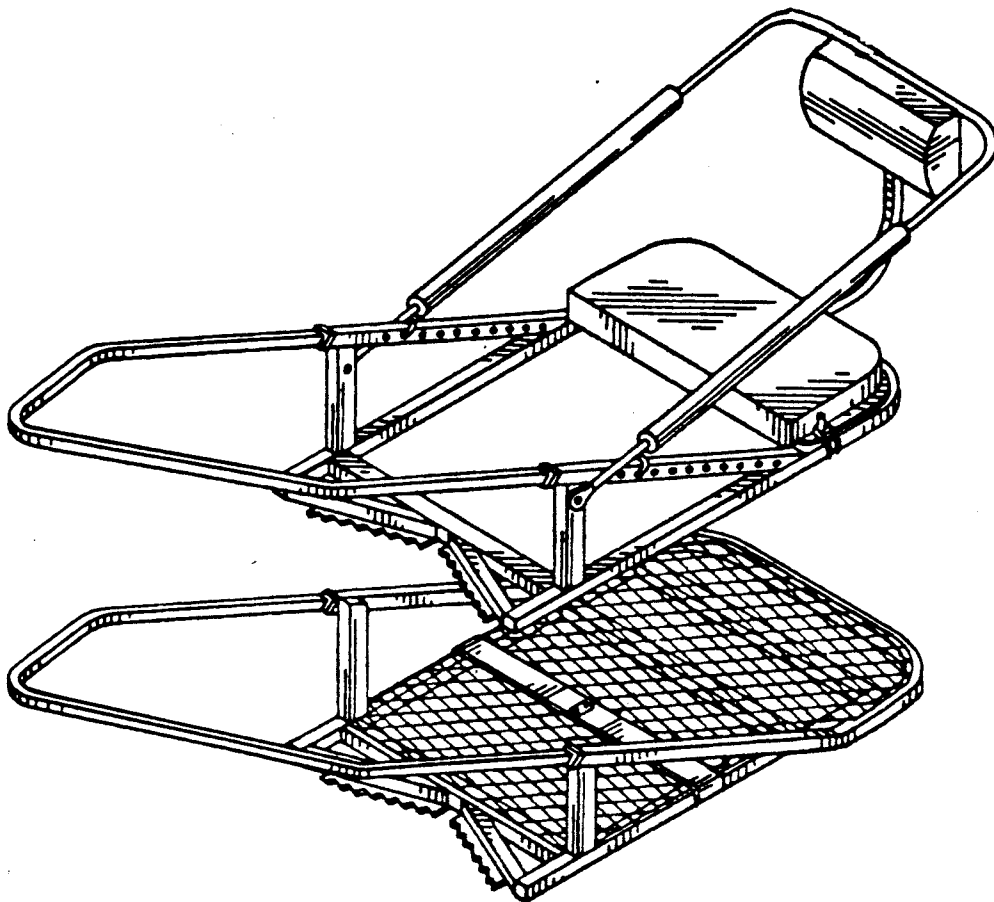
Assistant Examiner—Doris Clark
Attorney, Agent, or Firm—Clifton Ted Hunt

[57] **CLAIM**

The ornamental design for a deer stand, as shown and described.

DESCRIPTION

FIG. 1 is a right side perspective view of a deer stand showing our new design;
 FIG. 2 is a left side perspective view with the back rest removed and the moveable seat shown at the opposite end of that in FIG. 1;
 FIG. 3 is a bottom plan view of the lower platform shown in FIG. 1;
 FIG. 4 is a bottom plan view of the upper member with the moveable seat;
 FIG. 5 is a bottom plan view of the upper member showing the seat moved to the opposite end;
 FIG. 6 is a top plan view of the seat shown in FIG. 1;
 FIG. 7 is a bottom plan view thereof;
 FIG. 8 is a perspective view of the back rest member shown in FIG. 1; and,
 FIG. 9 is a fragmentary perspective view of a silencer sleeve.



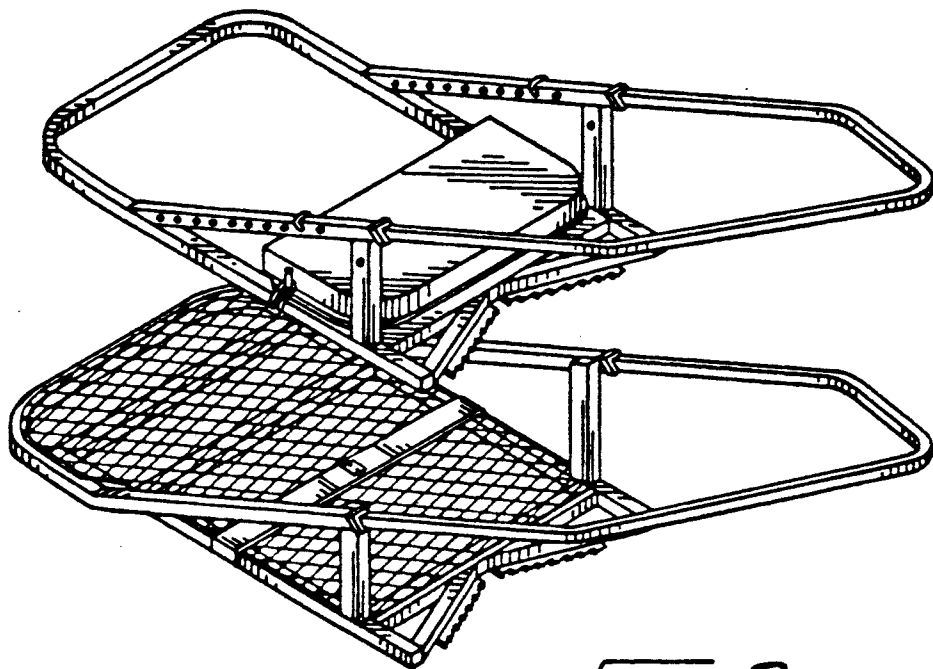
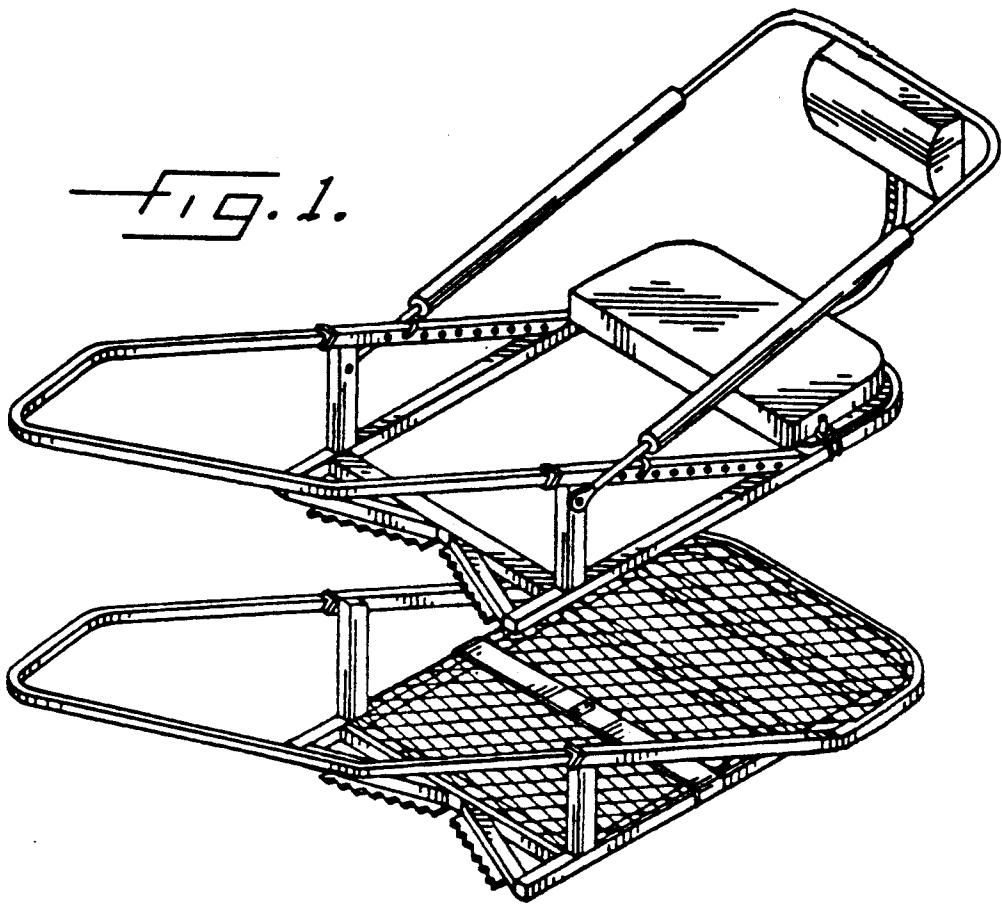


FIG. 2.

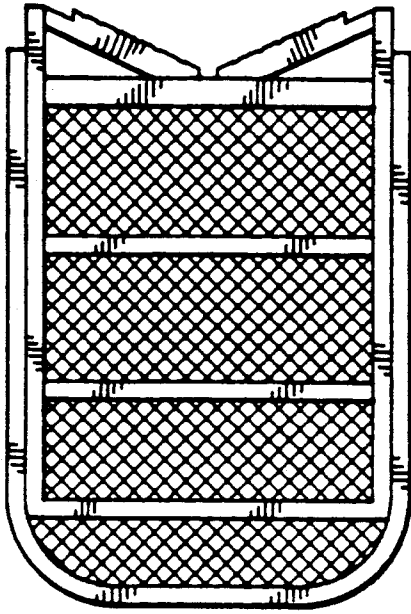


FIG. 3.

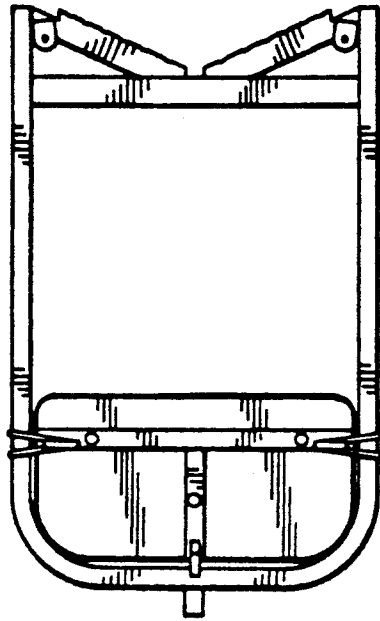


FIG. 4.

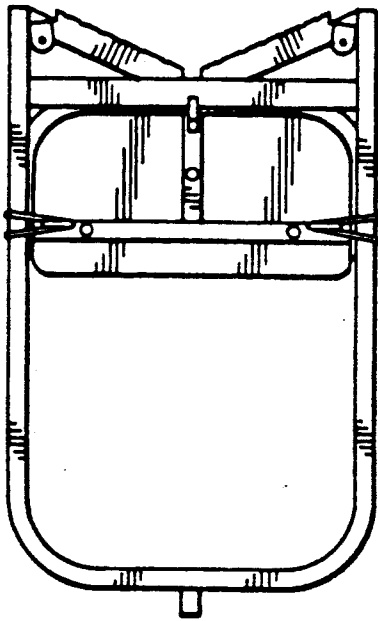


FIG. 5.

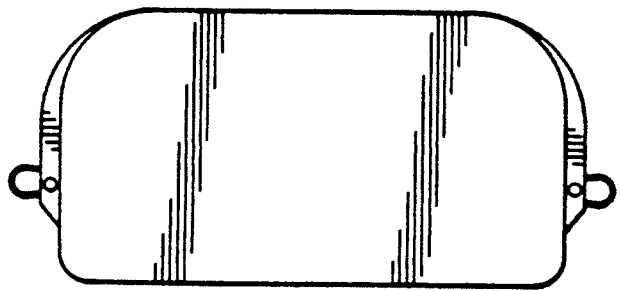


FIG. 6.

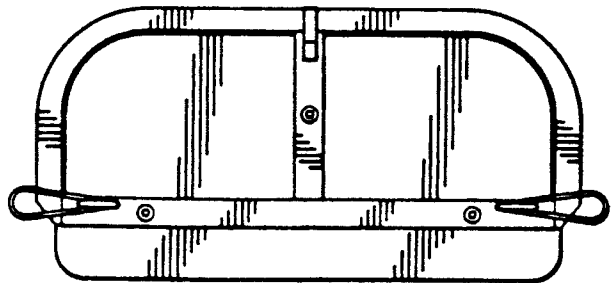


FIG. 7.

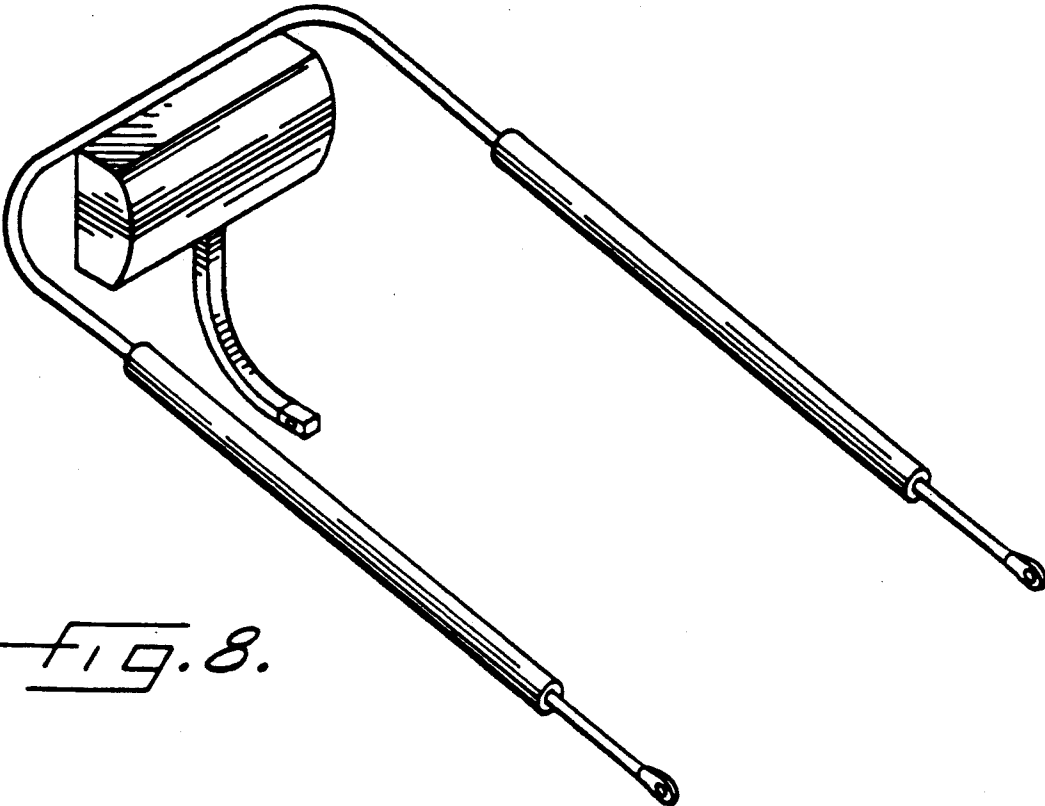


FIG. 8.

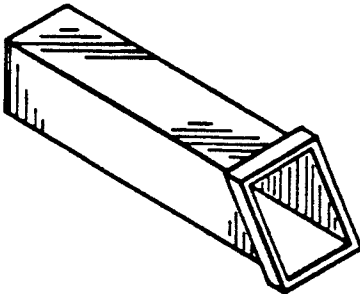


FIG. 9.