



US00D684917S

(12) **United States Design Patent**
Williams

(10) **Patent No.:** **US D684,917 S**
(45) **Date of Patent:** **** Jun. 25, 2013**

- (54) **V-SHAPED BICYCLE CARRIER**
- (71) Applicant: **Marty Williams**, Colorado Springs, CO (US)
- (72) Inventor: **Marty Williams**, Colorado Springs, CO (US)
- (73) Assignee: **Marty Williams**, Colorado Springs, CO (US)

- (**) Term: **14 Years**
- (21) Appl. No.: **29/439,822**
- (22) Filed: **Dec. 14, 2012**

Related U.S. Application Data

- (63) Continuation-in-part of application No. 11/697,294, filed on Apr. 5, 2007.
- (51) **LOC (9) Cl.** **12-11**
- (52) **U.S. Cl.**
USPC **D12/408**
- (58) **Field of Classification Search**
USPC D12/406-408, 412, 414, 111; 224/42.11, 224/42.12, 329, 331, 400, 412, 419, 451, 224/461, 488, 489, 495, 497, 499, 500, 502, 224/504, 511-537, 314, 924
See application file for complete search history.

(56) **References Cited**

U.S. PATENT DOCUMENTS

- 5,228,607 A * 7/1993 Tolsdorf 224/520
- 5,950,892 A * 9/1999 Tsai 224/520

- 6,971,565 B2 * 12/2005 Wang 224/497
- 7,000,814 B2 * 2/2006 Wang 224/520
- 7,290,670 B2 * 11/2007 Huang 211/17
- D623,117 S * 9/2010 Farber D12/408
- 7,815,083 B2 * 10/2010 Clausen et al. 224/501
- D635,087 S * 3/2011 Flaherty et al. D12/408
- D656,456 S * 3/2012 Tinstman et al. D12/408
- D663,676 S * 7/2012 Loken et al. D12/408
- D672,704 S * 12/2012 Grago D12/408
- 2011/0240700 A1 * 10/2011 Williams 224/518

* cited by examiner

Primary Examiner — Susan M Lee

Assistant Examiner — Linda G Brooks

(74) *Attorney, Agent, or Firm* — Tracy M. Heims; Apex Juris, pllc

(57) **CLAIM**

The ornamental design for a V-shaped bicycle carrier, as shown and described.

DESCRIPTION

FIG. 1 is an elevated angled view of the V-shaped bicycle carrier.

FIG. 2 is an exploded view of the V-shaped bicycle carrier components.

FIG. 3 is a front view of the V-shaped bicycle carrier with a bicycle attached thereto.

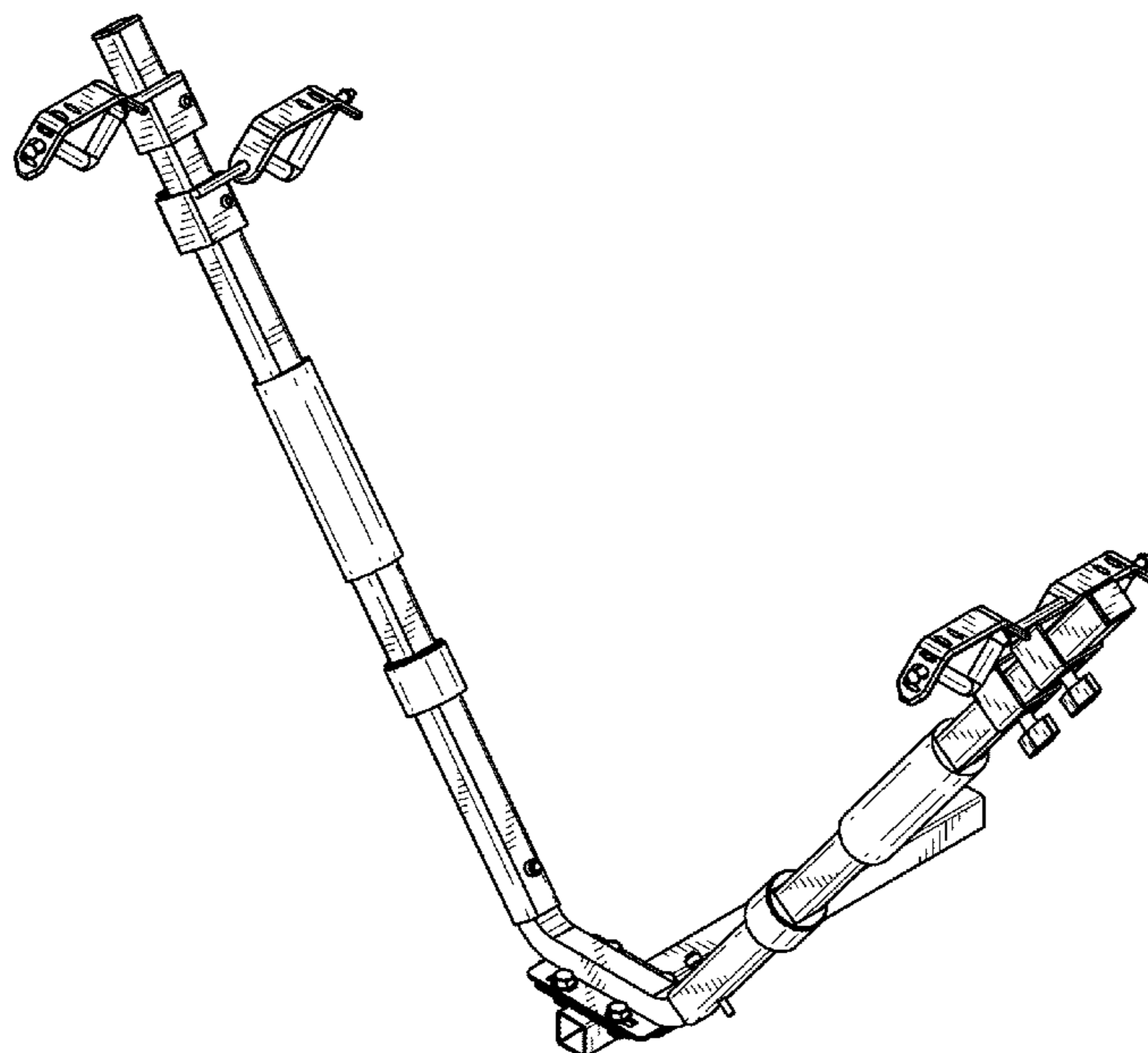
FIG. 4 is a back side view of the V-shaped bicycle carrier.

FIG. 5 is a front side view of the V-shaped bicycle carrier.

FIG. 6 is a side view of the V-shaped bicycle carrier.

FIG. 7 is a top view of the V-shaped bicycle carrier; and, FIG. 8 is a bottom side view of the V-shaped bicycle carrier. The broken lines illustrate unclaimed environmental structure.

1 Claim, 8 Drawing Sheets



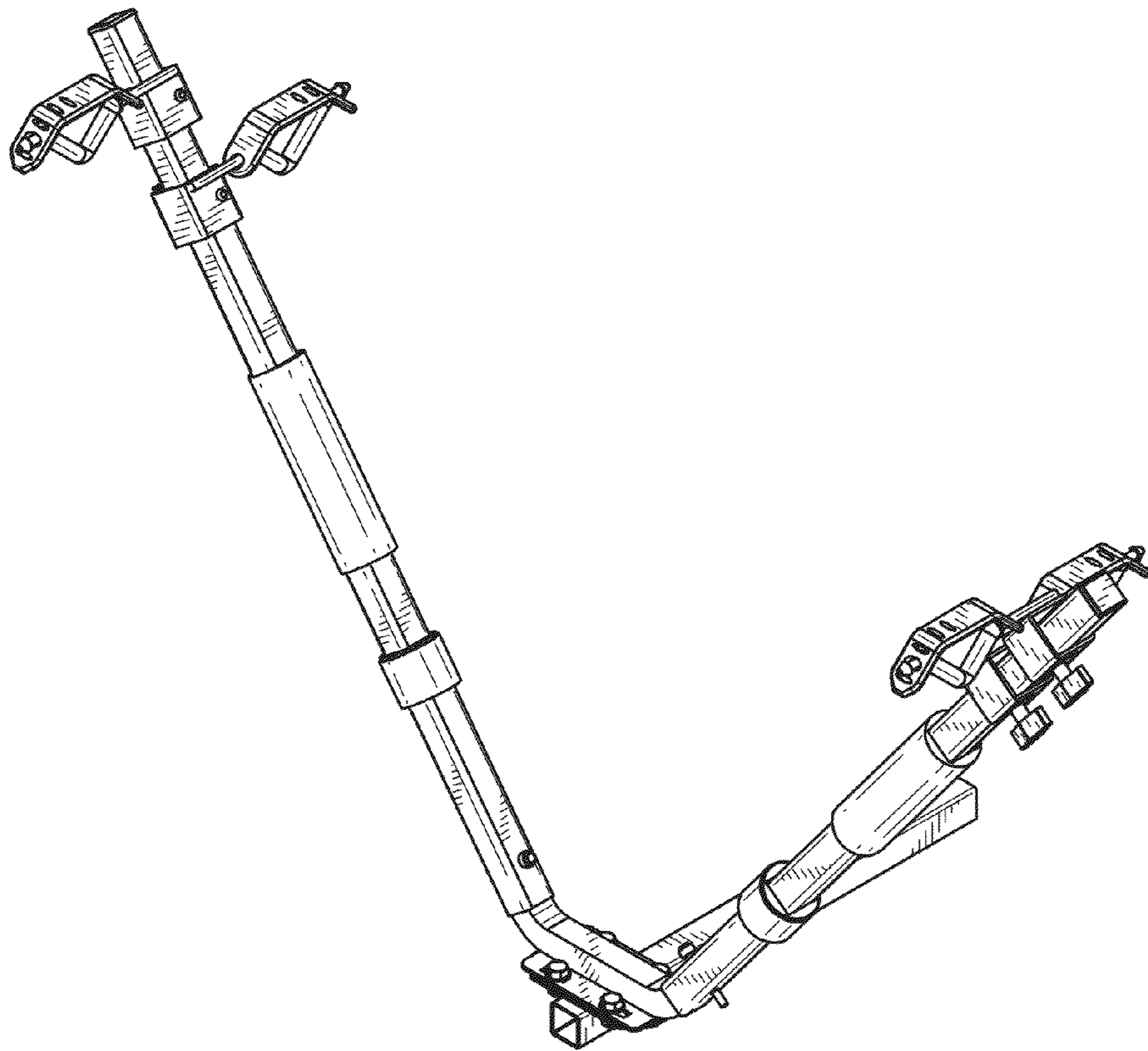


FIG. 1

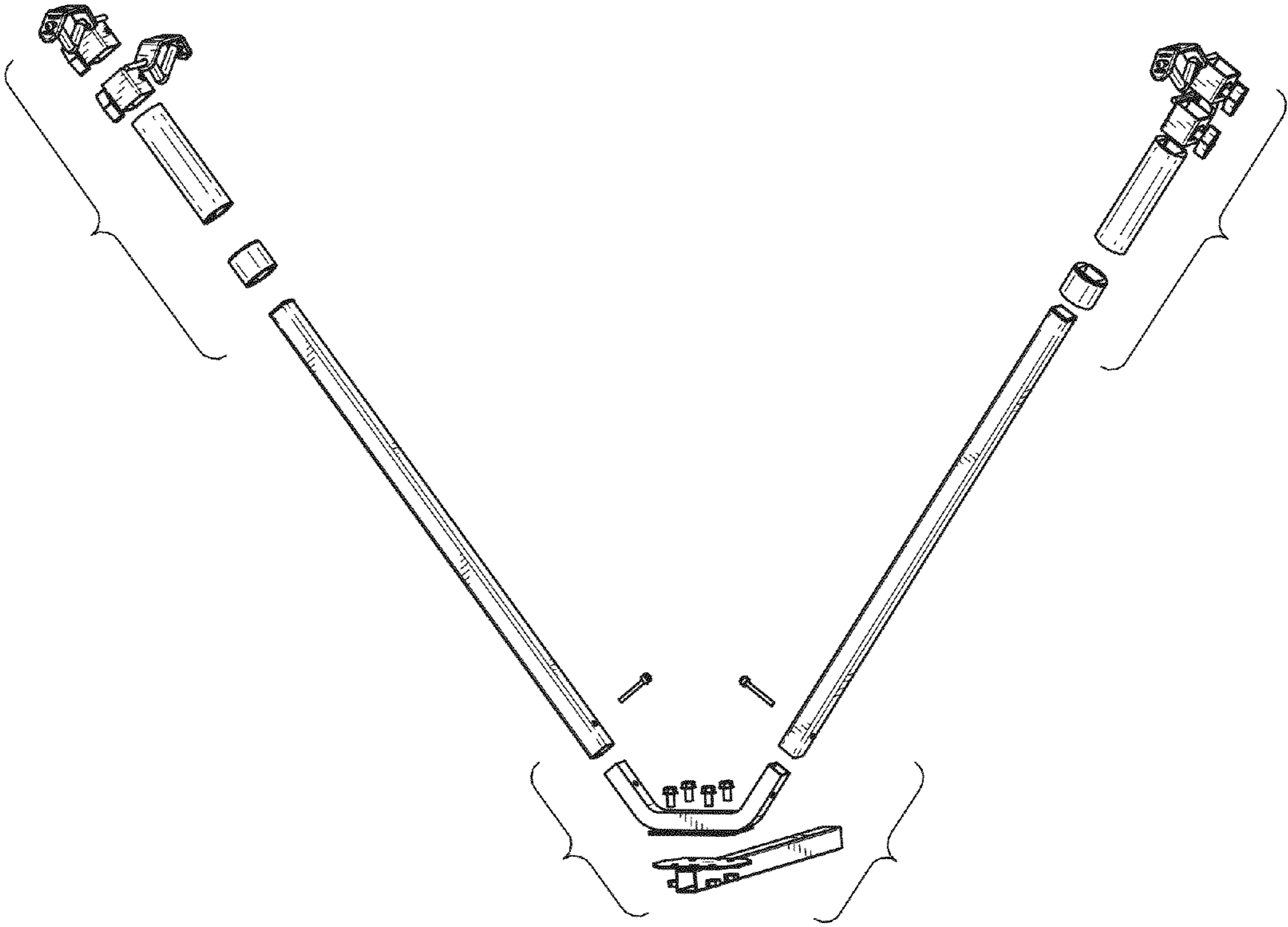


FIG. 2

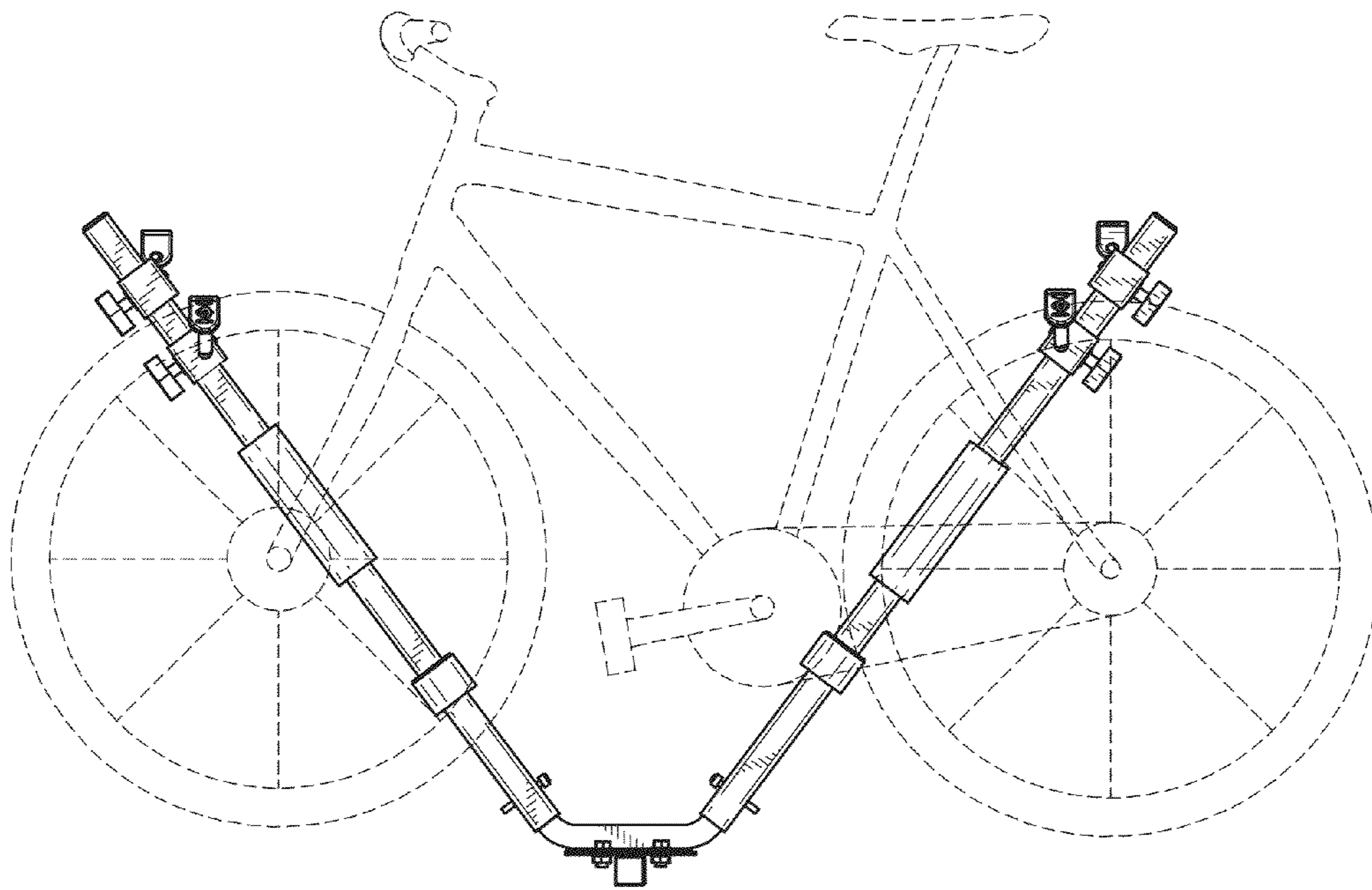


FIG. 3

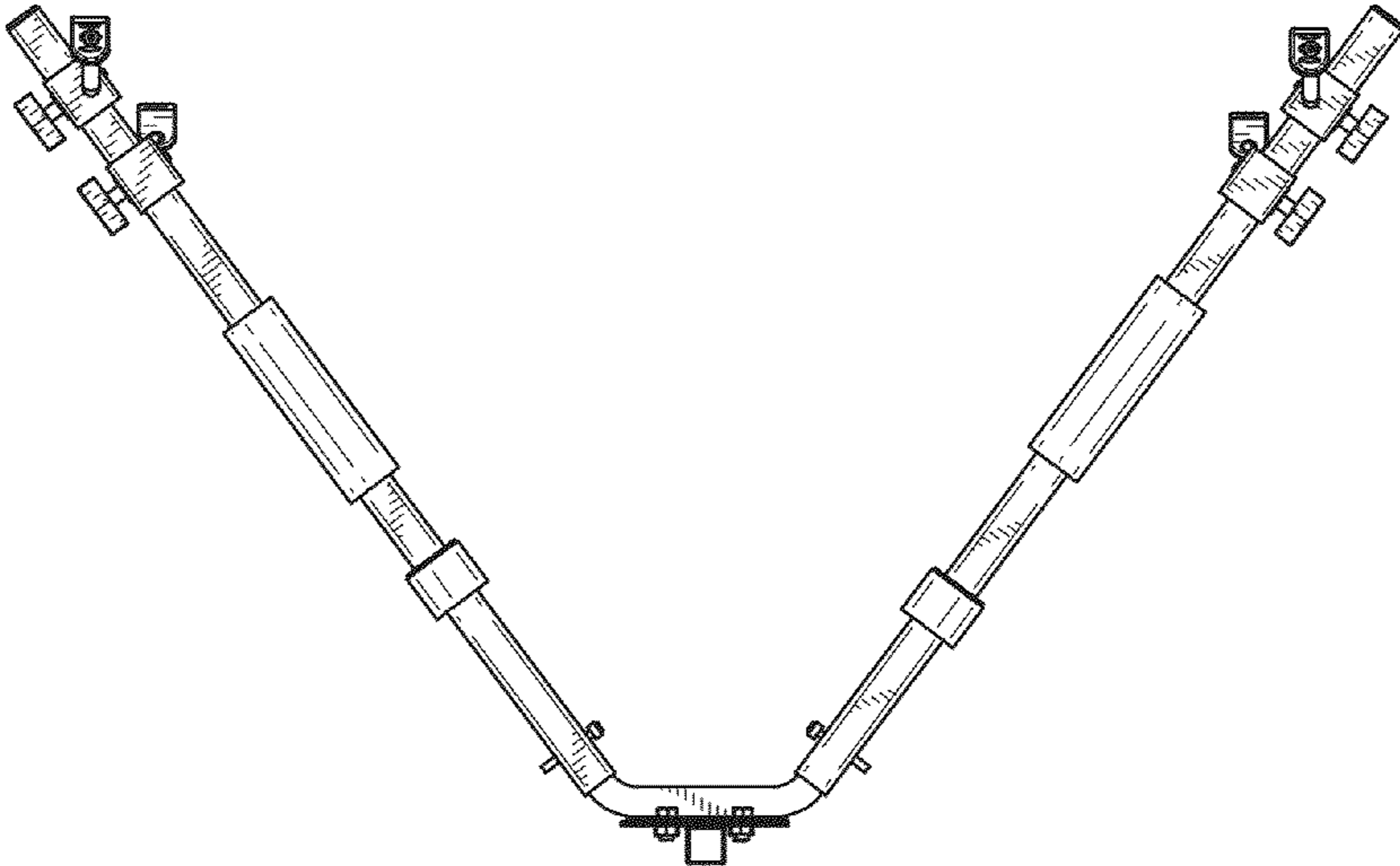


FIG. 4

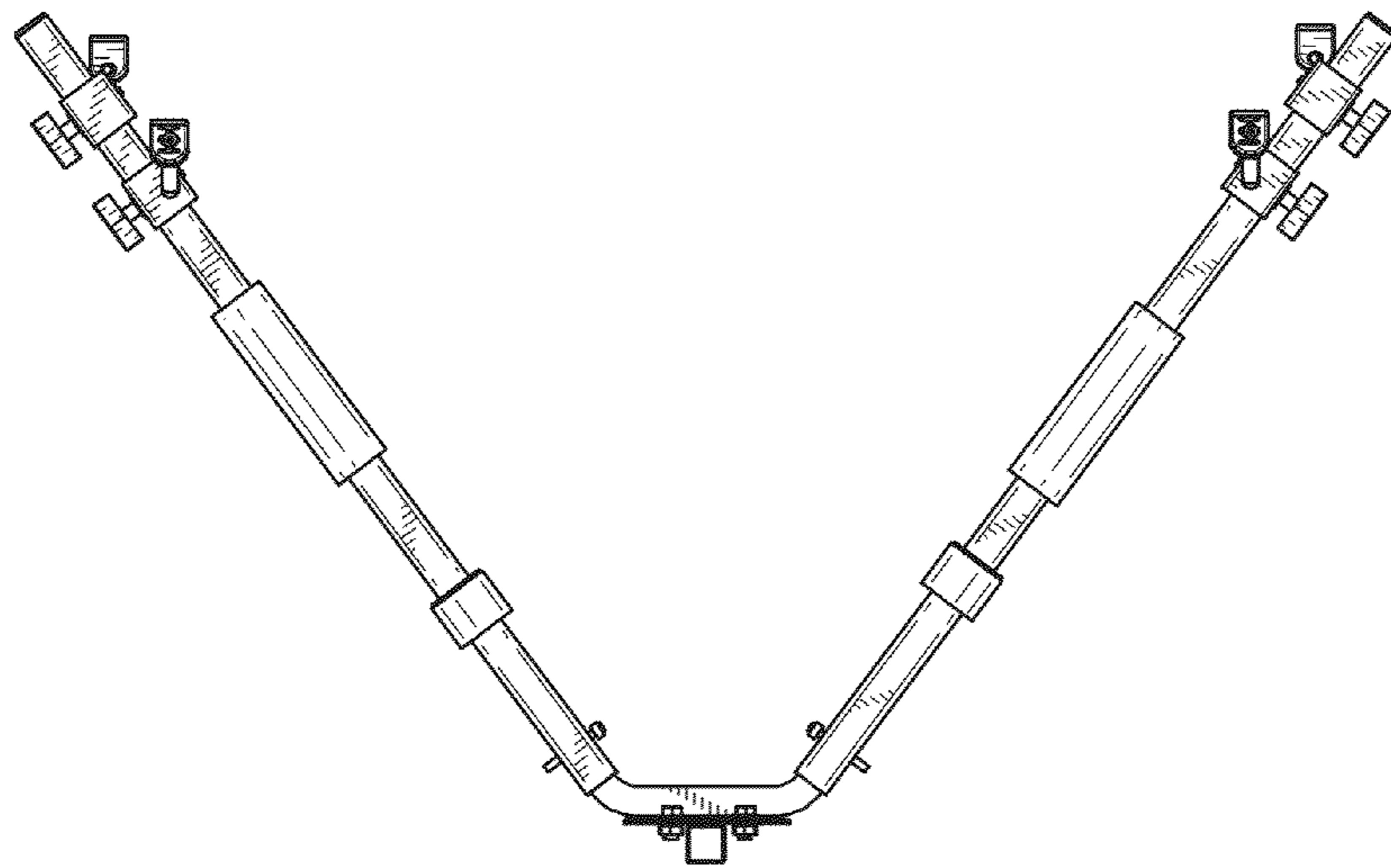


FIG. 5

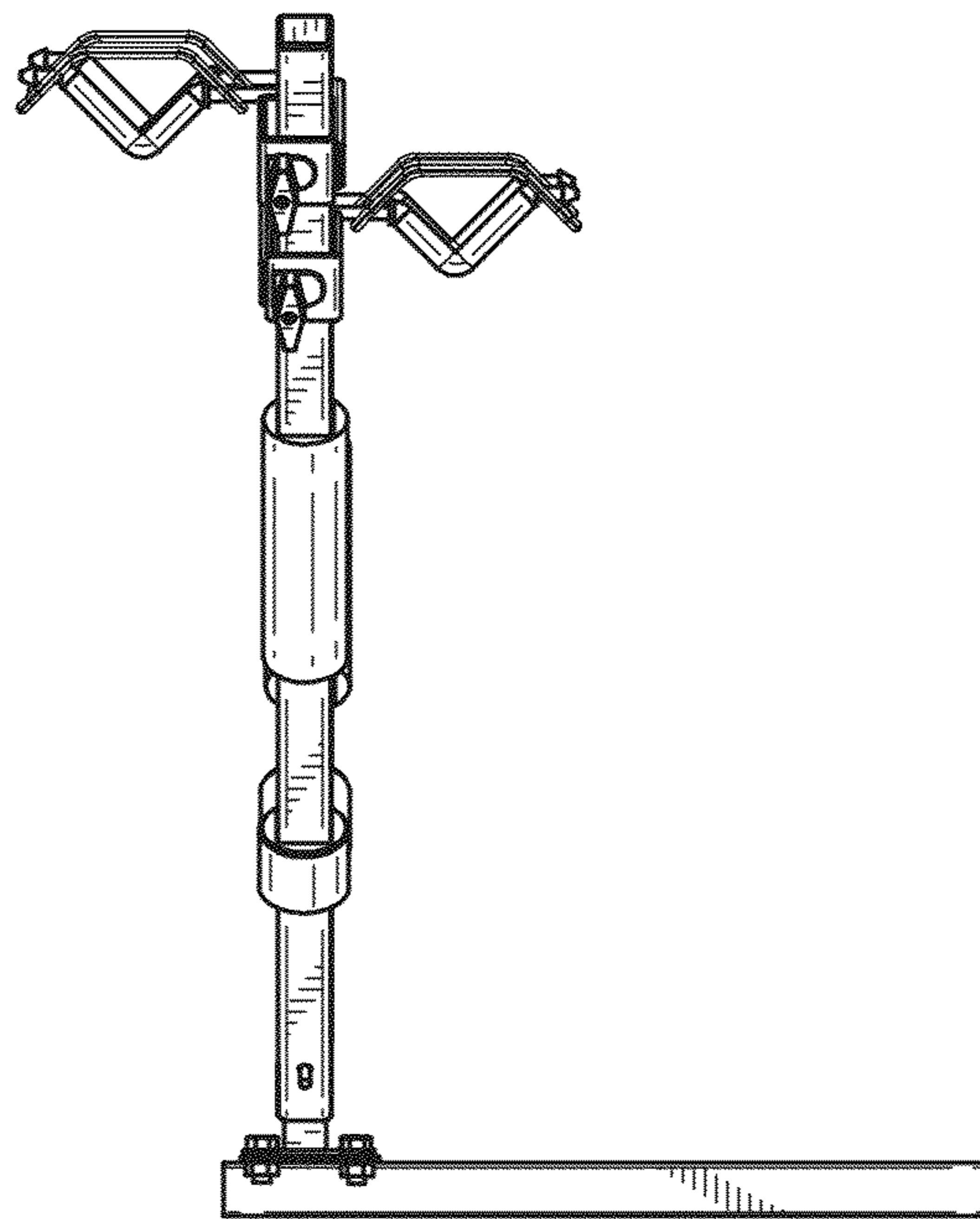


FIG. 6

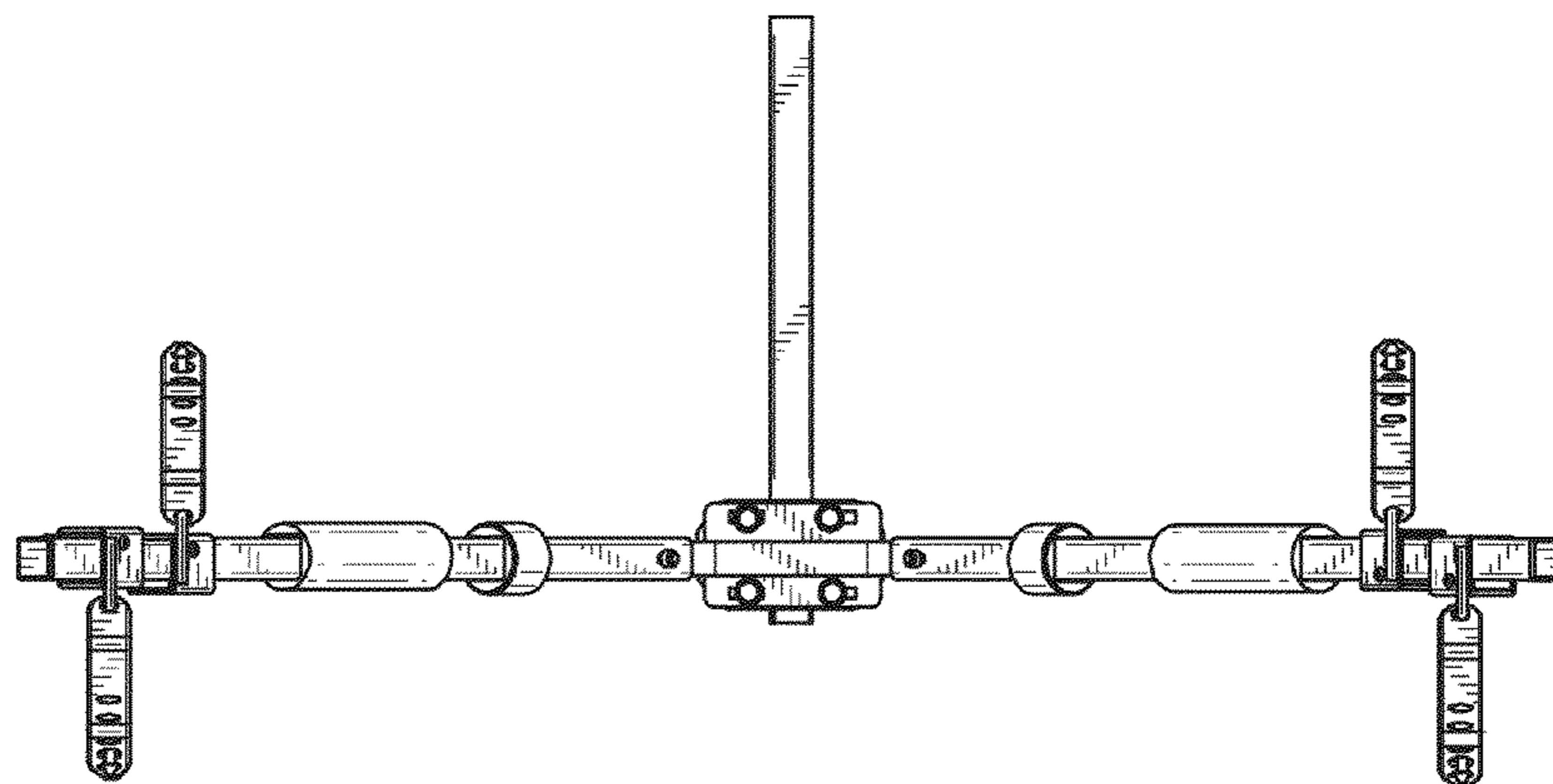


FIG. 7

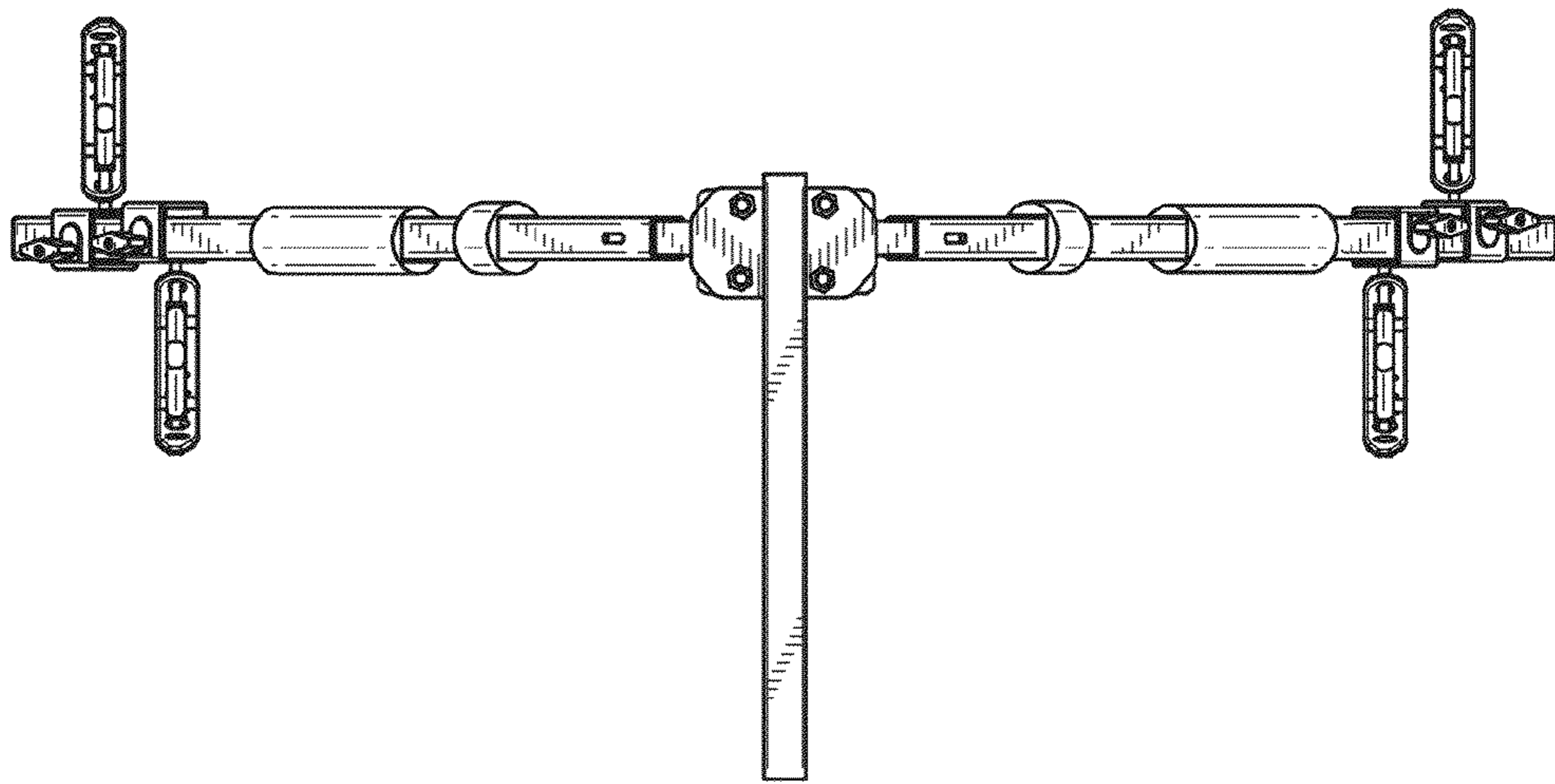


FIG. 8