



US00D623672S

(12) **United States Design Patent**
Francis et al.

(10) **Patent No.:** **US D623,672 S**
(45) **Date of Patent:** **** *Sep. 14, 2010**

(54) **MOUNTING BRACKET AND RAIL FOR PORTABLE TOOL STAND**

2005/0098232 A1* 5/2005 Logan 144/287
* cited by examiner

(75) Inventors: **Marc Francis**, Blaxland (AU); **Timothy Hewitt**, Pleasant Ridge, MI (US); **Michael Ursell**, Beverly Hills, MI (US)

Primary Examiner—Sandra Snapp
Assistant Examiner—Patricia Palasik
(74) *Attorney, Agent, or Firm*—Dickinson Wright, PLLC; William H. Honaker

(73) Assignee: **HTC Products, Inc.**, Royal Oak, MI (US)

(57) **CLAIM**

(*) Notice: This patent is subject to a terminal disclaimer.

The ornamental design for a mounting bracket and rail for portable tool stand, as shown and described.

(**) Term: **14 Years**

DESCRIPTION

(21) Appl. No.: **29/242,615**

FIG. 1 is a perspective view of the mounting brackets and rail of the present invention.

(22) Filed: **Nov. 10, 2005**

FIG. 2 is a perspective view of the mounting brackets and rail of the present invention.

(51) **LOC (9) Cl.** **15-09**

(52) **U.S. Cl.** **D15/141**

(58) **Field of Classification Search** D15/133, D15/134, 140, 141; 83/471.1–471.3, 477.2; 144/285, 286.1–286.5, 287

FIG. 3 is a sectional view of the mounting bracket and rail of the present invention taken along line 3—3 of FIG. 2.

See application file for complete search history.

FIG. 4 is a side view of the mounting bracket and rail of the present invention.

FIG. 5 is an end view of the mounting bracket and rail of the present invention; and,

FIG. 6 is a top view of the mounting bracket and rail of the present invention.

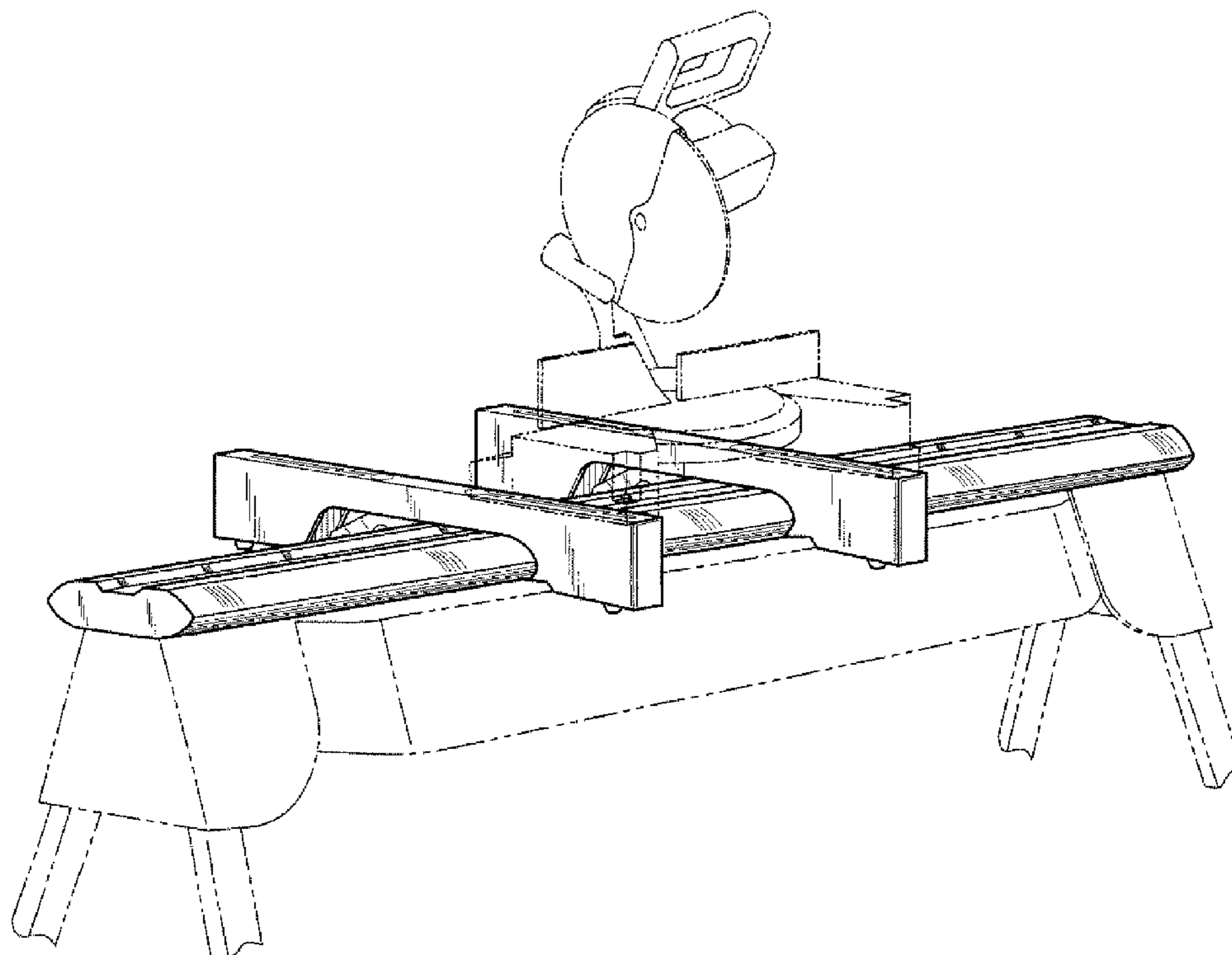
The phantom broken lines shown are for illustrative purposes only and form no part of the claimed design. The rail is of indeterminate length.

(56) **References Cited**

U.S. PATENT DOCUMENTS

5,473,968	A *	12/1995	Break et al.	83/471.3
5,526,856	A *	6/1996	Pedri	144/287
5,921,301	A *	7/1999	Quiram et al.	144/329
6,070,696	A *	6/2000	Chubb et al.	182/227
6,745,804	B2 *	6/2004	Welsh et al.	144/287

1 Claim, 2 Drawing Sheets



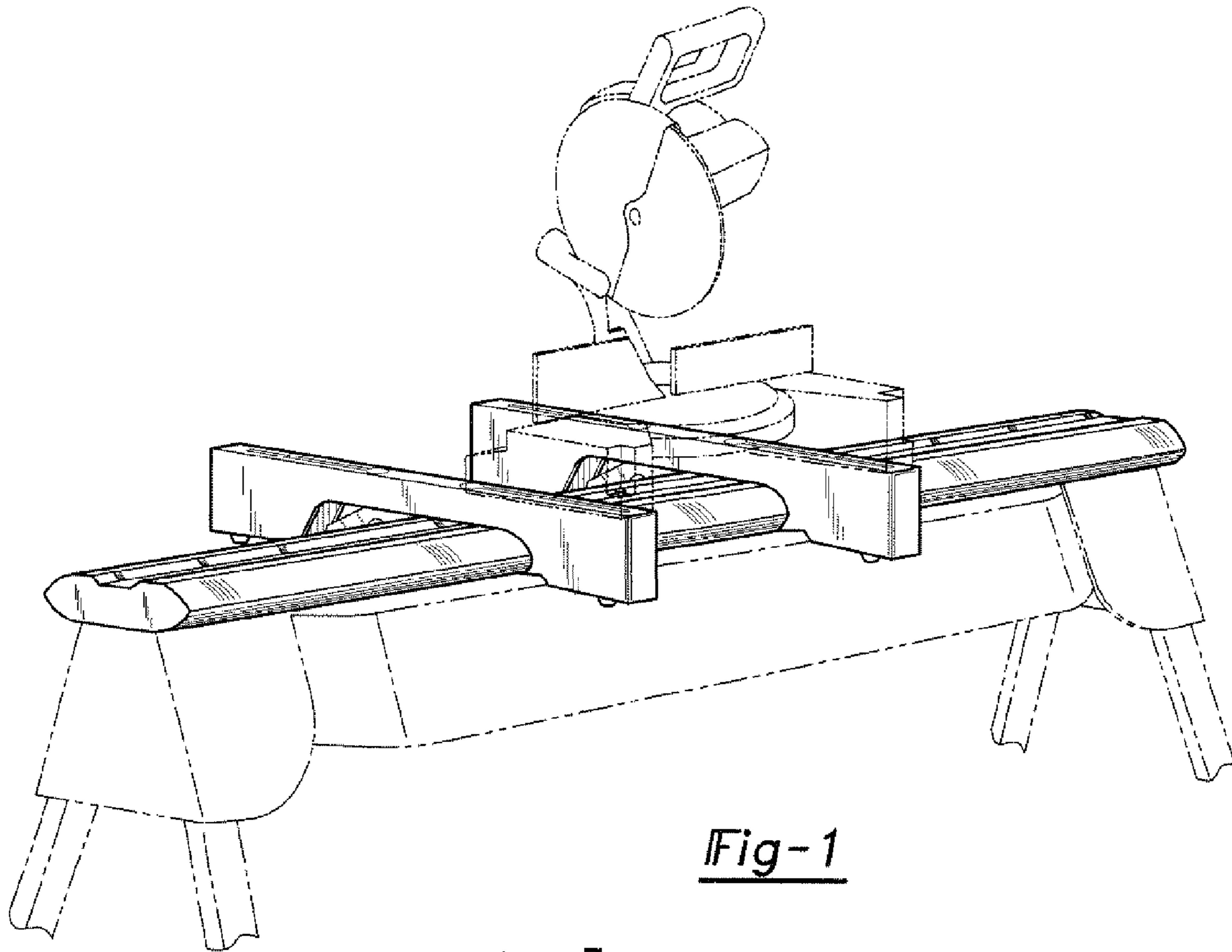


Fig-1

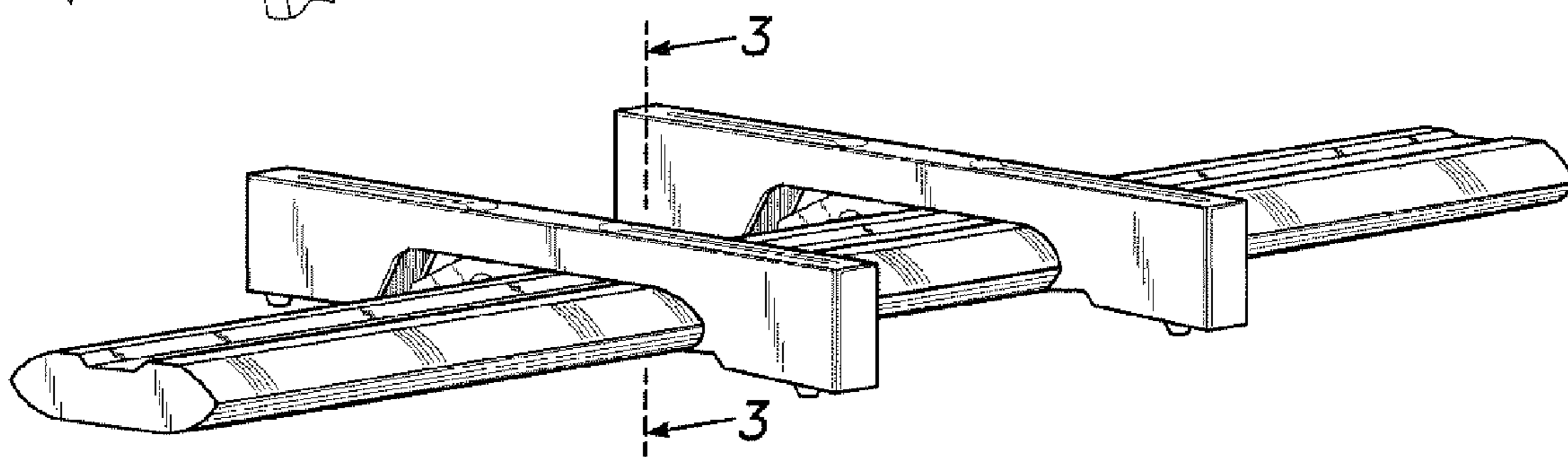


Fig-2

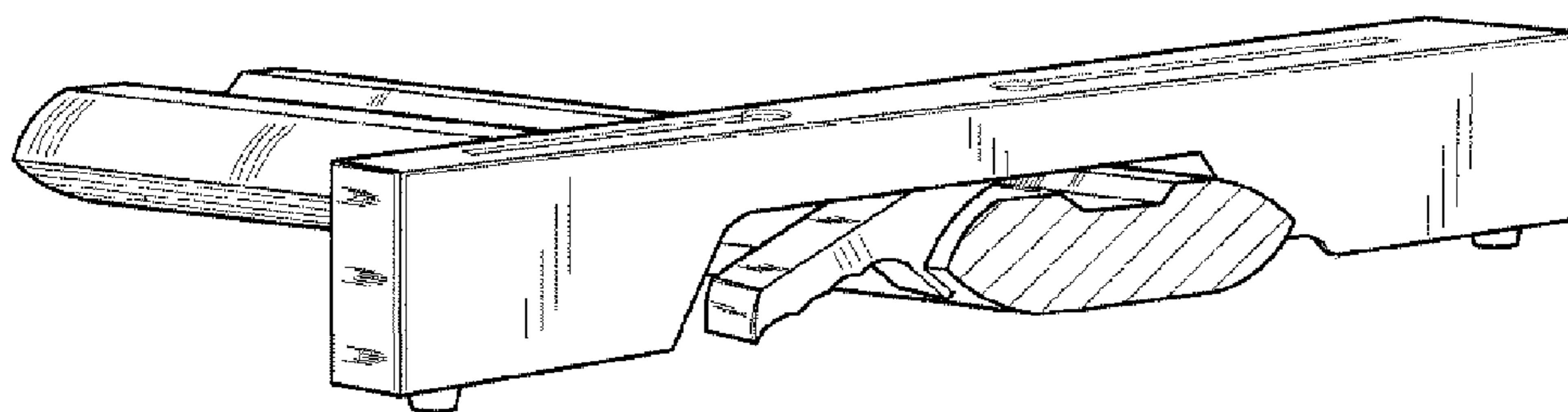


Fig-3

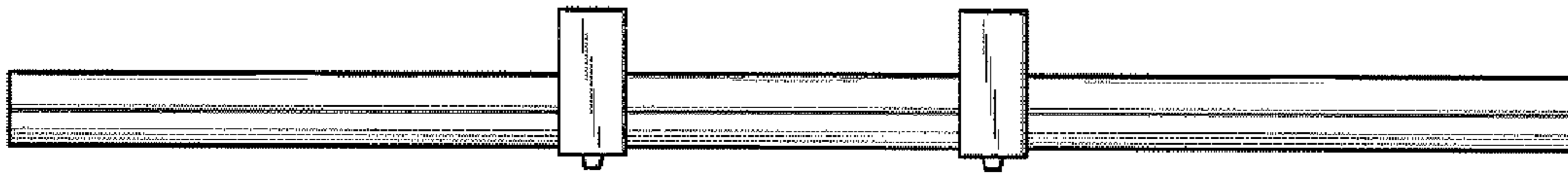


Fig-4

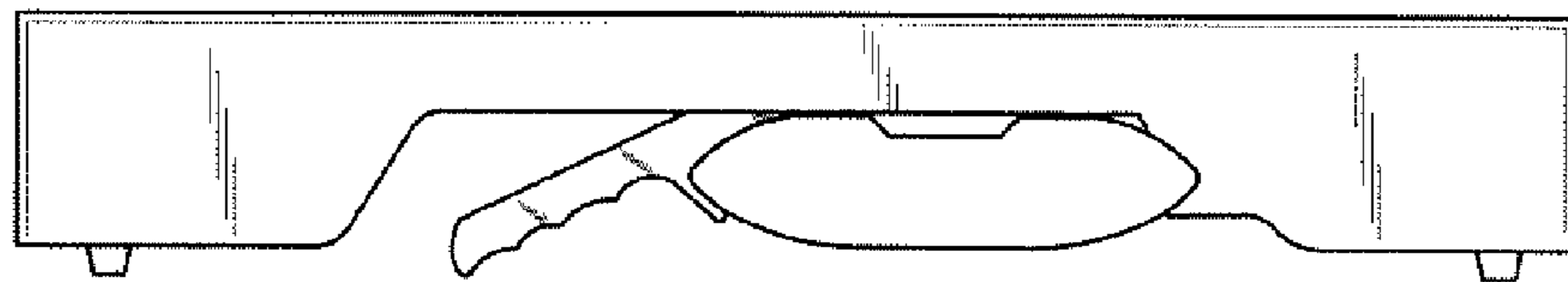


Fig-5

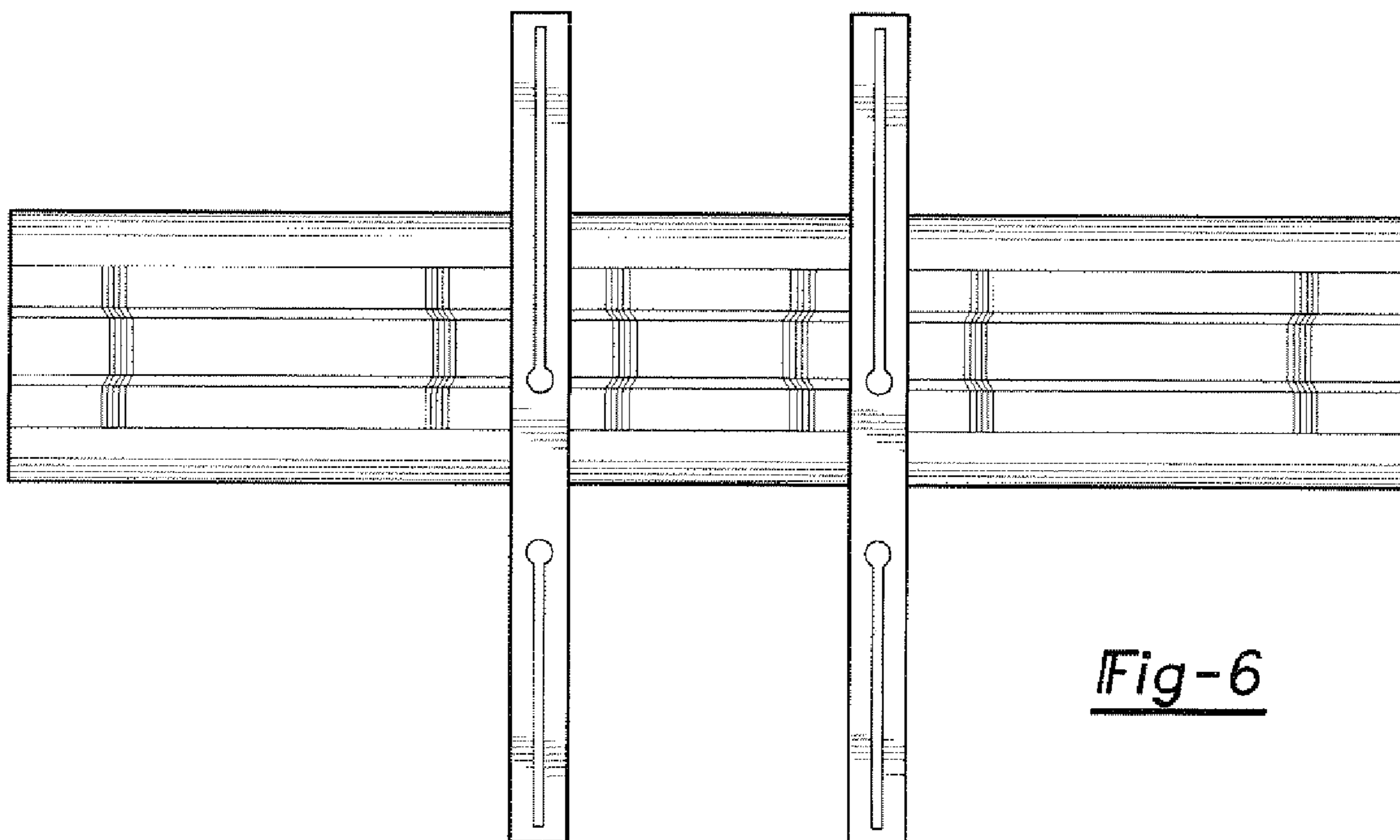


Fig-6