



US00D863606S

(12) **United States Design Patent** (10) **Patent No.:** **US D863,606 S**  
**Ou** (45) **Date of Patent:** **\*\* Oct. 15, 2019**

(54) **LAMP BEAD**

(71) Applicant: **Fengxiong Ou**, Guangdong (CN)

(72) Inventor: **Fengxiong Ou**, Guangdong (CN)

(\*\*) Term: **15 Years**

(21) Appl. No.: **29/624,639**

(22) Filed: **Nov. 2, 2017**

(51) **LOC (12) Cl.** ..... **26-04**

(52) **U.S. Cl.**  
USPC ..... **D26/1**

(58) **Field of Classification Search**

USPC ..... D26/1-4  
CPC ..... H01R 5/00; H01R 13/46; H01R 13/514;  
H01R 31/048; H01R 31/02; H01J 5/00;  
H01J 5/16; H01J 1/02; H01J 15/00; H01J  
5/48; H01J 5/50; H01J 19/54; F21V 5/00;  
F21K 9/00; F21K 13/00; F21K 9/13;  
F21K 9/135; F21K 9/1375

See application file for complete search history.

(56) **References Cited**

U.S. PATENT DOCUMENTS

D594,576 S \* 6/2009 Chan ..... D26/1  
D663,048 S \* 7/2012 Chen ..... D26/1  
D703,841 S \* 4/2014 Feng ..... D26/1  
D720,307 S \* 12/2014 Freeman ..... D13/180

\* cited by examiner

*Primary Examiner* — Marcus A Jackson

(57) **CLAIM**

The ornamental design for a lamp bead, as shown and described.

**DESCRIPTION**

FIG. 1 is a first perspective view of a lamp bead according to a first embodiment (“Example 1”) showing my new design;

FIG. 2 is a second perspective view of the lamp bead according to Example 1;

FIG. 3 is a front elevational view of the lamp bead according to Example 1;

FIG. 4 is a rear elevational view of the lamp bead according to Example 1;

FIG. 5 is a left side view of the lamp bead according to Example 1;

FIG. 6 is a right side view of the lamp bead according to Example 1;

FIG. 7 is a top plan view of the lamp bead according to Example 1;

FIG. 8 is a bottom plan view of the lamp bead according to Example 1;

FIG. 9 is a perspective view of a string light comprising three lamp beads according to Example 1 which are connected in series;

FIG. 10 is a first perspective view of a lamp bead according to a second embodiment (“Example 2”) showing my new design;

FIG. 11 is a second perspective view of the lamp bead according to Example 2;

FIG. 12 is a front elevational view of the lamp bead according to Example 2;

FIG. 13 is a rear elevational view of the lamp bead according to Example 2;

FIG. 14 is a left side view of the lamp bead according to Example 2;

FIG. 15 is a right side view of the lamp bead according to Example 2;

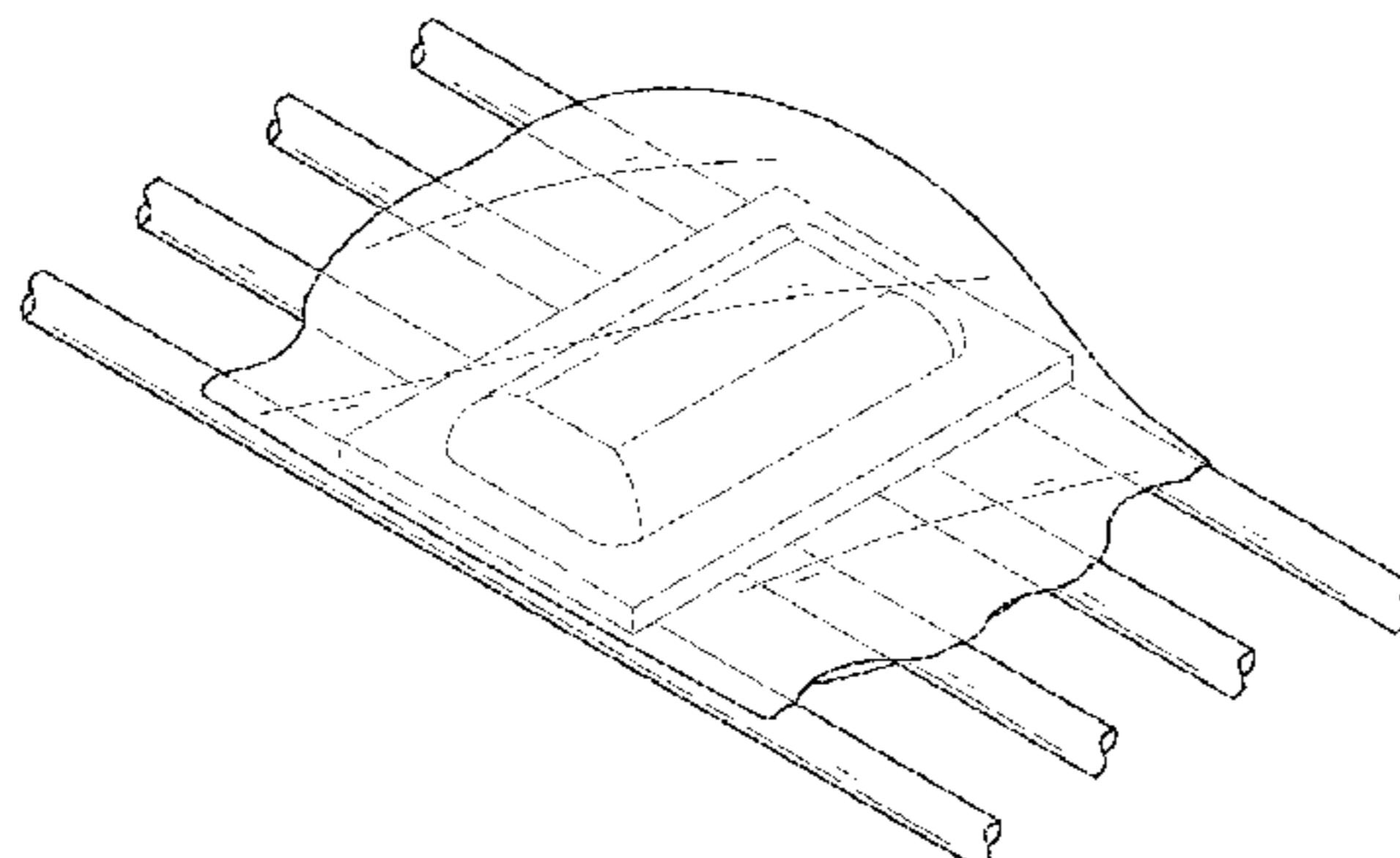
FIG. 16 is a top plan view of the lamp bead according to Example 2;

FIG. 17 is a bottom plan view of the lamp bead according to Example 2; and,

FIG. 18 is a perspective view of a string light comprising three lamp beads according to Example 2 which are connected in series.

The broken line portions are included to show unclaimed subject matter only and form no part of the claimed design.

**1 Claim, 18 Drawing Sheets**



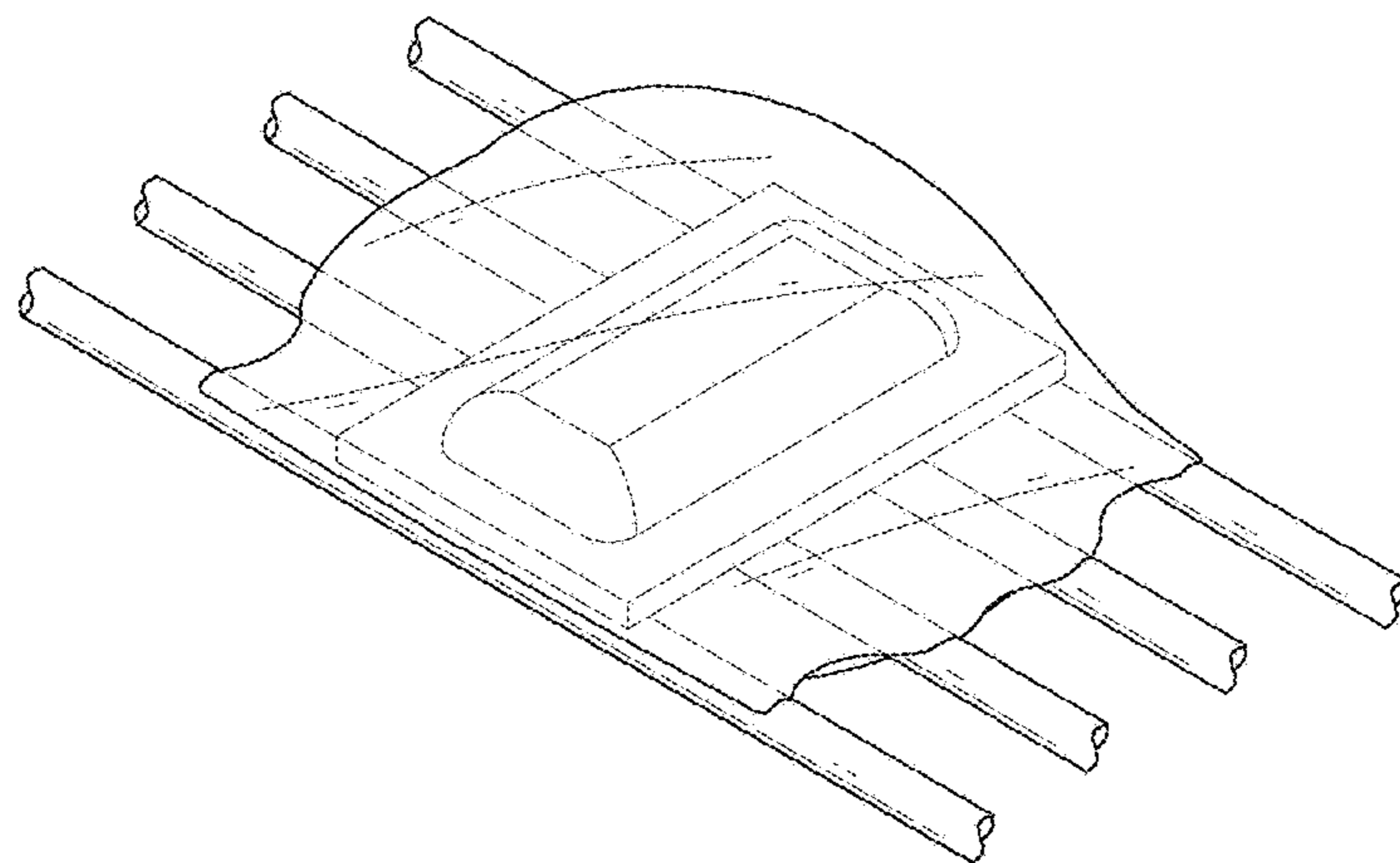


FIG.1

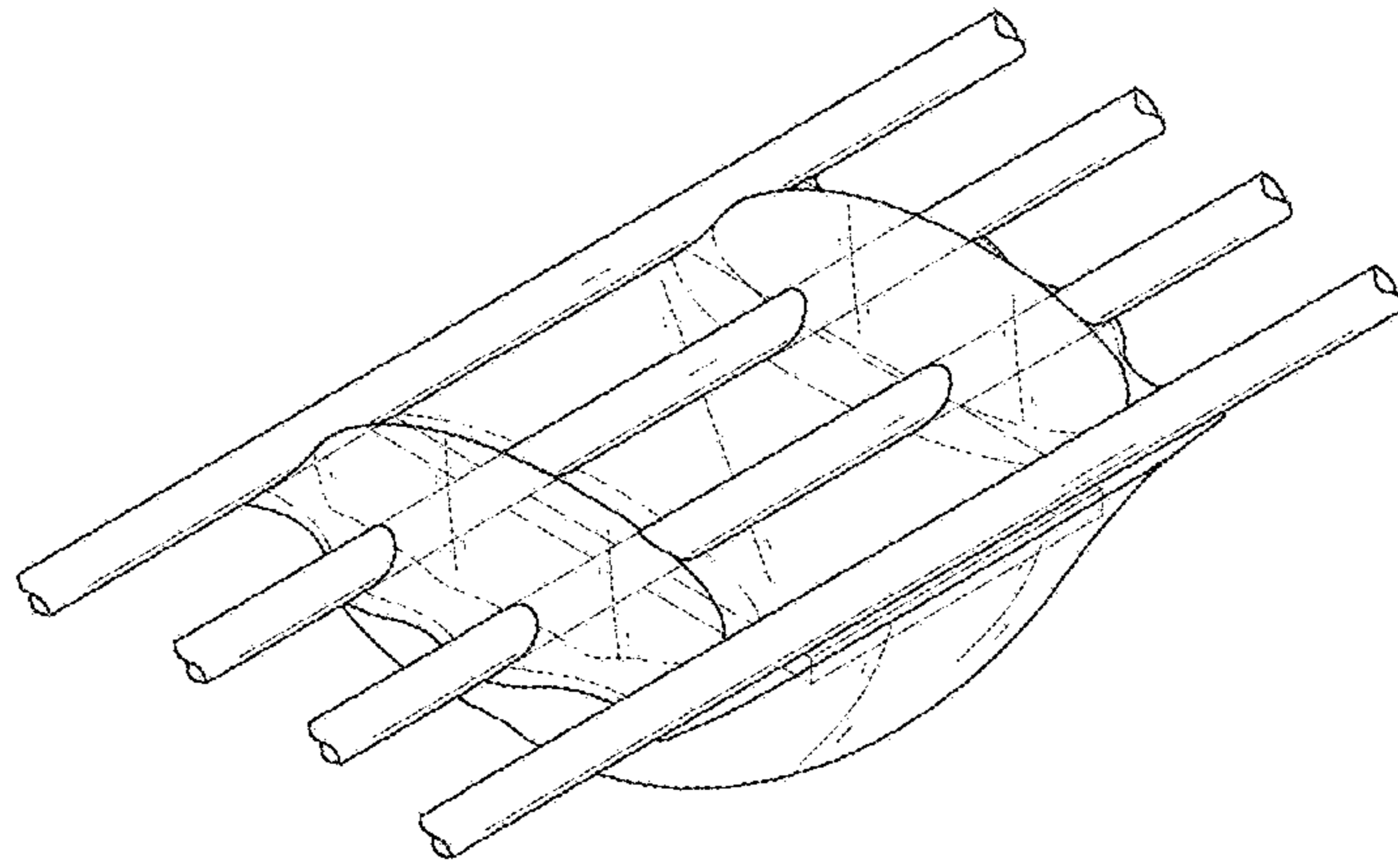


FIG.2

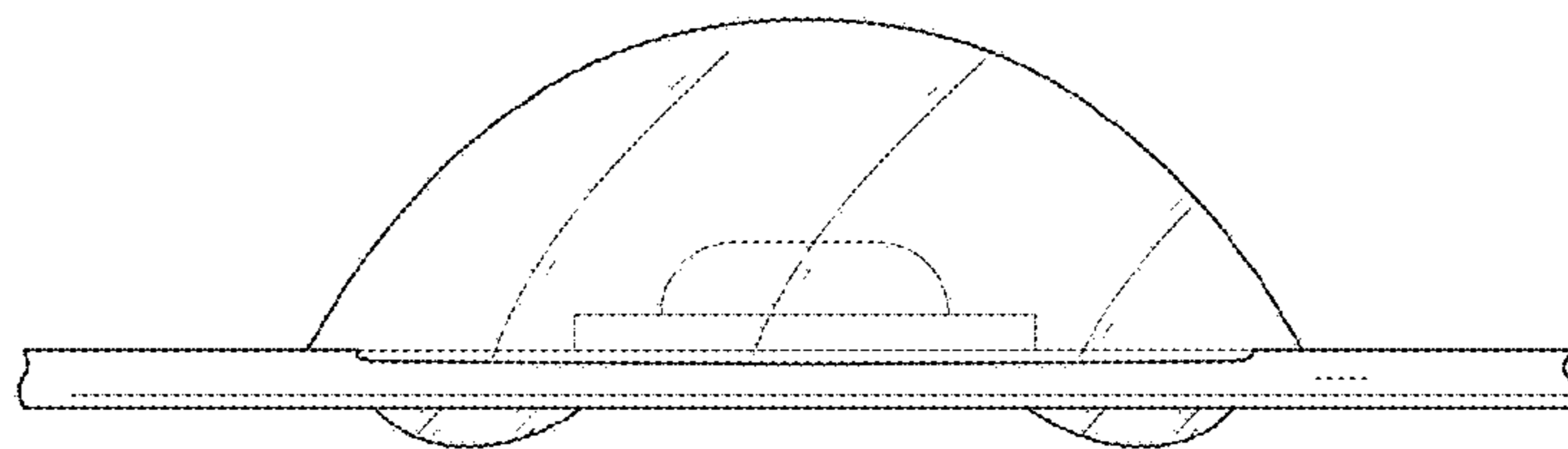


FIG.3

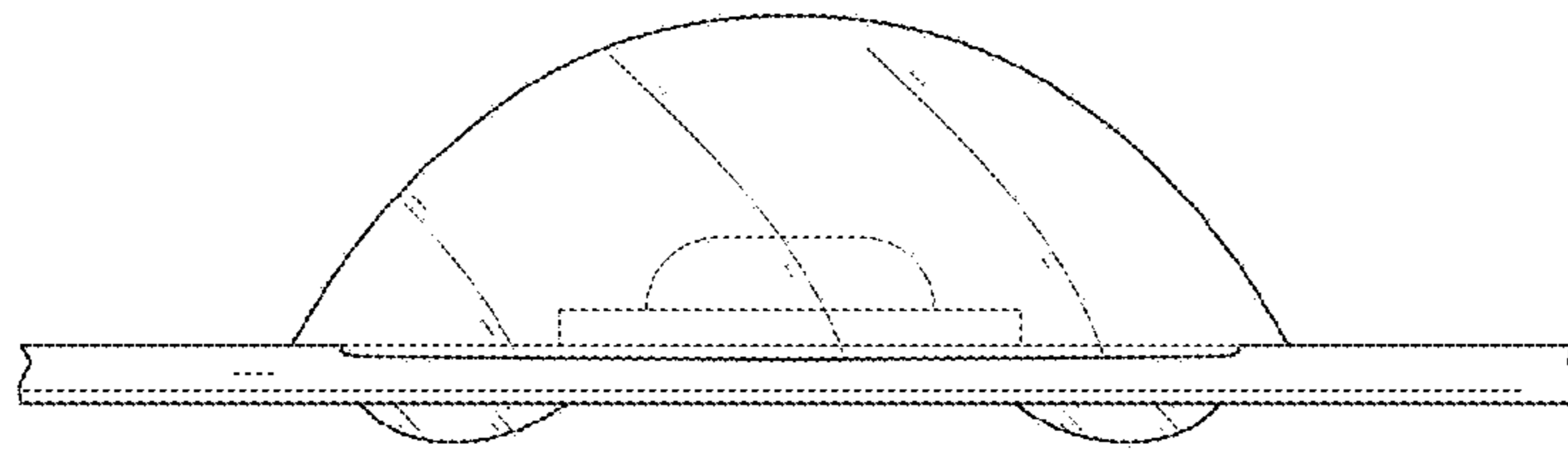


FIG.4

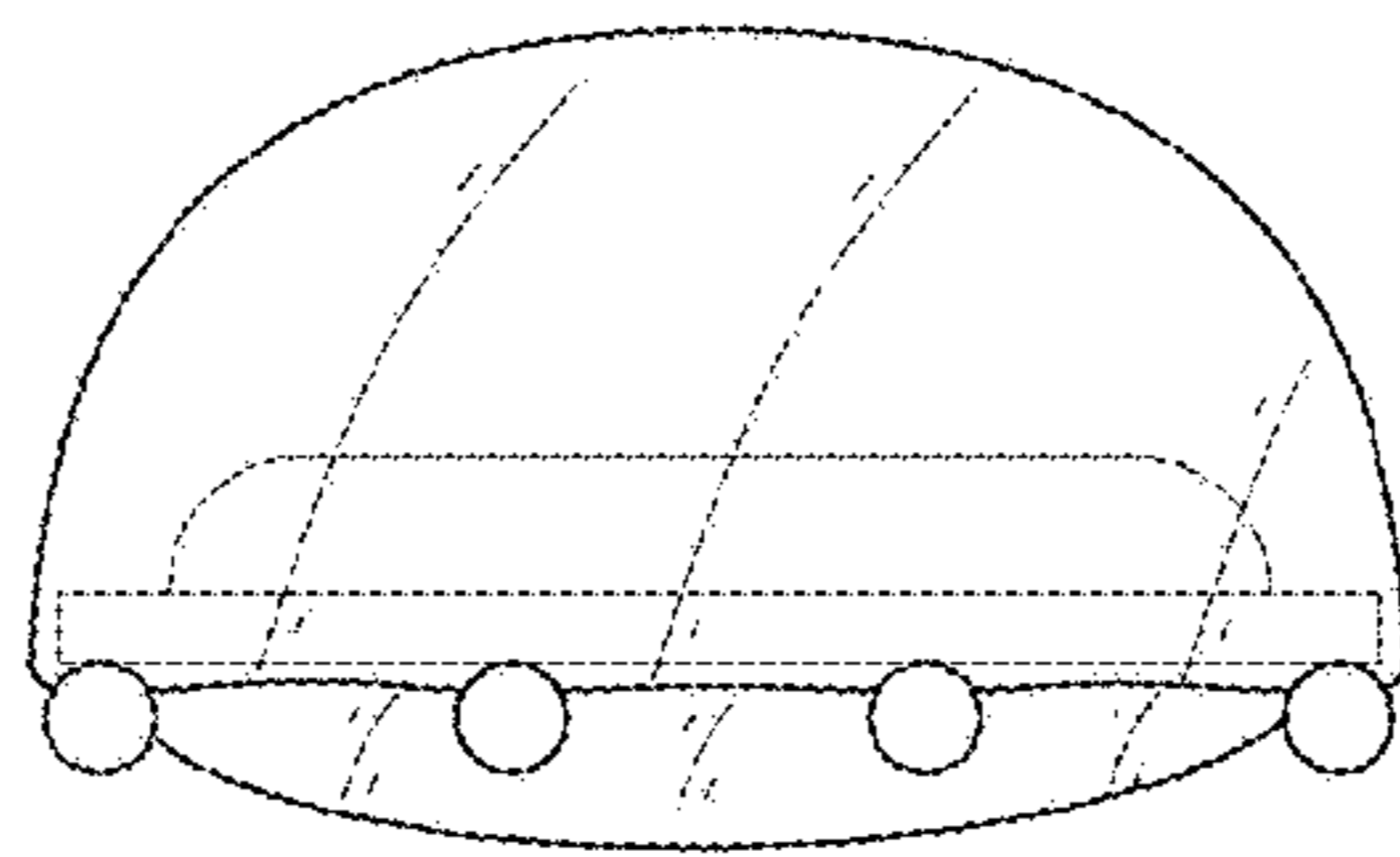


FIG. 5

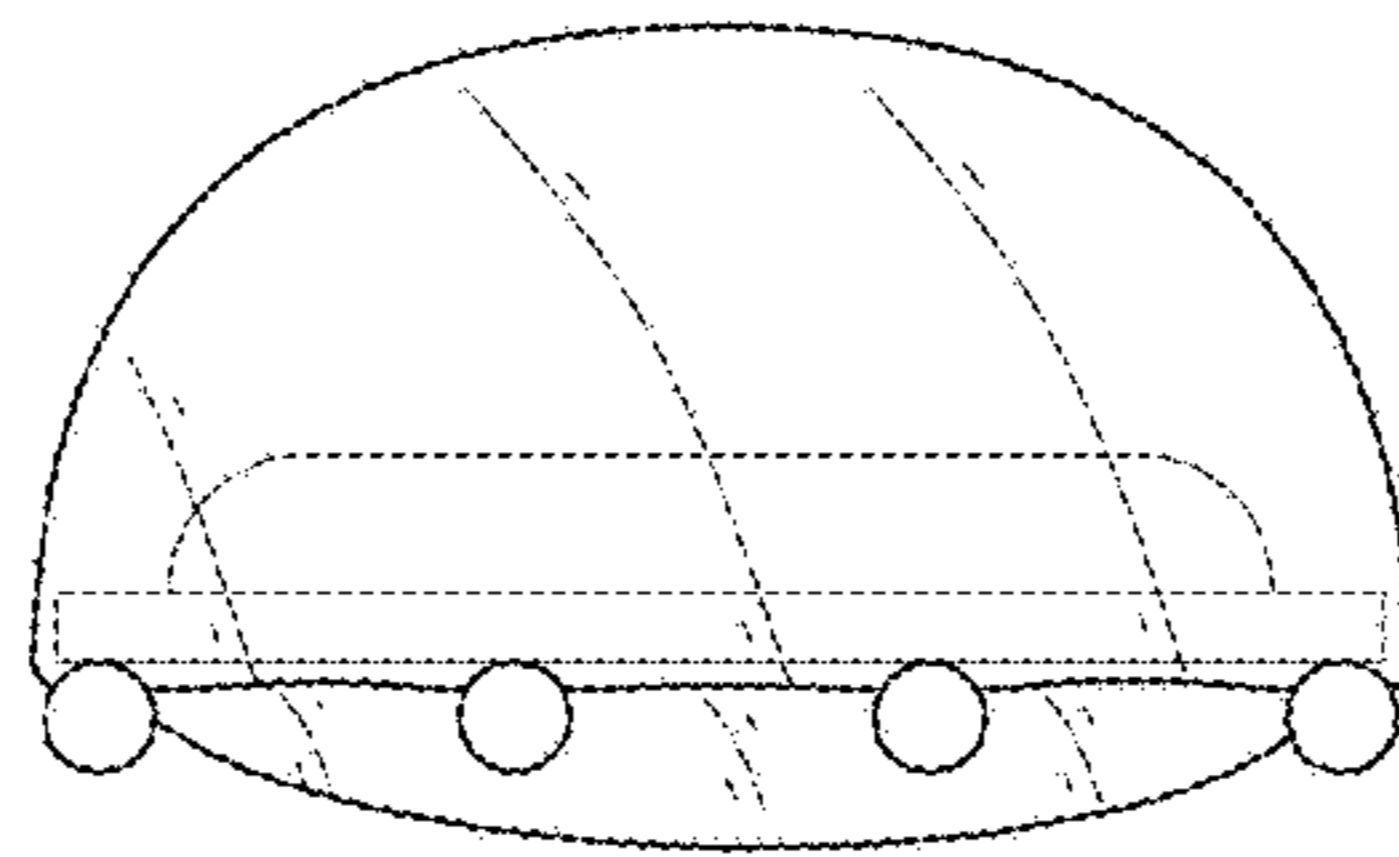


FIG.6

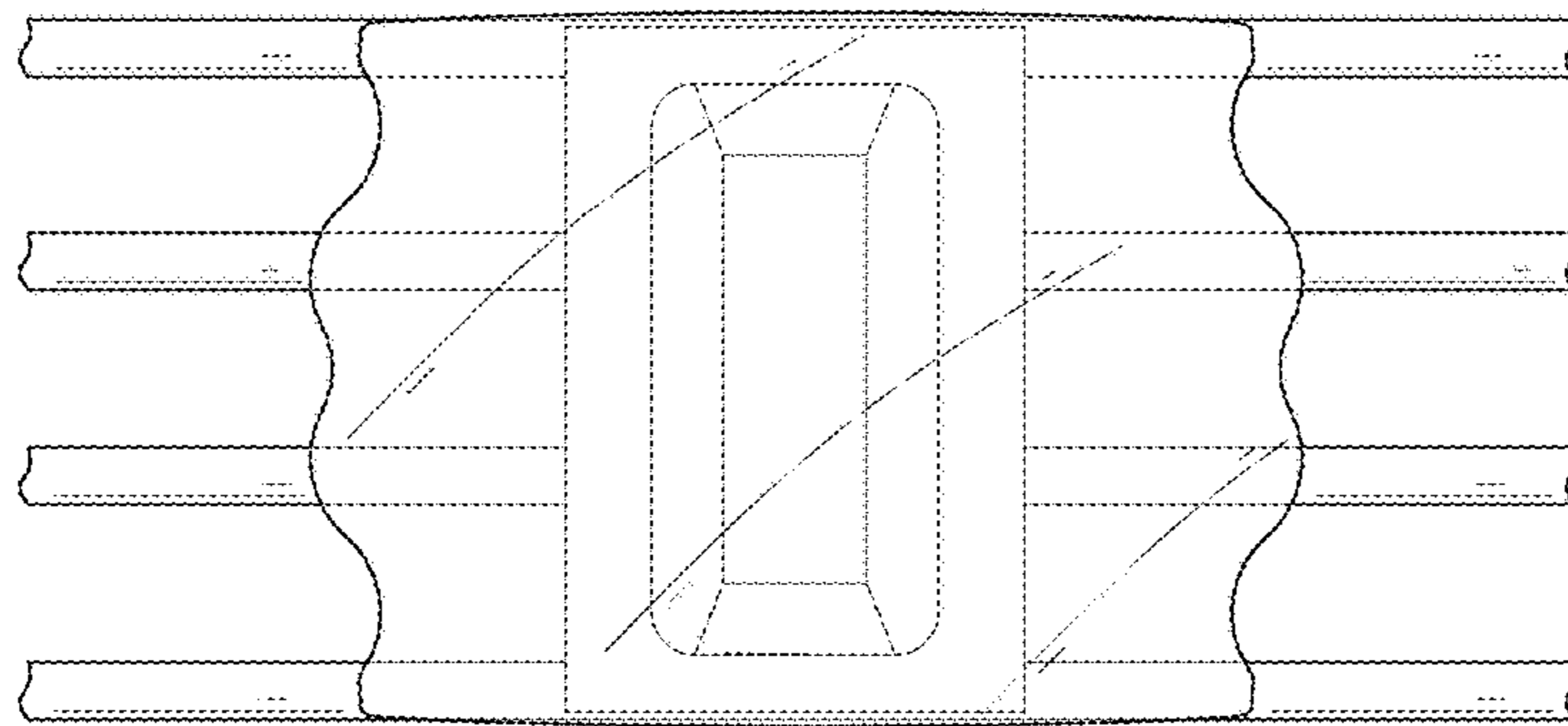


FIG.7



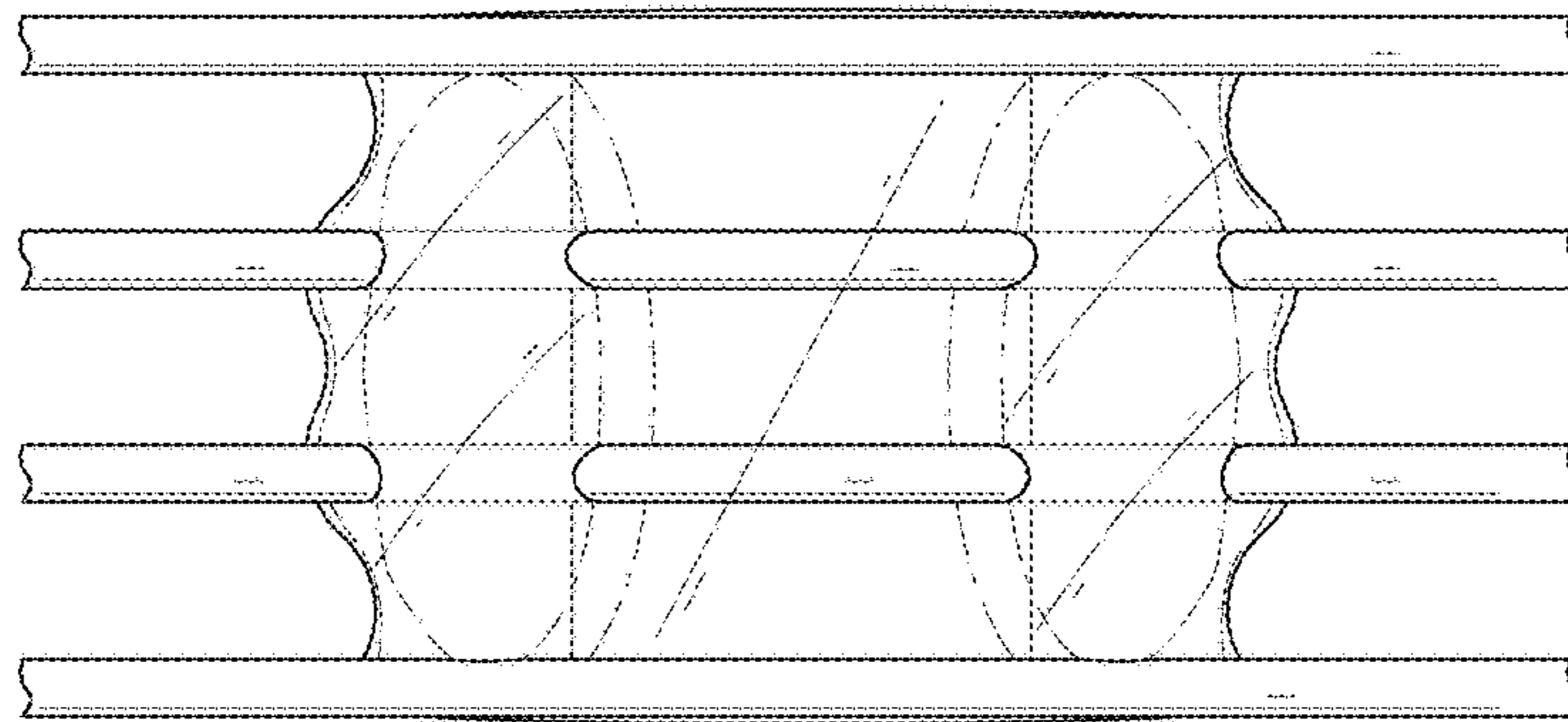


FIG.8

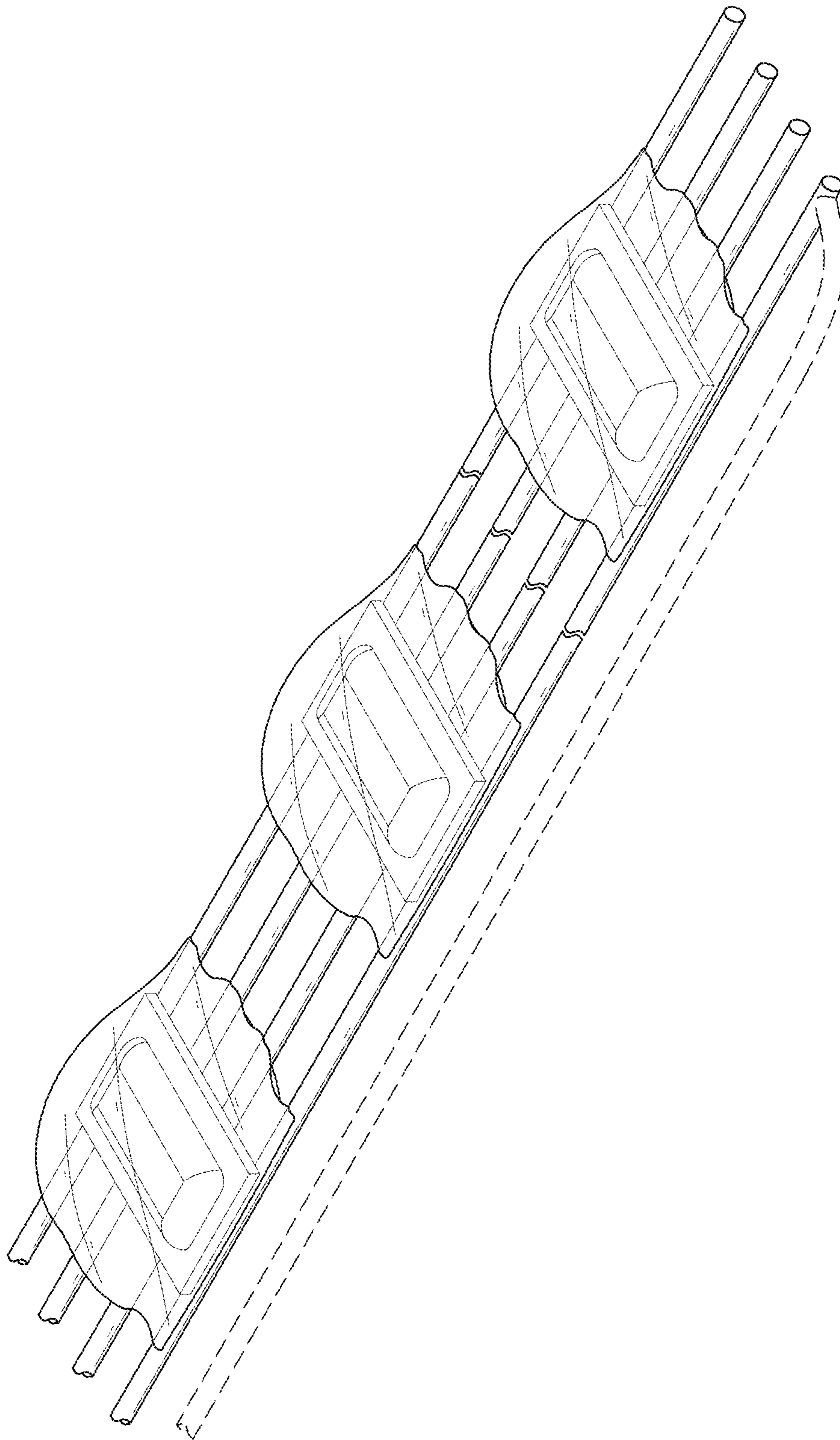


FIG.9

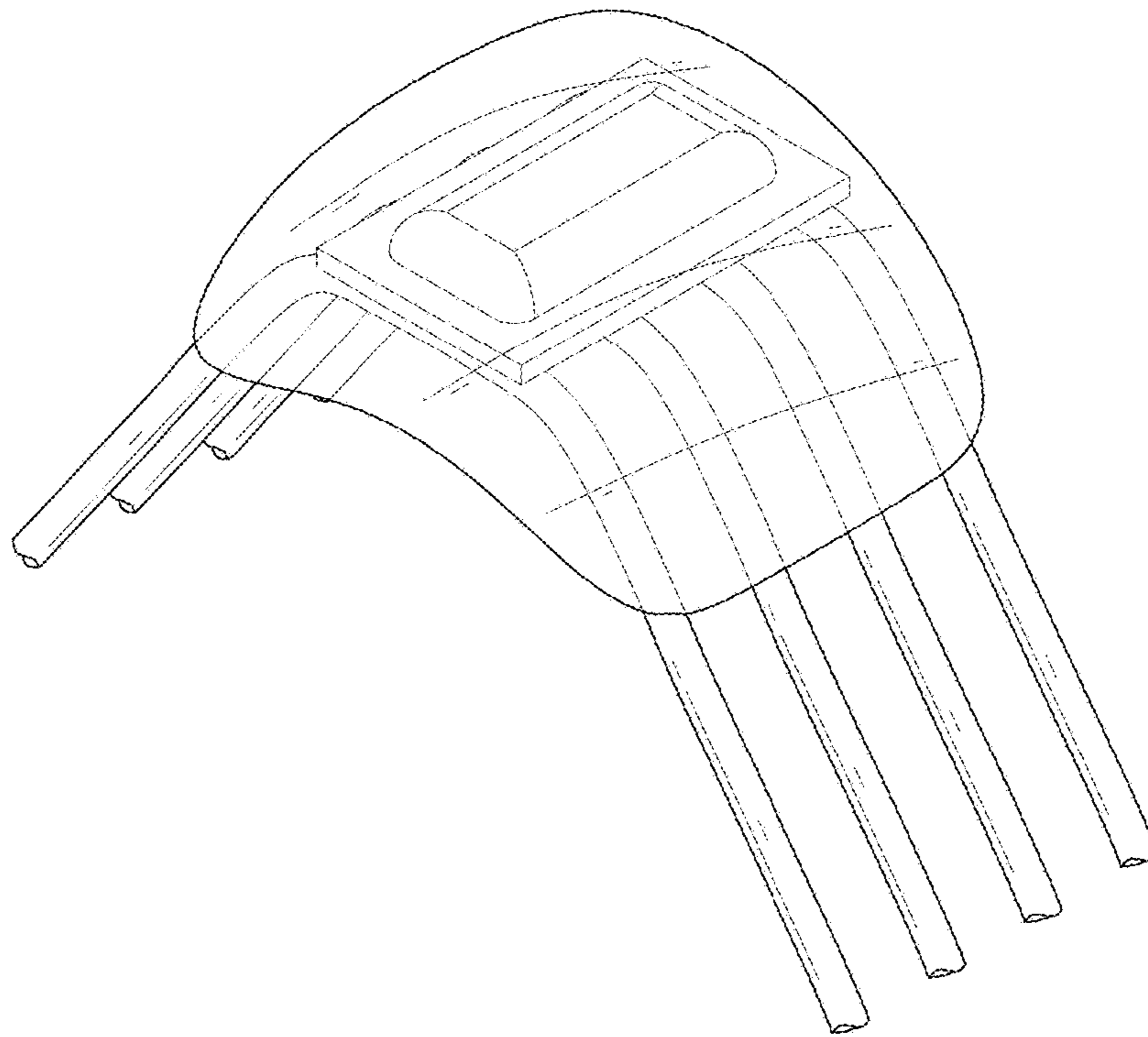


FIG.10

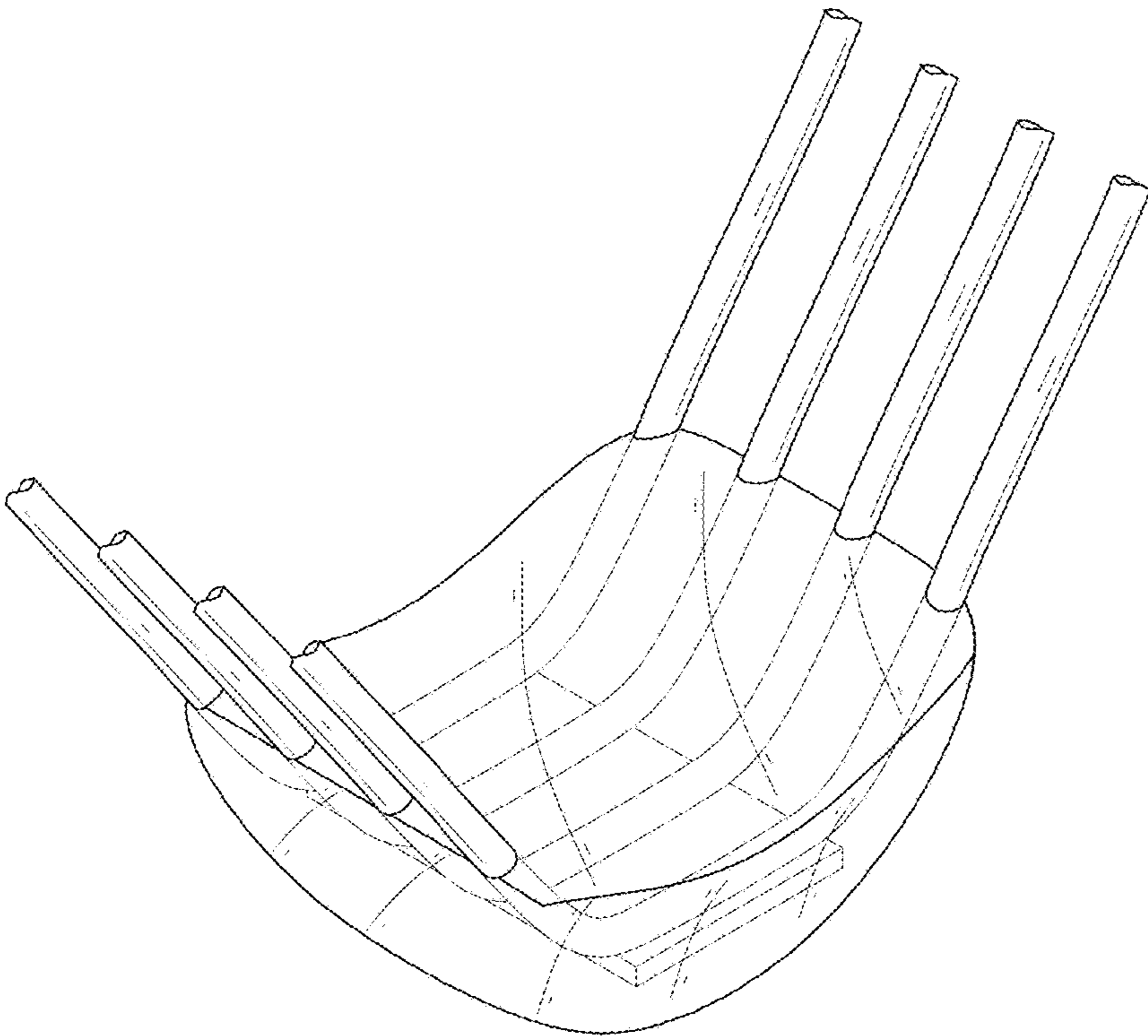


FIG.11

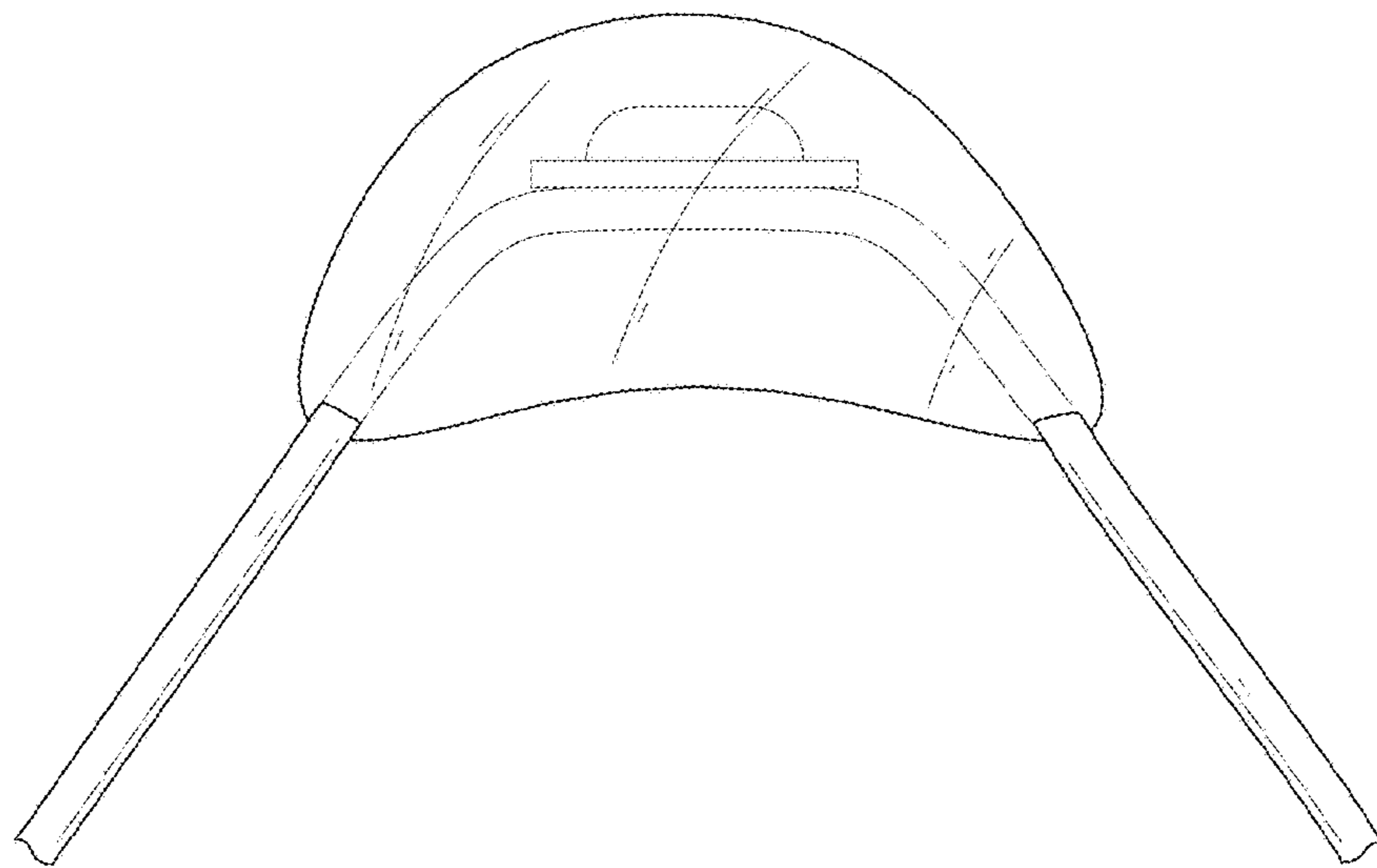


FIG.12

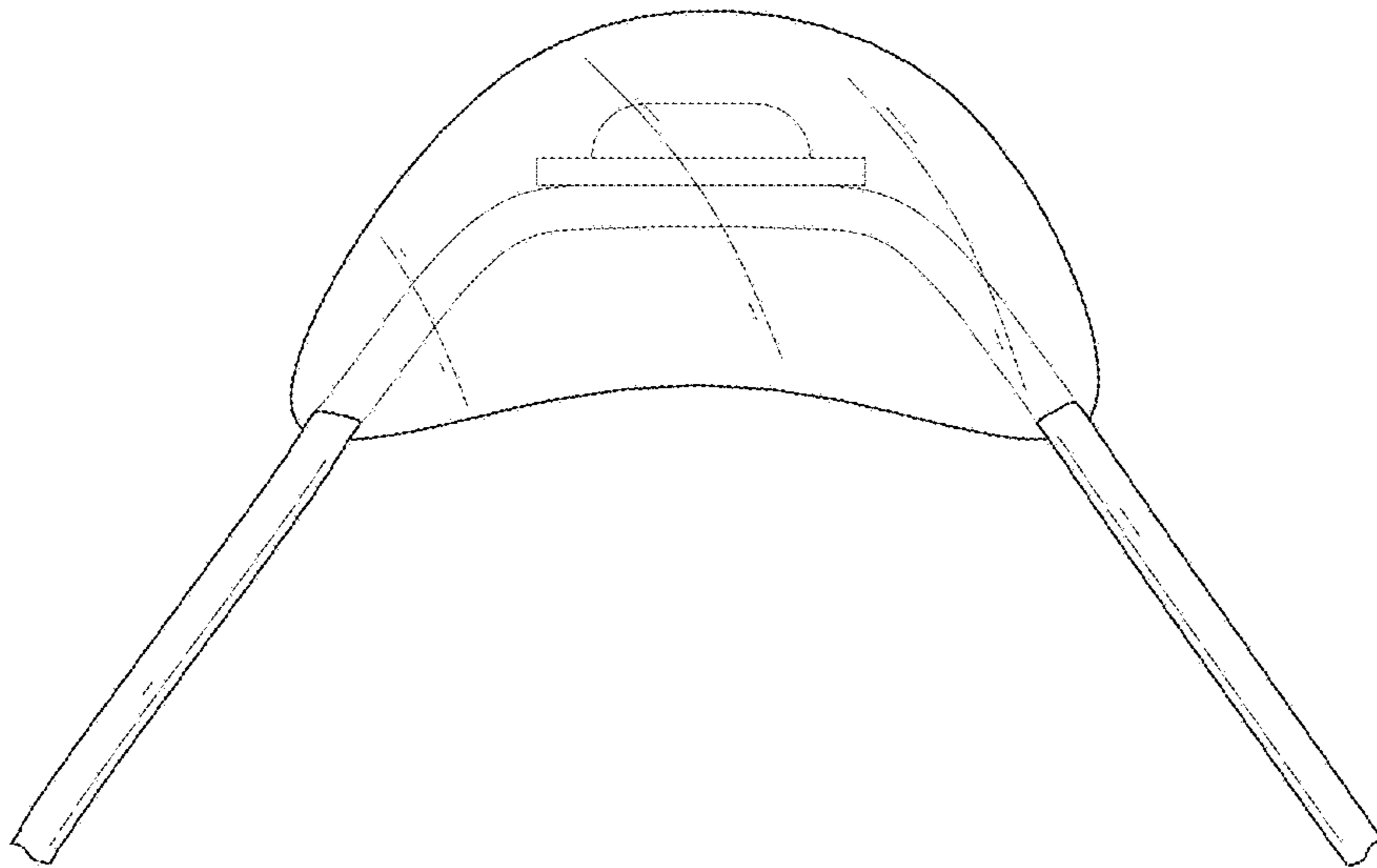


FIG.13

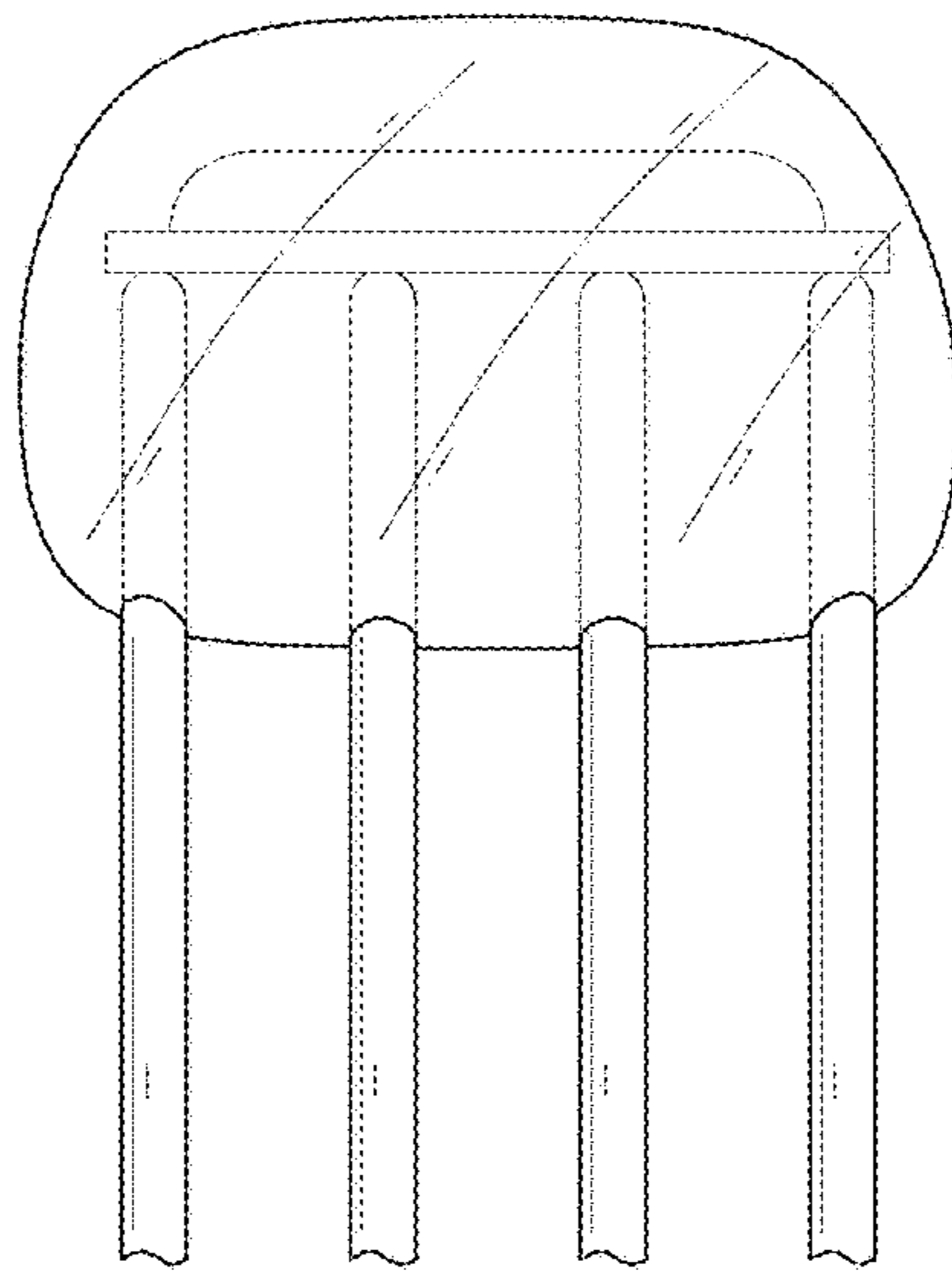


FIG.14

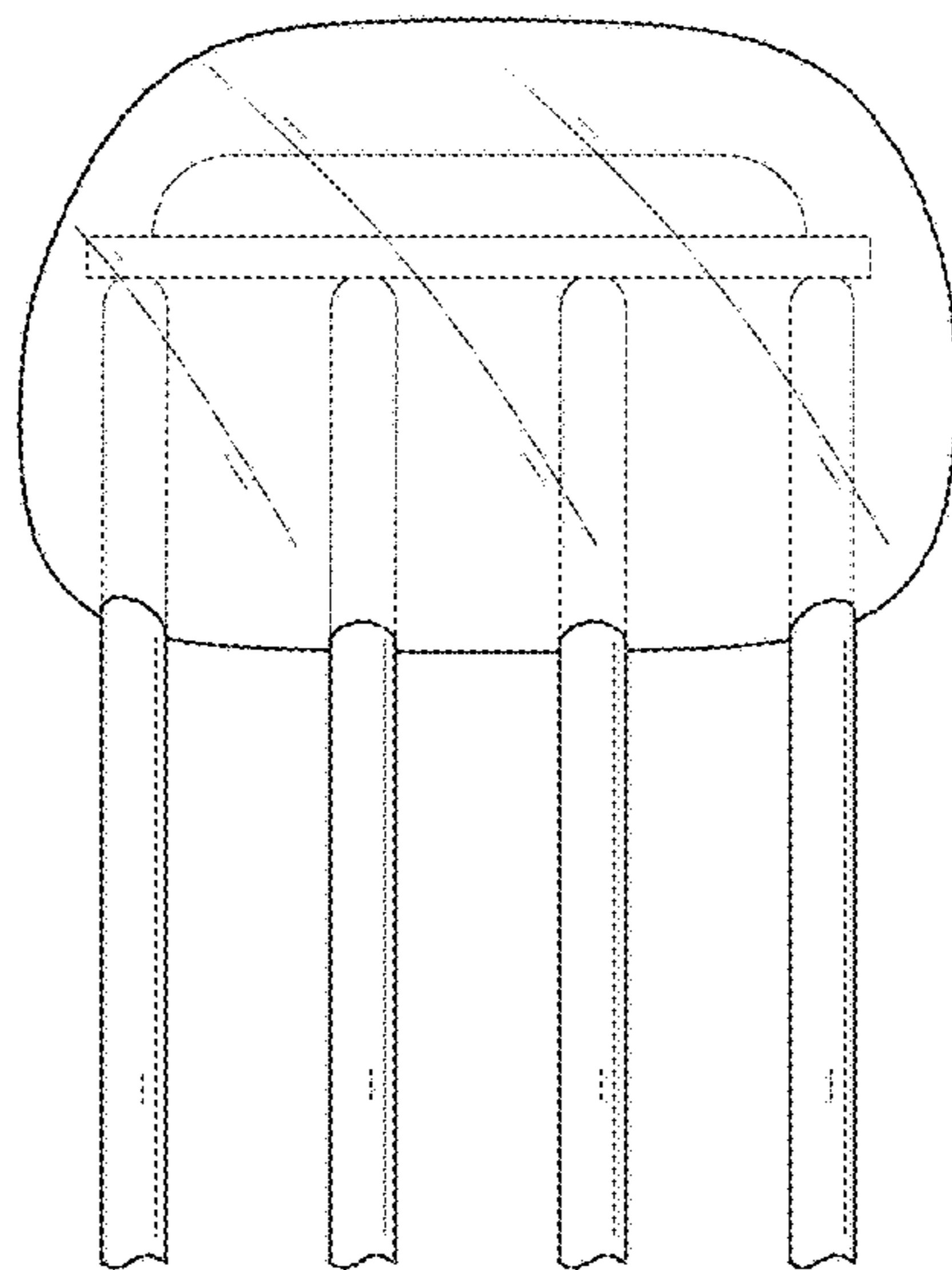


FIG.15



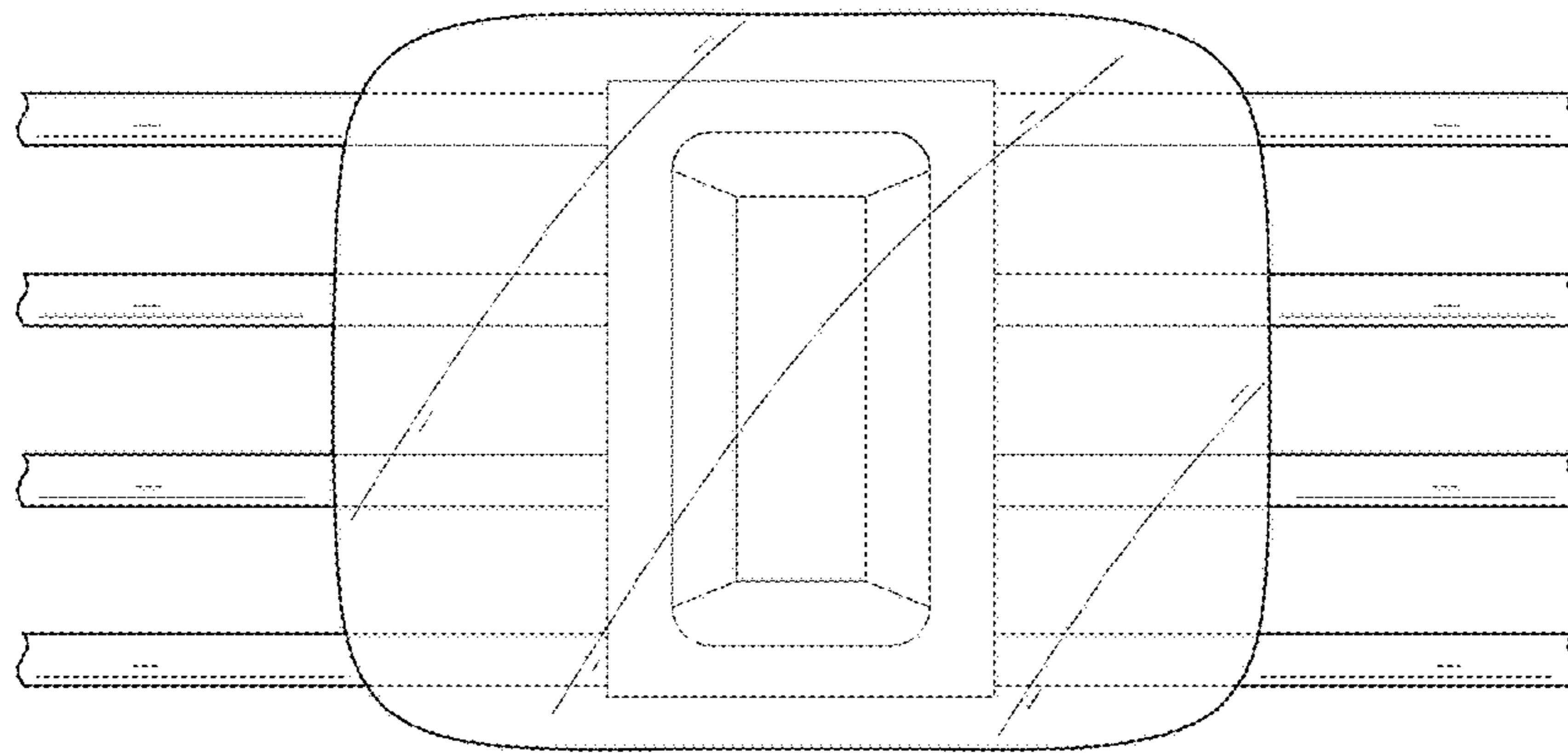


FIG.16

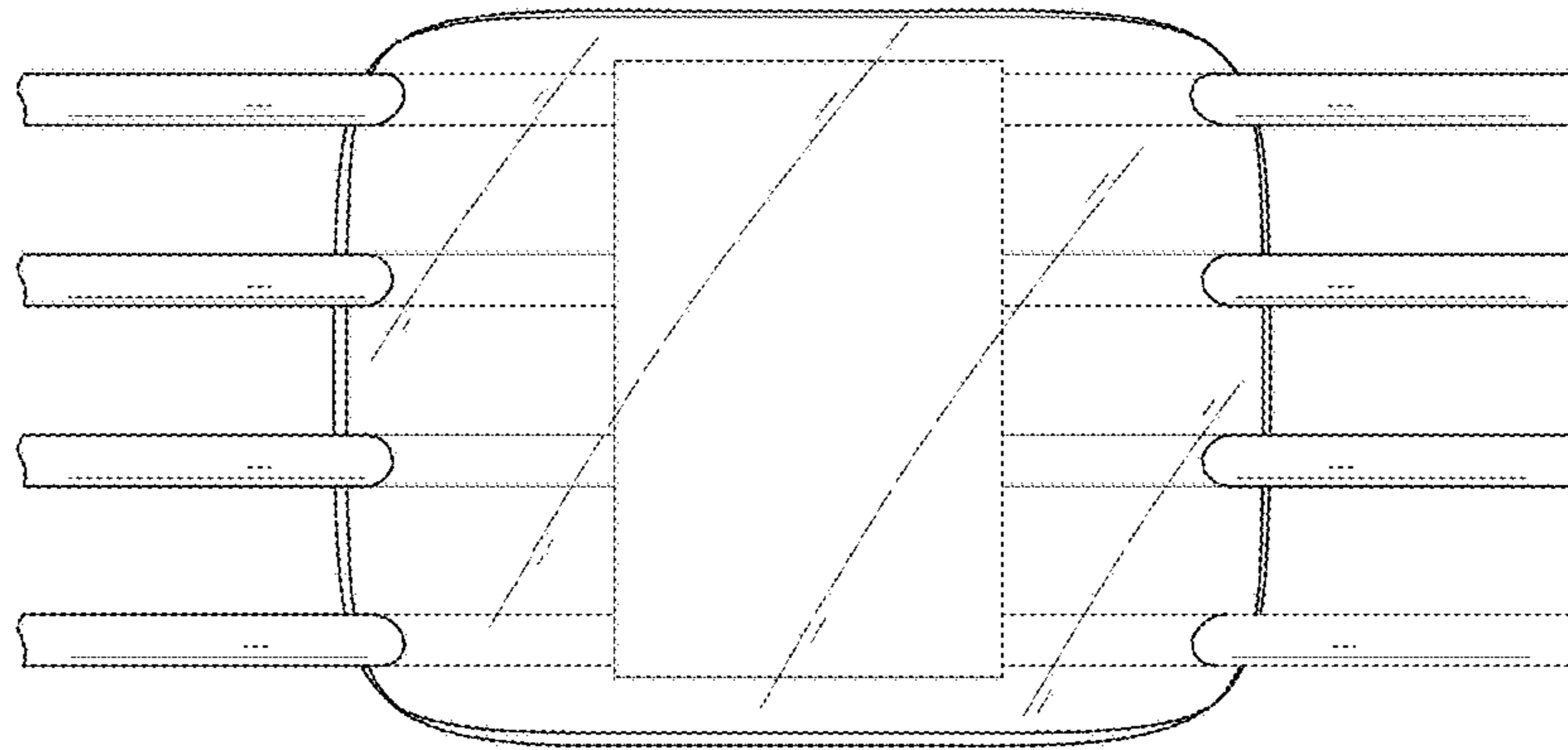


FIG.17

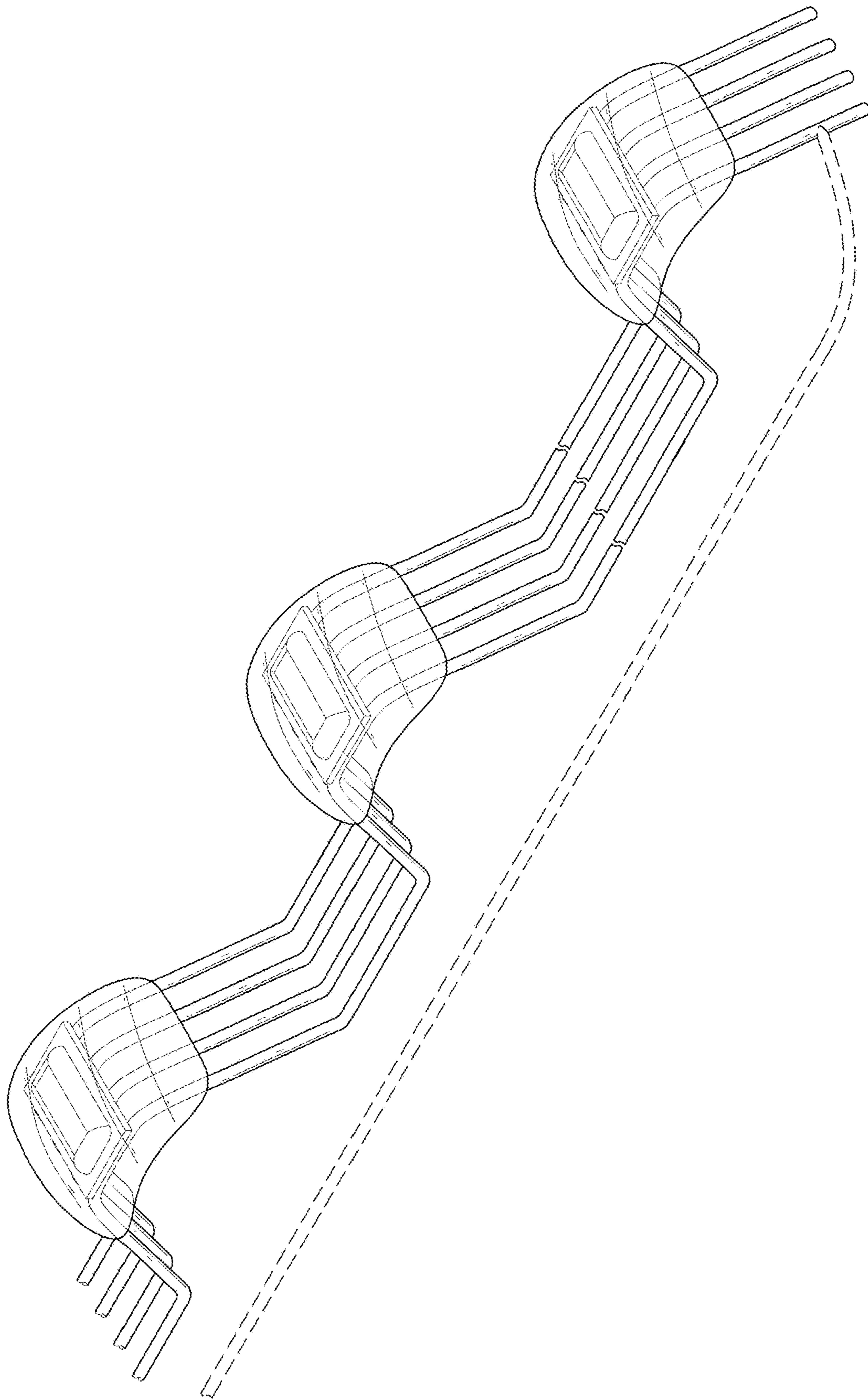


FIG. 18