



US00D862929S

(12) **United States Design Patent** (10) **Patent No.:** **US D862,929 S**
Logan (45) **Date of Patent:** **** Oct. 15, 2019**

(54) **MATTRESS PAD**
(71) Applicant: **SILHOUETTE SLEEPER LLC**,
Richmond, VA (US)
(72) Inventor: **Michelle Kahn Logan**, Richmond, VA
(US)
(73) Assignee: **SILHOUETTE SLEEPER LLC**,
Richmond, VA (US)

6,761,604 B1 7/2004 Hronek
6,854,144 B1 2/2005 Mehring, Jr.
6,931,684 B1 8/2005 Henegar
D528,340 S * 9/2006 Contreras D6/606
7,123,148 B2 10/2006 Trosper
D546,106 S 7/2007 Haile
D583,180 S * 12/2008 Haile D6/601
D585,139 S 1/2009 Andrews
D592,753 S * 5/2009 Jacinto D24/183

(Continued)

(**) Term: **15 Years**

(21) Appl. No.: **29/571,108**

(22) Filed: **Jul. 14, 2016**

(51) **LOC (12) Cl.** **06-09**

(52) **U.S. Cl.**
USPC **D6/596**

(58) **Field of Classification Search**
USPC D6/595, 596, 604, 605, 601, 606;
5/413 AM, 690, 691, 697-703, 706, 716
CPC A47C 23/00; A47C 23/002; A47C 23/005;
A47C 23/007; A47C 27/00; A47C
27/001; A47C 27/05; A47C 27/053; A47C
27/056; A47C 27/06; A47C 27/081; A47C
27/002; A47C 27/08

See application file for complete search history.

(56) **References Cited**

U.S. PATENT DOCUMENTS

414,090 A 10/1889 Taylor
3,118,152 A * 1/1964 Talley, Jr. A47C 20/025
5/631
3,146,469 A 9/1964 Slade
4,054,960 A * 10/1977 Pettit A47C 20/025
5/631
D270,800 S 10/1983 Fuller
D278,779 S 5/1985 Sink
4,628,557 A 12/1986 Murphy
6,243,898 B1 6/2001 Ruff

OTHER PUBLICATIONS

Comfy Breasts—Breast Relaxation System—Comfy Baby, 6 pages,
at <http://www.comfybreasts.com/comfybaby>, last accessed Jul. 14,
2016.

(Continued)

Primary Examiner — R. Johnson
(74) *Attorney, Agent, or Firm* — Patent Law of Virginia,
PLLC; Brian J. Teague

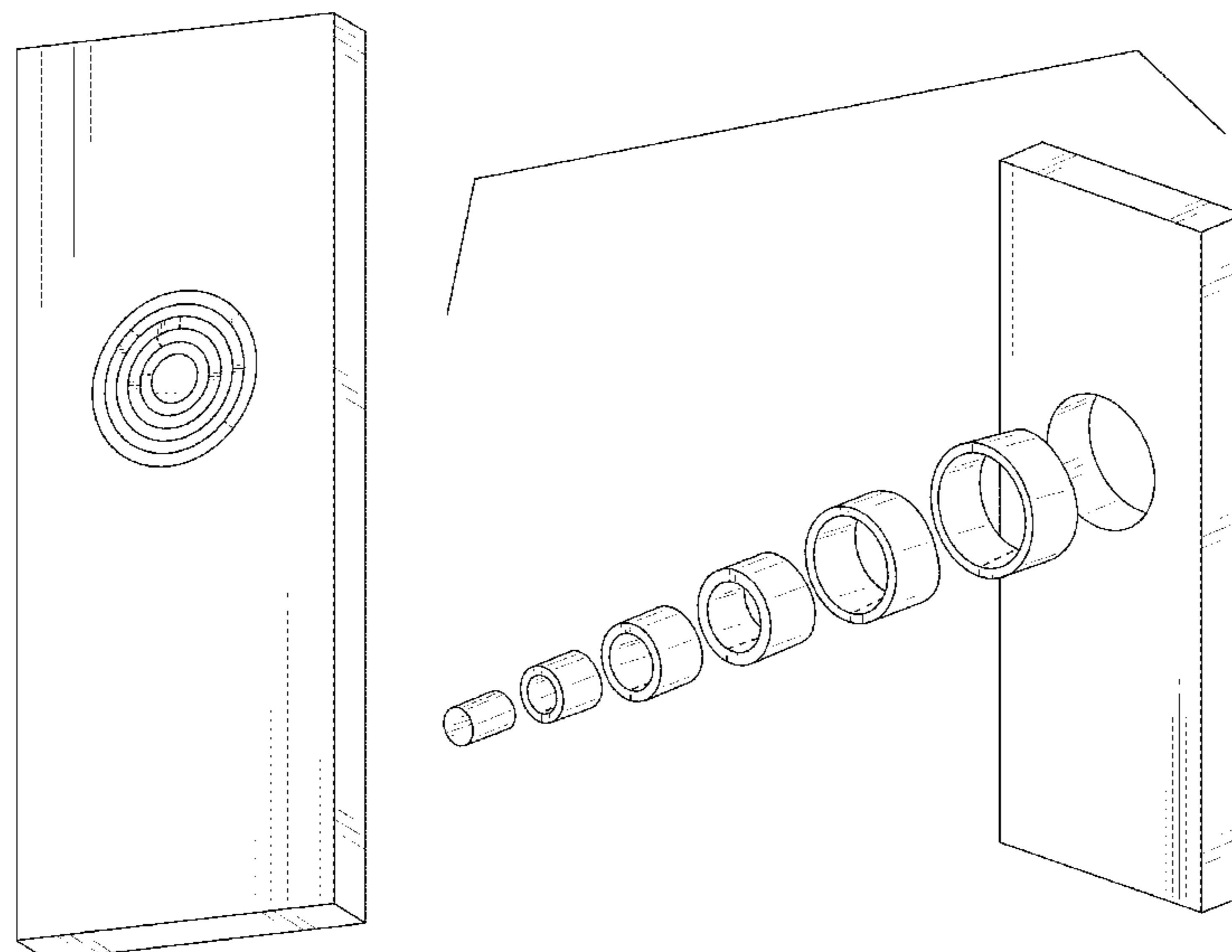
(57) **CLAIM**

I claim the ornamental design for a mattress pad, as shown
and described.

DESCRIPTION

FIG. 1 is a perspective view of a mattress pad showing the
new design, as viewed from the front, right, and bottom.
FIG. 2 is a perspective view thereof, as viewed from the rear,
left, and top.
FIG. 3 is a front view thereof. The rear view is identical.
FIG. 4 is a top view thereof. The bottom view is identical.
FIG. 5 is a right side view thereof. The left side view is
identical.
FIG. 6 is a perspective exploded view thereof, as viewed
from the front, left, and bottom; and,
FIG. 7 is a perspective exploded view thereof, as viewed
from the front, right, and top.

1 Claim, 6 Drawing Sheets



(56)

References Cited

U.S. PATENT DOCUMENTS

7,636,967	B1	12/2009	Stokes	
D629,241	S *	12/2010	Romero	D6/601
D642,845	S *	8/2011	Farley	D6/596
8,458,835	B2	6/2013	Muratalla	
D766,011	S *	9/2016	Logan	D6/596
D794,356	S *	8/2017	McWilliams	D6/601
D807,081	S *	1/2018	Zanki	D6/601
2002/0020022	A1 *	2/2002	Bernstein	A47C 20/025 5/722
2004/0194218	A1	10/2004	Hayes	
2004/0217533	A1	11/2004	Mok	
2015/0089746	A1 *	4/2015	Breier	A47C 27/04 5/665

OTHER PUBLICATIONS

TaTa Topper, Product Details, 2 pages, available at <http://www.marilynandmichelle.com/product-detail/>, last accessed Aug. 2, 2016.

* cited by examiner

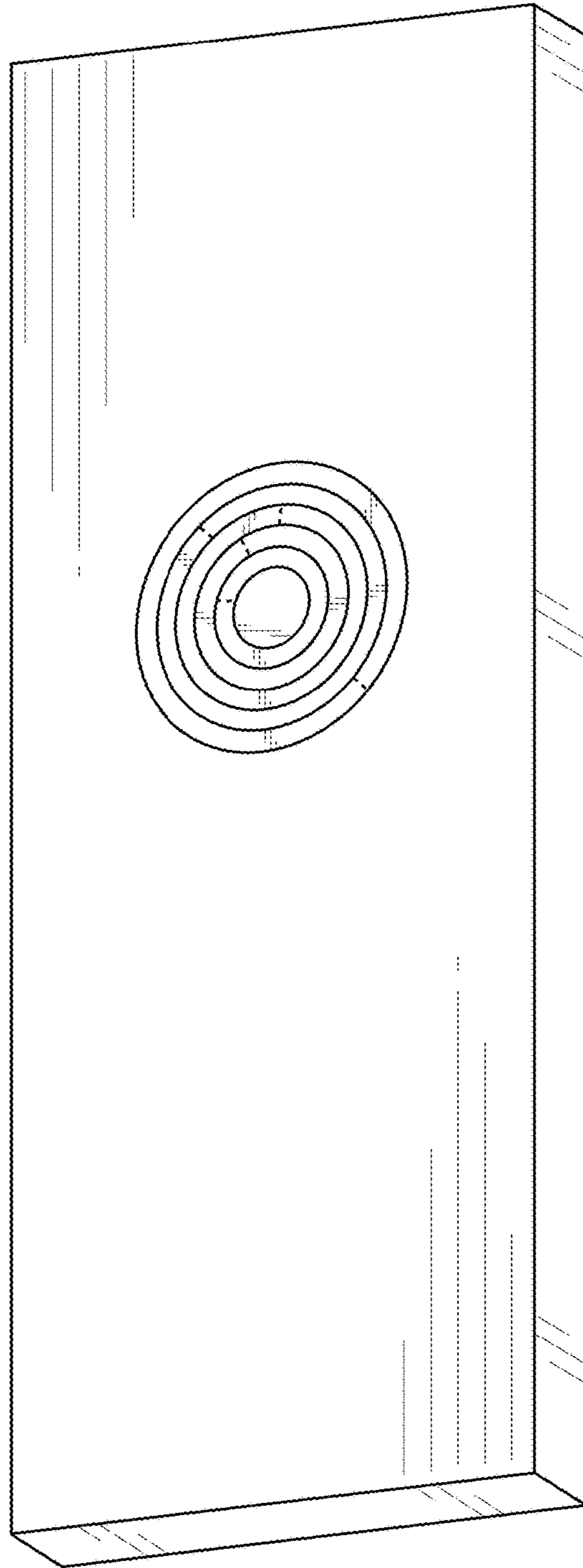


FIG. 1

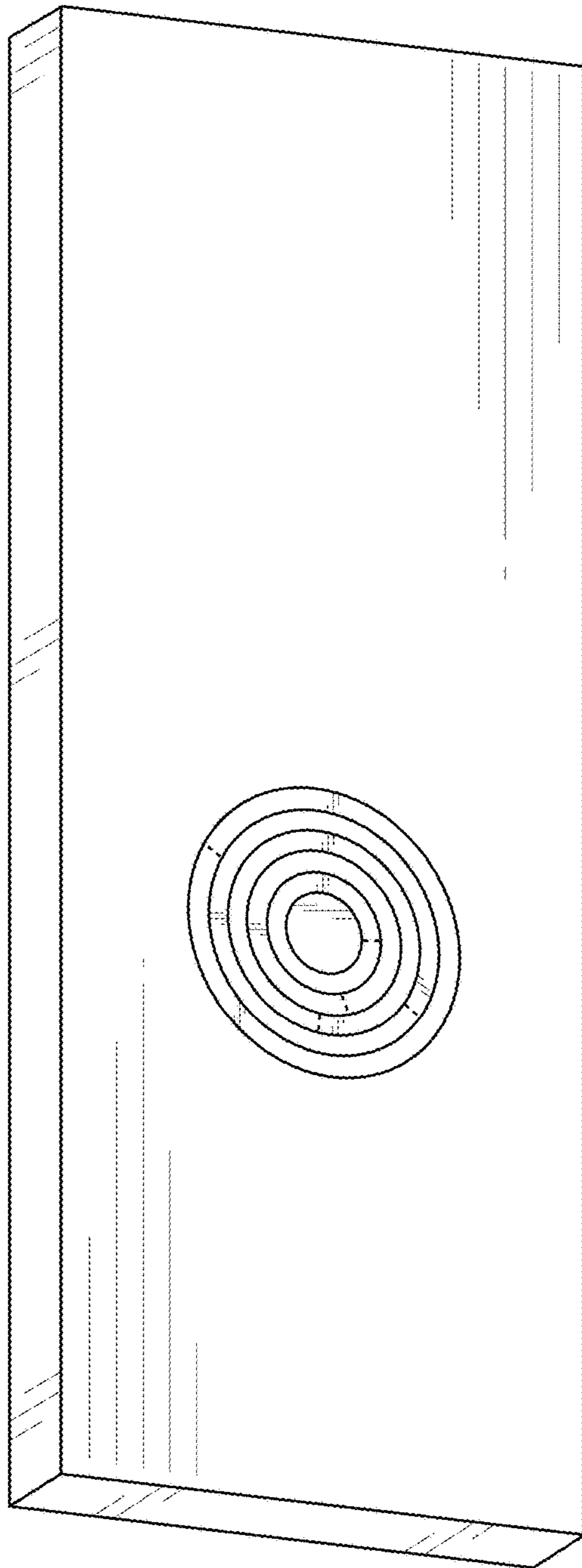


FIG. 2

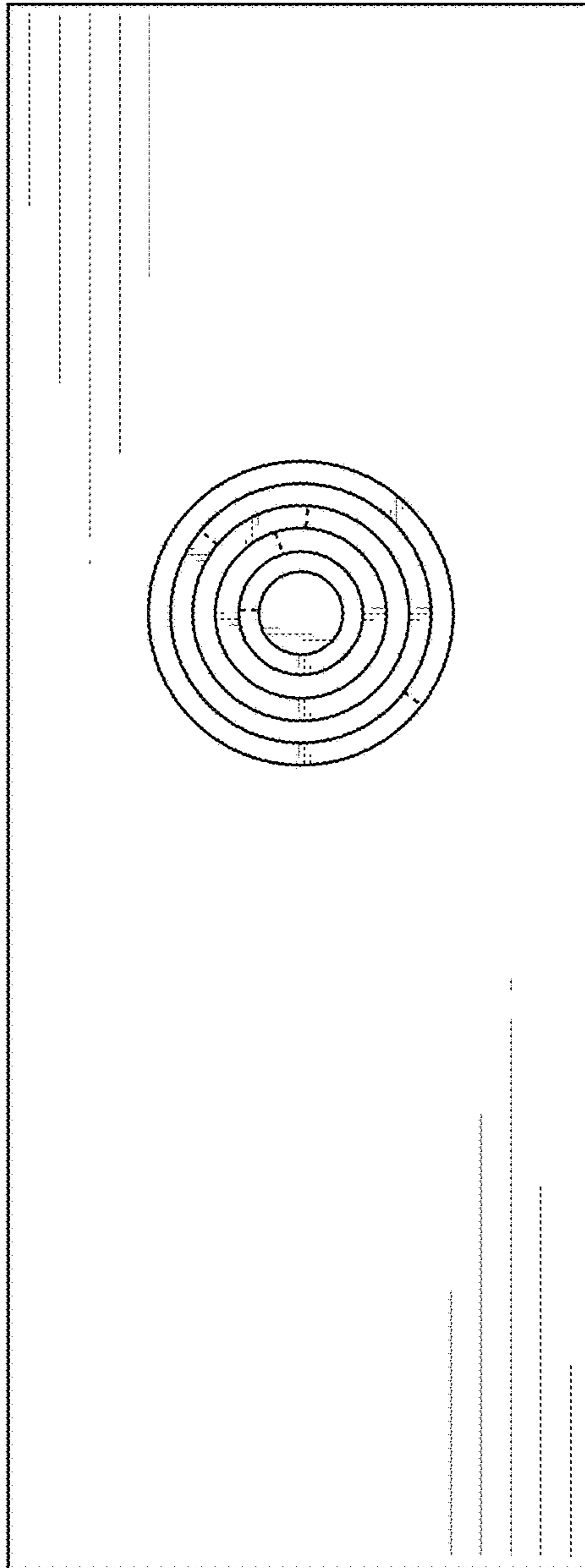


FIG. 3

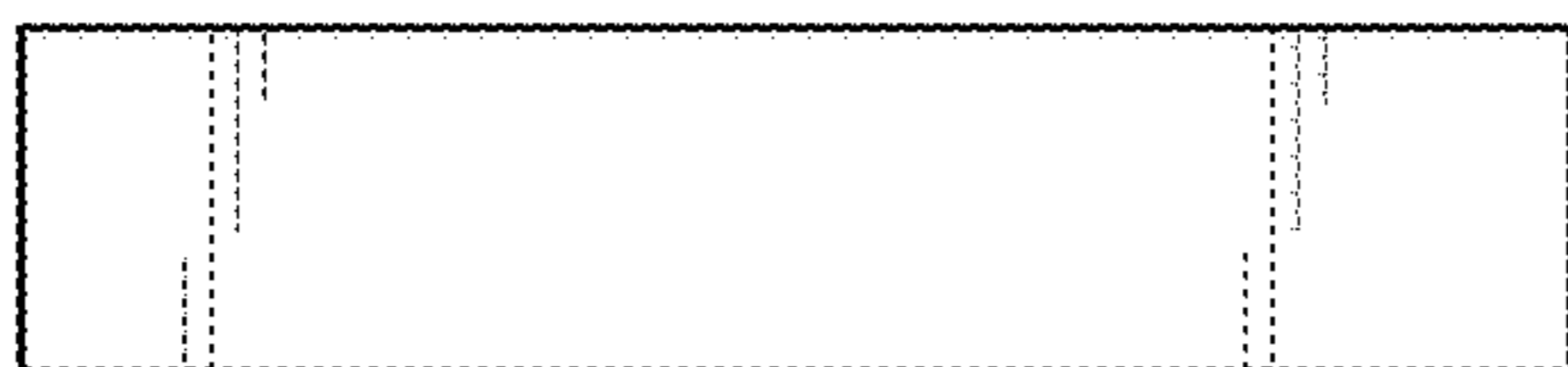


FIG. 4

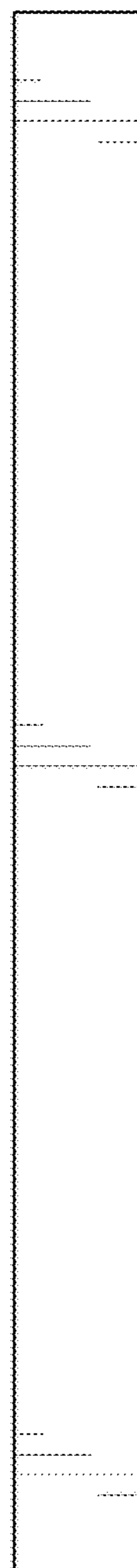


FIG. 5

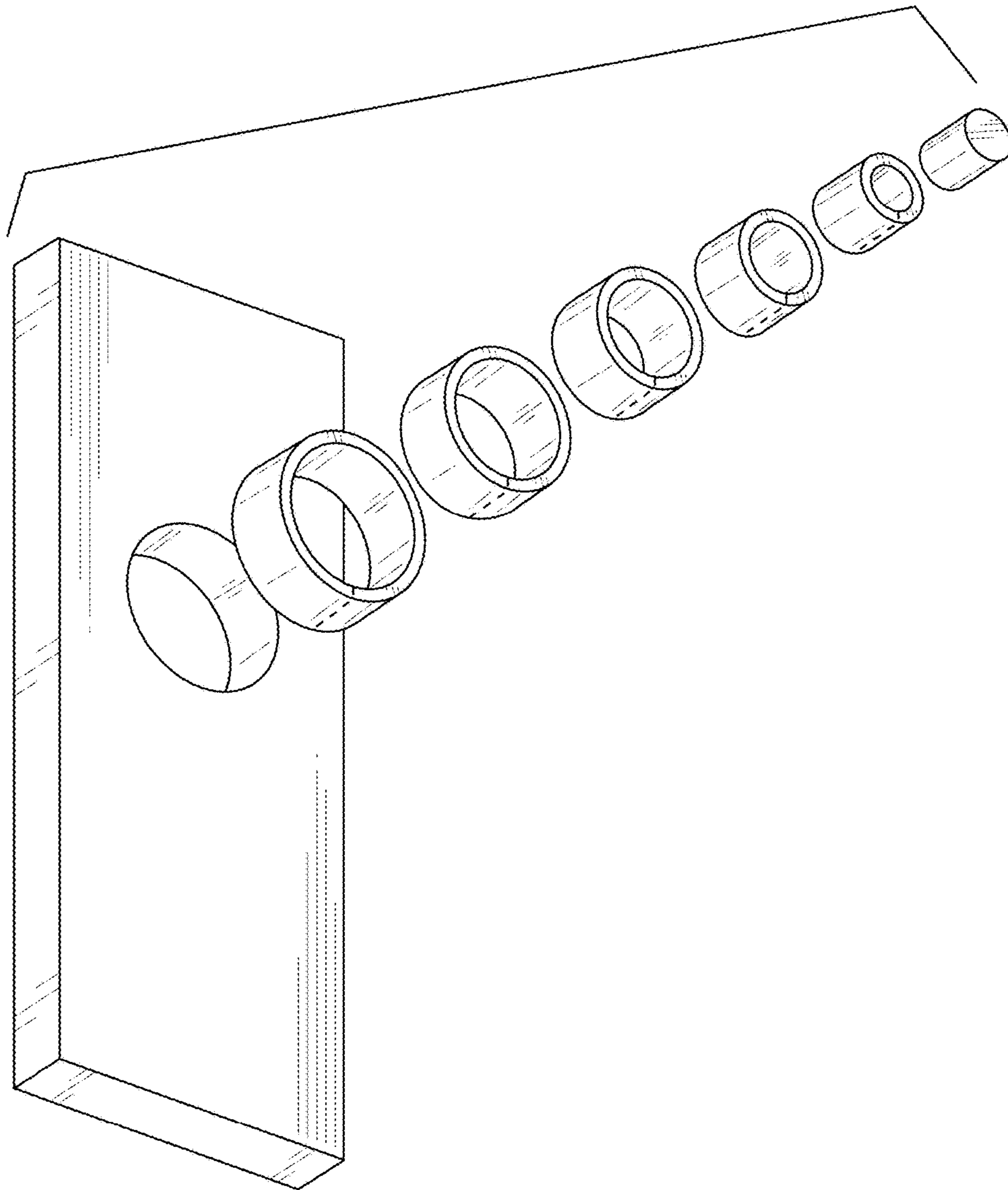


FIG. 6

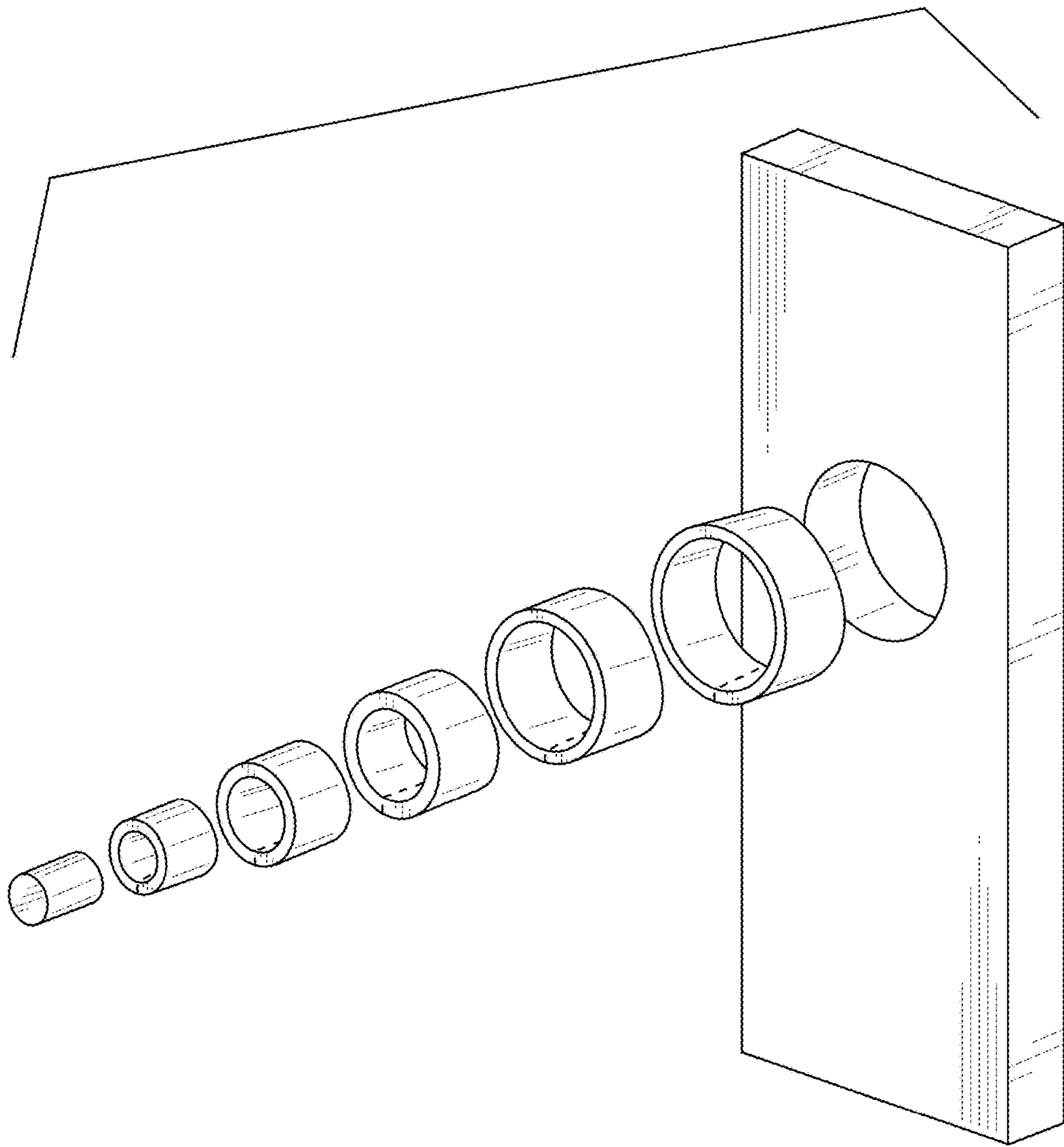


FIG. 7