



US00D863371S

(12) **United States Design Patent** (10) **Patent No.:** **US D863,371 S**
Wise et al. (45) **Date of Patent:** **** Oct. 15, 2019**

(54) **TANK**
(71) Applicant: **Northern Tool & Equipment Company, Inc.**, Burnsville, MN (US)
(72) Inventors: **Nathan Wise**, Farmington, MN (US); **Joseph DeGezelle**, Lakeville, MN (US)
(73) Assignee: **Northern Tool & Equipment Company, Inc.**, Burnsville, MN (US)

D500,055 S * 12/2004 Bieker D15/28
D506,584 S * 6/2005 Whittaker D32/25
D663,325 S * 7/2012 Thunstrom D15/13
D669,099 S * 10/2012 Ringer D15/28
D669,100 S * 10/2012 Ringer D15/28
D673,587 S * 1/2013 Truan D15/28
D687,866 S * 8/2013 Thompson D15/28
D687,867 S * 8/2013 Thompson D15/28
D690,740 S * 10/2013 Gonzales D15/28
D690,741 S * 10/2013 Gonzales D15/28
D693,856 S * 11/2013 Thompson D15/28

(Continued)

(**) Term: **15 Years**

Primary Examiner — Mark A Goodwin

(21) Appl. No.: **29/642,878**

(74) *Attorney, Agent, or Firm* — Fafinski, Mark & Johnson, P.A.; Naomi Mann

(22) Filed: **Apr. 3, 2018**

(51) **LOC (12) Cl.** **15-03**

(57) **CLAIM**

(52) **U.S. Cl.**

The ornamental design for a tank, as shown and described.

USPC **D15/28**; D12/218

DESCRIPTION

(58) **Field of Classification Search**

USPC D15/28, 15, 23, 17; D12/218; 280/834, 280/288.4, 830, 124.1, 835; 180/69.4, 180/69.5, 89.12, 900, 225; 220/564, 524, 220/555, 567.2; 123/518–520

CPC B60K 15/00; B60K 15/03; B60K 15/07; B60K 15/0306; B60K 15/063; B60K 15/073; B62D 21/16; F02M 37/0094

See application file for complete search history.

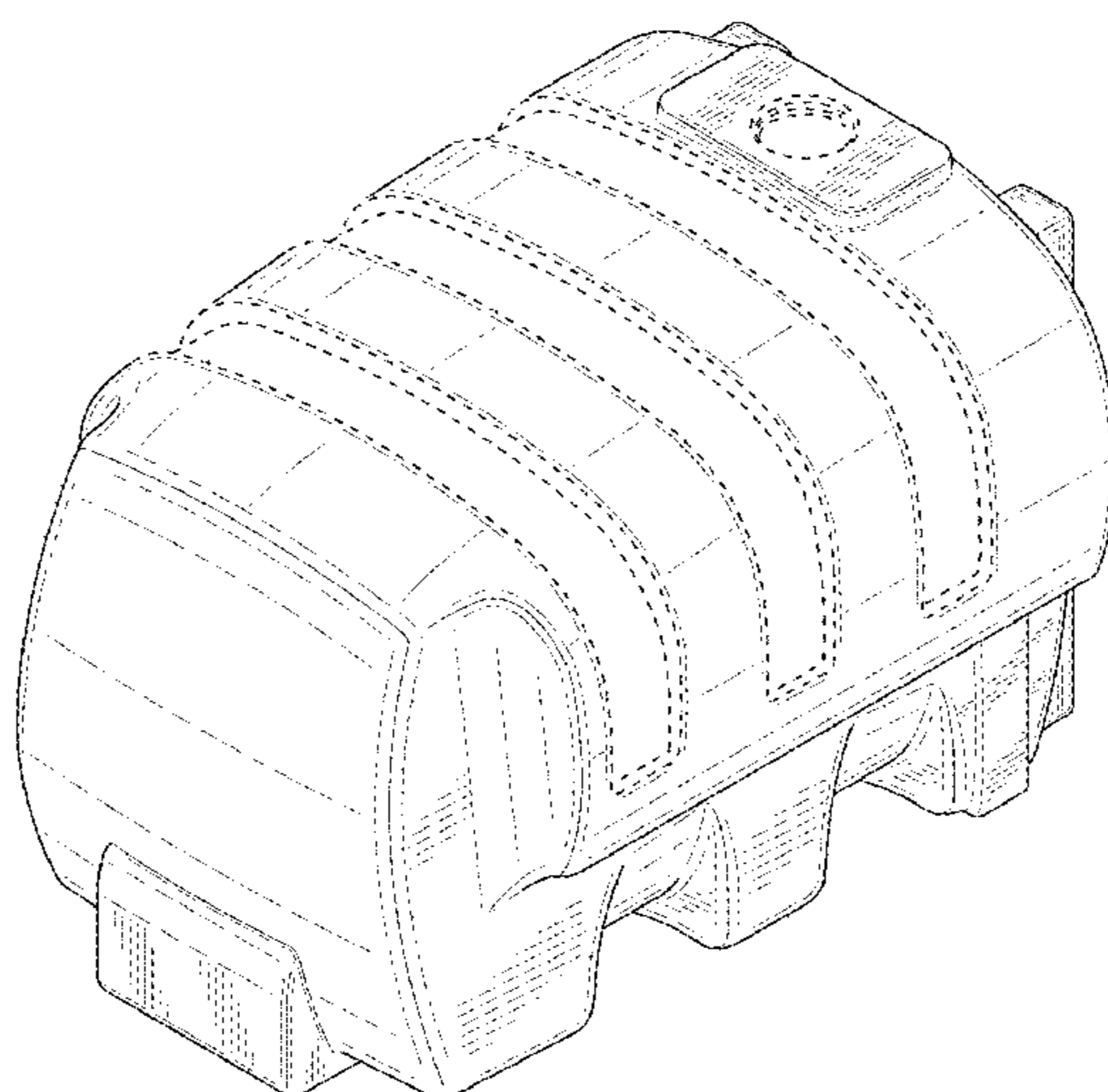
FIG. 1 is a front right oriented perspective view of the tank according to an embodiment of our design;
FIG. 2 is a right rear oriented perspective view of the tank shown in FIG. 1;
FIG. 3 is a front elevational view of the tank shown in FIG. 1;
FIG. 4 is a rear elevational view of the tank shown in FIG. 1;
FIG. 5 is a left side elevational view of the tank shown in FIG. 1;
FIG. 6 is a right side elevational view of the tank shown in FIG. 1;
FIG. 7 is a top plan view of the tank shown in FIG. 1; and, FIG. 8 is a bottom plan view of the tank shown in FIG. 1. In FIGS. 1-3, and 5-8, a broken line representation of unclaimed geometry is shown, which is for illustrative purposes only and forms no portion of the claimed invention.

(56) **References Cited**

U.S. PATENT DOCUMENTS

D258,501 S * 3/1981 Winslow D12/218
D282,921 S * 3/1986 Eureka D12/218
D290,452 S * 6/1987 Balek D12/218
D290,829 S * 7/1987 Balek D12/218
5,911,624 A * 6/1999 Stauffer B60H 1/00378
454/158
D427,206 S * 6/2000 Johnson D15/28
D446,364 S * 8/2001 Bisson D32/21
D470,982 S * 2/2003 Zahuranec D32/32

1 Claim, 8 Drawing Sheets



(56)

References Cited

U.S. PATENT DOCUMENTS

D694,167	S	*	11/2013	Forsberg	D12/218
D695,202	S	*	12/2013	Forsberg	D12/218
D708,649	S	*	7/2014	Rollenhagen	D15/28
D713,424	S	*	9/2014	Gonzales	D15/28
D728,632	S	*	5/2015	Klassen	D12/218
D728,633	S	*	5/2015	Klassen	D12/218
D729,141	S	*	5/2015	Beadles	D12/218
D729,722	S	*	5/2015	Beadles	D12/218
D730,949	S	*	6/2015	Thompson	D15/28
D730,951	S	*	6/2015	Thompson	D15/28
D741,376	S	*	10/2015	Thompson	D15/28
D742,429	S	*	11/2015	Thompson	D15/28
D755,253	S	*	5/2016	Thompson	D15/28
D759,786	S	*	6/2016	Laber	D15/13
D763,325	S	*	8/2016	Thompson	D15/28
D763,326	S	*	8/2016	Thompson	D15/28
D763,327	S	*	8/2016	Thompson	D15/28
D772,773	S	*	11/2016	Andersen	D12/218
D775,238	S	*	12/2016	Roemer	D12/218
D795,930	S	*	8/2017	Buckelew	D15/28
D803,756	S	*	11/2017	Andersen	D12/218
D820,765	S	*	6/2018	Hensley	D12/218
D825,714	S	*	8/2018	Buckelew	D23/202
D837,720	S	*	1/2019	Schwalbe	D12/218
D837,835	S	*	1/2019	Schwalbe	D15/28
D837,836	S	*	1/2019	Schwalbe	D15/28

* cited by examiner

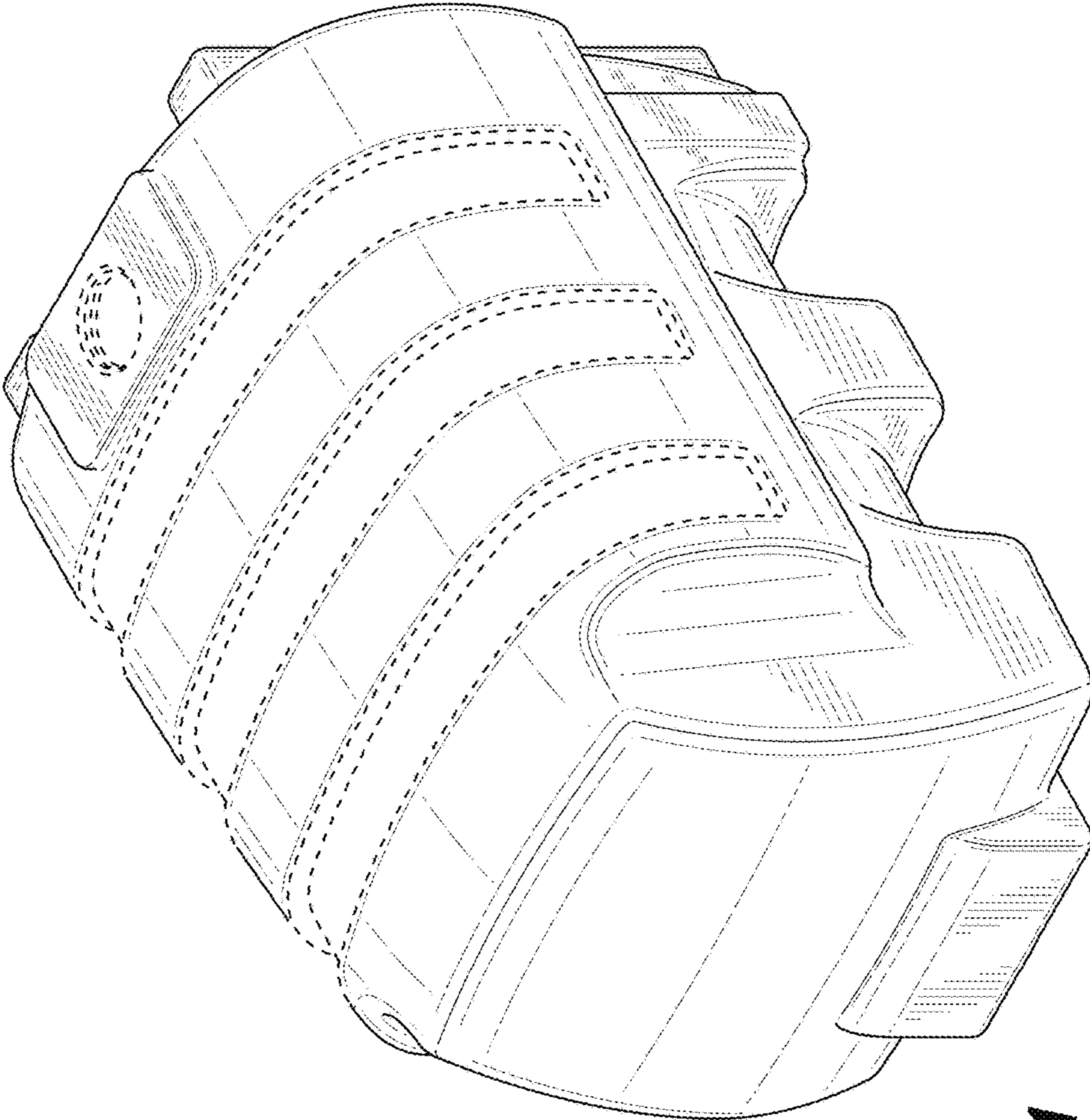


FIG. 1

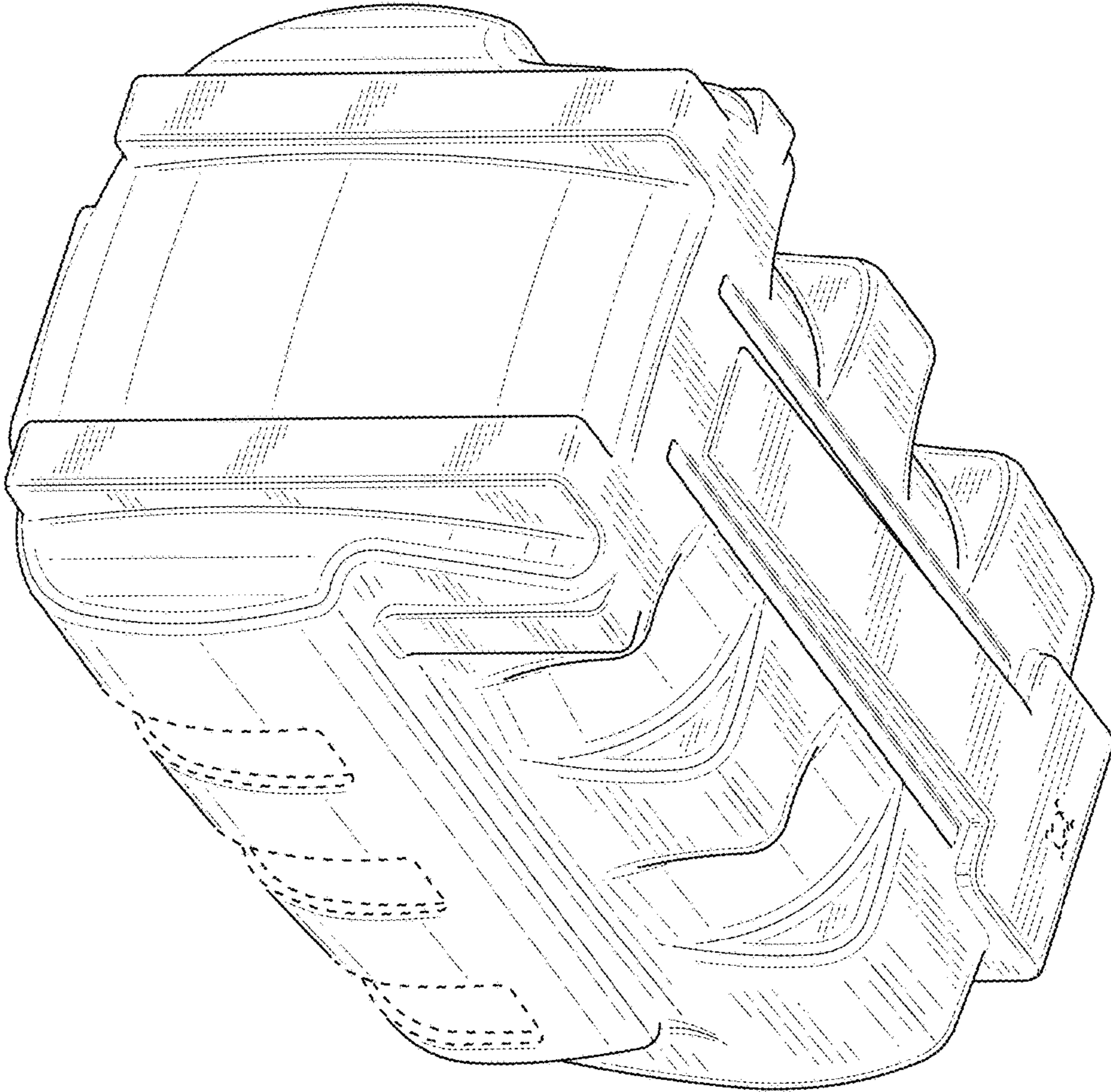


FIG. 2

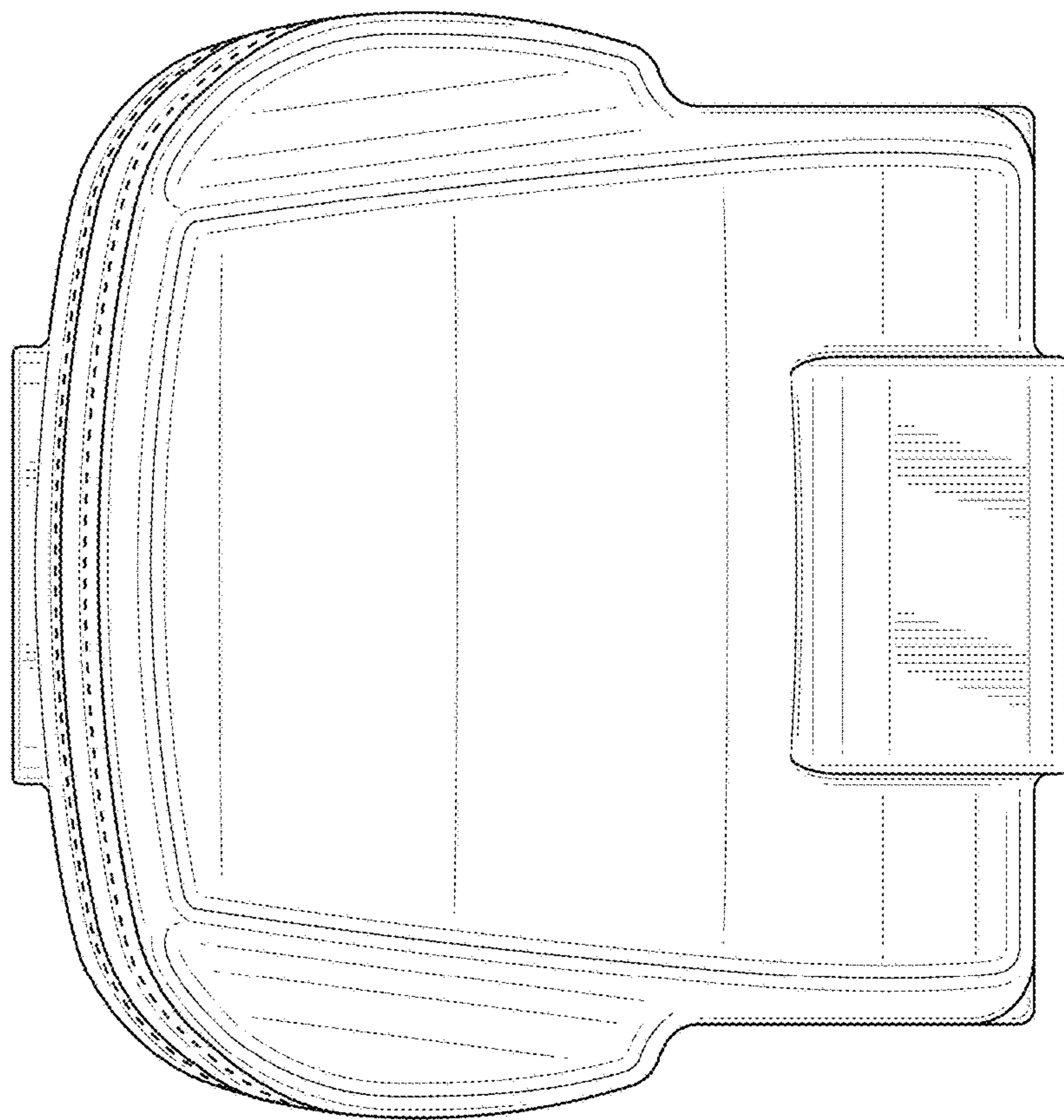


FIG. 3

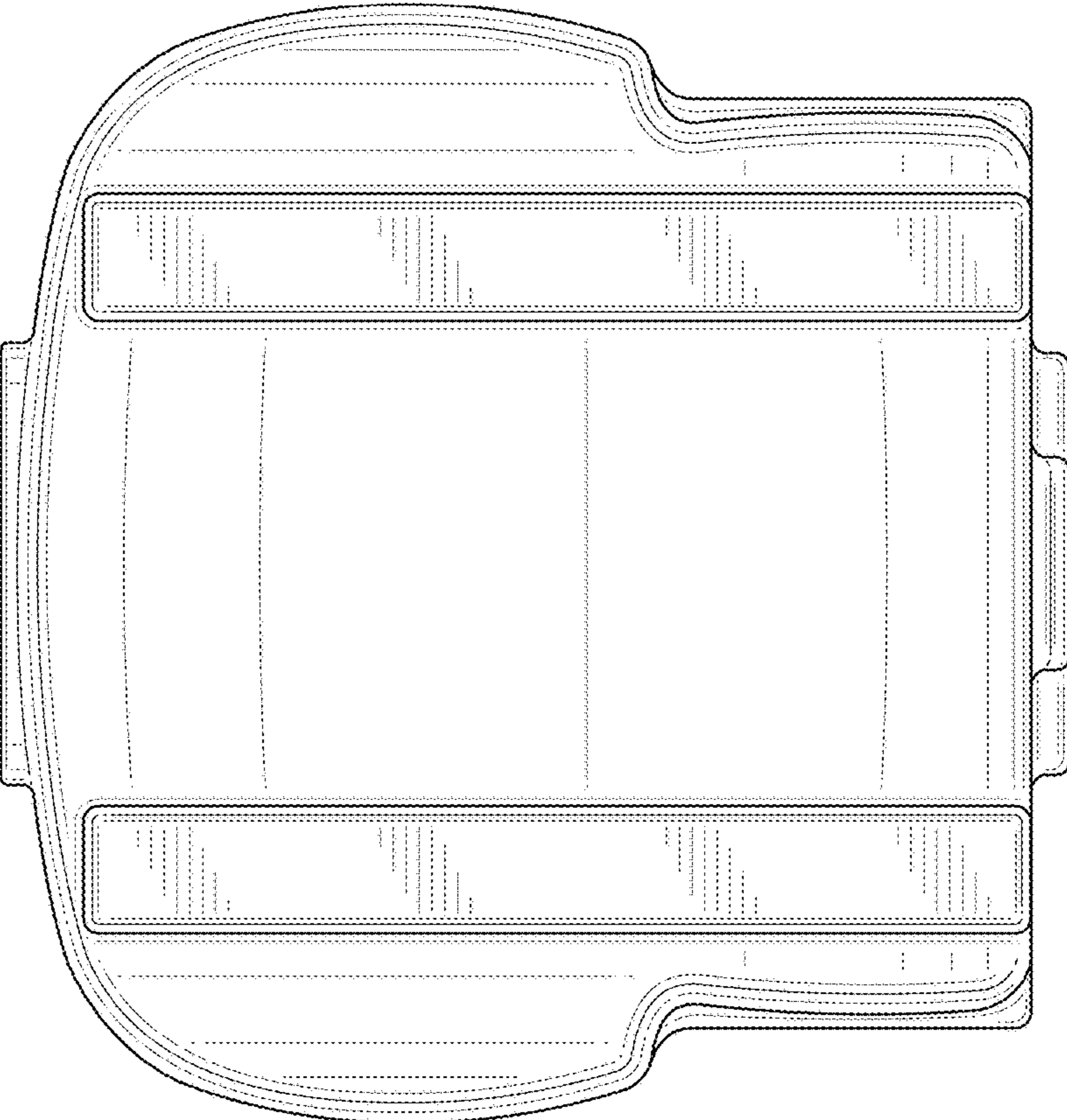


FIG. 4

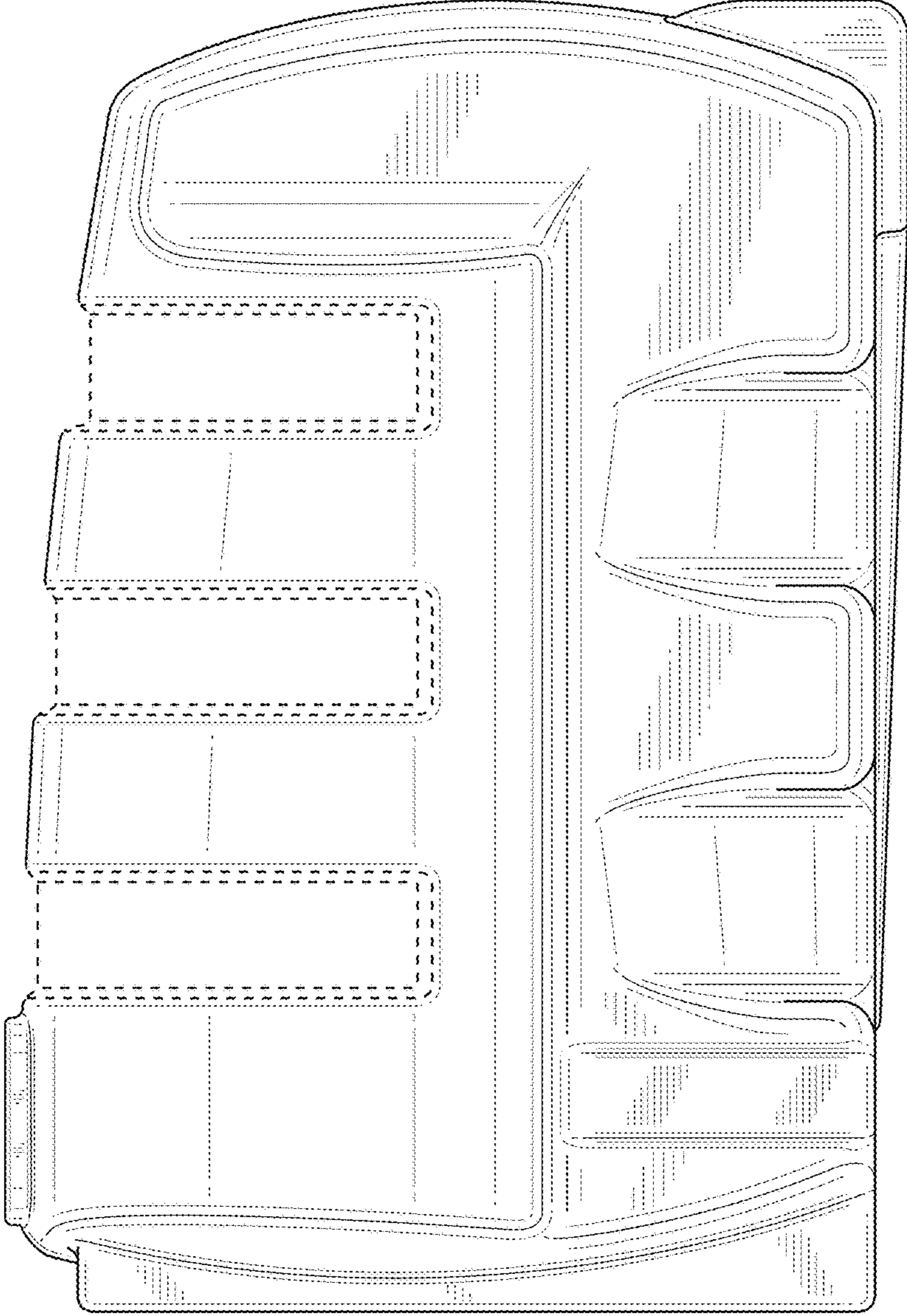


FIG. 5

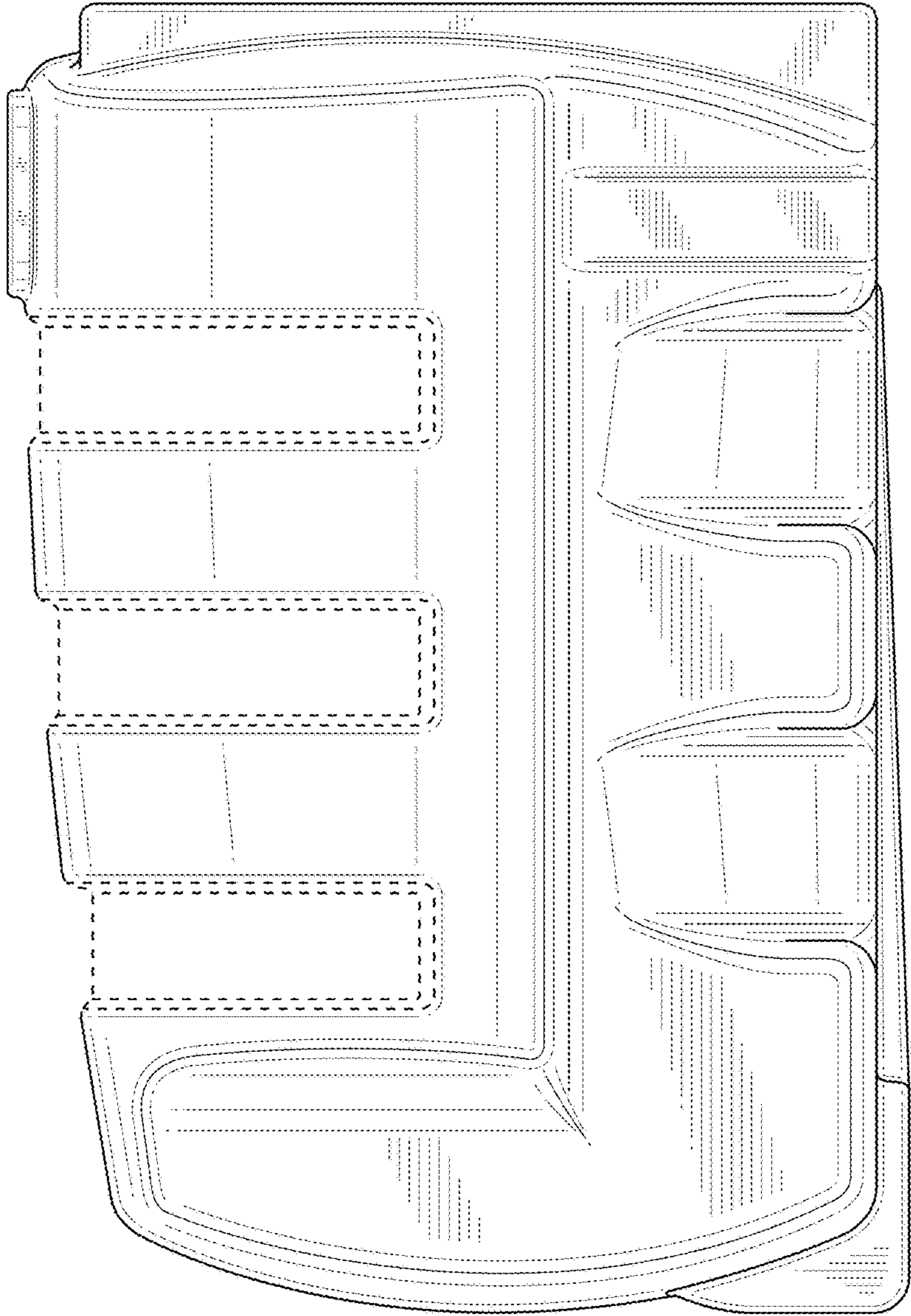


FIG. 6

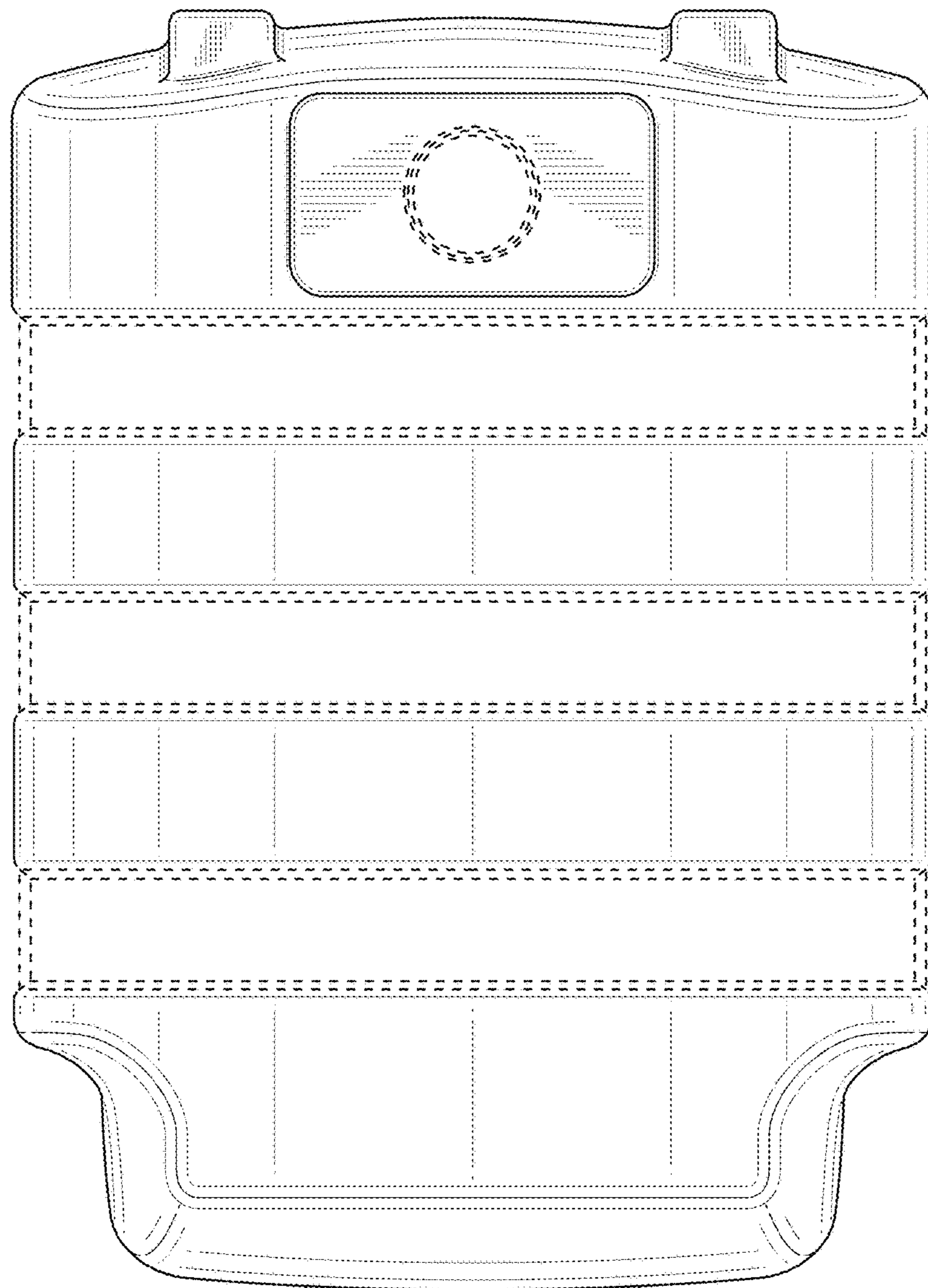


FIG. 7

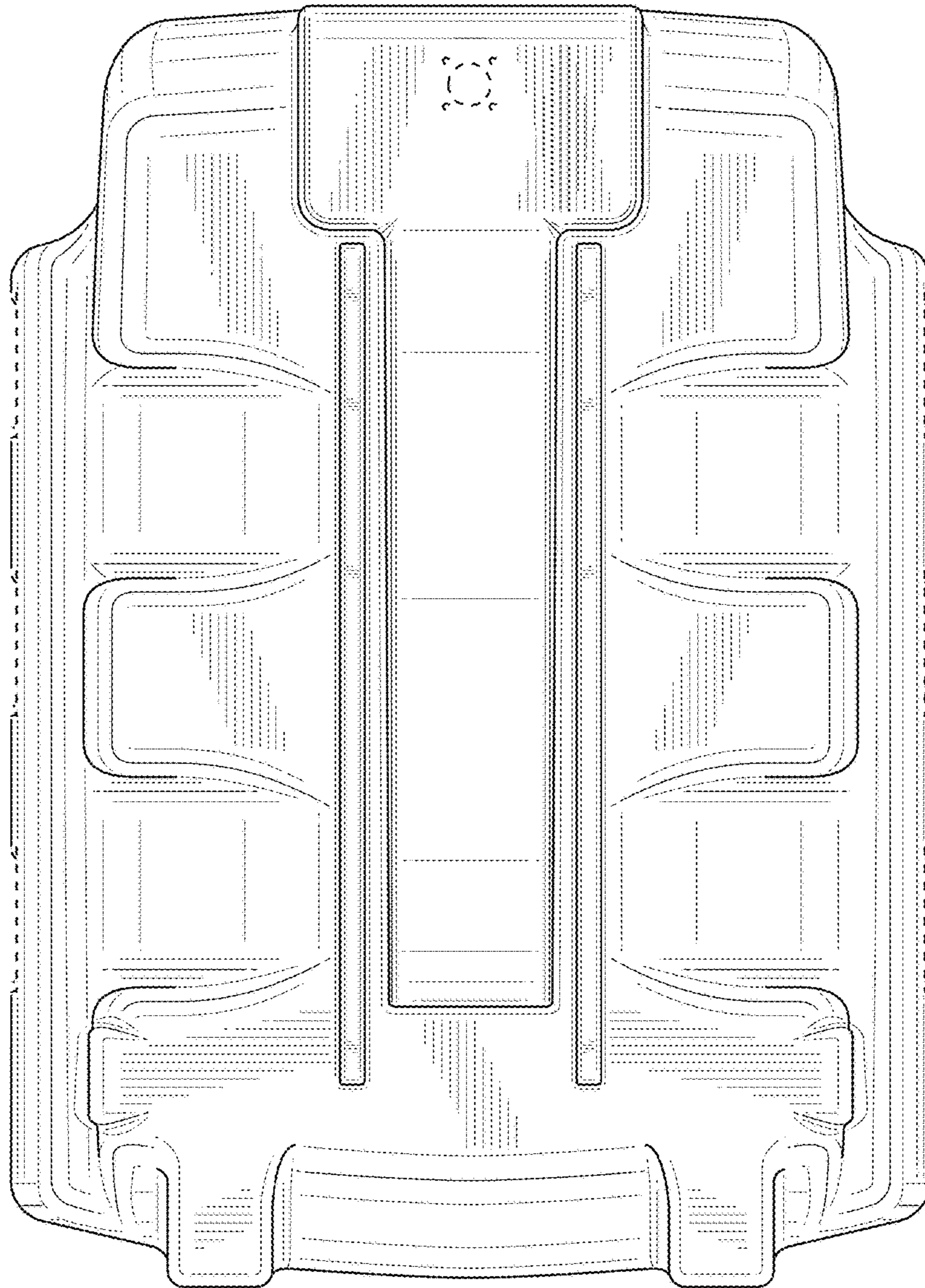


FIG. 8