



US00D864799S

(12) **United States Design Patent** (10) **Patent No.:** **US D864,799 S**
Colletti (45) **Date of Patent:** **** Oct. 29, 2019**

(54) **TIRE LIFTING AND ALIGNMENT APPARATUS**

(71) Applicant: **Peter Colletti**, Prospect Heights, IL (US)

(72) Inventor: **Peter Colletti**, Prospect Heights, IL (US)

(**) Term: **15 Years**

(21) Appl. No.: **29/625,129**

(22) Filed: **Nov. 7, 2017**

(51) **LOC (12) Cl.** **12-16**

(52) **U.S. Cl.**
USPC **D12/160**

(58) **Field of Classification Search**
USPC D12/604, 160, 161, 162, 223, 400;
D8/14, 31, 341, 330
CPC B60B 29/001; B60B 29/002; B60B 35/18;
B60B 37/00; B60G 21/045
See application file for complete search history.

(56) **References Cited**

U.S. PATENT DOCUMENTS

2,260,574 A * 10/1941 Martin B60G 5/02
280/677
3,649,976 A 3/1972 Isom
D255,230 S * 6/1980 Marti D12/160
4,602,415 A * 7/1986 Garcia B60B 29/001
29/273
D289,277 S * 4/1987 Horberg D12/160

(Continued)

FOREIGN PATENT DOCUMENTS

CH 360915 A 4/1962
CN 102275462 A 12/2011

(Continued)

OTHER PUBLICATIONS

AXLETRAC Alignment Tools website, <http://www.axletracalignment-tools.com/our-products/>.

Primary Examiner — Michelle E. Wilson

Assistant Examiner — Clese Moore, Jr.

(74) *Attorney, Agent, or Firm* — Lesley A. Wallerstein, LLC

(57) **CLAIM**

The ornamental design for a tire lifting and alignment apparatus, as shown and described.

DESCRIPTION

FIG. 1 is a perspective view of a tire lifting and alignment apparatus according to the present invention. The automobile and tire depicted in phantom are shown for environmental context only, and form no part of the claimed design. FIG. 2 is a close-up perspective view of the tire lifting and alignment apparatus of FIG. 1. The automobile and tire depicted in phantom are shown for environmental context only, and form no part of the claimed design.

FIG. 3 is an exploded perspective view of the tire lifting and alignment apparatus of FIG. 1.

FIG. 4 is a right view of the tire lifting and alignment apparatus of FIG. 1.

FIG. 5 is a left view of the tire lifting and alignment apparatus of FIG. 1.

FIG. 6 is a front view of the tire lifting and alignment apparatus of FIG. 1.

FIG. 7 is a top view of the tire lifting and alignment apparatus of FIG. 1.

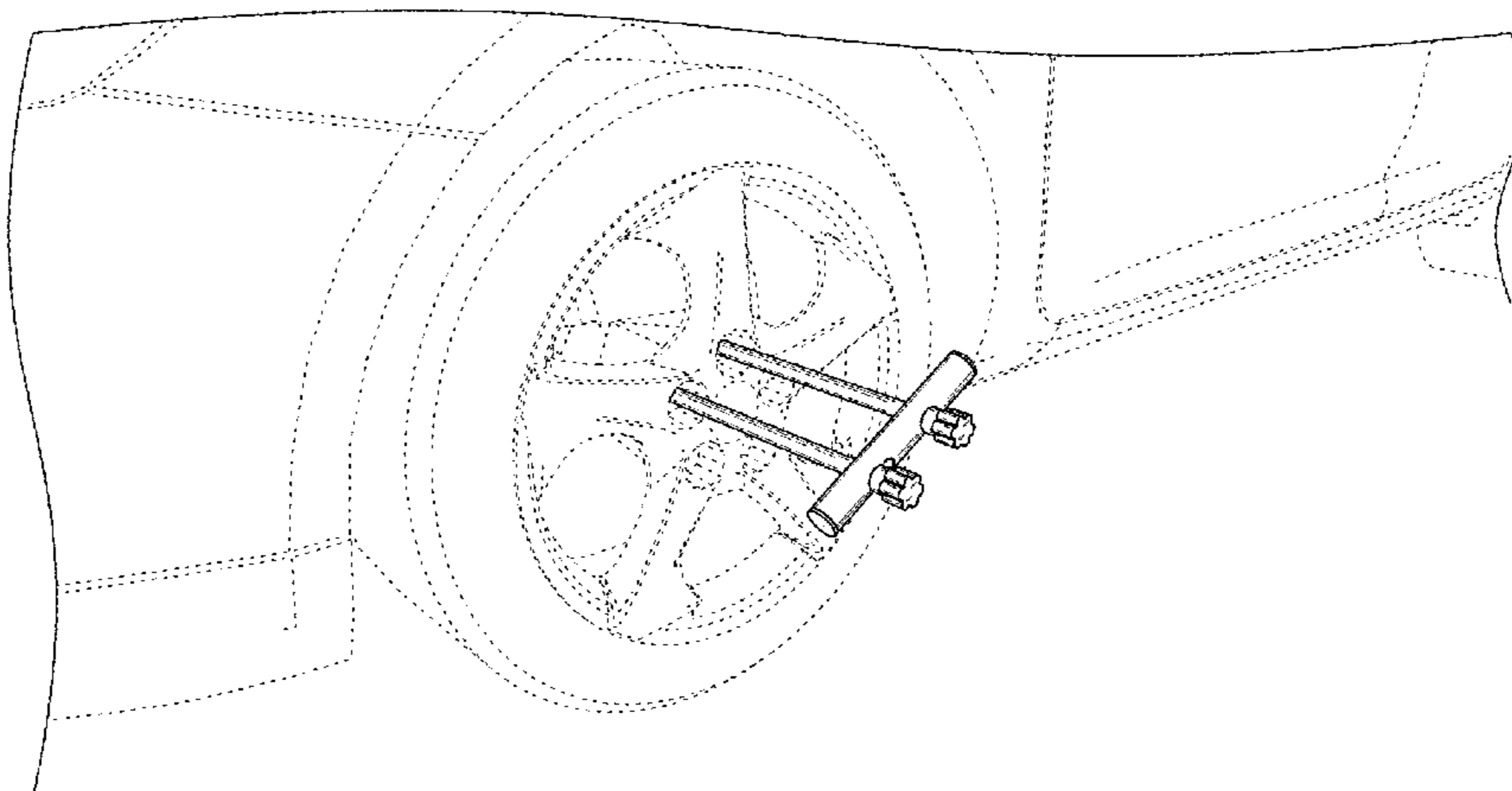
FIG. 8 is a bottom view of the tire lifting and alignment apparatus of FIG. 1.

FIG. 9 is an alternative front view of the tire lifting and alignment apparatus of FIG. 1.

FIG. 10 is a top view of the tire lifting and alignment apparatus of FIG. 1; and,

FIG. 11 is an alternative bottom view of the tire lifting and alignment apparatus of FIG. 1.

1 Claim, 8 Drawing Sheets



(56)

References Cited

U.S. PATENT DOCUMENTS

4,872,694 A * 10/1989 Griesinger B60B 29/002
 280/79.4
 D343,997 S 2/1994 Smith
 D368,416 S * 4/1996 Holman D8/14
 D404,704 S * 1/1999 Adams D12/223
 5,897,171 A 4/1999 Seifert
 D436,562 S * 1/2001 Richardson D12/604
 6,298,535 B1 10/2001 Lower
 6,341,411 B1 * 1/2002 Lower B60B 29/001
 29/273
 D463,333 S * 9/2002 McCoy D12/162
 D487,683 S * 3/2004 Kliskey D8/31
 D496,610 S * 9/2004 Belair D12/160
 D622,567 S * 8/2010 Maldonado D34/28
 D623,576 S * 9/2010 Lemieux D12/223
 D649,496 S * 11/2011 Hubbuch D12/160
 D692,802 S * 11/2013 Tollenaere D12/162
 D828,239 S * 9/2018 Williams D12/162
 2009/0045602 A1 * 2/2009 Khan G01B 5/255
 280/405.1
 2009/0123258 A1 5/2009 Campbell
 2012/0266429 A1 10/2012 Sugito

FOREIGN PATENT DOCUMENTS

CN 203432804 U 2/2014
 GB 723297 A 2/1955
 GB 2220174 A 1/1990

* cited by examiner

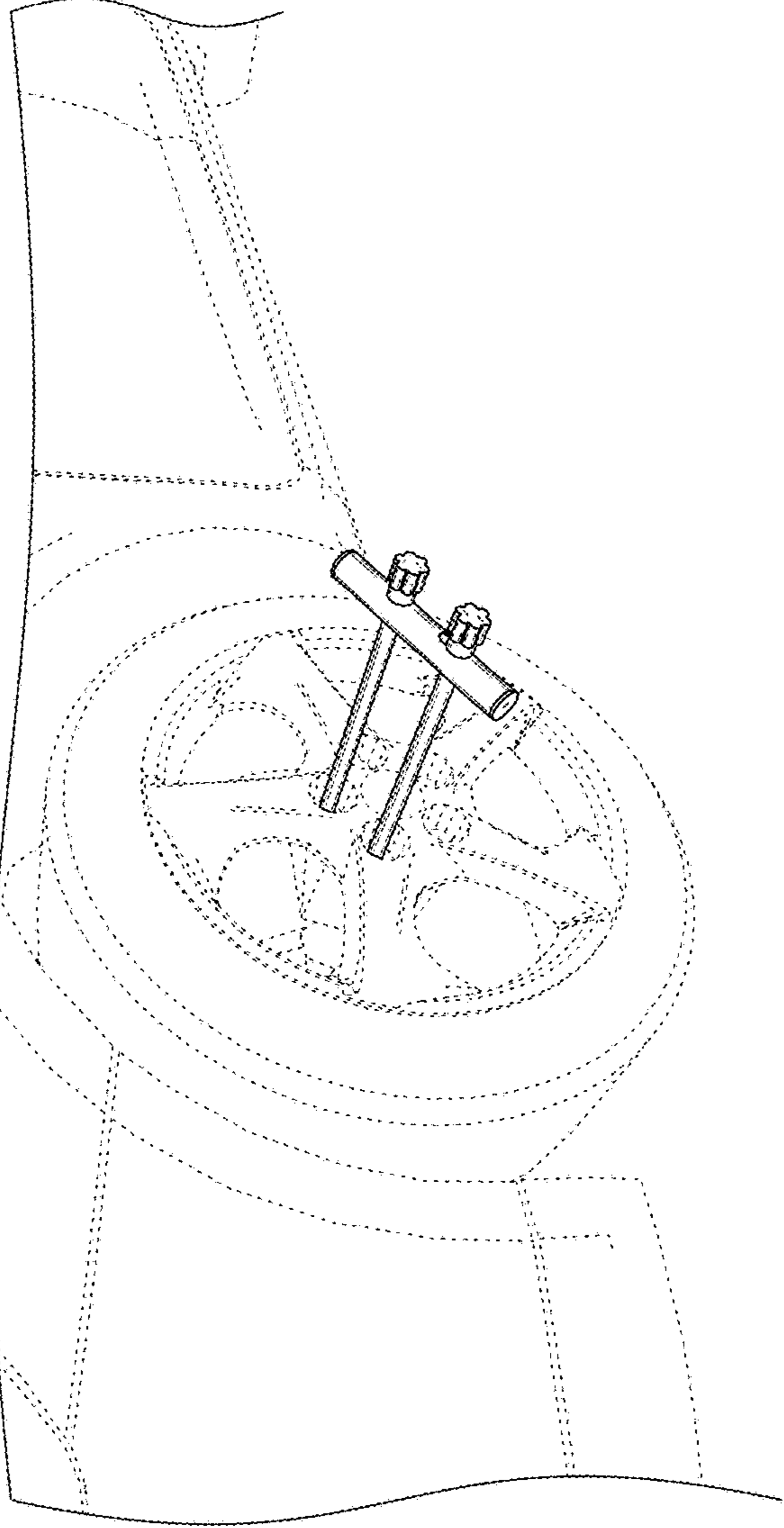


FIG. 1

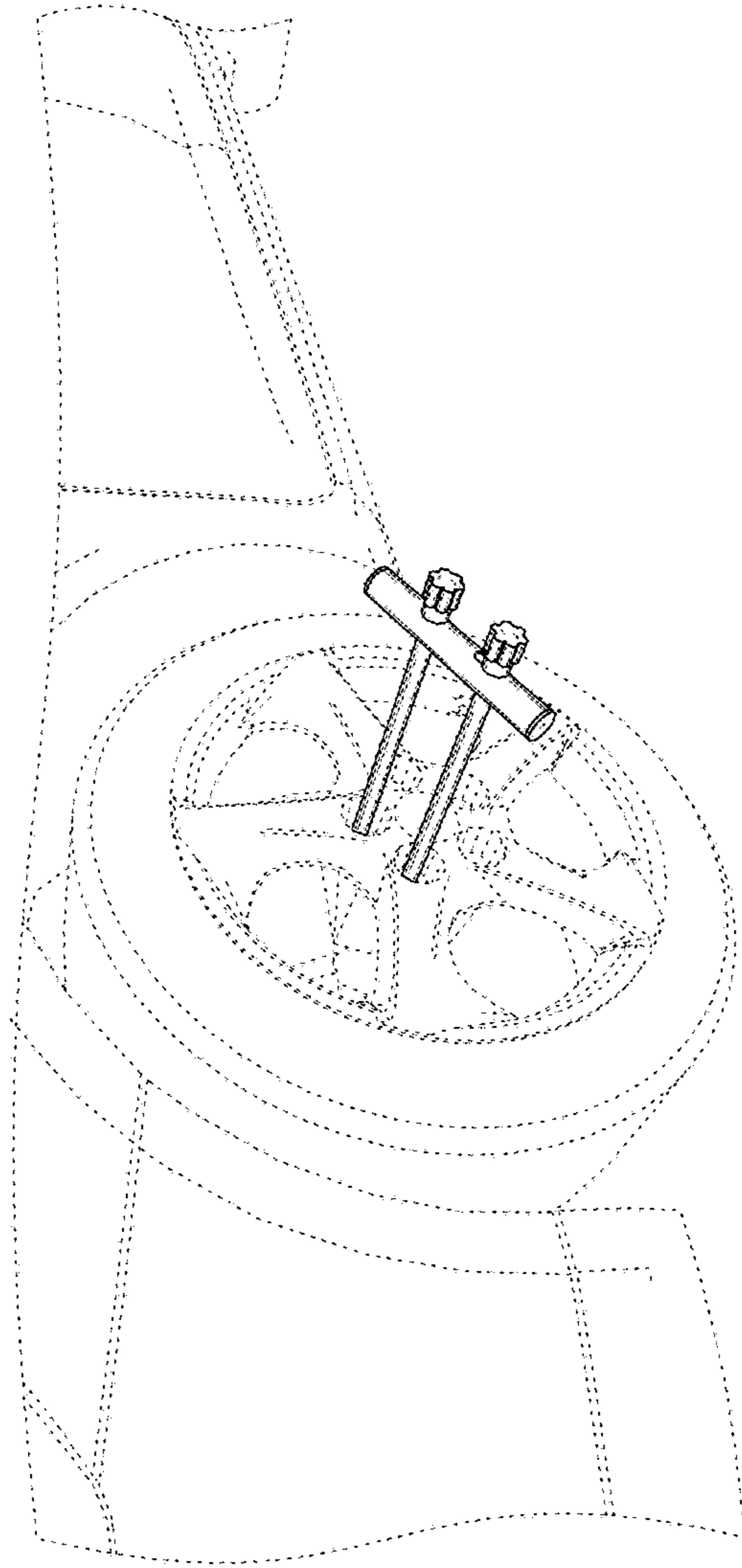


FIG. 2

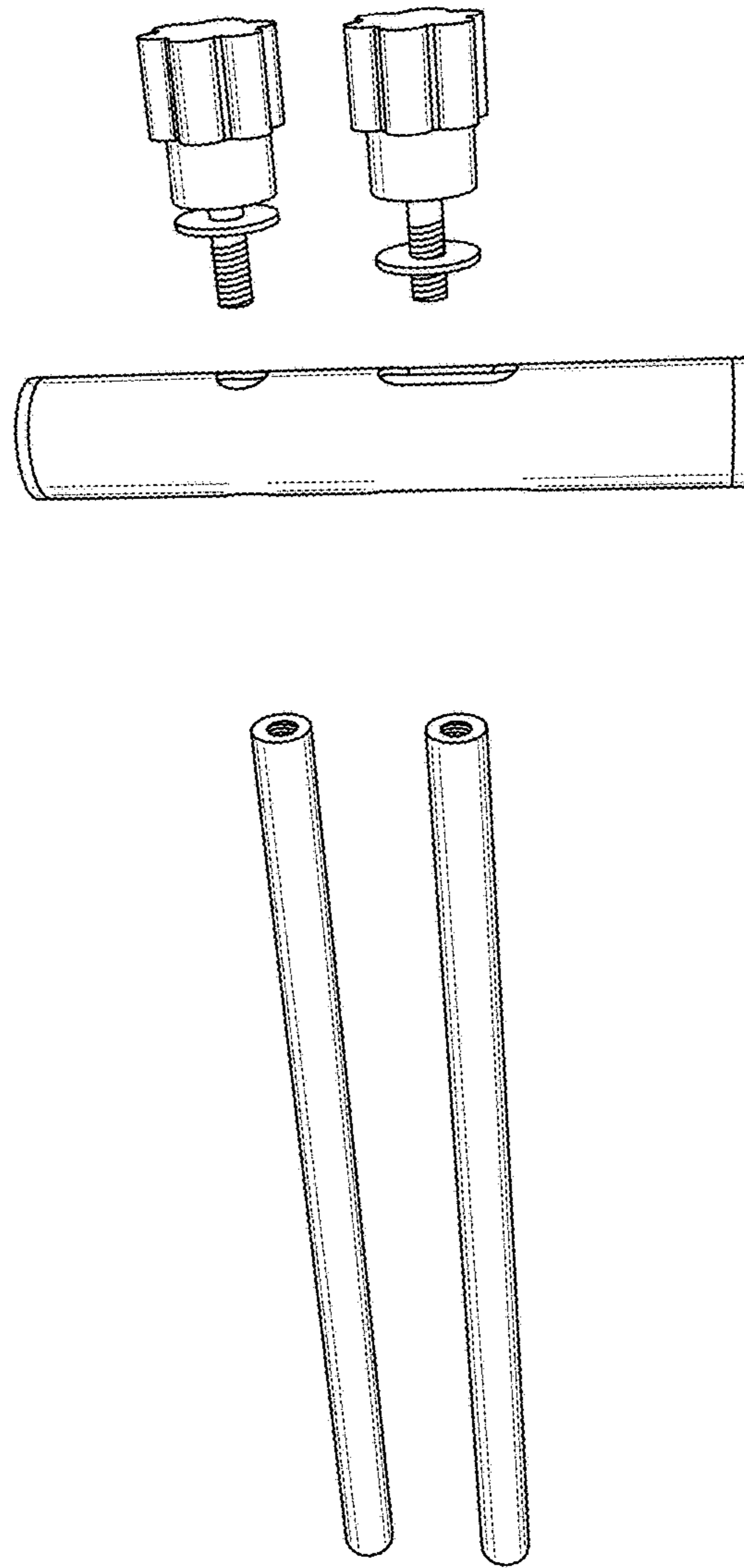


FIG. 3

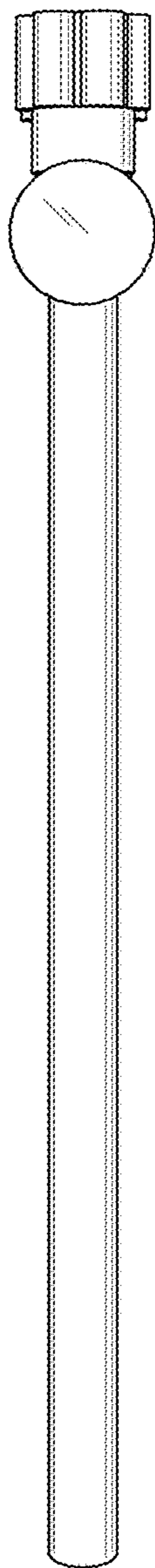


FIG. 4

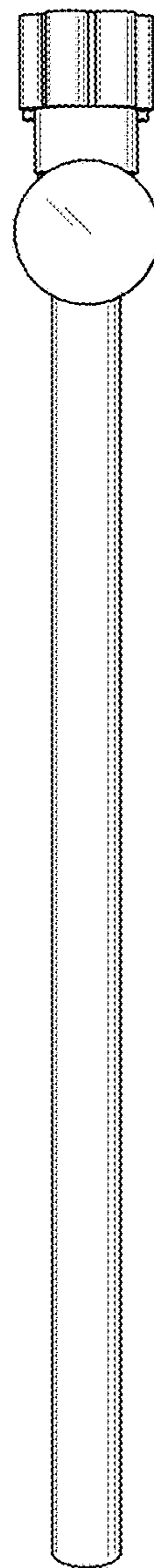


FIG. 5

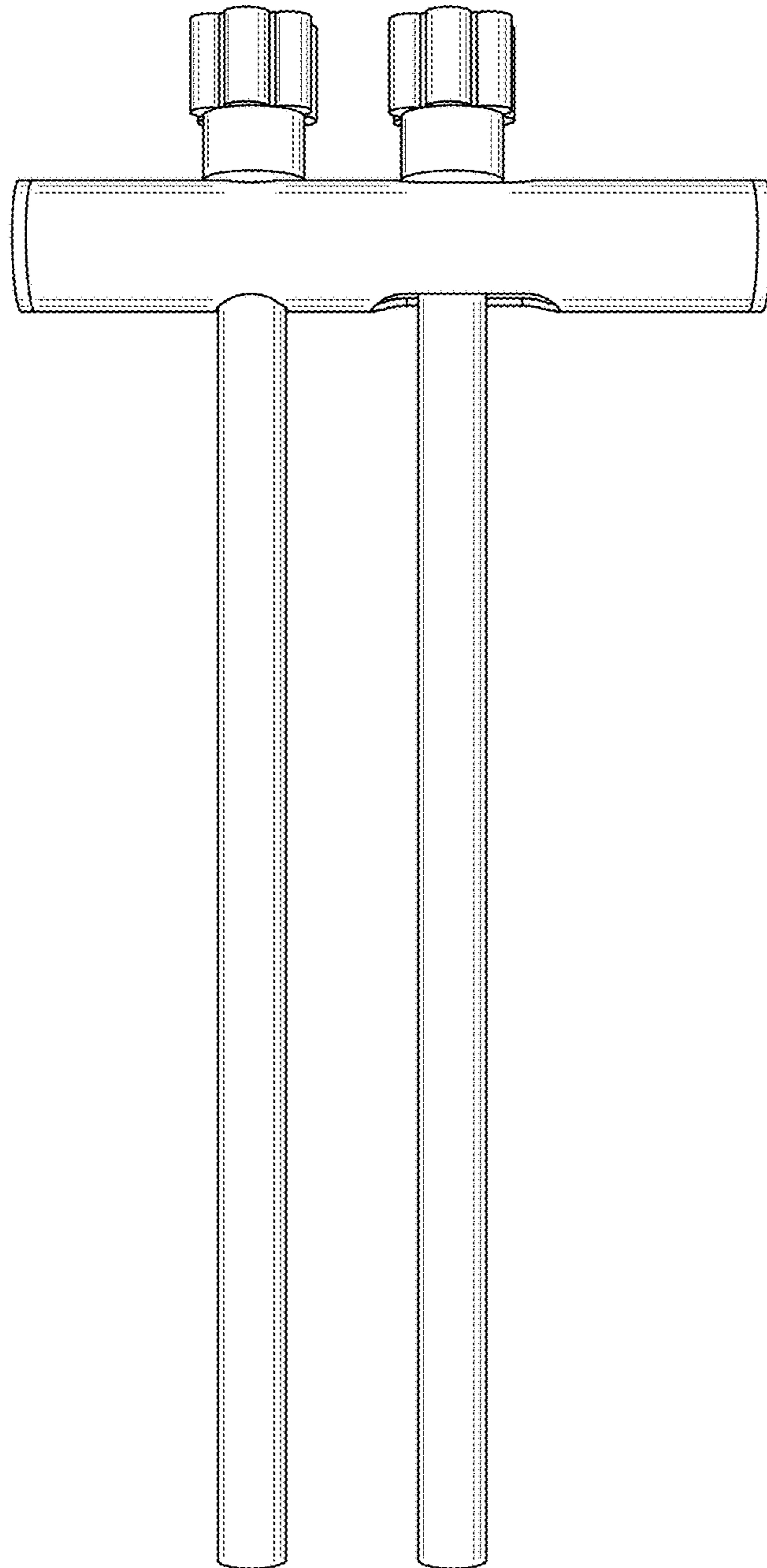


FIG. 6

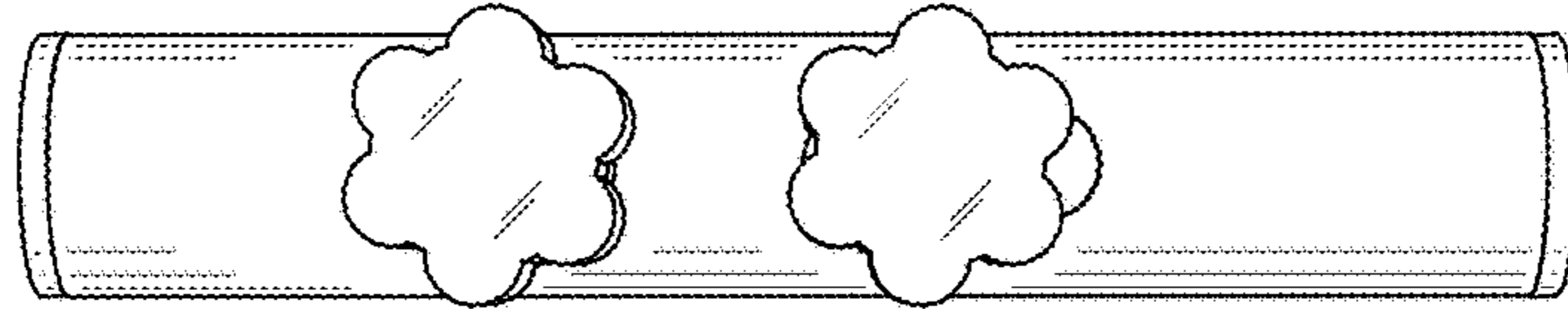


FIG. 7

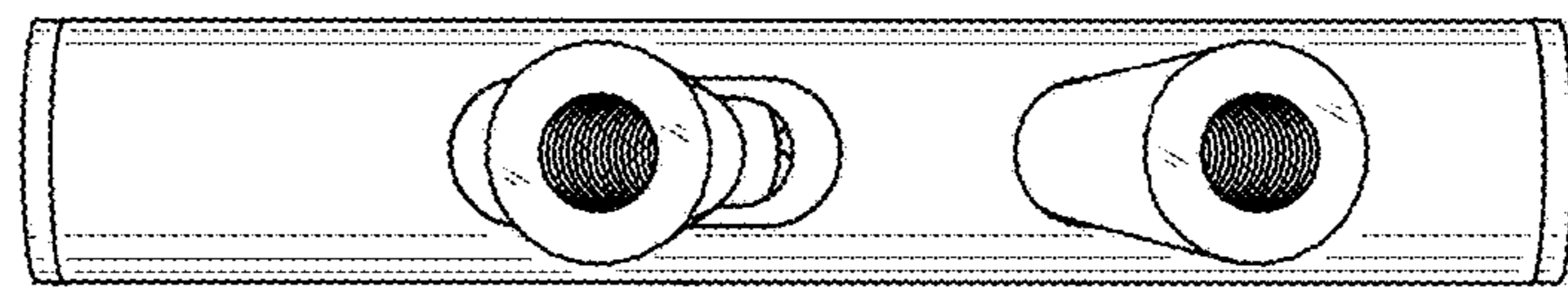


FIG. 8

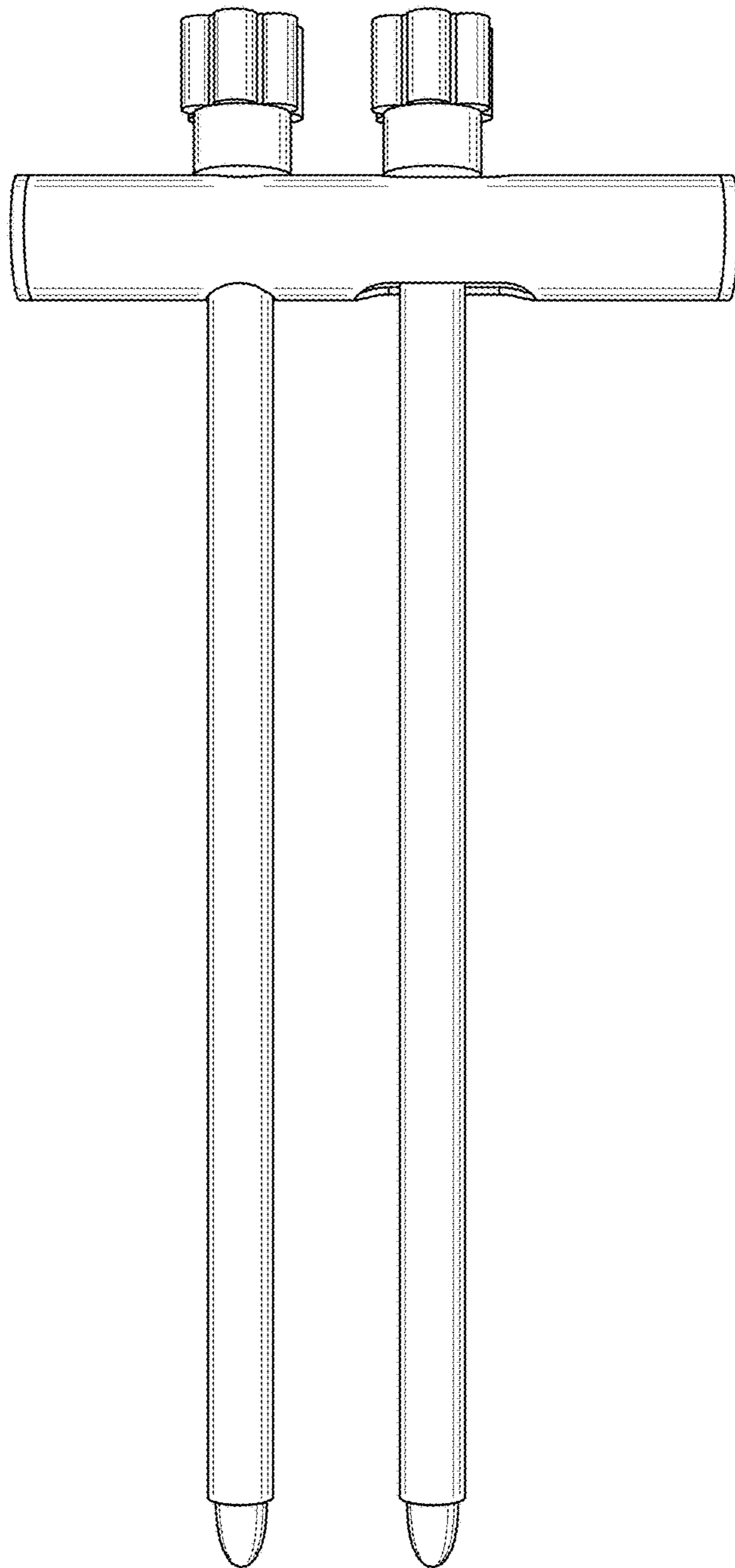


FIG. 9

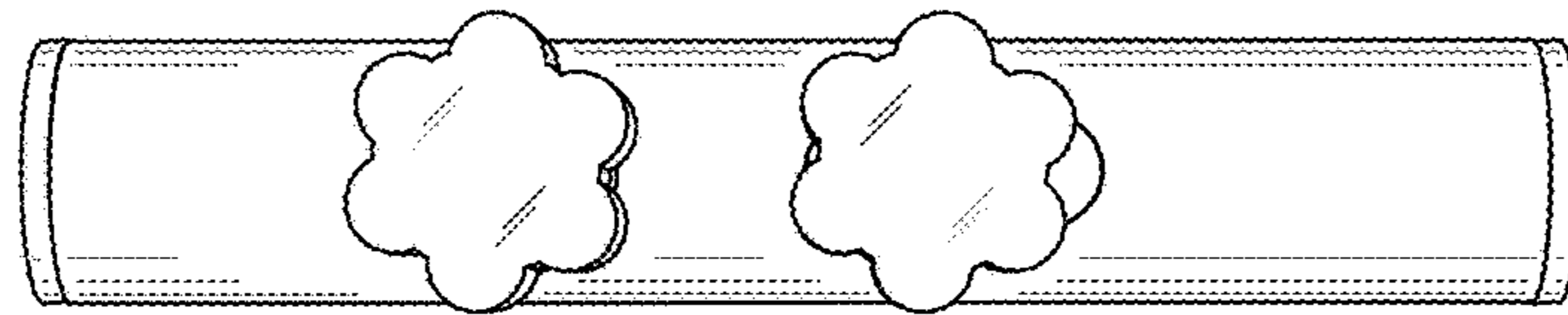


FIG. 10

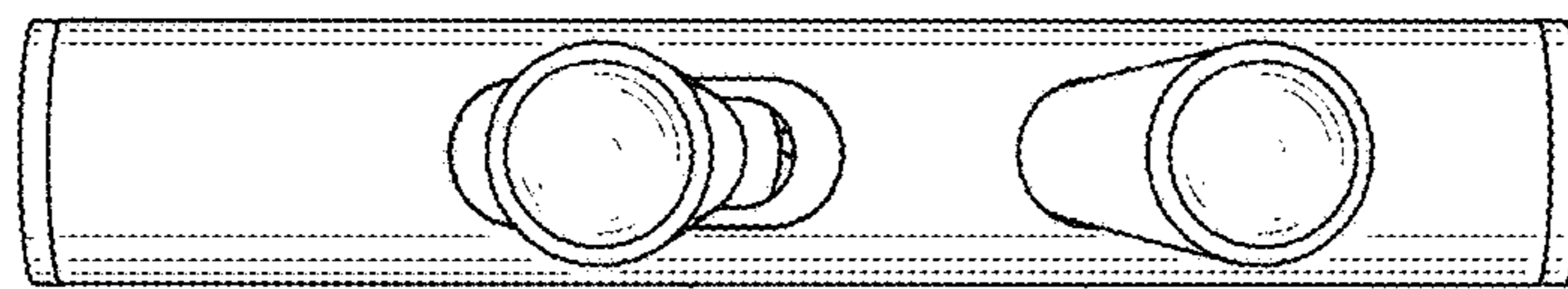


FIG. 11