



US00D863909S

(12) **United States Design Patent**
Suzuki et al.

(10) **Patent No.:** **US D863,909 S**
(45) **Date of Patent:** **** Oct. 22, 2019**

- (54) **PORTABLE ELECTRIC ROUTER** 7,946,318 B2 * 5/2011 Carroll B27C 5/10
144/136.95
- (71) Applicant: **MAKITA CORPORATION**, Anjo-shi, D644,899 S * 9/2011 Okuda D8/70
Aichi (JP) 8,545,143 B2 * 10/2013 Liu B27C 5/10
144/136.95
- (72) Inventors: **Wataru Suzuki**, Anjo (JP); **Takuji** 8,747,036 B2 * 6/2014 Kato B25F 5/021
Kimura, Anjo (JP) 144/136.95
- (73) Assignee: **MAKITA CORPORATION**, Anjo-Shi 9,302,406 B2 * 4/2016 Kato B25F 5/021
(JP) 9,604,385 B2 * 3/2017 Tanabe B27C 5/10

- (**) Term: **15 Years**
- (21) Appl. No.: **29/600,260**
- (22) Filed: **Apr. 11, 2017**

- (30) **Foreign Application Priority Data**
- Oct. 12, 2016 (JP) 2016-022120
- (51) **LOC (12) Cl.** **08-05**
- (52) **U.S. Cl.**
- USPC **D8/61**
- (58) **Field of Classification Search**
- USPC D15/124-127, 130, 131, 138, 141; D8/8,
D8/66, 70, 61
- CPC B27C 5/02; B27C 5/10; B27C 5/04; B27C
5/06; B27C 9/02; B23Q 3/005; B23Q
3/002; B23Q 11/06
- See application file for complete search history.

- (56) **References Cited**
- U.S. PATENT DOCUMENTS
- D473,439 S * 4/2003 Grant 409/182
- D495,226 S * 8/2004 Grant D8/61
- D511,079 S * 11/2005 Ozawa D8/67
- D538,614 S * 3/2007 Aglassinger D8/61
- D567,613 S * 4/2008 Steinfels D8/67
- 7,900,662 B2 * 3/2011 Wall B27C 5/10
144/136.95
- 7,934,961 B2 * 5/2011 Damodharan B27C 5/10
439/660

OTHER PUBLICATIONS

Makita General Catalogue 2016; Model No. RT0700C; Japan.
* cited by examiner

Primary Examiner — Rosemary K Tarcza
Assistant Examiner — Nathaniel D. Buckner
(74) *Attorney, Agent, or Firm* — Global IP Counselors,
LLP

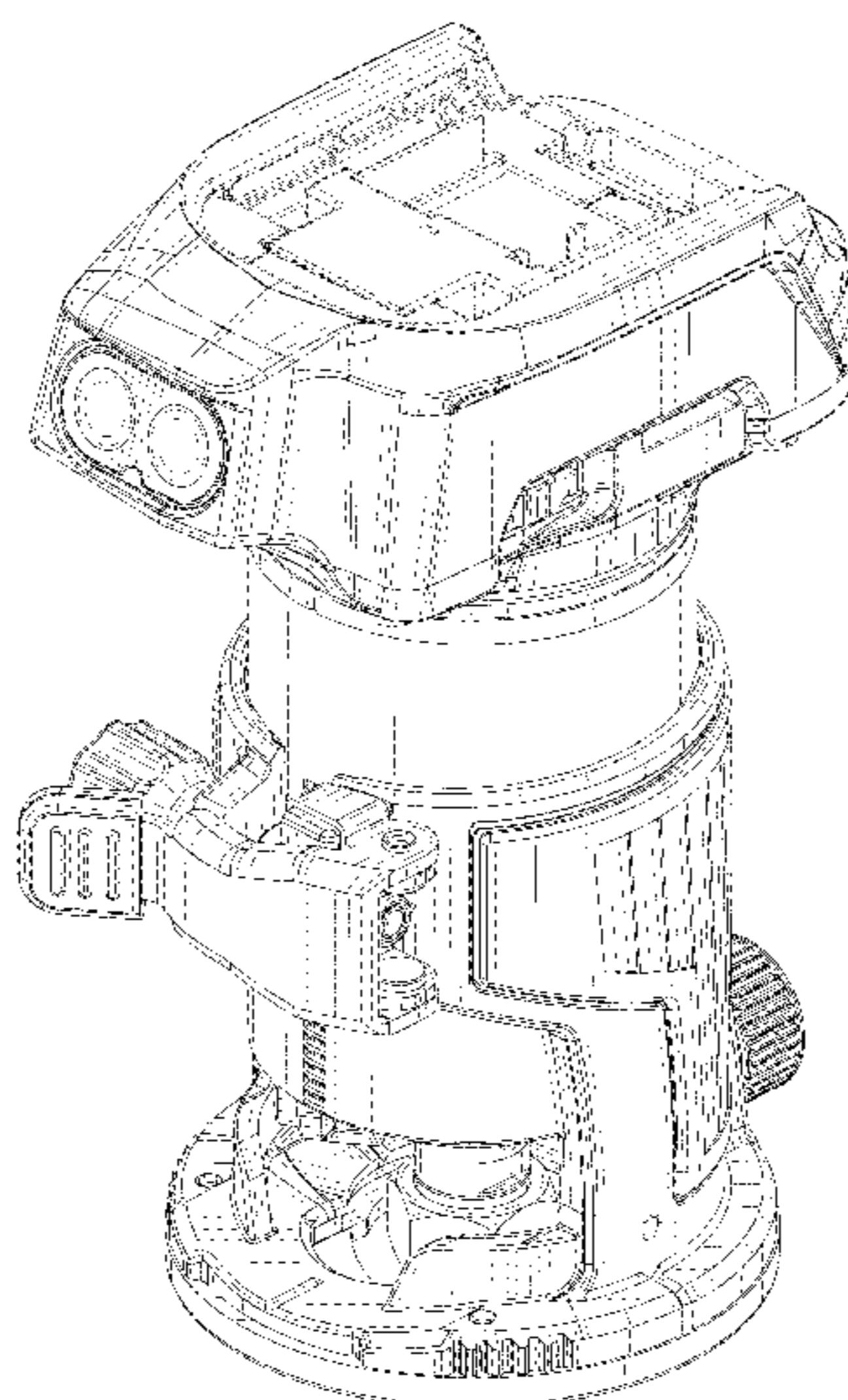
(57) **CLAIM**

The ornamental design for a portable electric router, as shown and described.

DESCRIPTION

FIG. 1 is a front perspective view of a portable electric router showing our new design;
FIG. 2 is a rear perspective view thereof;
FIG. 3 is a right elevation view thereof;
FIG. 4 is a left elevation view thereof;
FIG. 5 is a top plan view thereof;
FIG. 6 is a bottom plan view thereof;
FIG. 7 is a rear elevation view thereof;
FIG. 8 is a front elevation view thereof; and,
FIG. 9 is a second front perspective view thereof, shown in an environment of use.
The broken lines in the figures depict portions of the portable electric router and environmental structure which form no part of the claimed design.

1 Claim, 9 Drawing Sheets



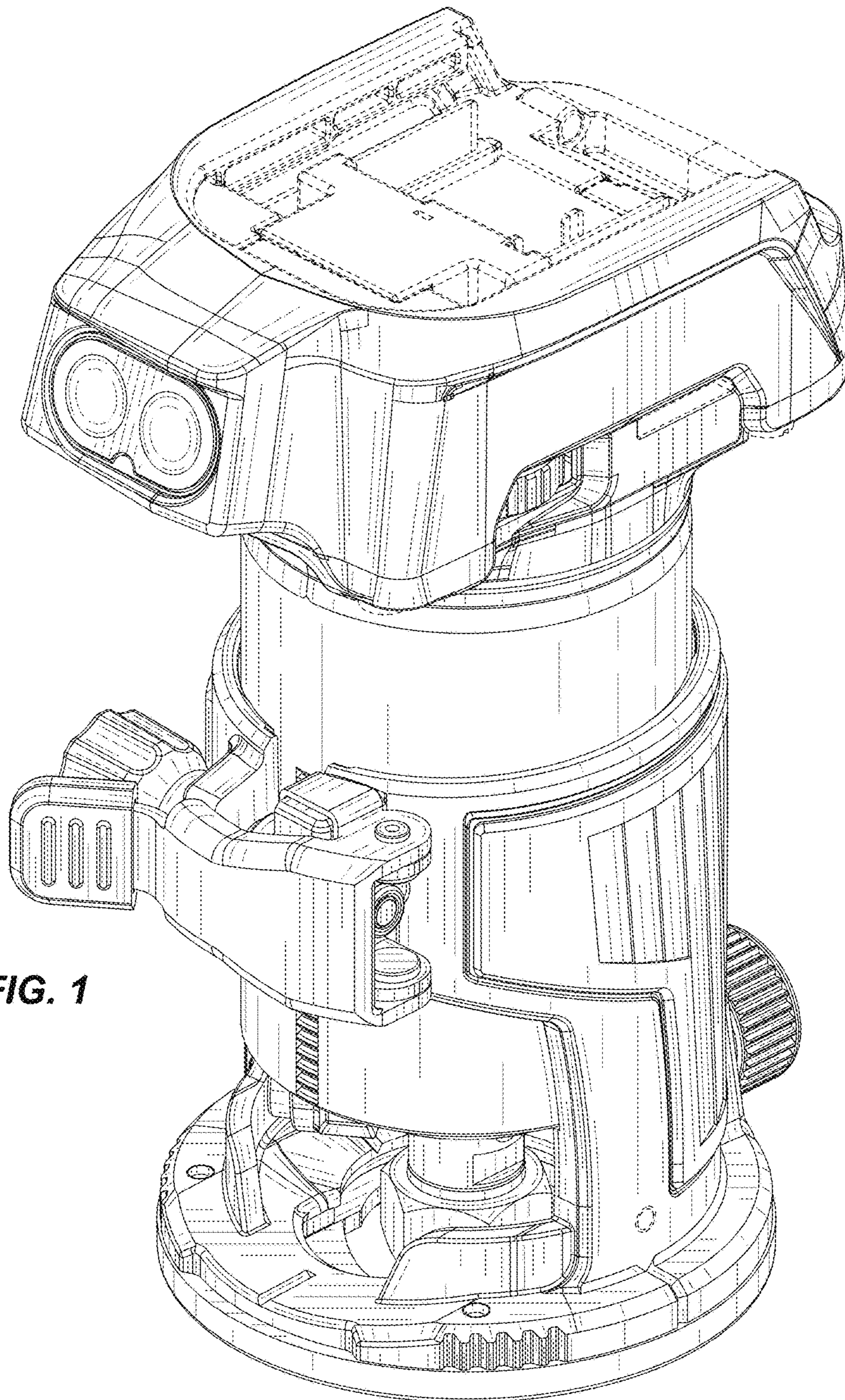


FIG. 1

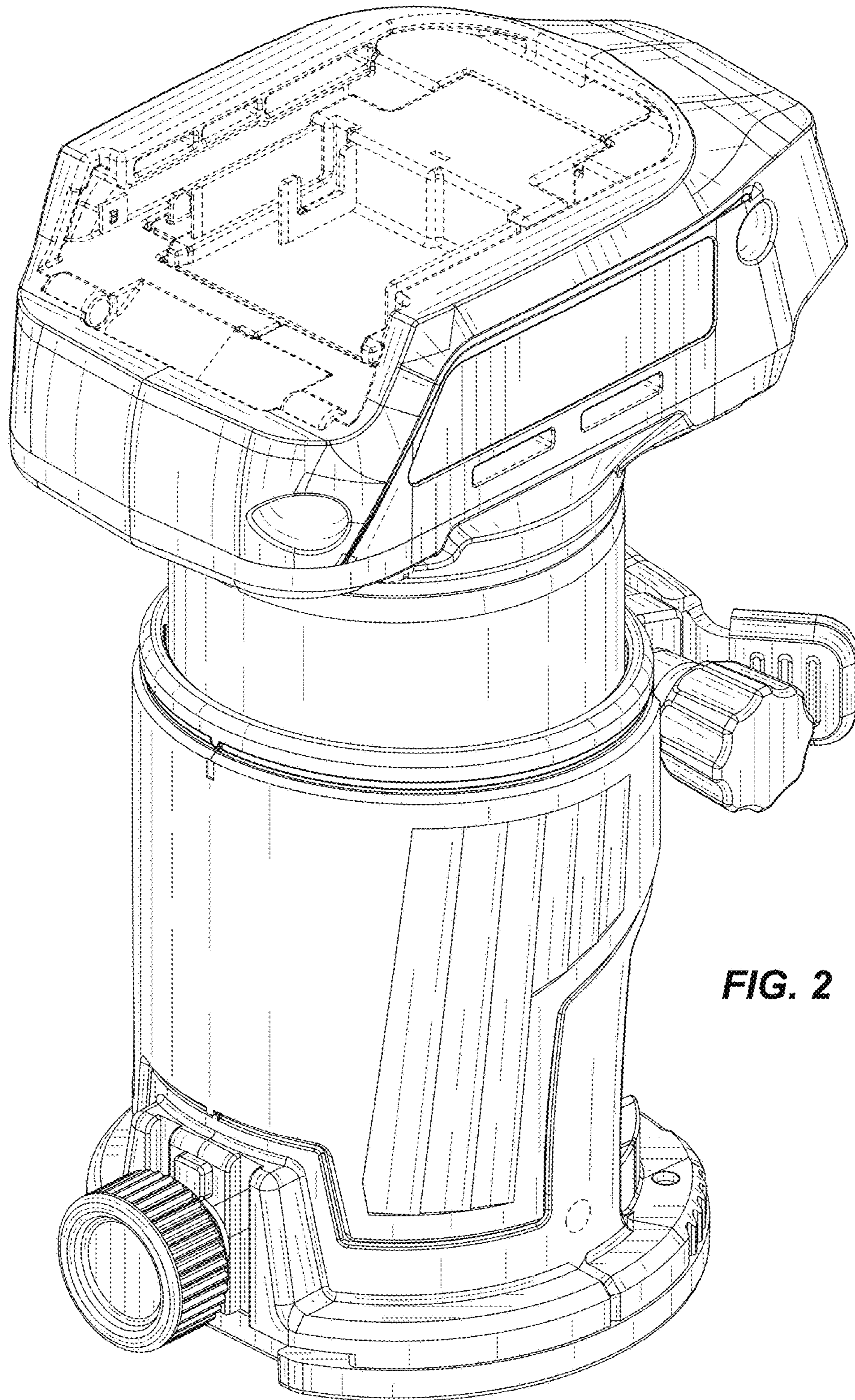


FIG. 2

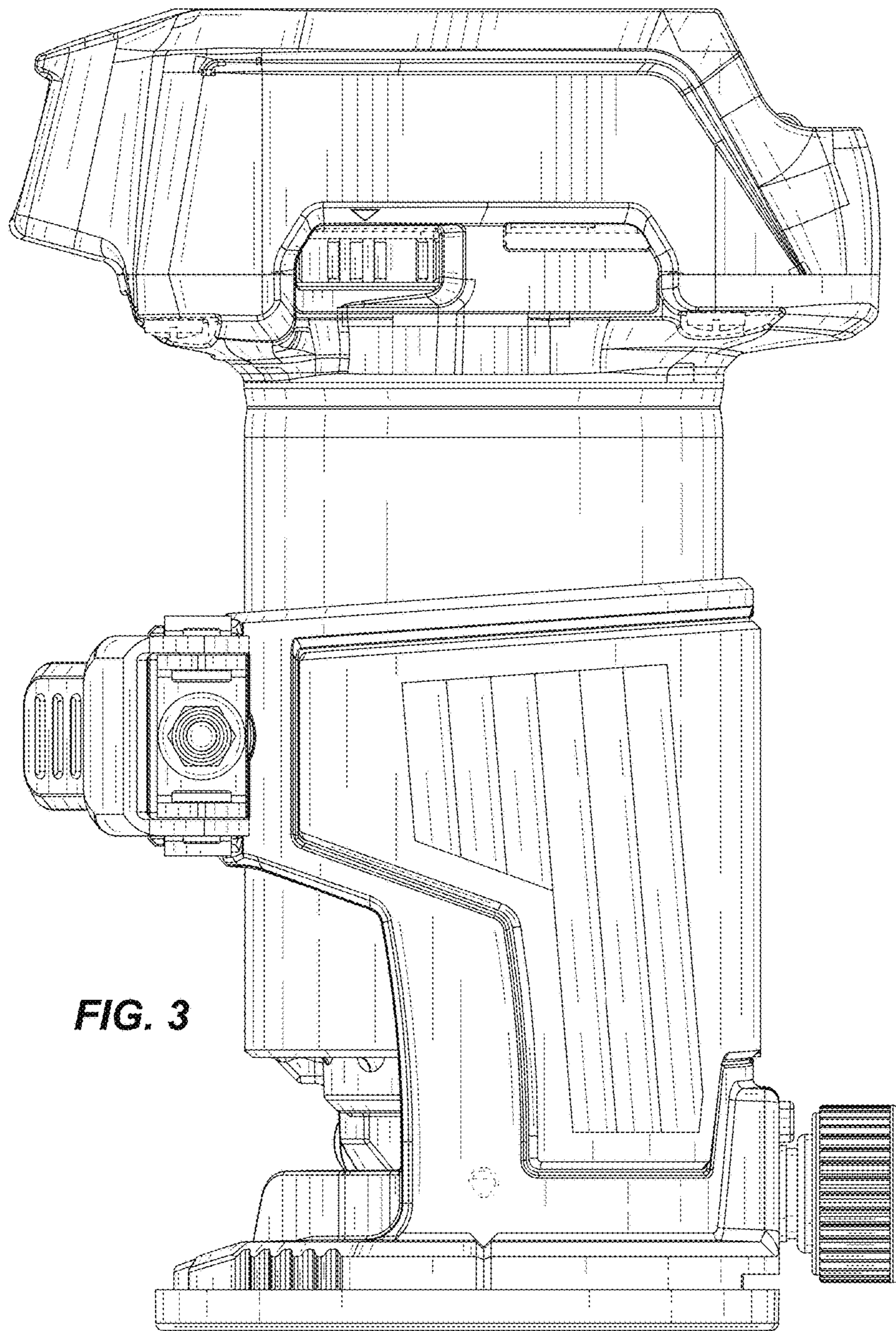


FIG. 3

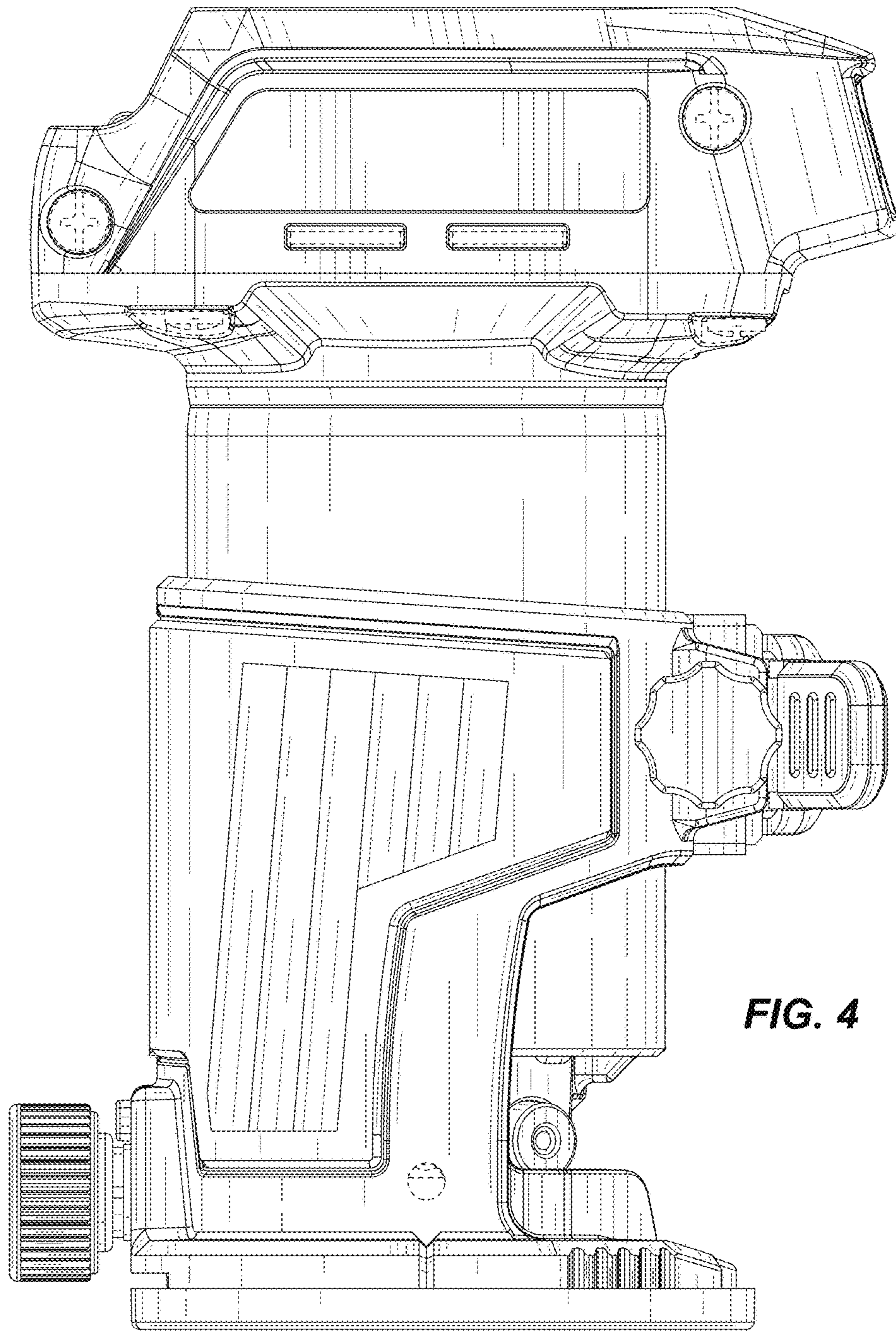


FIG. 4

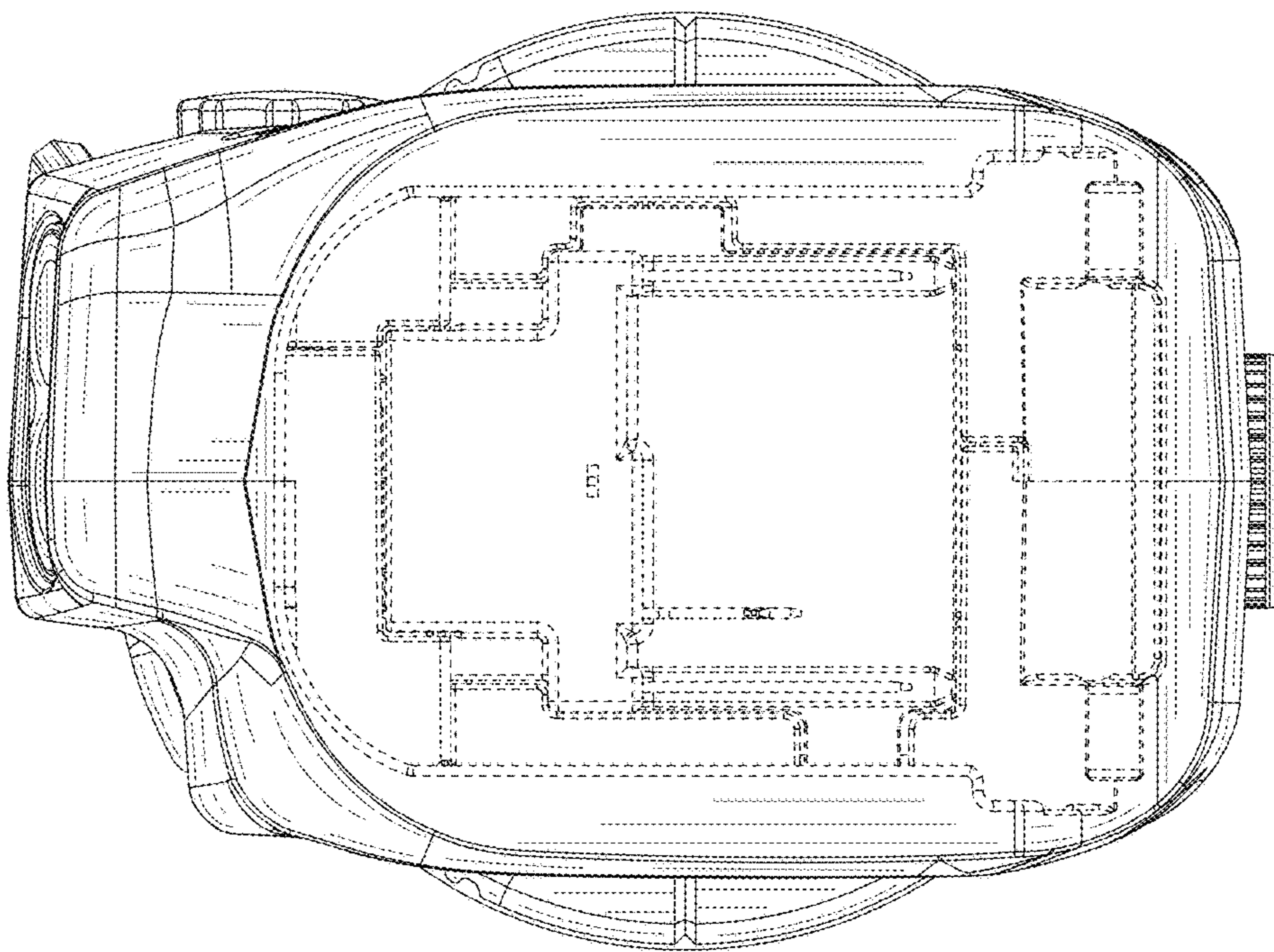


FIG. 5

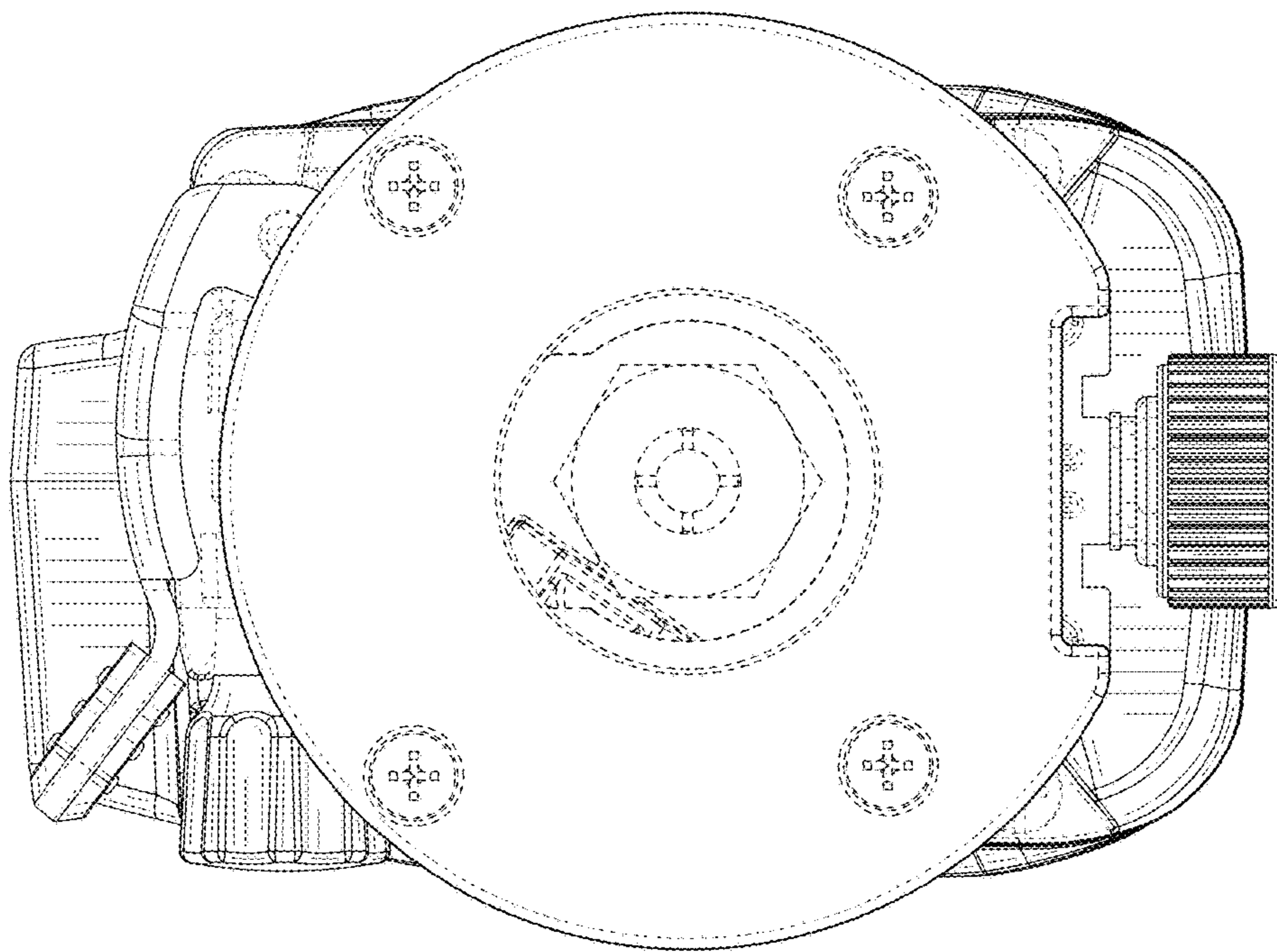


FIG. 6

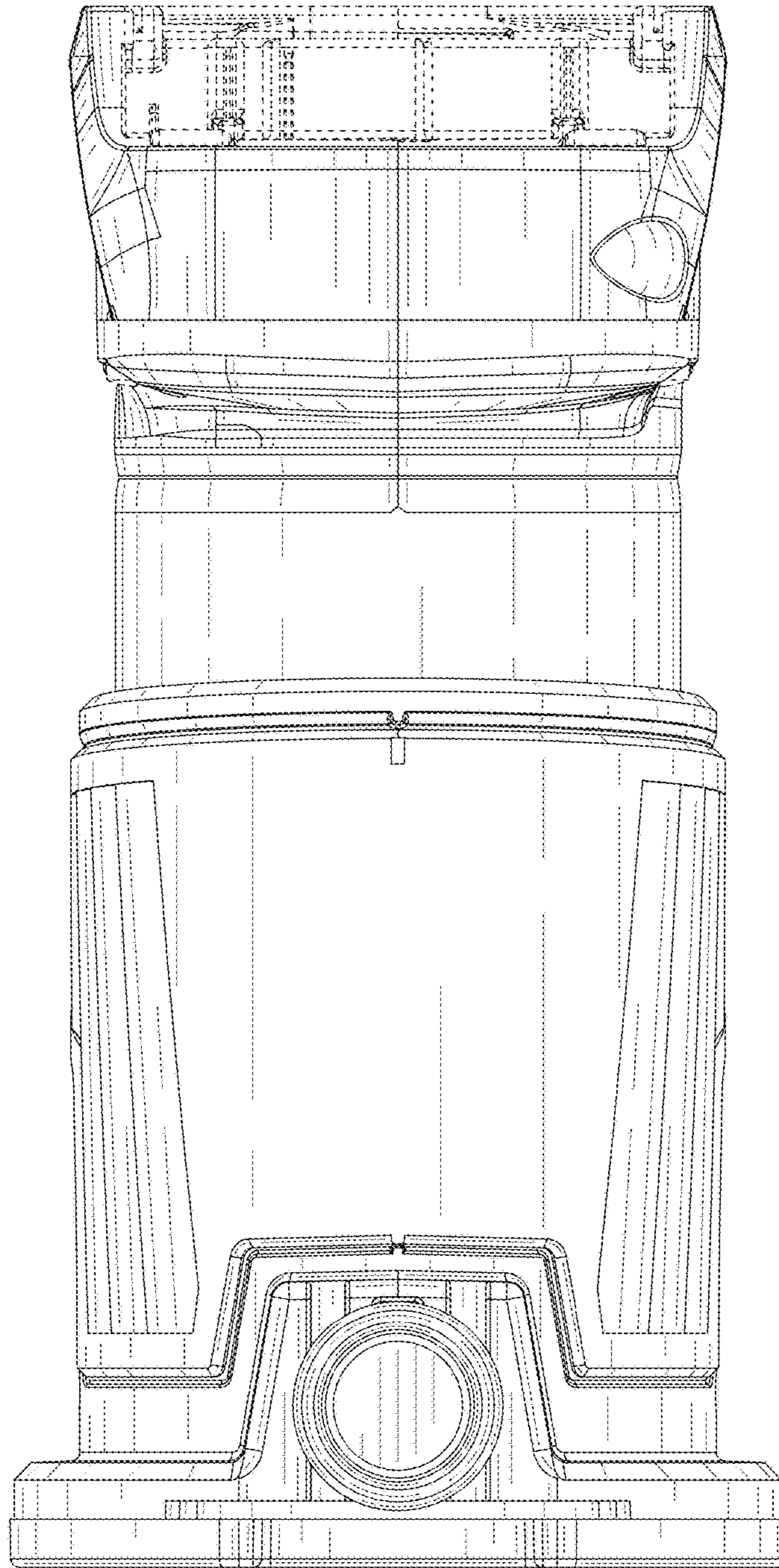


FIG. 7

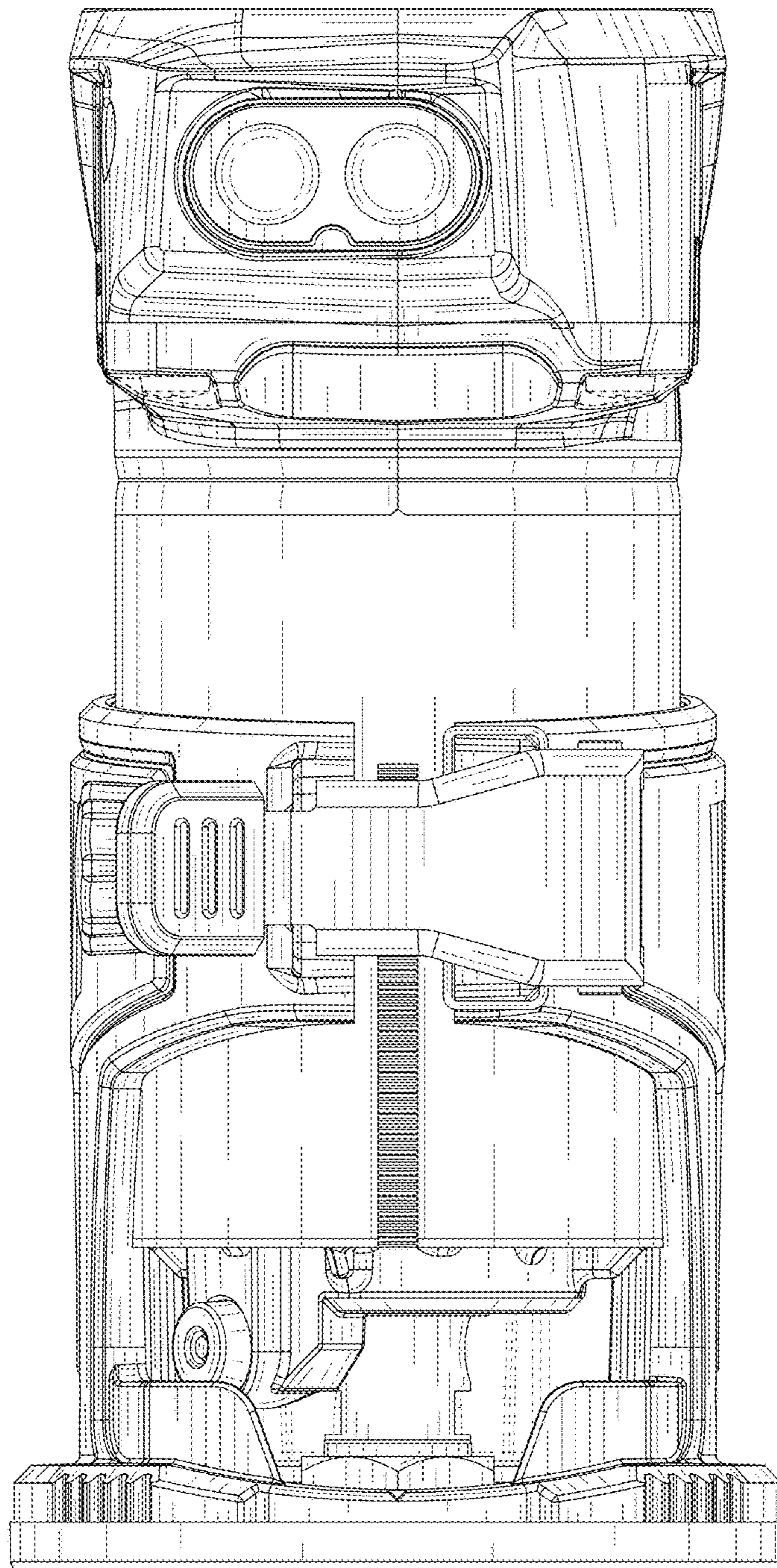


FIG. 8

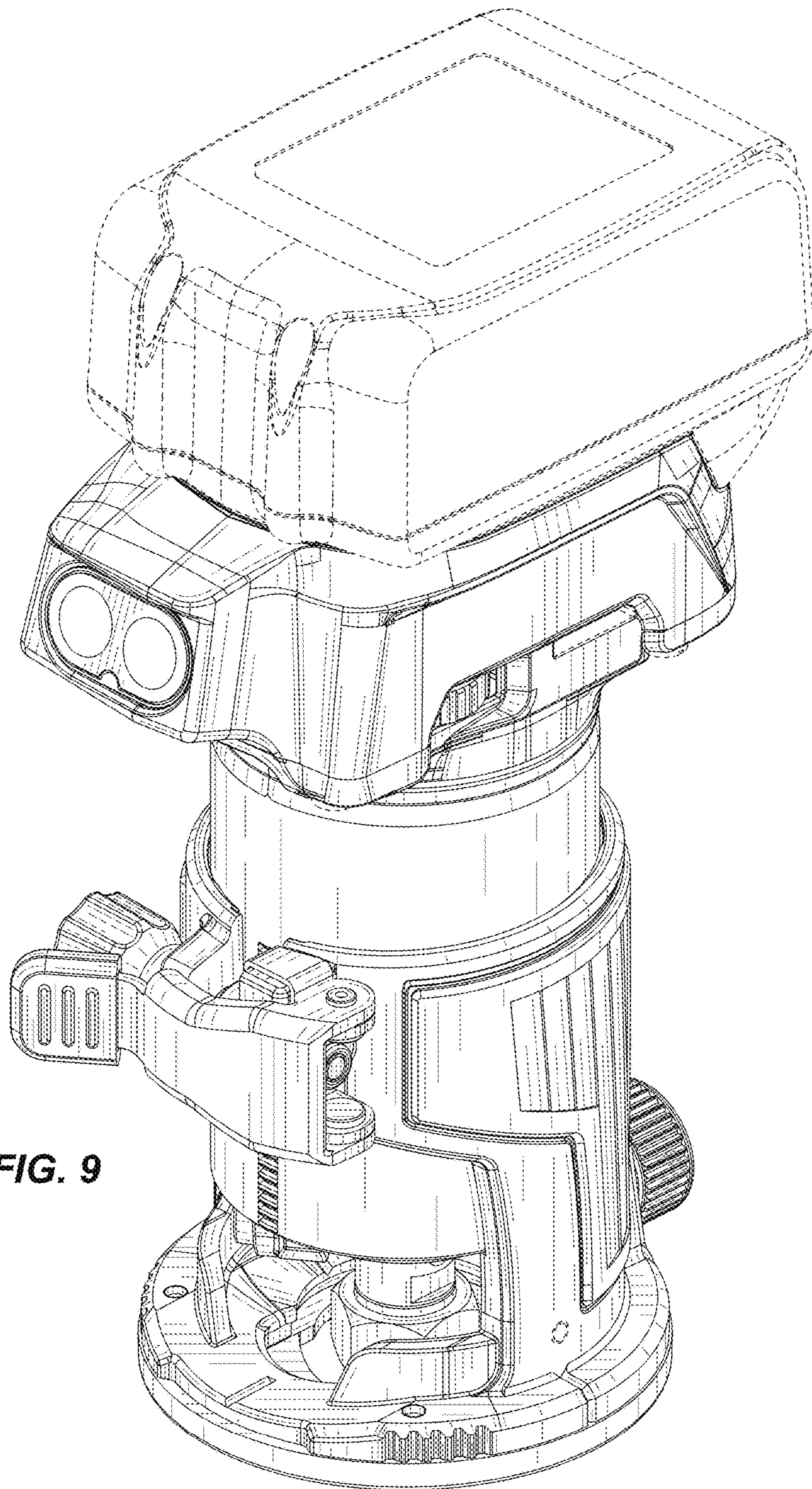


FIG. 9