



US00D700211S

(12) **United States Design Patent**
Alexander et al.

(10) **Patent No.:** **US D700,211 S**

(45) **Date of Patent:** **** Feb. 25, 2014**

(54) **PUMP**

(75) Inventors: **Gus Alexander**, Inverness, IL (US);
James E. Welch, Jr., Bentonville, AR
(US); **Wang Xu Dong**, Shenyang (CN)

(73) Assignee: **FNA IP Holdings, Inc.**, Elk Grove
Village, IL (US)

(**) Term: **14 Years**

(21) Appl. No.: **29/429,403**

(22) Filed: **Aug. 10, 2012**

(51) **LOC (10) Cl.** **15-02**

(52) **U.S. Cl.**
USPC **D15/7**

(58) **Field of Classification Search**
USPC D15/7-9; D23/231, 232, 225; 417/60,
417/235, 265, 321, 355, 358, 363, 359,
417/410.1, 415-416, 405, 900; 60/408,
60/412; 184/26-37; 415/140-147;
123/495, 509

See application file for complete search history.

(56) **References Cited**

U.S. PATENT DOCUMENTS

5,494,414 A	2/1996	Steinhart et al.	
D538,824 S *	3/2007	Tojo	D15/7
D538,826 S *	3/2007	Kienzle	D15/9
D553,157 S	10/2007	Busschaert	
D589,983 S *	4/2009	Sinico	D15/7
D591,311 S *	4/2009	Tojo	D15/7
D616,467 S *	5/2010	Reverberi et al.	D15/5
D617,814 S	6/2010	Dreifert	

D633,101 S *	2/2011	Magri	D15/7
D633,102 S *	2/2011	Magri	D15/7
D633,103 S *	2/2011	Magri	D15/7
D633,104 S *	2/2011	Magri	D15/7
D633,105 S *	2/2011	Magri	D15/7
D633,406 S *	3/2011	Magri	D15/7
D642,594 S	8/2011	Mattson et al.	
D644,252 S	8/2011	Kojima	
D648,353 S	11/2011	Mattson et al.	
D652,844 S	1/2012	Hanitsch et al.	
D654,095 S	2/2012	Mattson et al.	
D656,962 S	4/2012	Boldsen	
D670,312 S *	11/2012	Alexander et al.	D15/7

* cited by examiner

Primary Examiner — Ralf Seifert

(74) *Attorney, Agent, or Firm* — Steven E. Jedlinski;
Holland & Knight LLP

(57) **CLAIM**

The ornamental design for a pump, as shown and described.

DESCRIPTION

FIG. 1 is a perspective view of a pump as viewed from the front left side;

FIG. 2 is a perspective view of a pump as viewed from the rear right side;

FIG. 3 is a front elevation view thereof;

FIG. 4 is a rear elevation view thereof;

FIG. 5 is a right side elevation view thereof;

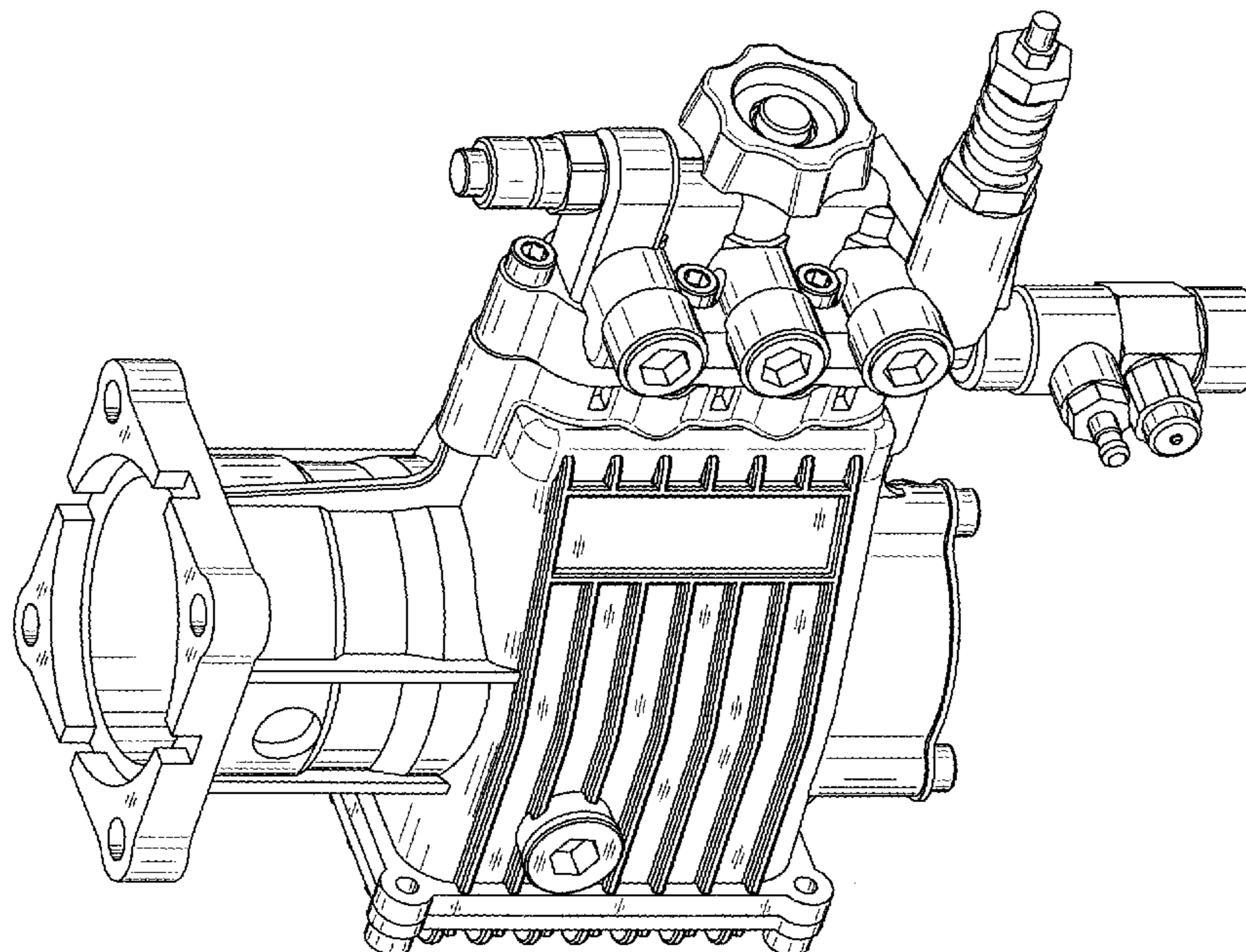
FIG. 6 is a left side elevation view thereof;

FIG. 7 is a top plan view thereof; and,

FIG. 8 is a bottom plan view thereof.

The broken lines are included for the purpose of illustrating portions of the pump that form no part of the claimed design.

1 Claim, 7 Drawing Sheets



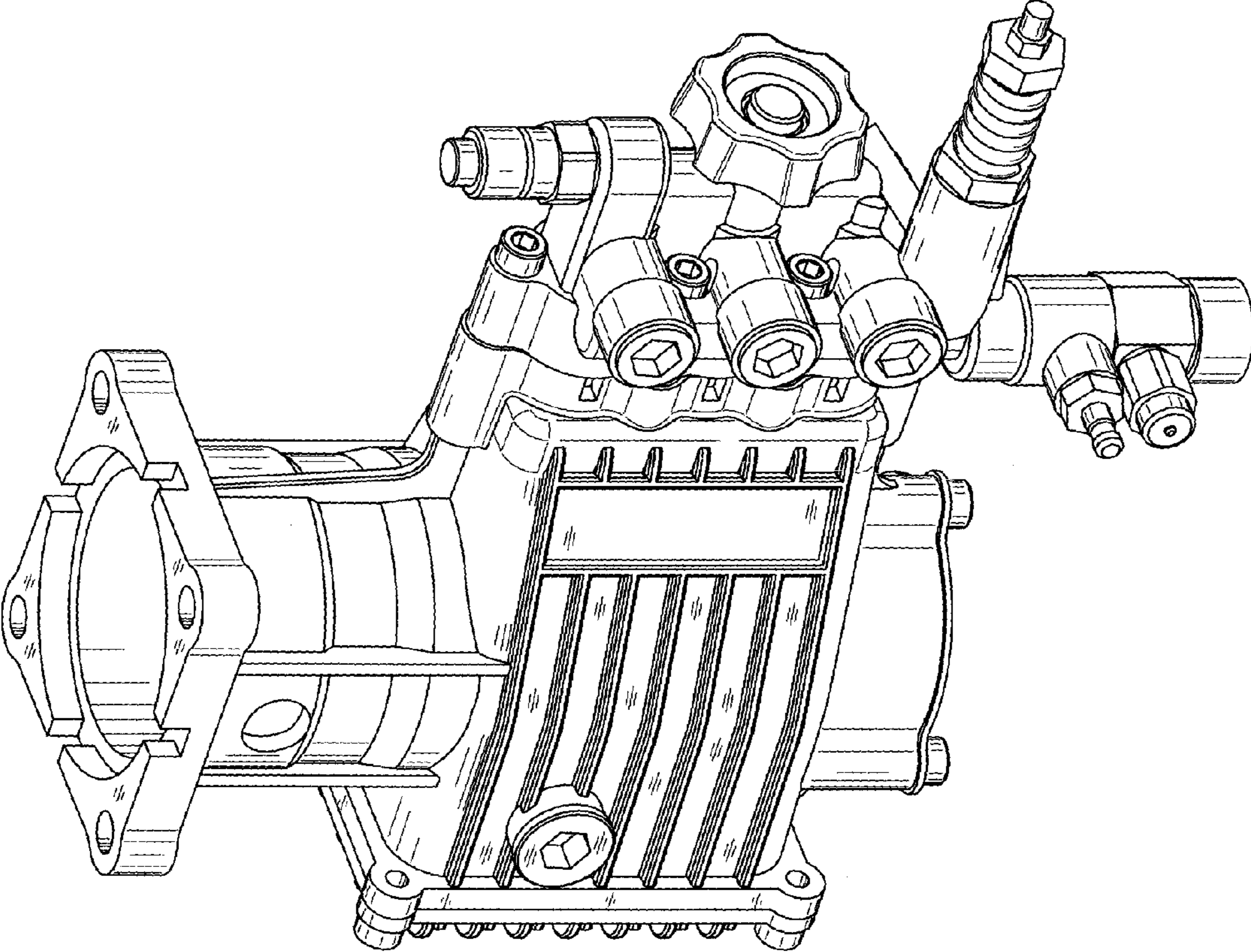


FIG. 1

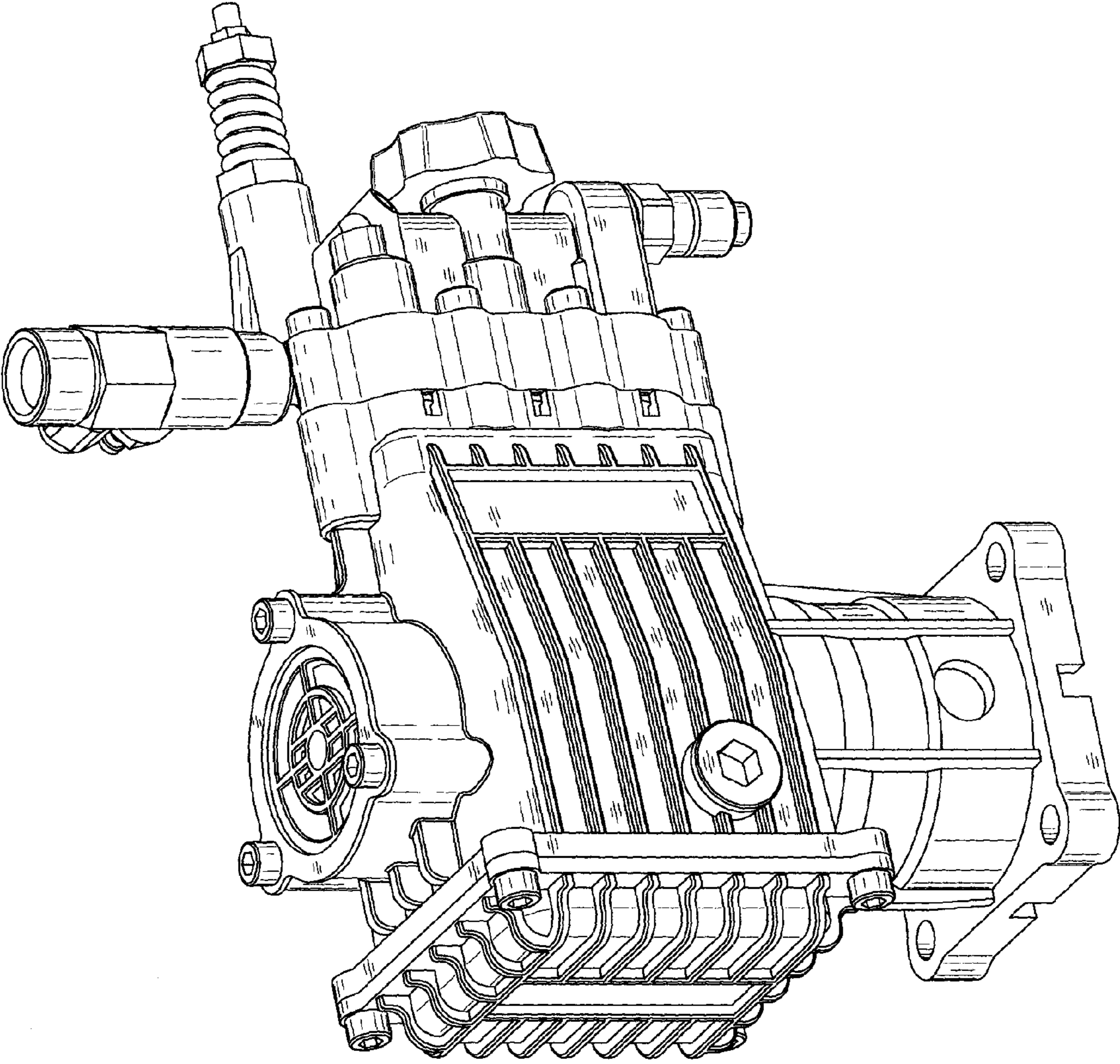


FIG. 2

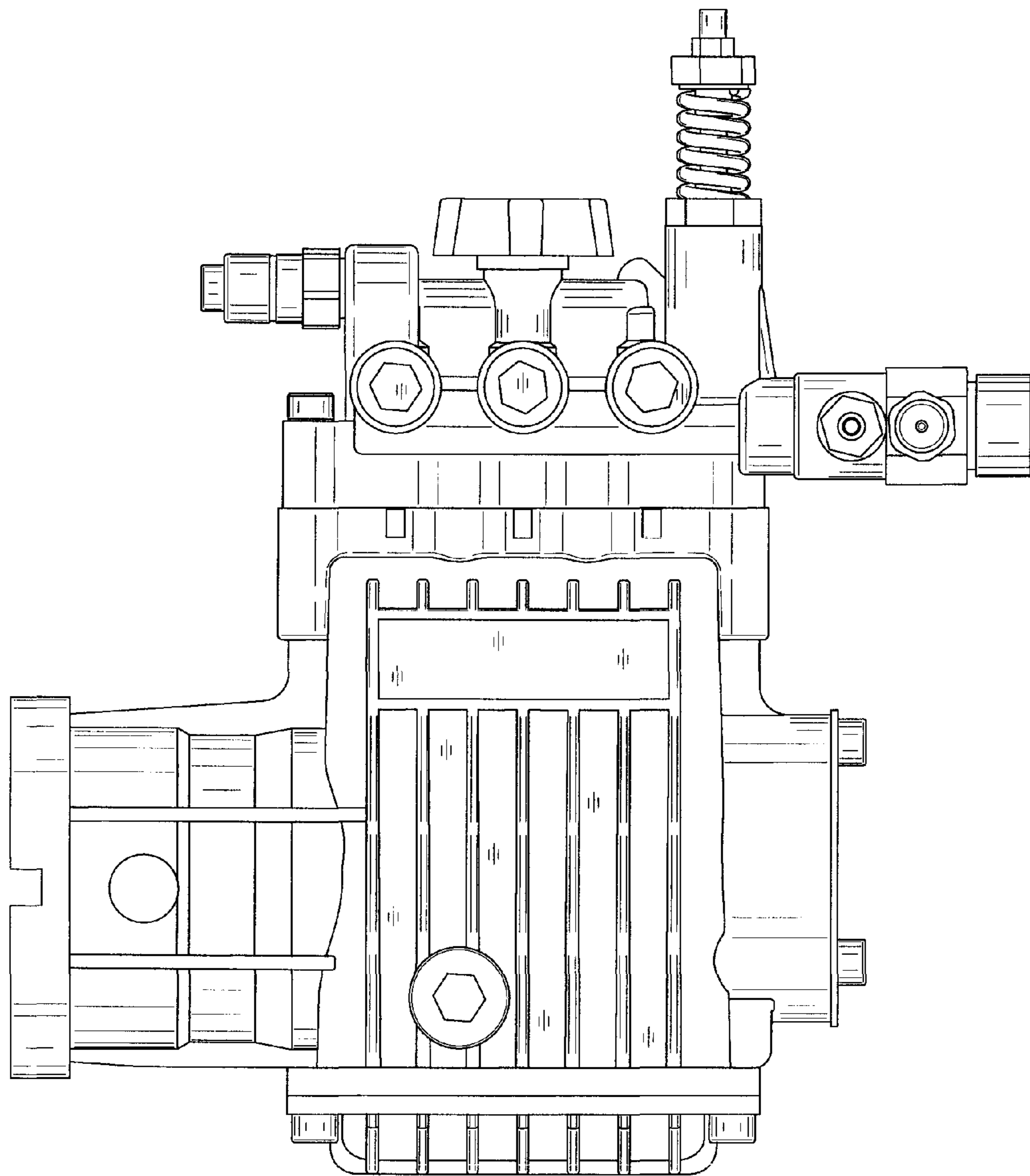


FIG. 3

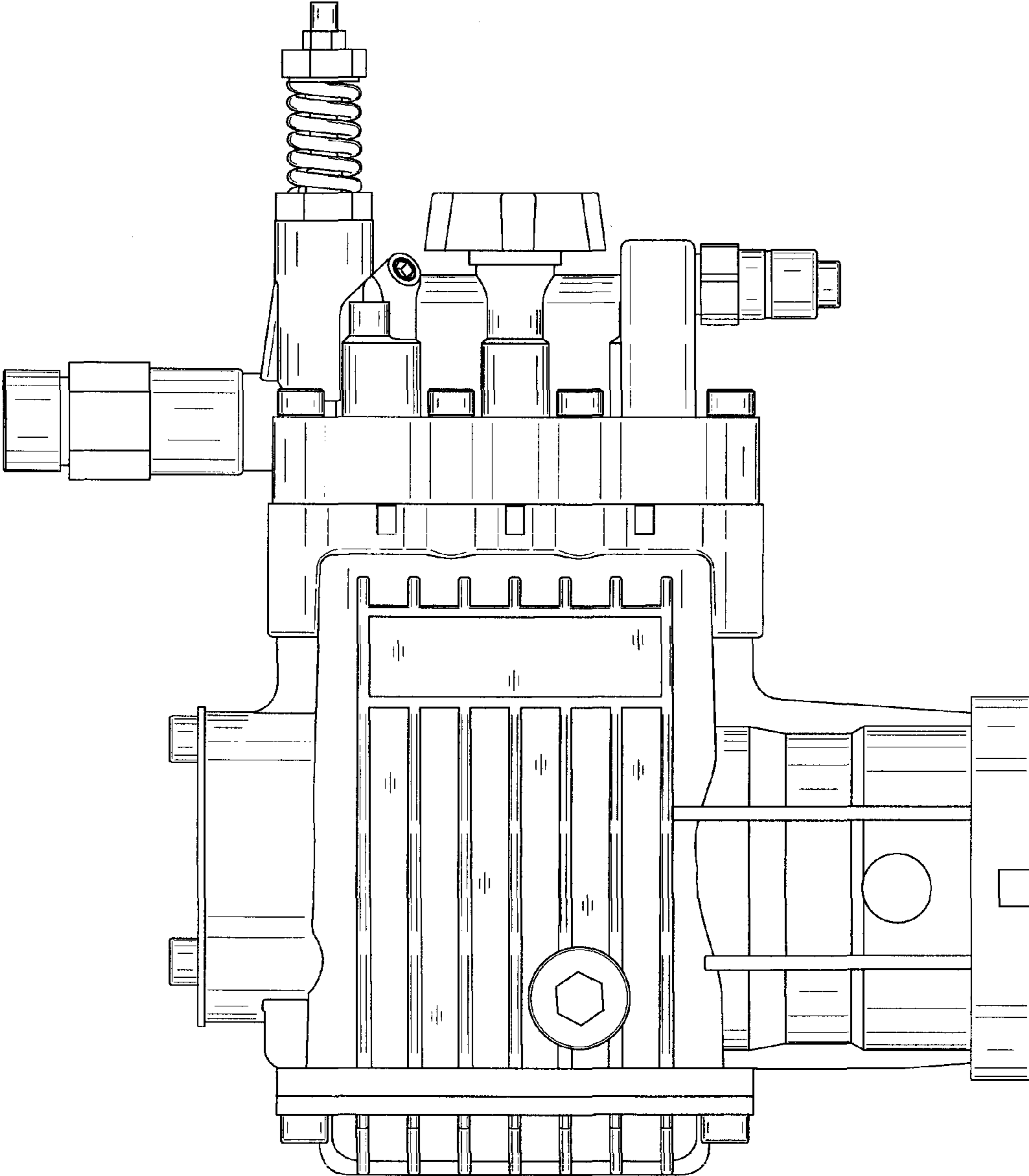


FIG. 4

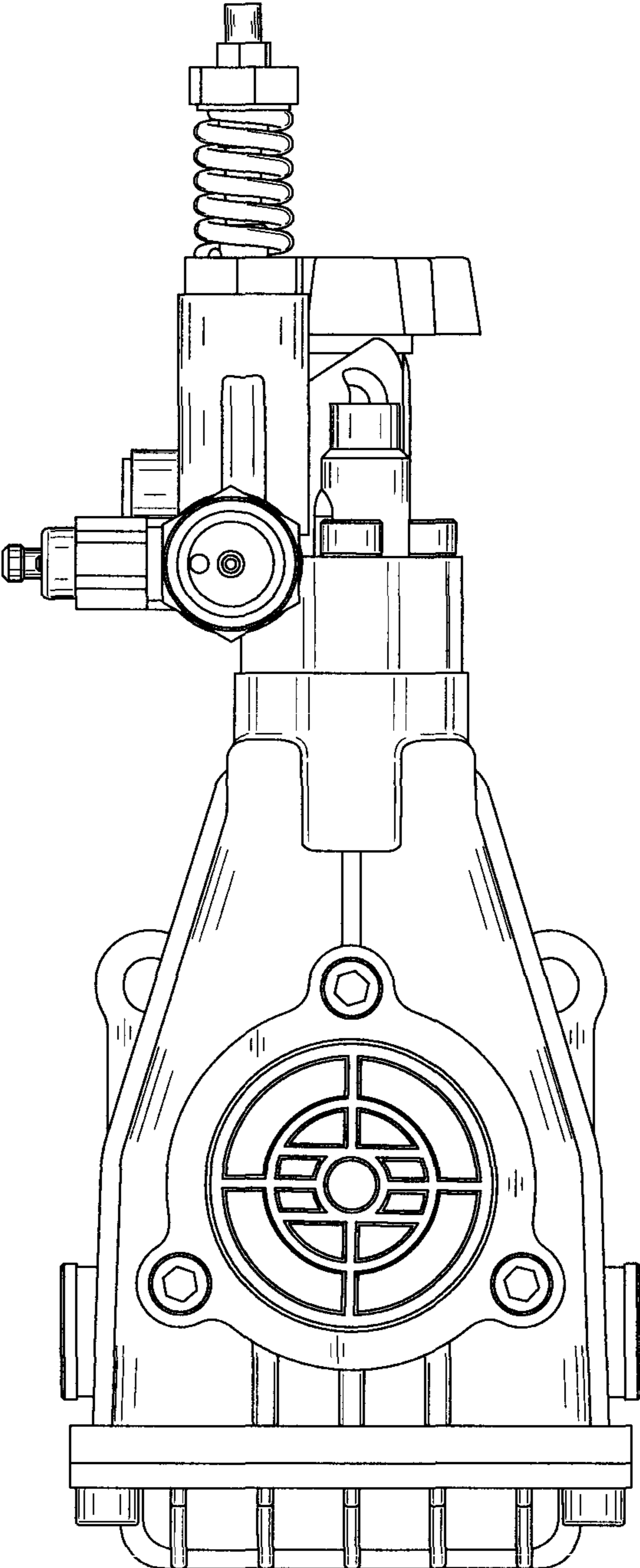


FIG. 5

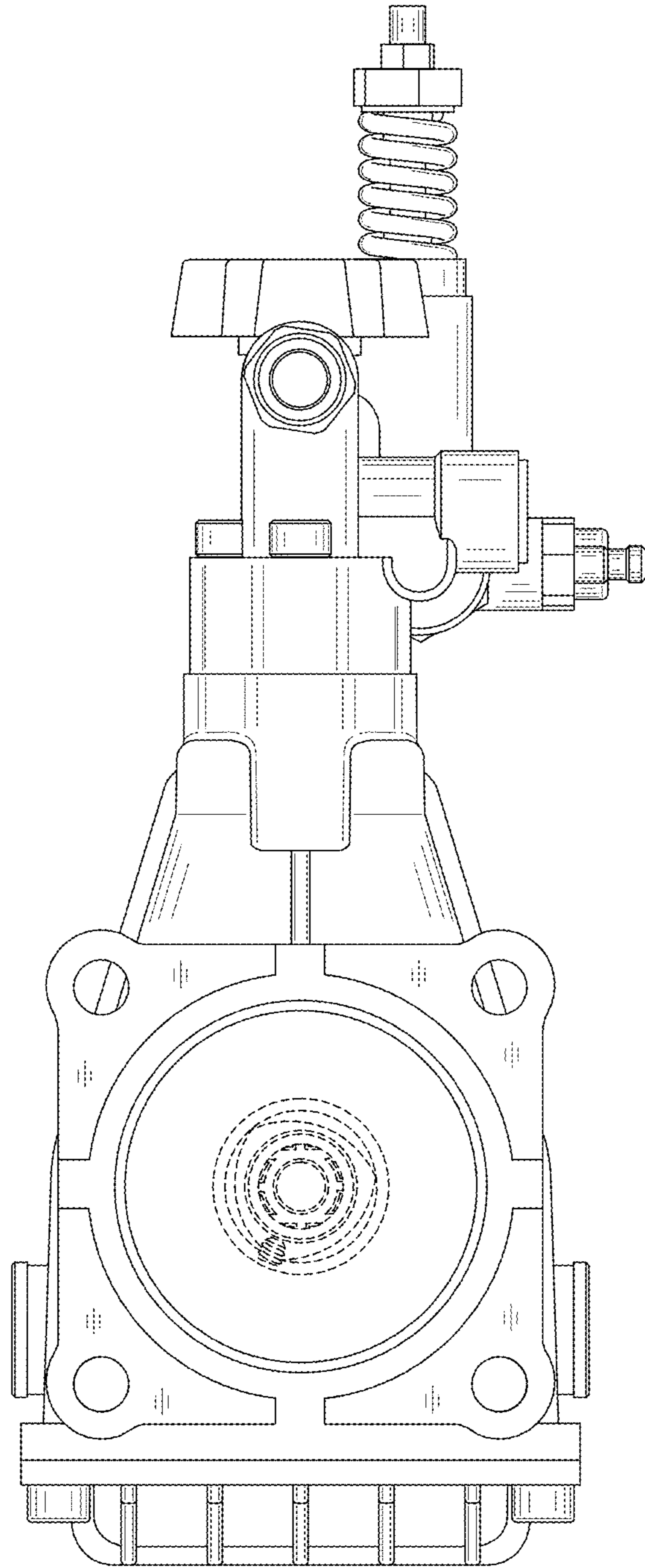


FIG. 6

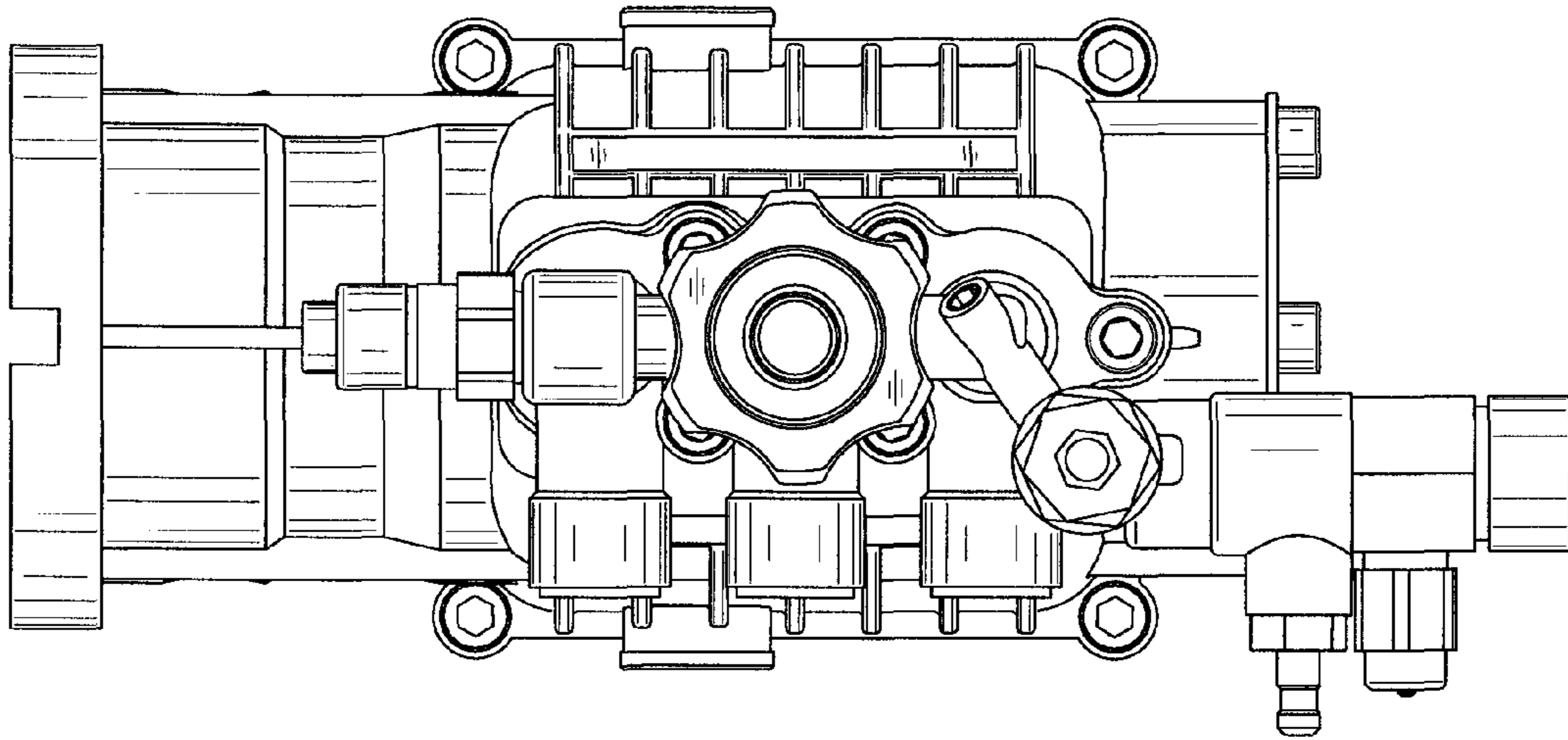


FIG. 7

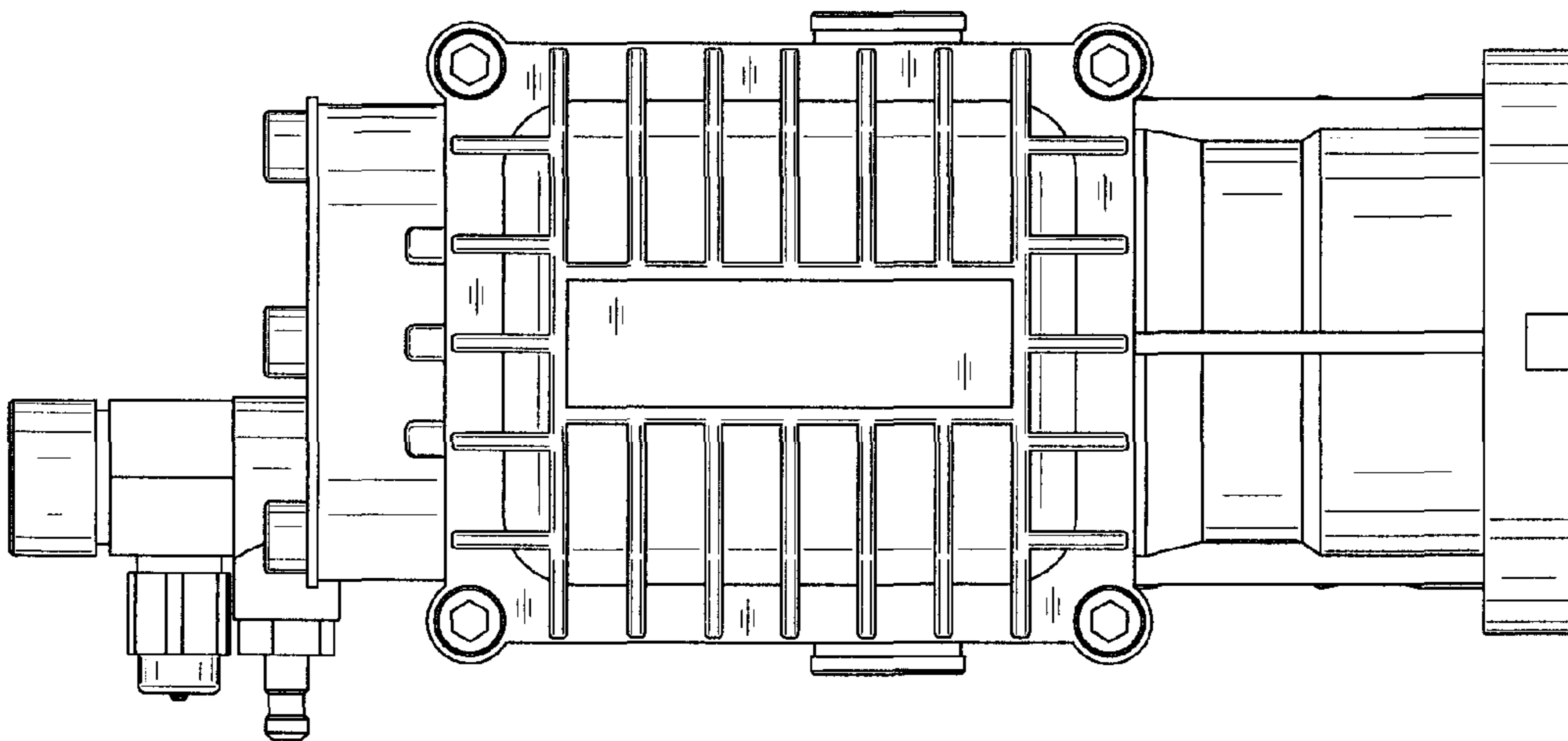


FIG. 8