



US00D865104S

(12) **United States Design Patent**
Kindig et al.

(10) **Patent No.:** **US D865,104 S**
(45) **Date of Patent:** **** Oct. 29, 2019**

- (54) **CROSSBOW BUTTSTOCK**
- (71) Applicant: **Hunter's Manufacturing Company, Inc.**, Suffield, OH (US)
- (72) Inventors: **Michael A. Kindig**, Aurora, OH (US);
Michael J. Shaffer, Mogadore, OH (US)
- (73) Assignee: **Hunter's Manufacturing Co., Inc.**, Suffield, OH (US)
- (**) Term: **15 Years**
- (21) Appl. No.: **29/601,760**
- (22) Filed: **Apr. 26, 2017**
- (51) **LOC (12) Cl.** **D22-01**
- (52) **U.S. Cl.**
USPC **D22/108; D22/107**
- (58) **Field of Classification Search**
USPC D22/101, 107-111; D21/572-575
CPC F41C 23/00; F41C 23/10; F41C 23/14;
F41C 23/16; F41C 23/18; F41C 27/00;
F41C 27/06; F41A 5/18; F41A 5/24;
F41A 21/28
See application file for complete search history.

(56) **References Cited**

U.S. PATENT DOCUMENTS

D589,578 S	3/2009	Choma	
D600,308 S	9/2009	Fitzpatrick et al.	
7,748,370 B1	7/2010	Choma	
7,779,824 B2	8/2010	Bednar	
D668,311 S *	10/2012	Rogers	F41C 23/04 D22/108
D692,087 S *	10/2013	Fitzpatrick	D22/108
D697,162 S *	1/2014	Faifer	D22/108
D701,281 S *	3/2014	Cottle	D22/108
8,689,774 B1	4/2014	Ritz	
D704,292 S	5/2014	Jarboe	
D704,294 S *	5/2014	Jarboe	D22/108
D716,398 S *	10/2014	Barnett	D22/107
D716,399 S	10/2014	Barnett	

D738,981 S *	9/2015	Zusman	D22/108
D748,216 S *	1/2016	Zusman	D22/108
D757,883 S *	5/2016	Chow	D22/108
9,410,765 B2	8/2016	Bednar et al.	
D769,394 S *	10/2016	Young	D22/103
D775,298 S	12/2016	Barnett	
D775,299 S *	12/2016	Barnett	D22/107

(Continued)

OTHER PUBLICATIONS

Chastain, Russ, Mission by Mathews MXB Dagger Crossbow Review, posted at AllOutdoor, posting date Aug. 6, 2014. [Site visited Sep. 20, 2018] URL: <<https://www.alloutdoor.com/2014/08/06/mission-mathews-mxb-dagger-crossbow-review/>> (Year: 2014).*

TenPoint Crossbows, How to Maintain a Crossbow, posted at YouTube, posting date Jan. 11, 2017. [Site visited Sep. 20, 2018] URL: <<https://www.youtube.com/watch?v=iL8b8bZ6qoA>> (Year: 2017).*

(Continued)

Primary Examiner — Kevin K Rudzinski
Assistant Examiner — Kathleen L Jones
(74) *Attorney, Agent, or Firm* — Emerson Thomson Bennett, LLC

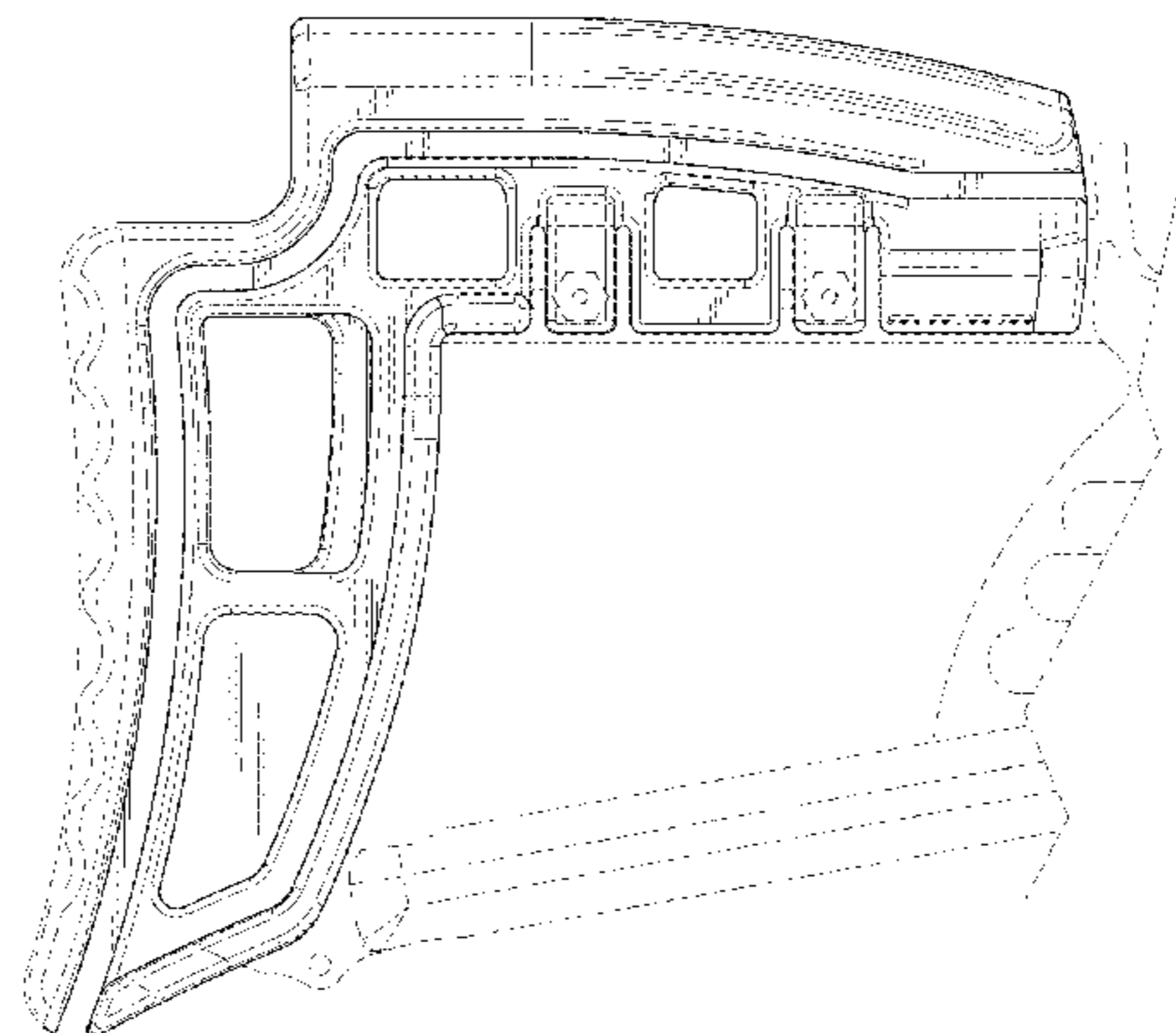
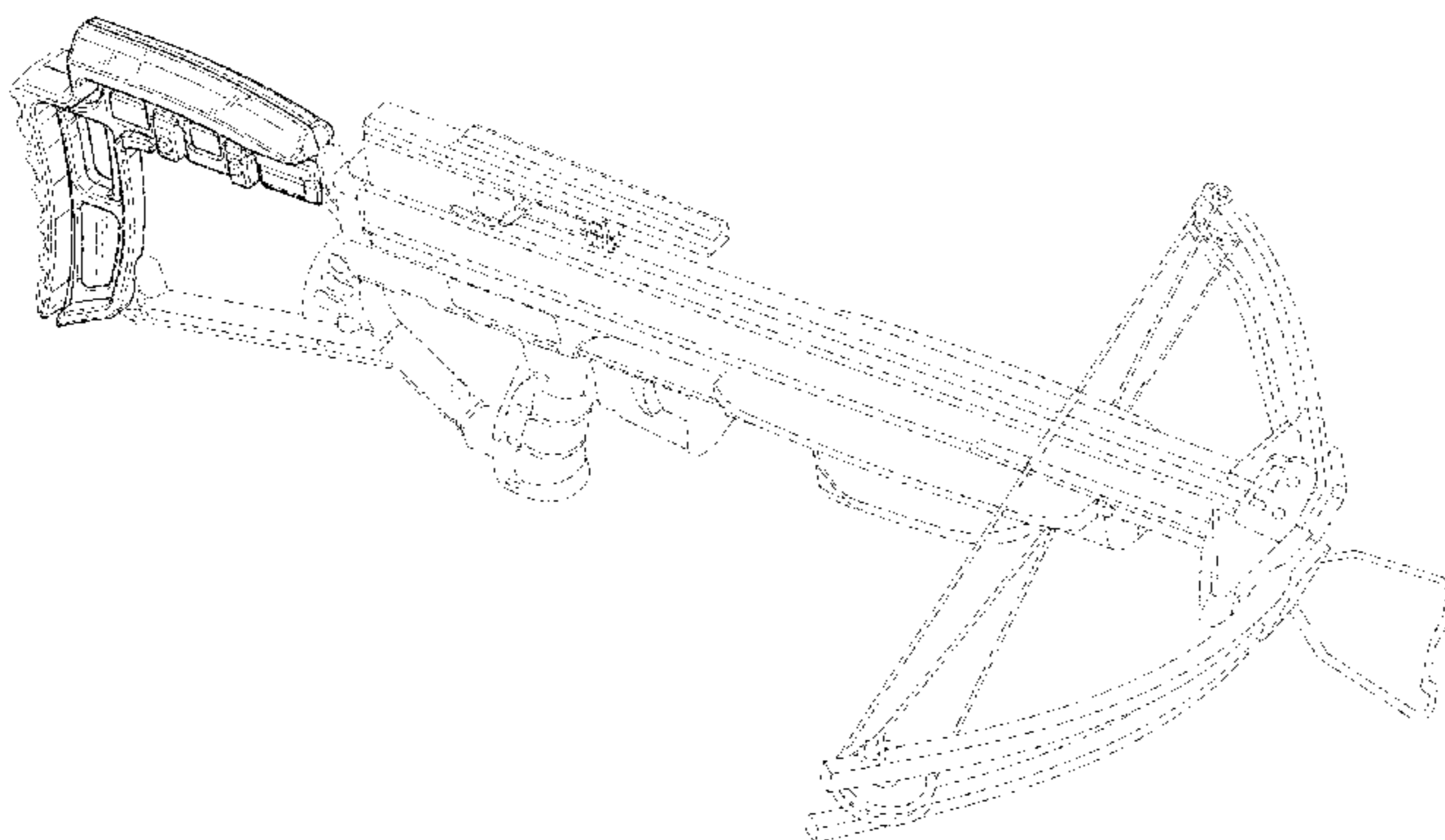
(57) **CLAIM**

The ornamental design for a crossbow buttstock, as shown and described.

DESCRIPTION

FIG. 1 is a side perspective view of a crossbow buttstock. FIG. 2 is a back perspective view of the crossbow buttstock shown in FIG. 1. FIG. 3 is a left side view of the crossbow buttstock shown in FIG. 1; and, FIG. 4 is a right side view of the crossbow buttstock shown in FIG. 1. The broken lines depict portions of the crossbow buttstock and environmental structure and form no part of the claimed design.

1 Claim, 4 Drawing Sheets



(56)

References Cited

U.S. PATENT DOCUMENTS

D775,301	S	12/2016	Barnett	
D808,486	S *	1/2018	Kafka	D22/103
D809,621	S *	2/2018	Lam	D22/108
D819,765	S *	6/2018	Kafka	D22/103
D828,476	S *	9/2018	Smith	D22/108
10,077,965	B2 *	9/2018	Yehle	F41B 5/1469
2006/0169259	A1 *	8/2006	Chang	F41B 5/123 124/25
2014/0216429	A1	8/2014	Biafore, Jr. et al.	
2015/0219420	A1 *	8/2015	Bednar	F41B 5/1469 124/25
2019/0056192	A1 *	2/2019	Frazier	F41C 23/14
2019/0128639	A1 *	5/2019	Parker	F41C 23/14

OTHER PUBLICATIONS

TenPoint Crossbows, TenPoint Vapor Crossbow, posted at YouTube, posting date Jun. 29, 2013. [Site visited Sep. 20, 2018] URL: <<https://www.youtube.com/watch?v=F2Bo2R-GxP8>> (Year: 2013).*

Carbon Phantom RCX, posted at TenPoint Crossbows, review posted 2016. [Site visited Sep. 19, 2018] URL: <<https://www.tenpointcrossbows.com/shop/carbon-phantom-rcx-crossbow-package/>> (Year: 2016).*

TenPoint Carbon Phantom RCX ACUdraw Crossbow Package, posted at Cabelas, review posted Mar. 7, 2017. [Site visited Sep. 19, 2018] URL: <<https://www.cabelas.com/product/TENPOINT-CARBON-PHANTOM-RCX-ACUDRAW/2473394.uts>> (Year: 2017).*

* cited by examiner

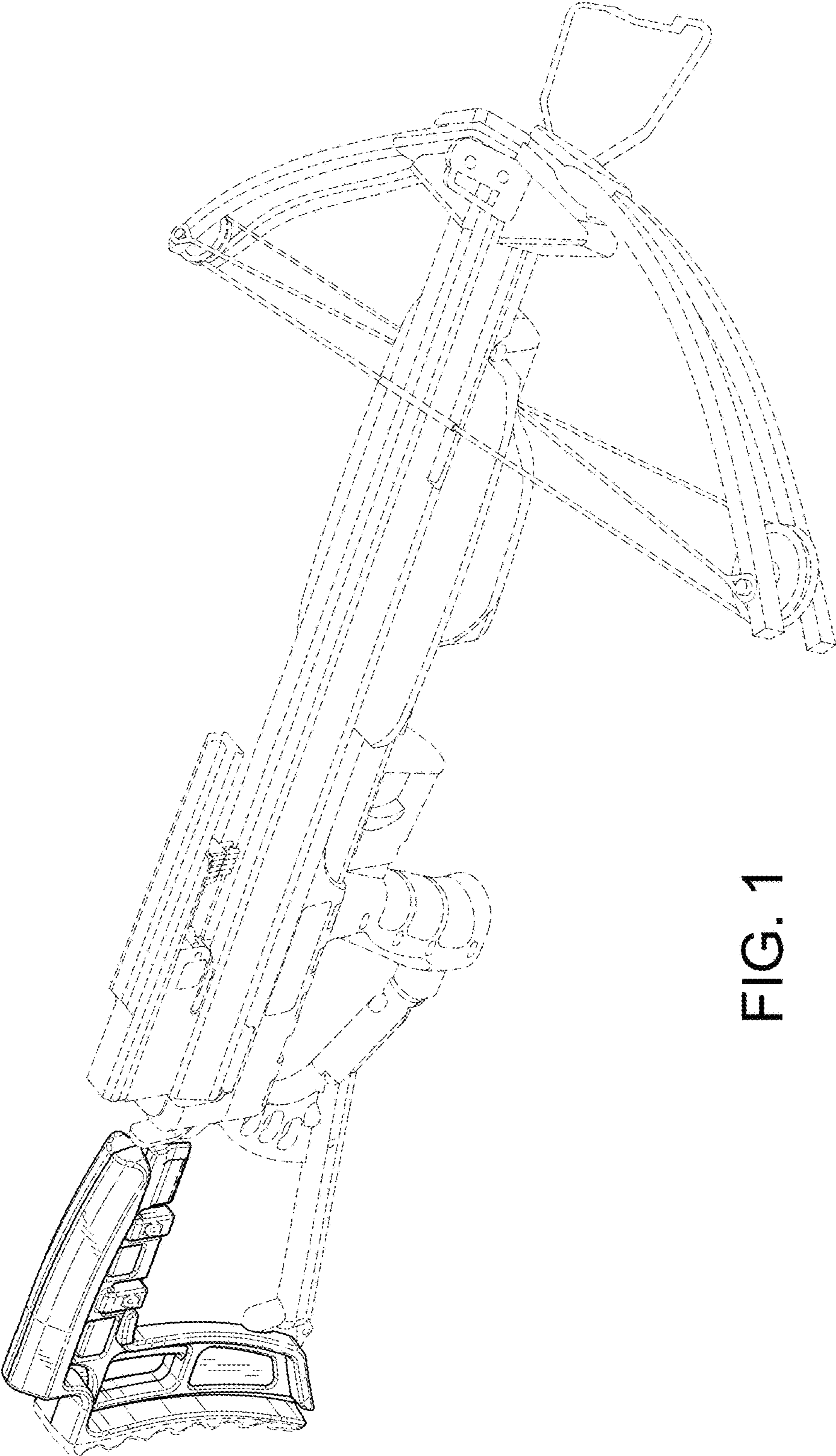


FIG. 1

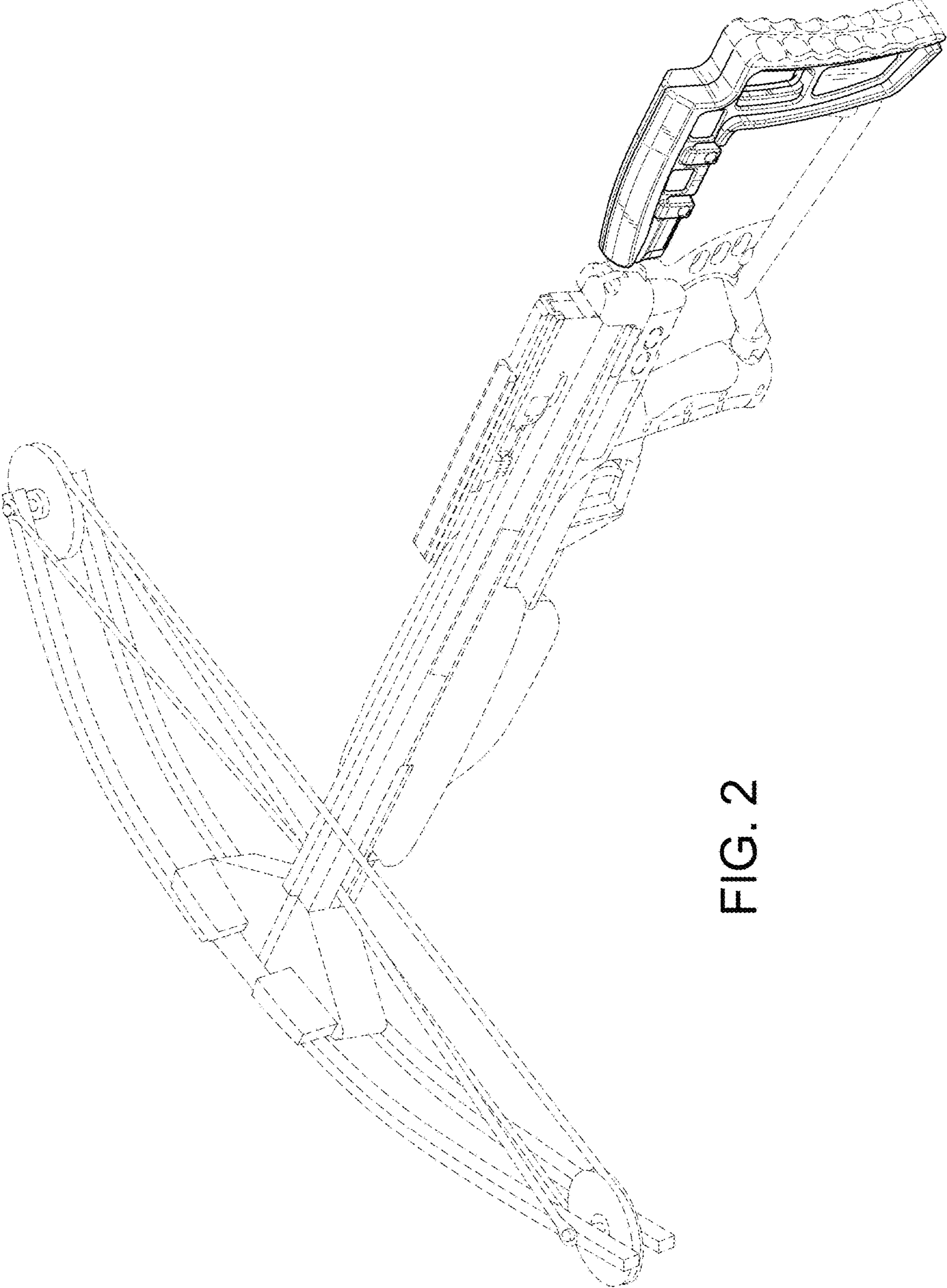


FIG. 2

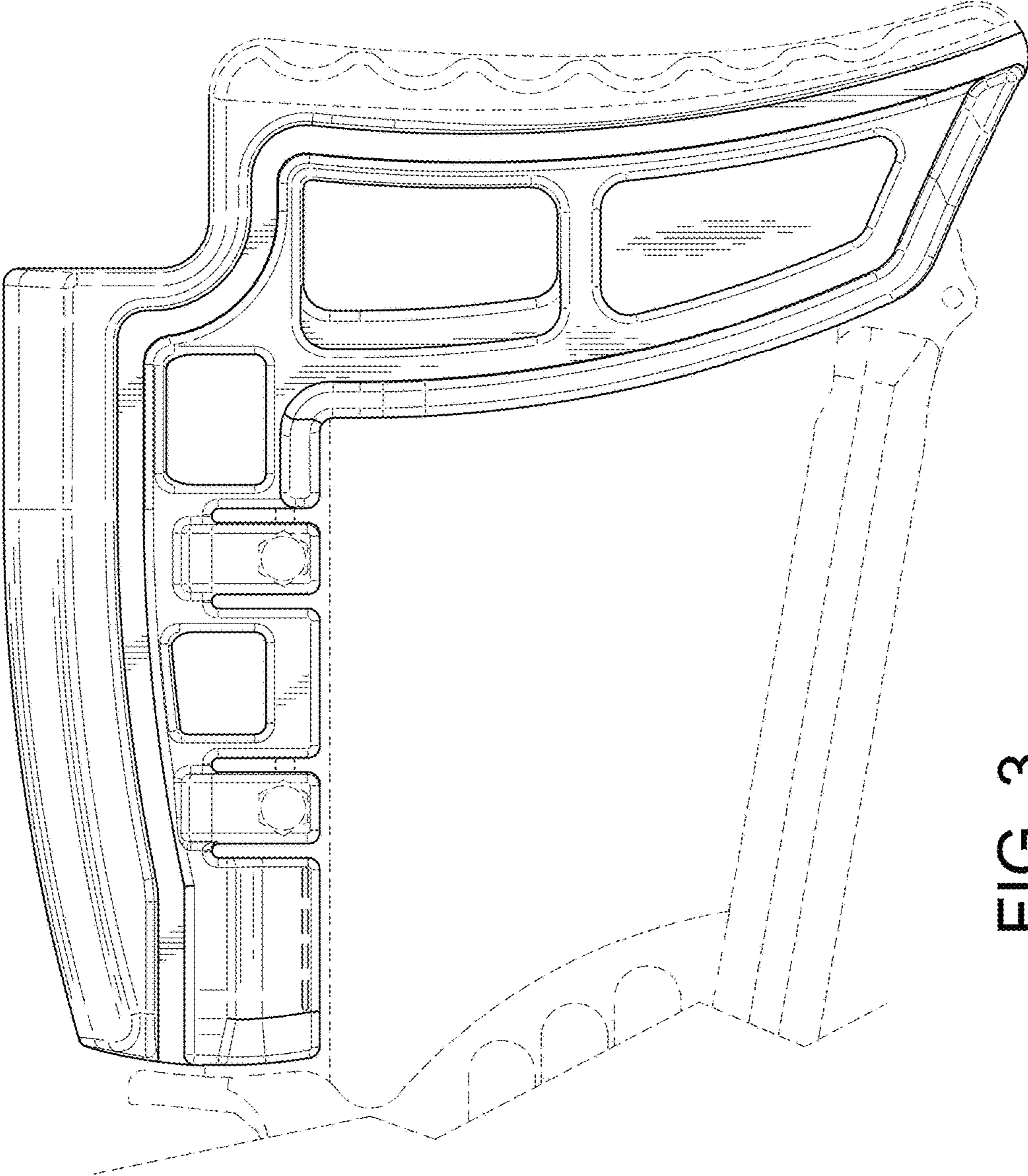


FIG. 3

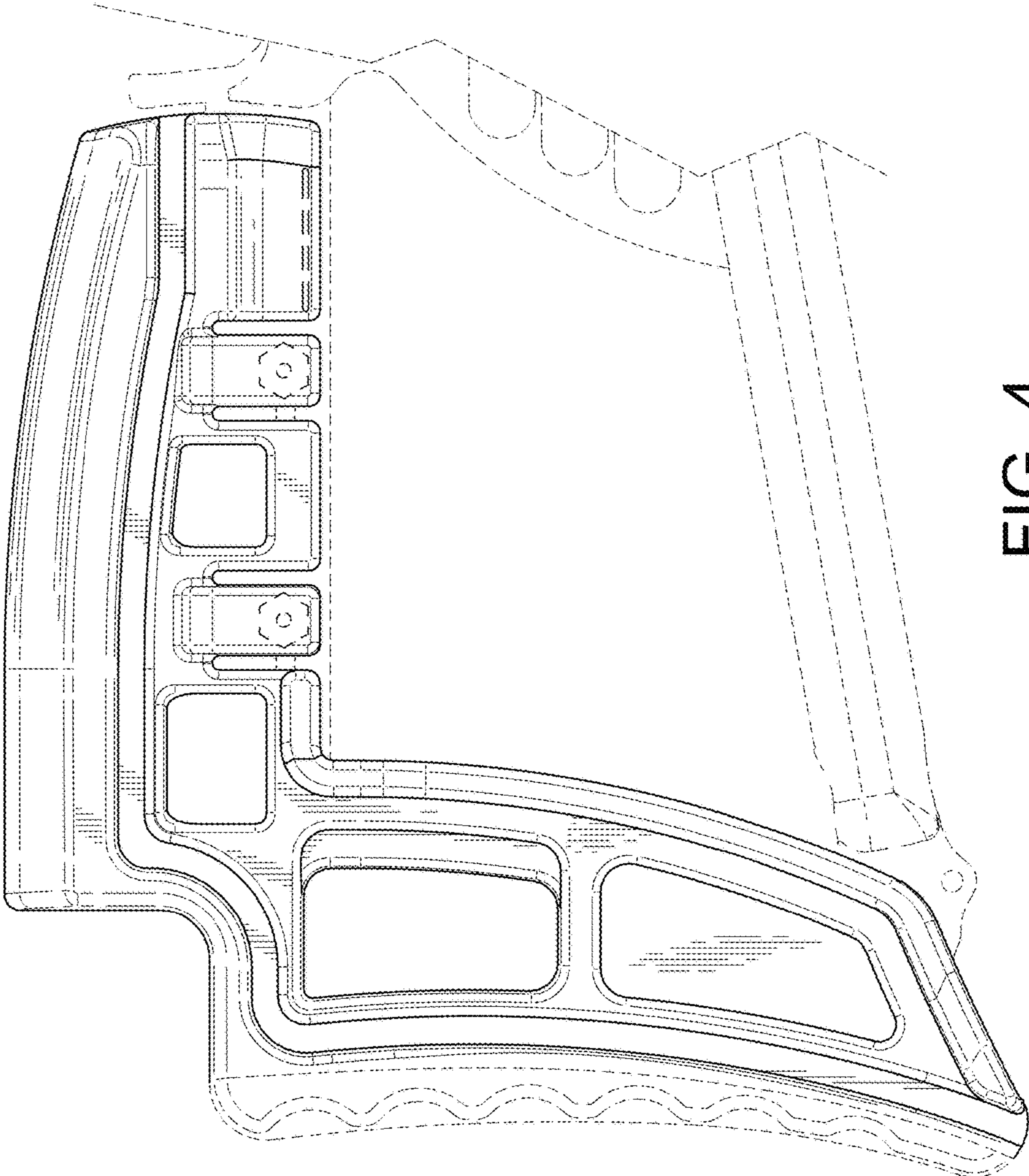


FIG. 4