



US00D863085S

(12) **United States Design Patent** (10) **Patent No.:** **US D863,085 S**
Rotach (45) **Date of Patent:** **** Oct. 15, 2019**

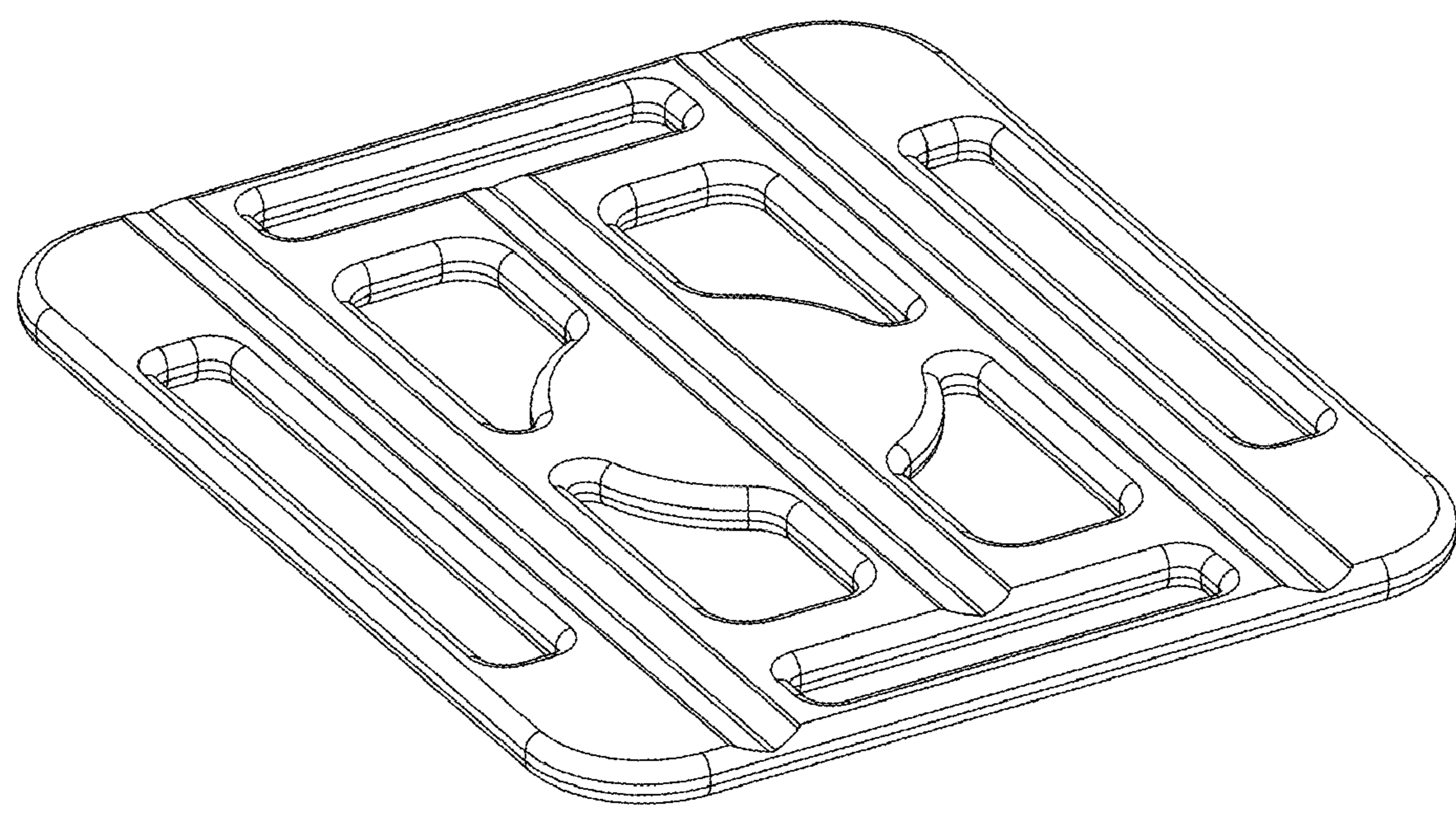
(54) **PAN FOR A WEIGHING DEVICE**
 (71) Applicant: **Mettler-Toledo GmbH**, Greifensee (CH)
 (72) Inventor: **Hansjörg Rotach**, Volketswil (CH)
 (73) Assignee: **Mettler-Toledo GmbH**, Greifensee (CH)
 (**) Term: **15 Years**
 (21) Appl. No.: **29/655,351**
 (22) Filed: **Jul. 2, 2018**

(30) **Foreign Application Priority Data**
 Feb. 9, 2018 (EM) 004703080
 (51) **LOC (12) Cl.** **10-04**
 (52) **U.S. Cl.**
 USPC **D10/94**
 (58) **Field of Classification Search**
 USPC D10/94
 CPC G01G 21/14; G01G 21/16; G01G 21/161;
 G01G 21/162; G01G 21/163; G01G
 21/165; G01G 21/166; G01G 21/167;
 G01G 21/168; G01G 21/18; G01G
 21/182; G01G 21/184; G01G 21/186;
 G01G 21/188; G01G 21/20; G01G 21/22;
 G01G 21/23; G01G 21/235; G01G 21/24;
 G01G 21/241; G01G 21/242; G01G
 21/243; G01G 21/244; G01G 21/245;
 G01G 21/246; G01G 21/247; G01G
 21/248; G01G 21/26; G01G 21/28; G01G
 21/283; G01G 21/286; G01G 21/30
 See application file for complete search history.

(56) **References Cited**
 U.S. PATENT DOCUMENTS
 4,986,376 A * 1/1991 Cone G01G 21/23
 177/128
 D445,048 S * 7/2001 Rodgers D10/94
 8,853,568 B2 * 10/2014 Shinozaki G01G 21/28
 177/210 FP
 * cited by examiner
 Primary Examiner — Antoine Duval Davis
 (74) Attorney, Agent, or Firm — Standley Law Group
 LLP; Jeffrey S. Standley; Stephen L. Grant

(57) **CLAIM**
 The ornamental design for a pan for a weighing device, as shown and described.

DESCRIPTION
 FIG. 1 is a top front perspective view of the pan for a weighing device;
 FIG. 2 is a top plan view thereof;
 FIG. 3 is a bottom plan view thereof;
 FIG. 4 is a front elevation view thereof, the rear elevation view being a mirror image thereof;
 FIG. 5 is a left-side elevation view thereof, the right-side elevation view being a mirror image thereof; and,
 FIG. 6 is a top front perspective view thereof, with the broken lining showing of environmental structure made for the purpose of illustrating the use of the pan for a weighing device and forms no part of the claimed design.
1 Claim, 5 Drawing Sheets



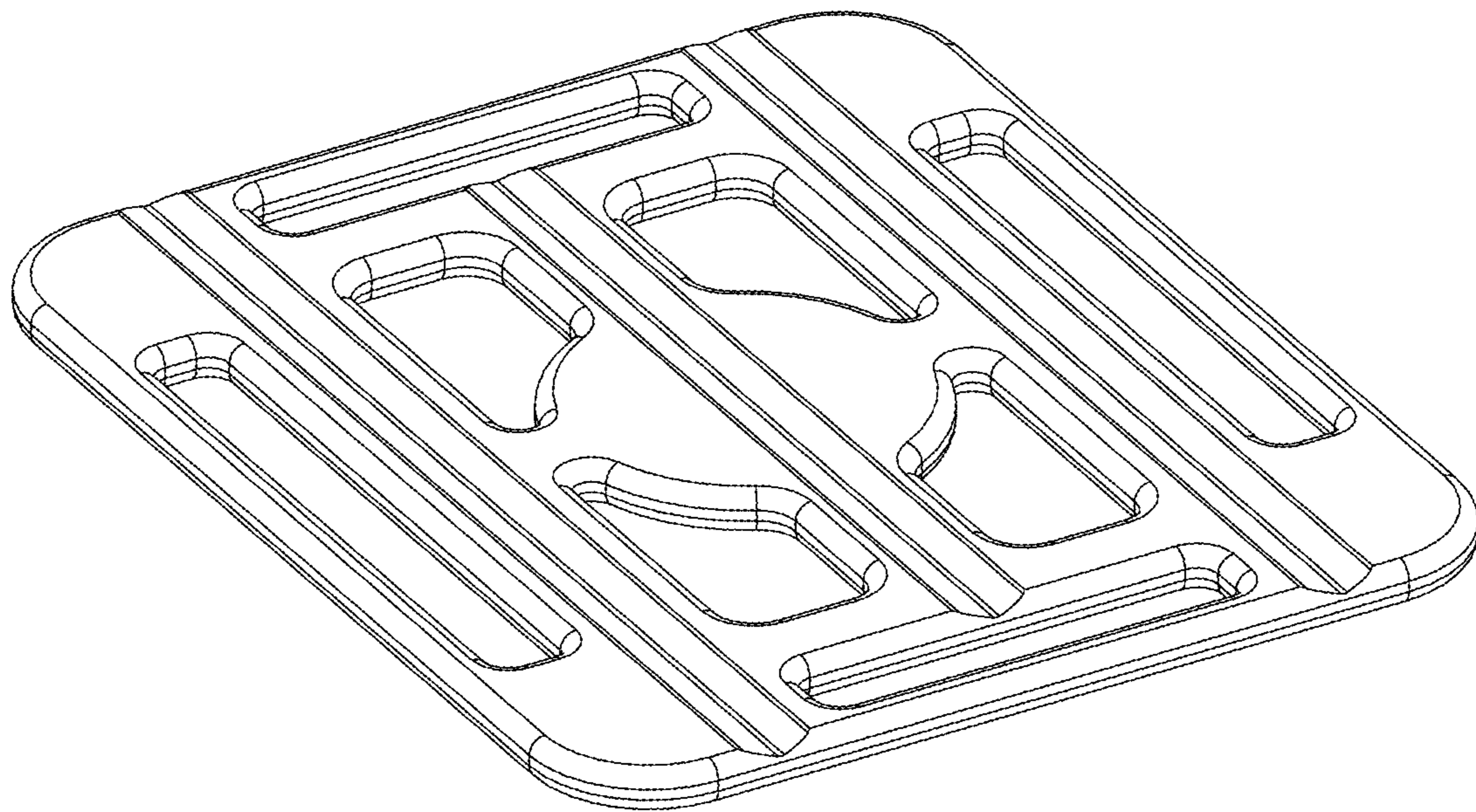


FIG. 1

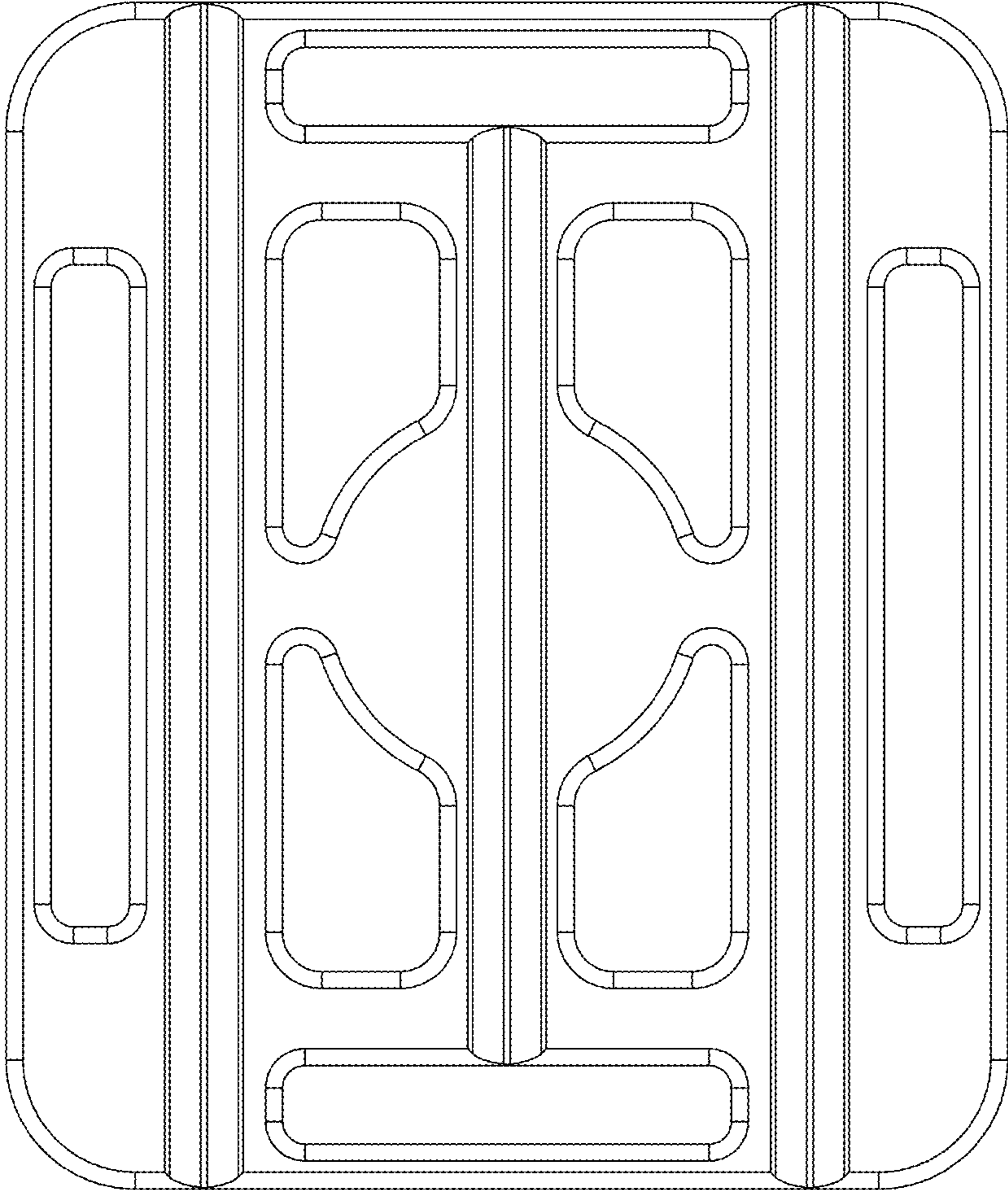


FIG. 2

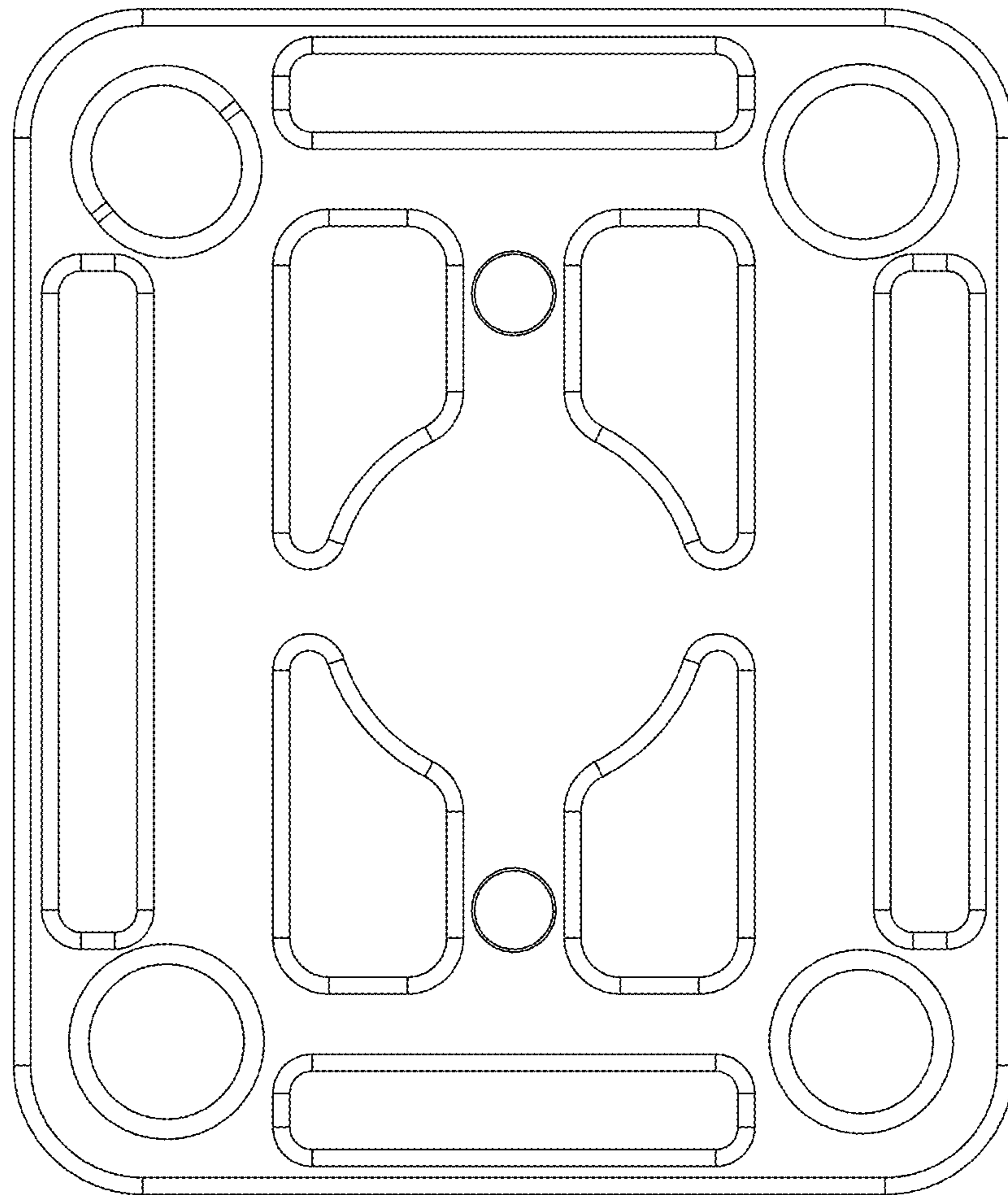


FIG. 3

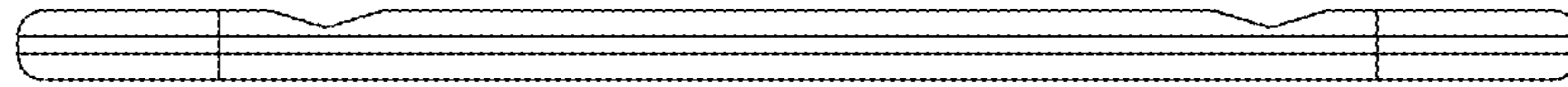


FIG. 4

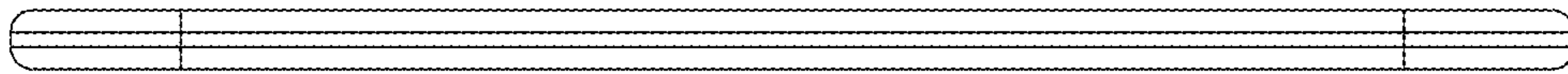


FIG. 5

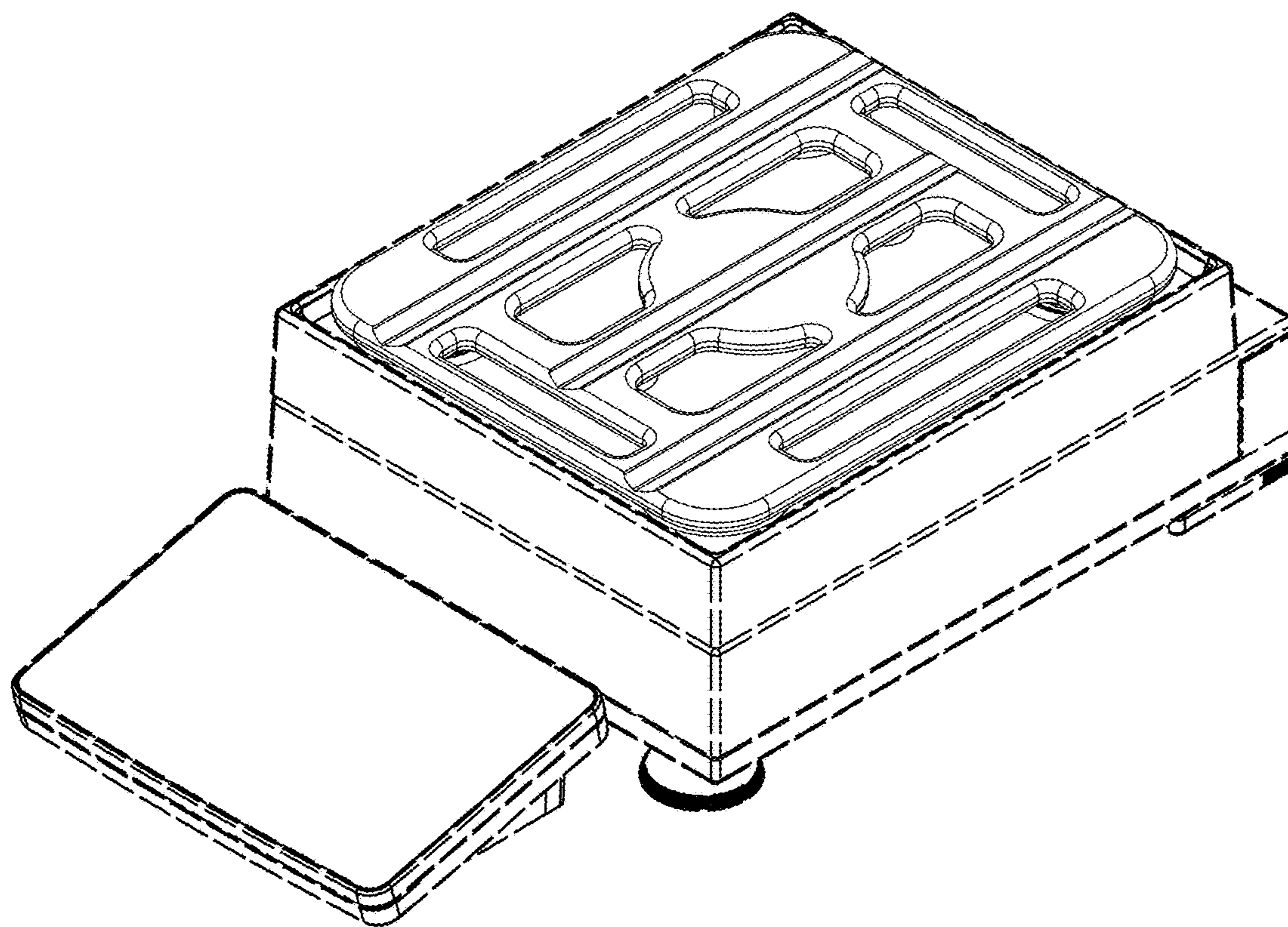


FIG. 6