



US00D672504S

(12) **United States Design Patent**
Lyles

(10) **Patent No.:** **US D672,504 S**

(45) **Date of Patent:** **** Dec. 11, 2012**

(54) **ELECTRIC HEAD SHAVER**

(76) Inventor: **John Lyles**, Mount Ephraim, NJ (US)

(**) Term: **14 Years**

(21) Appl. No.: **29/374,431**

(22) Filed: **Aug. 11, 2011**

(51) **LOC (9) Cl.** **28-03**

(52) **U.S. Cl.** **D28/50**

(58) **Field of Classification Search** D28/44,
D28/44.1, 49-54; 30/34.05, 34.1, 34.2, 43-43.92,
30/526, 527, 44-45, 341, 195-223, 272.1,
30/226-227, 231, 233-233.5

See application file for complete search history.

(56) **References Cited**

U.S. PATENT DOCUMENTS

5,520,616	A	5/1996	Hofmeister	
D426,918	S *	6/2000	Greene	D28/48
6,112,421	A *	9/2000	Greene	30/526
D446,351	S *	8/2001	Greene	D28/46
D528,701	S *	9/2006	Oh	D28/50
D558,924	S *	1/2008	Cafaro et al.	D28/52

D601,301 S 9/2009 Bao
D663,897 S * 7/2012 Aulwes et al. D28/54
2009/0025234 A1 1/2009 Carlucci

* cited by examiner

Primary Examiner — Jennifer Rivard

(74) *Attorney, Agent, or Firm* — Norman E. Lehrer

(57) **CLAIM**

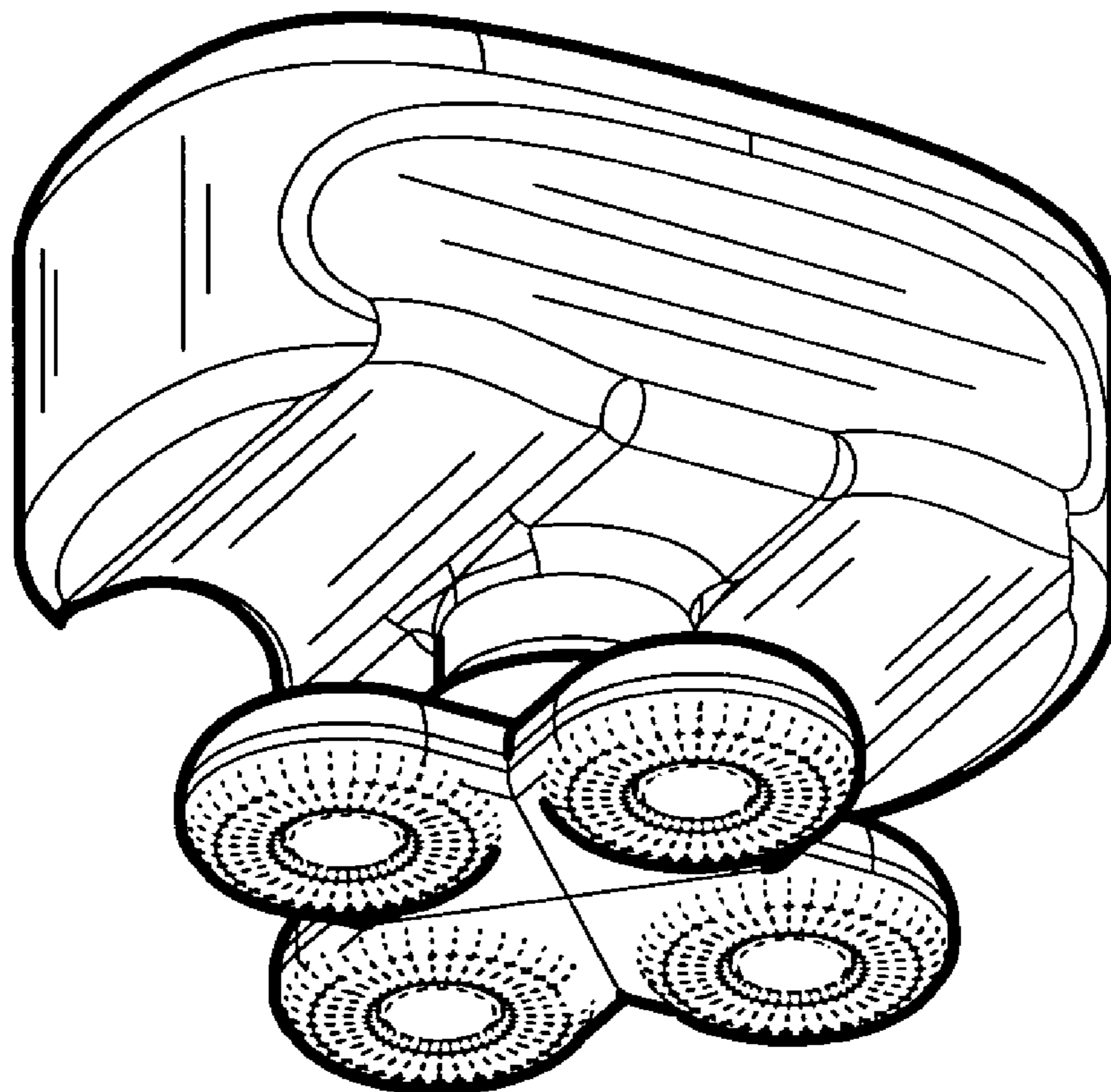
The ornamental design for an “electric head shaver,” as shown and described.

DESCRIPTION

FIG. 1 is a top perspective view of an electric head shaver showing my new design;
FIG. 2 is a bottom perspective view thereof;
FIG. 3 is a front elevational view thereof;
FIG. 4 is a right side elevational view thereof;
FIG. 5 is a rear elevational view thereof;
FIG. 6 is a left side elevational view thereof;
FIG. 7 is a top plan view thereof; and,
FIG. 8 is a bottom plan view thereof.

The broken lines shown in the drawings illustrate portions of the article and form no part of the claimed design.

1 Claim, 8 Drawing Sheets



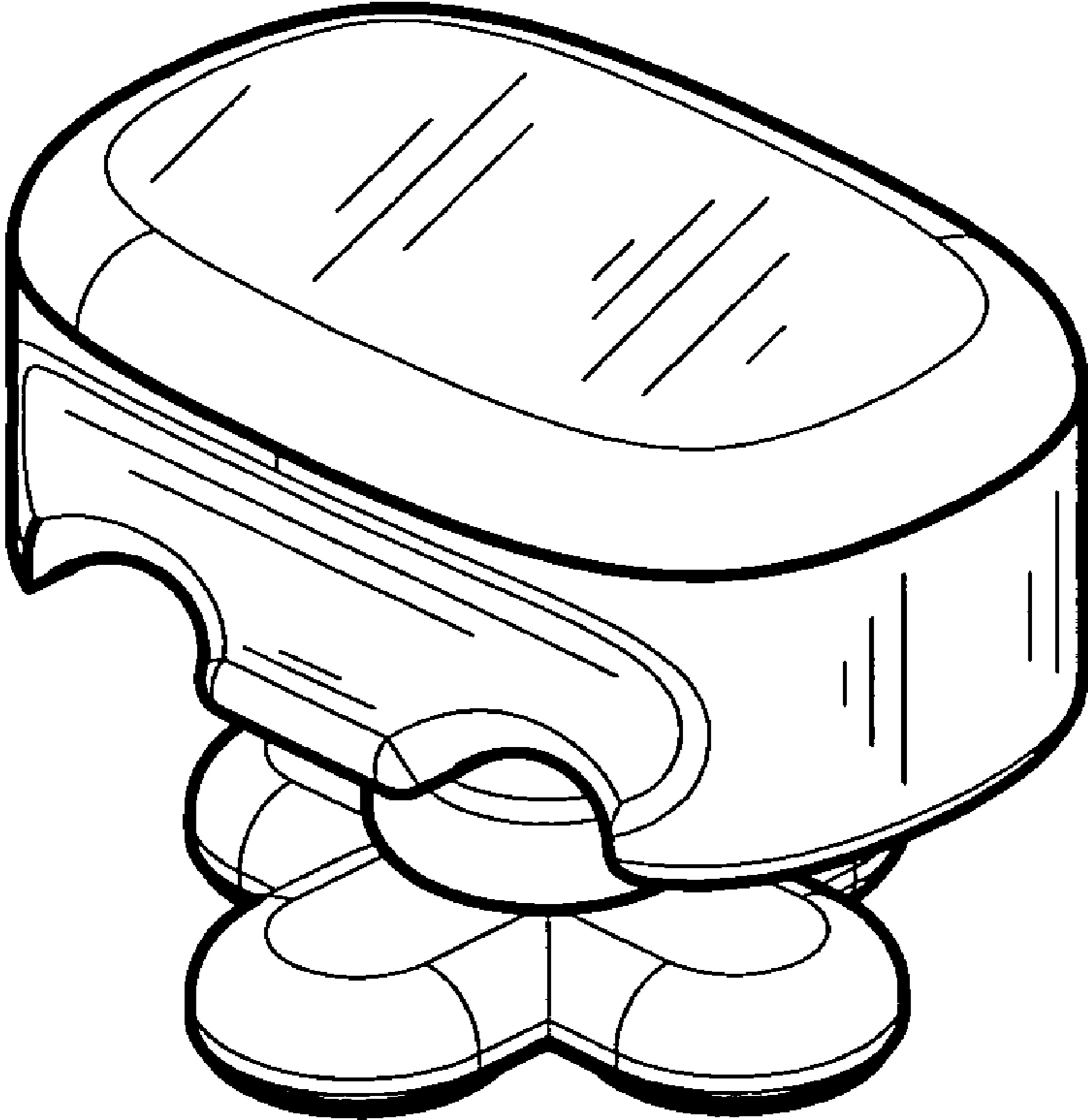


Figure 1

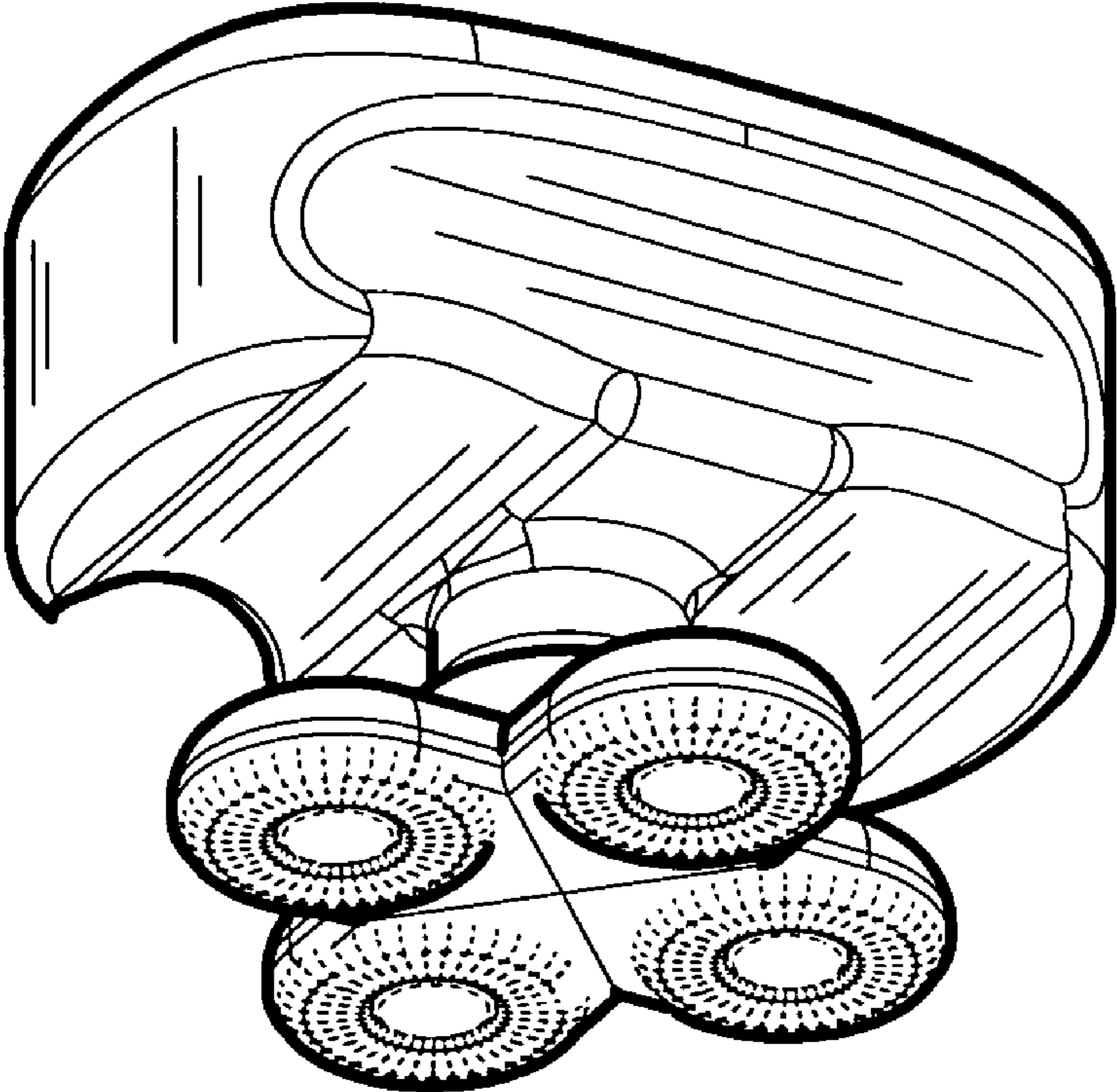


Figure 2

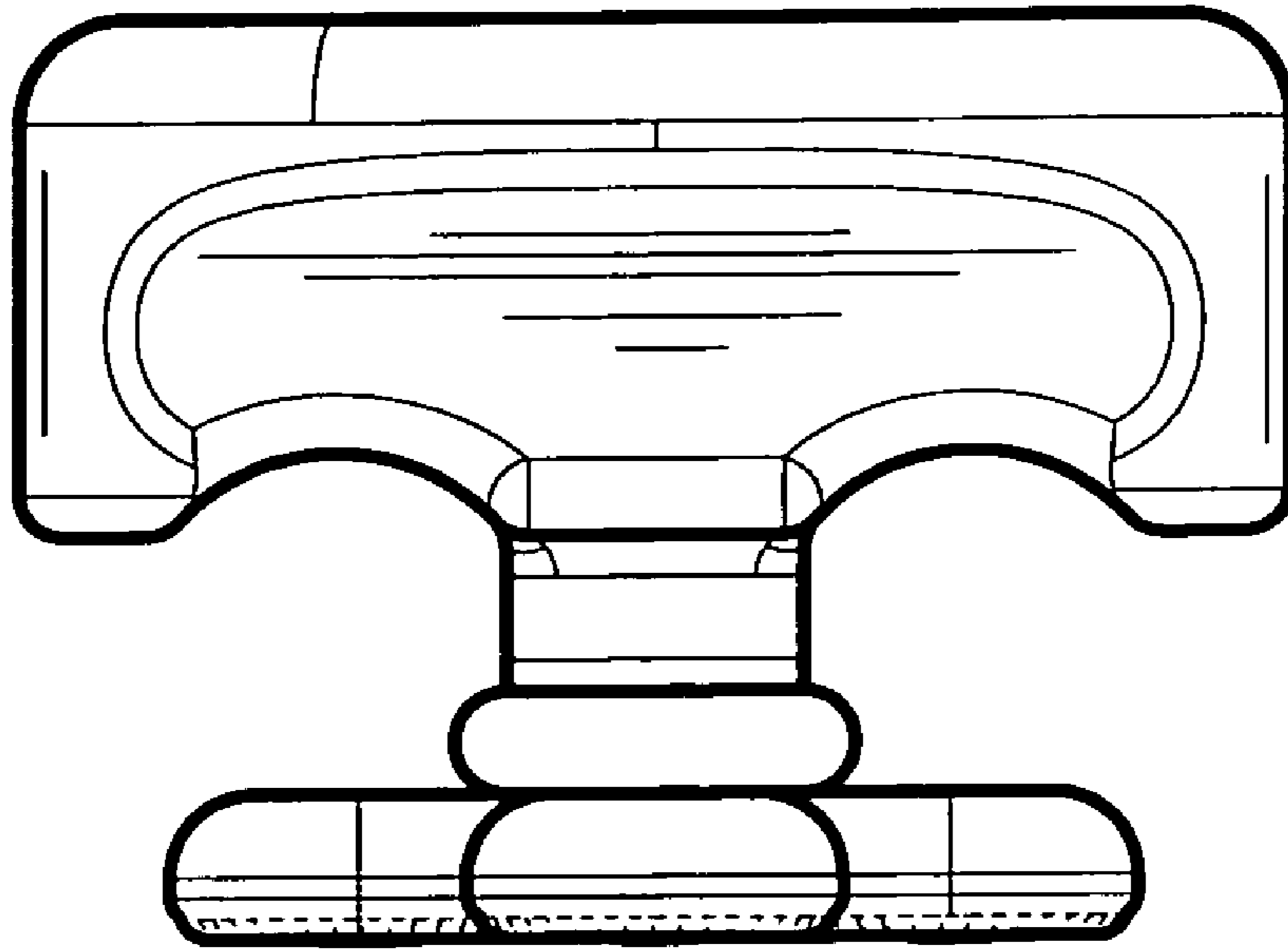


Figure 3

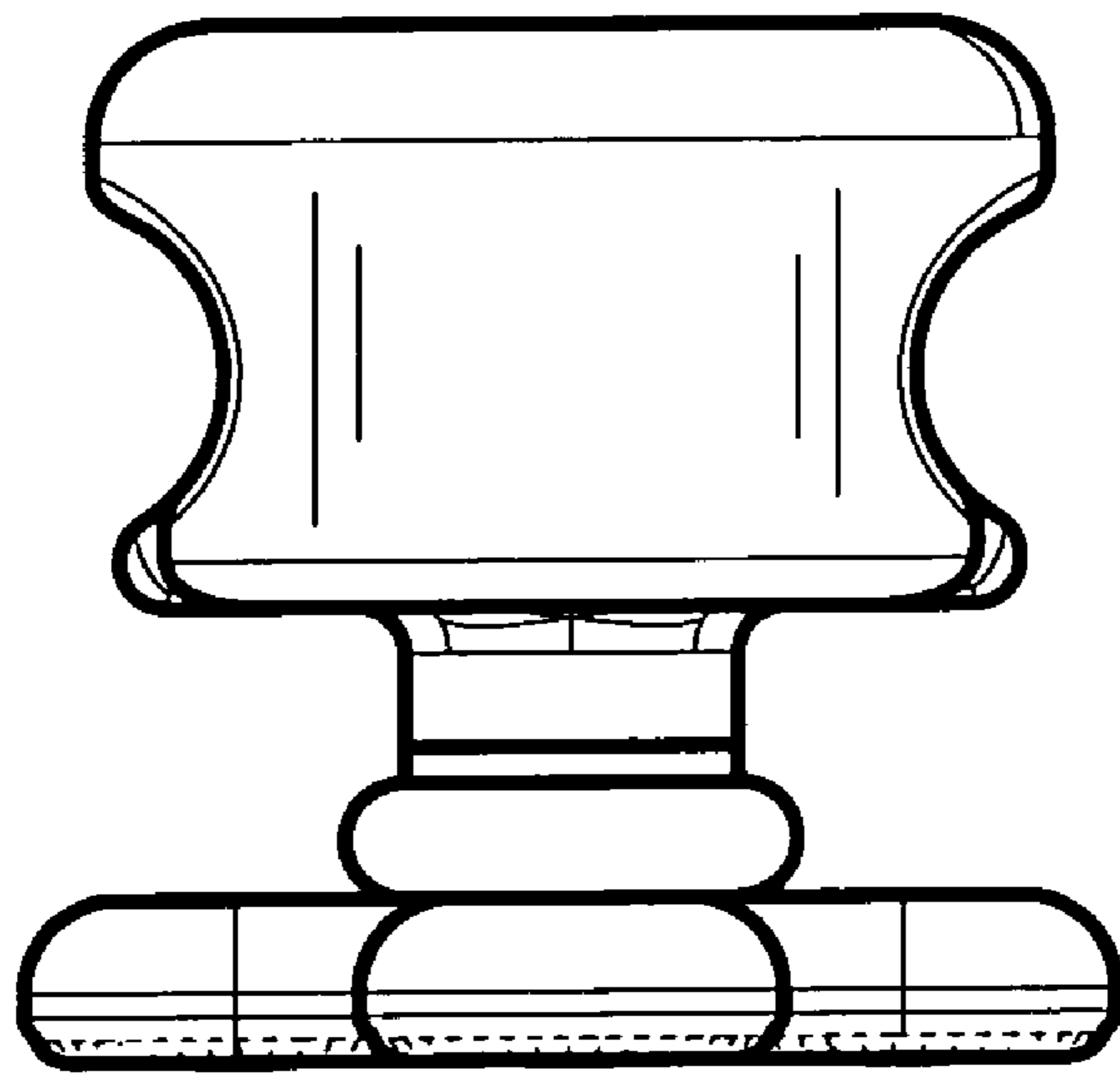


Figure 4

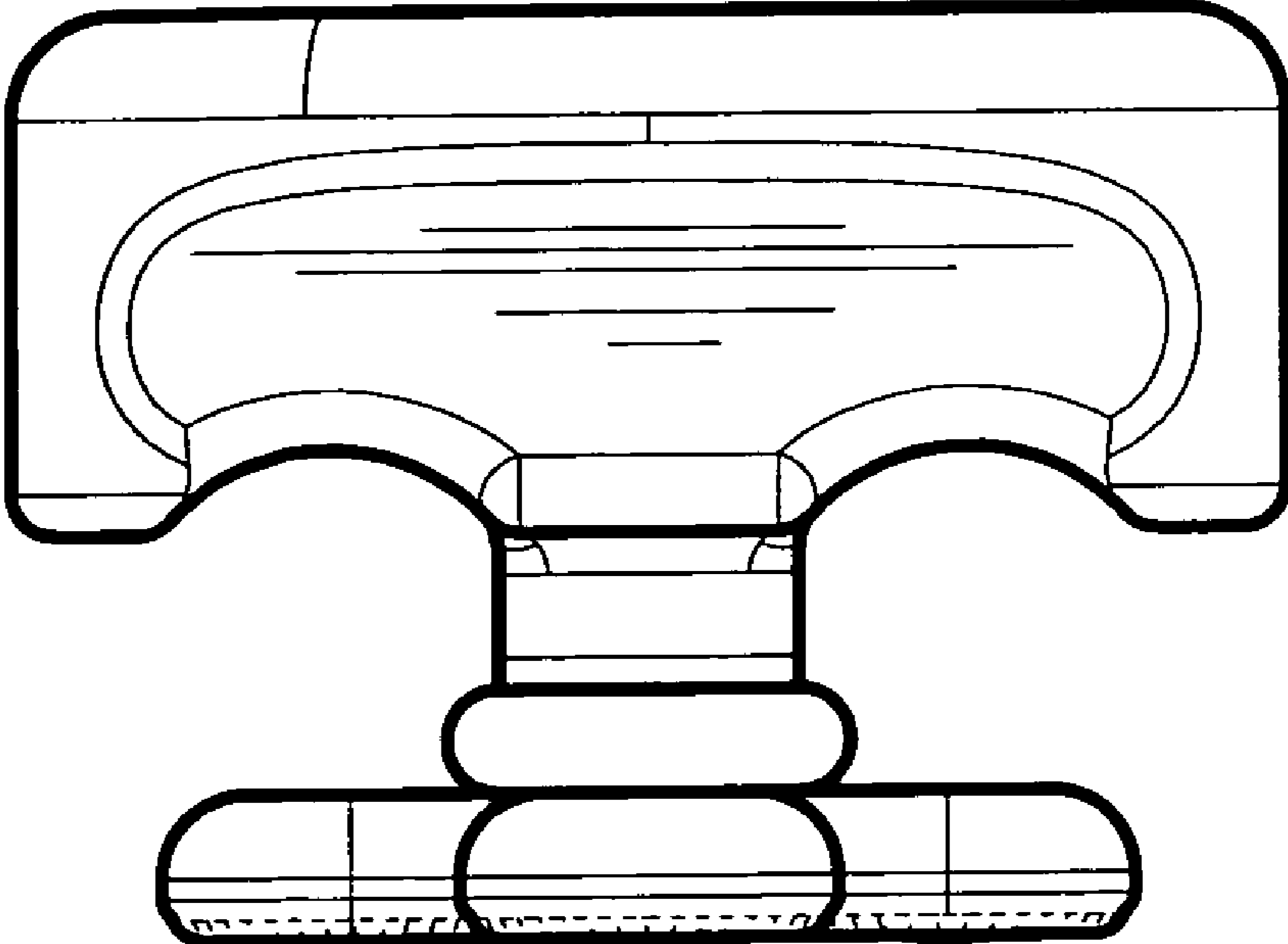


Figure 5

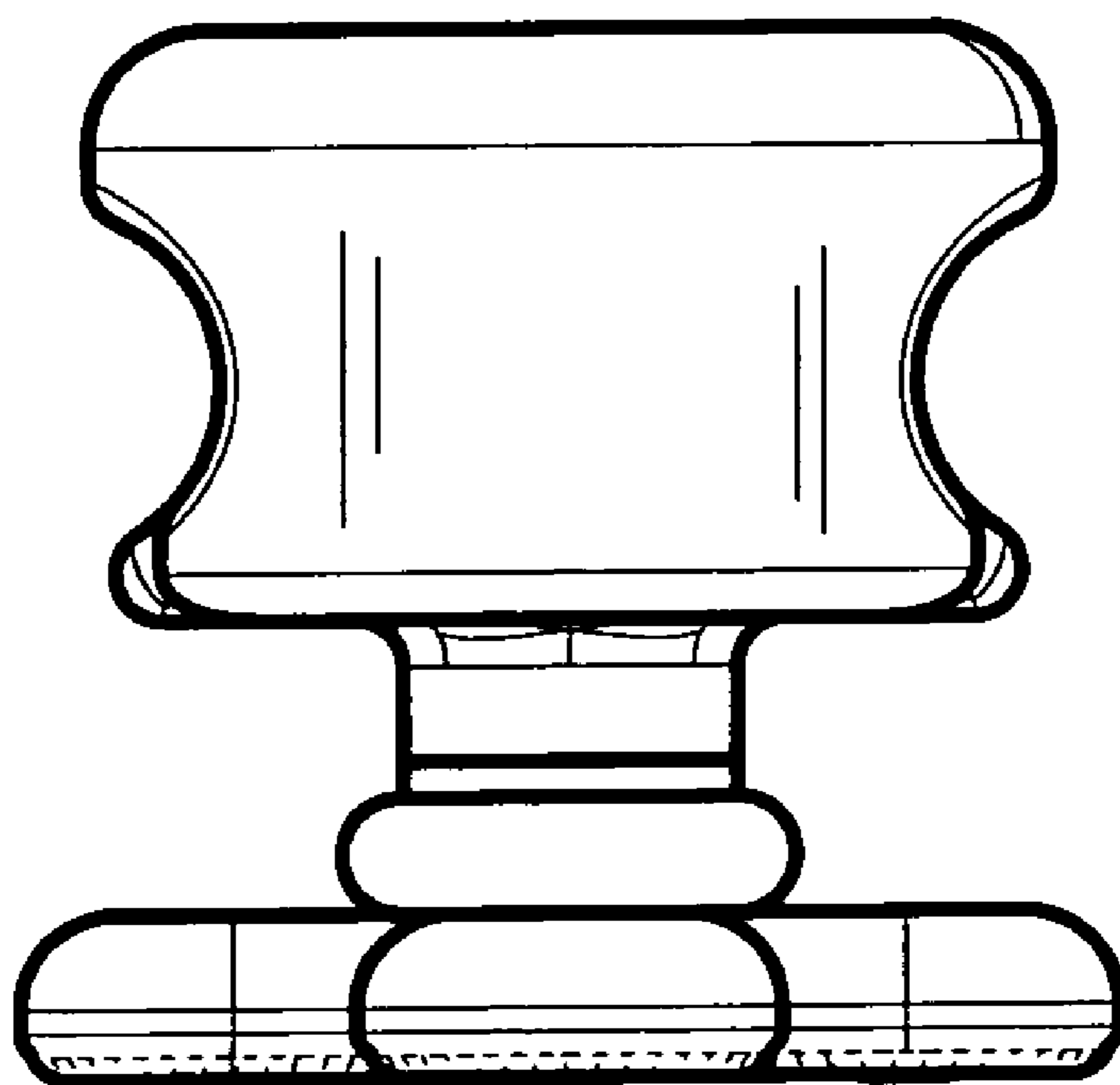


Figure 6

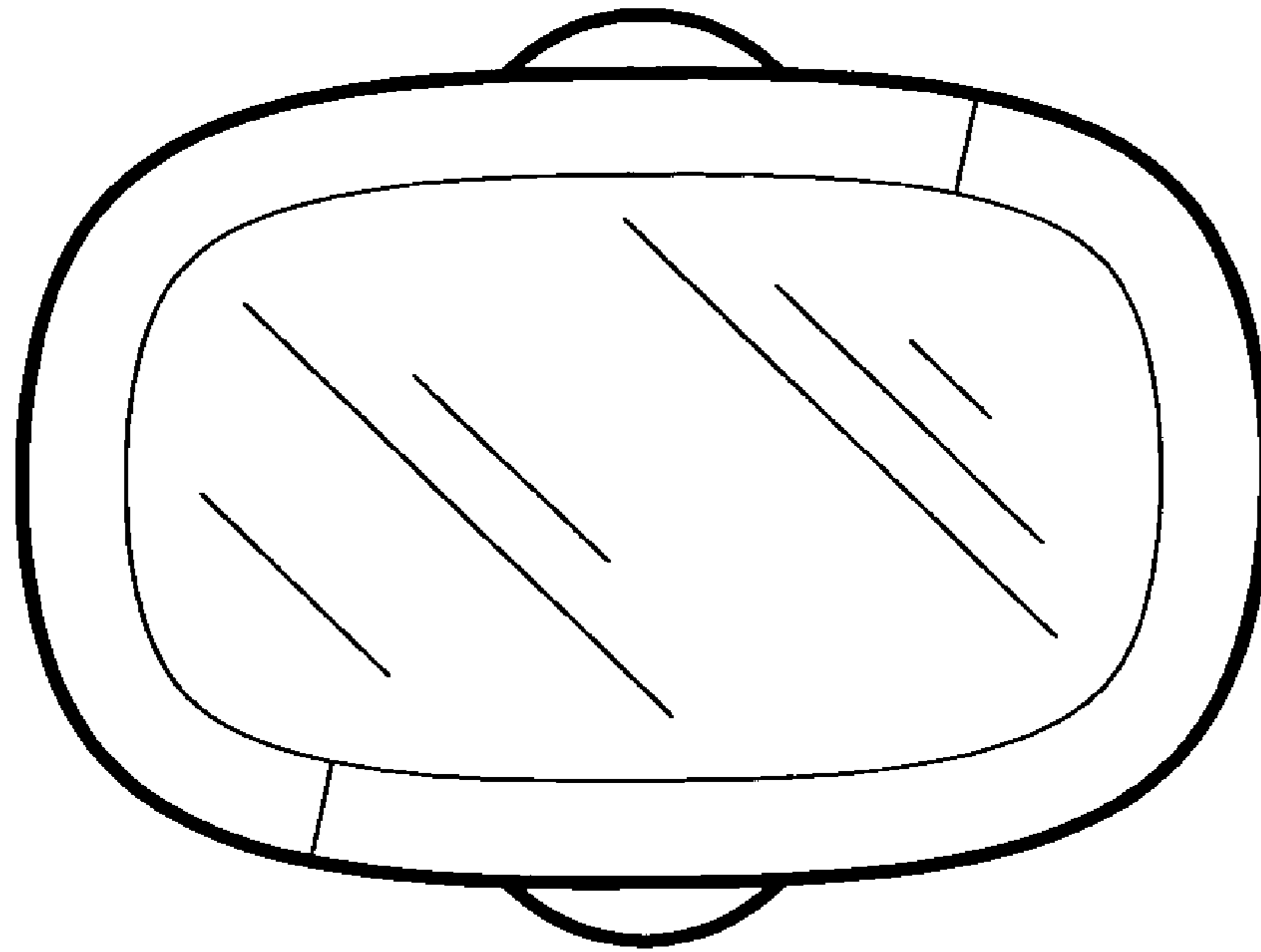


Figure 7

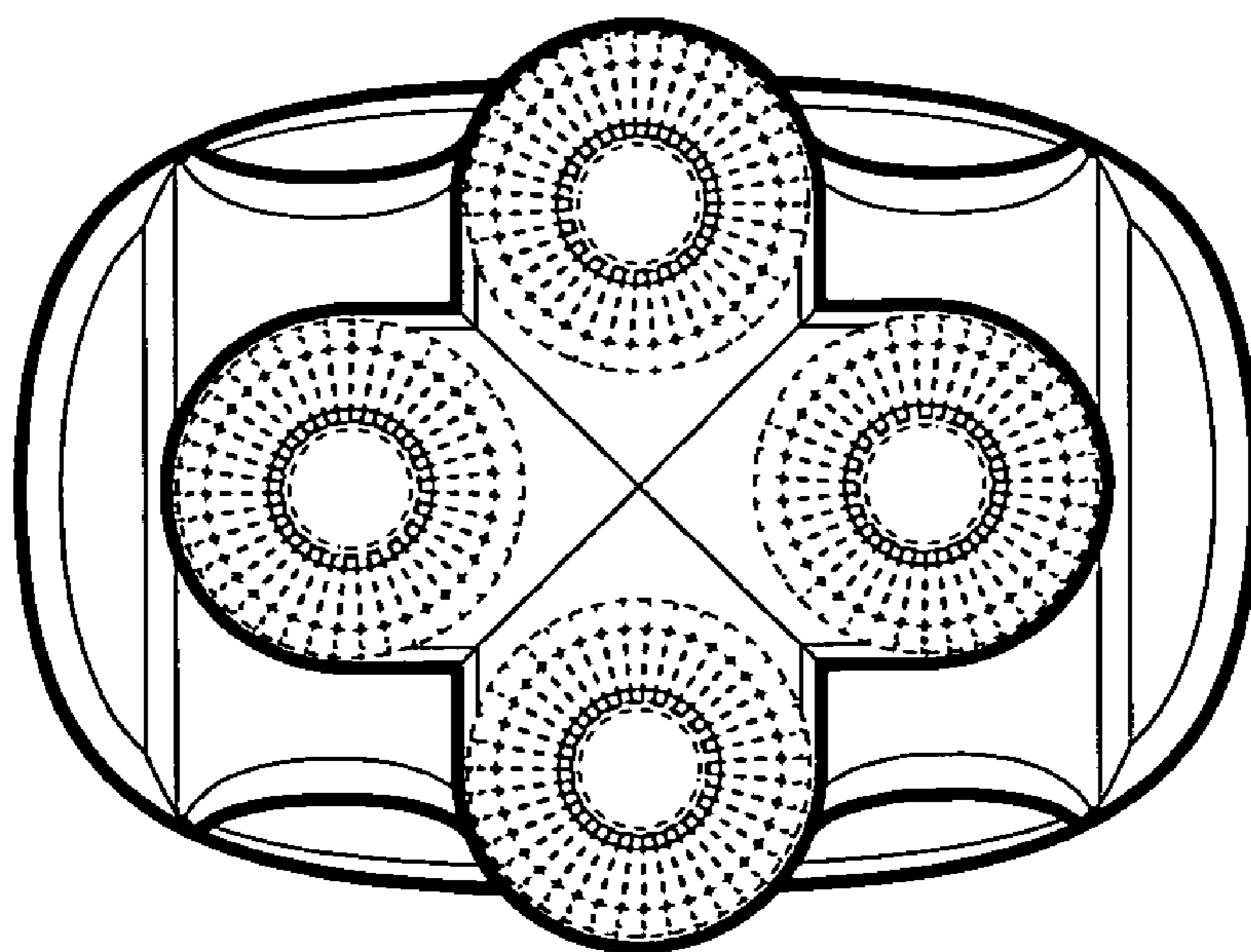


Figure 8