



US00D865274S

(12) **United States Design Patent**  
**Yu et al.**

(10) **Patent No.:** **US D865,274 S**

(45) **Date of Patent:** **\*\* Oct. 29, 2019**

(54) **LAMP COVER**

CPC ..... F21S 48/00; F21S 48/10; F21S 48/115;  
F21S 48/225; F21S 48/1233; F21S  
48/1266; F21S 48/1388; F21S 48/2268;  
F21K 9/00; F21K 29/004; F21V 21/04  
See application file for complete search history.

(71) Applicant: **CUB ELECPARTS INC.**, Fuxing  
Township, Changhua County (TW)

(72) Inventors: **San-Chuan Yu**, Fuxing Township,  
Changhua County (TW); **Ching-Jui  
Chuang**, Fuxing Township, Changhua  
County (TW); **Yi-Hui Hsu**, Fuxing  
Township, Changhua County (TW);  
**Cheng-Hsin Li**, Fuxing Township,  
Changhua County (TW); **Wei-Chang  
Liang**, Fuxing Township, Changhua  
County (TW); **Chi-Ling Chang**, Fuxing  
Township, Changhua County (TW);  
**Ya-Ling Chi**, Fuxing Township,  
Changhua County (TW)

(56) **References Cited**

U.S. PATENT DOCUMENTS

D632,624 S \* 2/2011 Tezak ..... D12/195  
D640,826 S \* 6/2011 Beigel ..... D26/139  
D660,507 S \* 5/2012 Davidson ..... D26/139

\* cited by examiner

*Primary Examiner* — Marcus A Jackson

(74) *Attorney, Agent, or Firm* — Muncy, Geissler, Olds &  
Lowe, PC

(73) Assignee: **CUB ELECPARTS INC.**, Changhua  
County (TW)

(57) **CLAIM**

The ornamental design for a lamp cover, as shown.

(\*\*) Term: **15 Years**

**DESCRIPTION**

(21) Appl. No.: **29/653,684**

FIG. 1 is a perspective view of a lamp cover, showing the  
new design;

(22) Filed: **Jun. 18, 2018**

FIG. 2 is a front elevational view thereof;

(30) **Foreign Application Priority Data**

May 29, 2018 (TW) ..... 107303021

FIG. 3 is a rear elevational view thereof;

(51) **LOC (12) Cl.** ..... **26-99**

FIG. 4 is a left side elevational view thereof;

(52) **U.S. Cl.**

USPC ..... **D26/139**

FIG. 5 is a right side elevational view thereof;

FIG. 6 is a top plan view thereof;

(58) **Field of Classification Search**

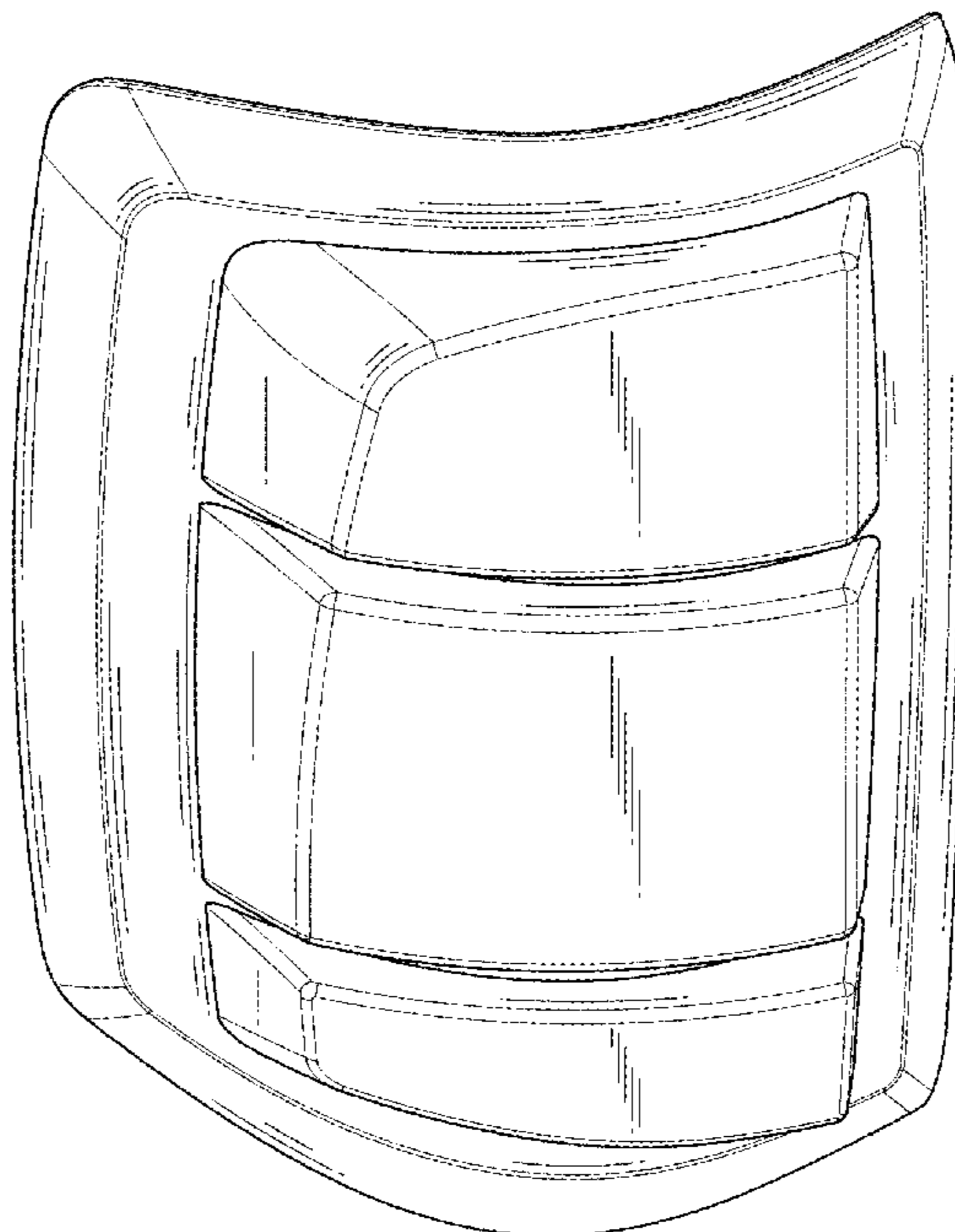
USPC ..... D26/28–36, 139

FIG. 7 is a bottom plan view thereof;

FIG. 8 is another perspective view thereof; and,

FIG. 9 is still another perspective view thereof.

**1 Claim, 8 Drawing Sheets**



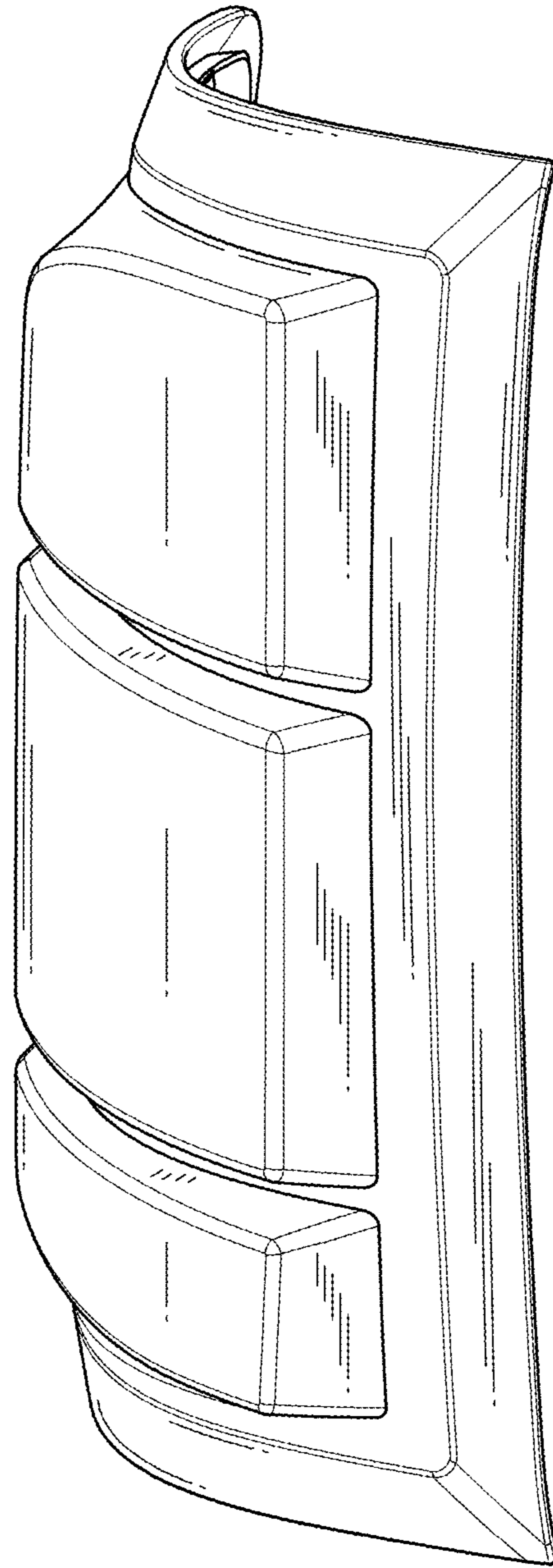


FIG. 1

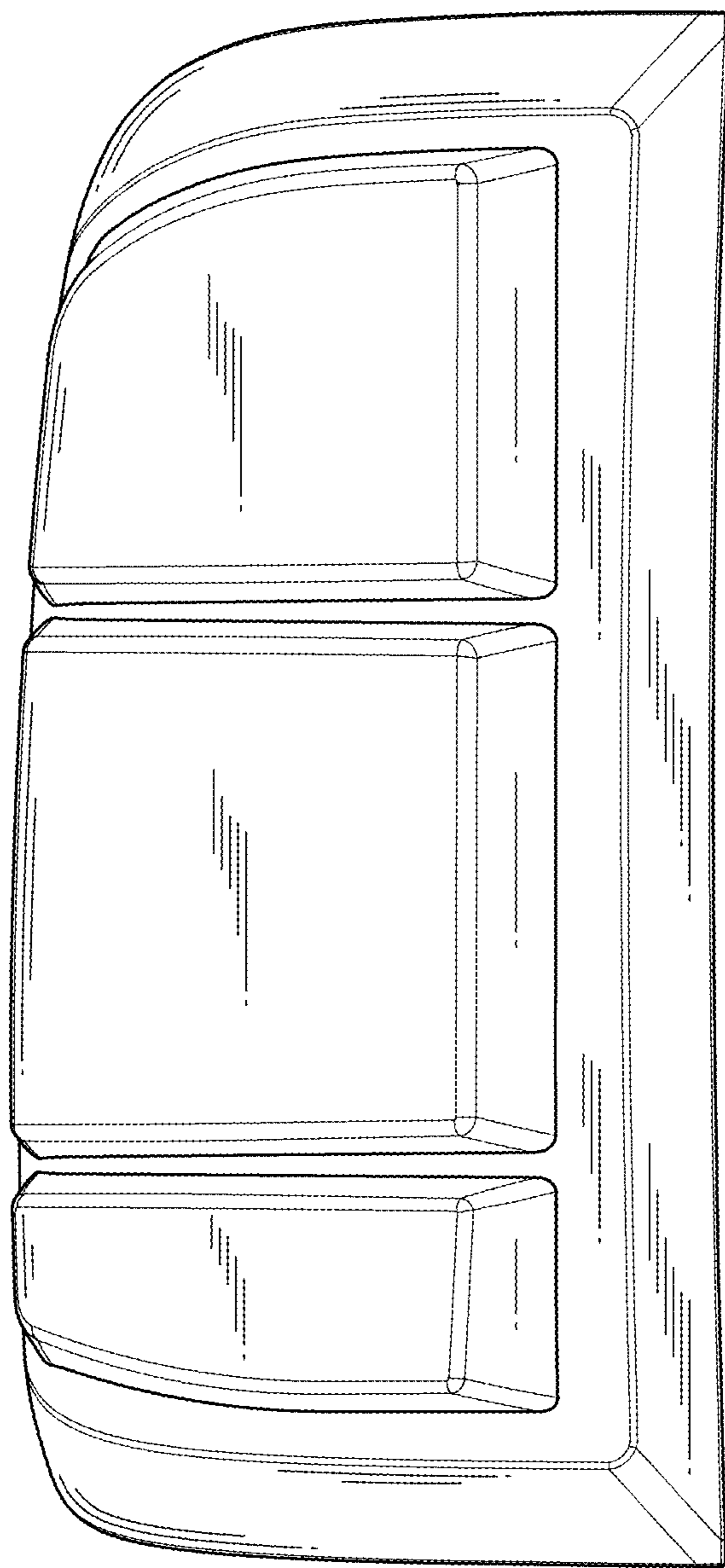


FIG. 2



FIG. 3

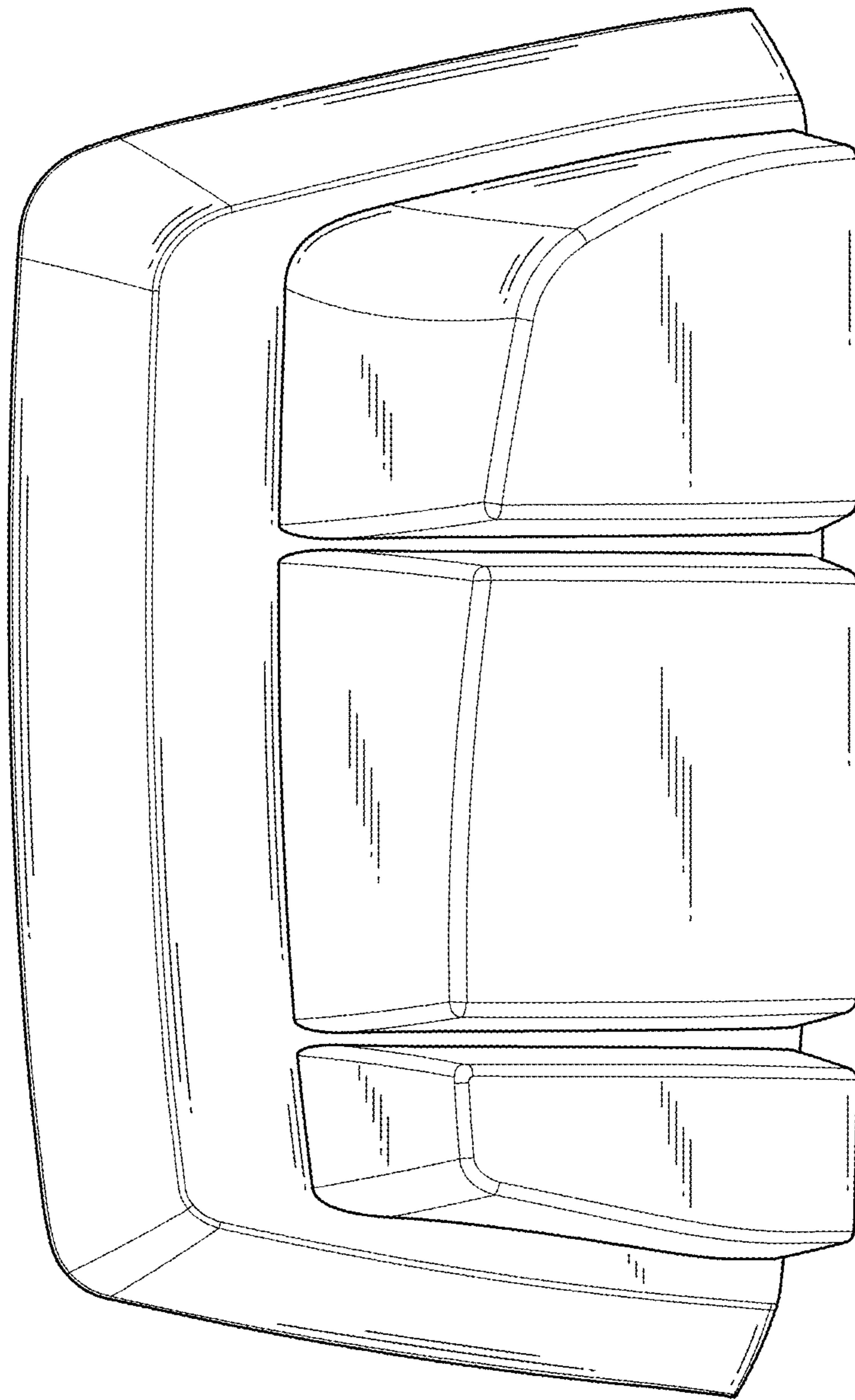


FIG. 4

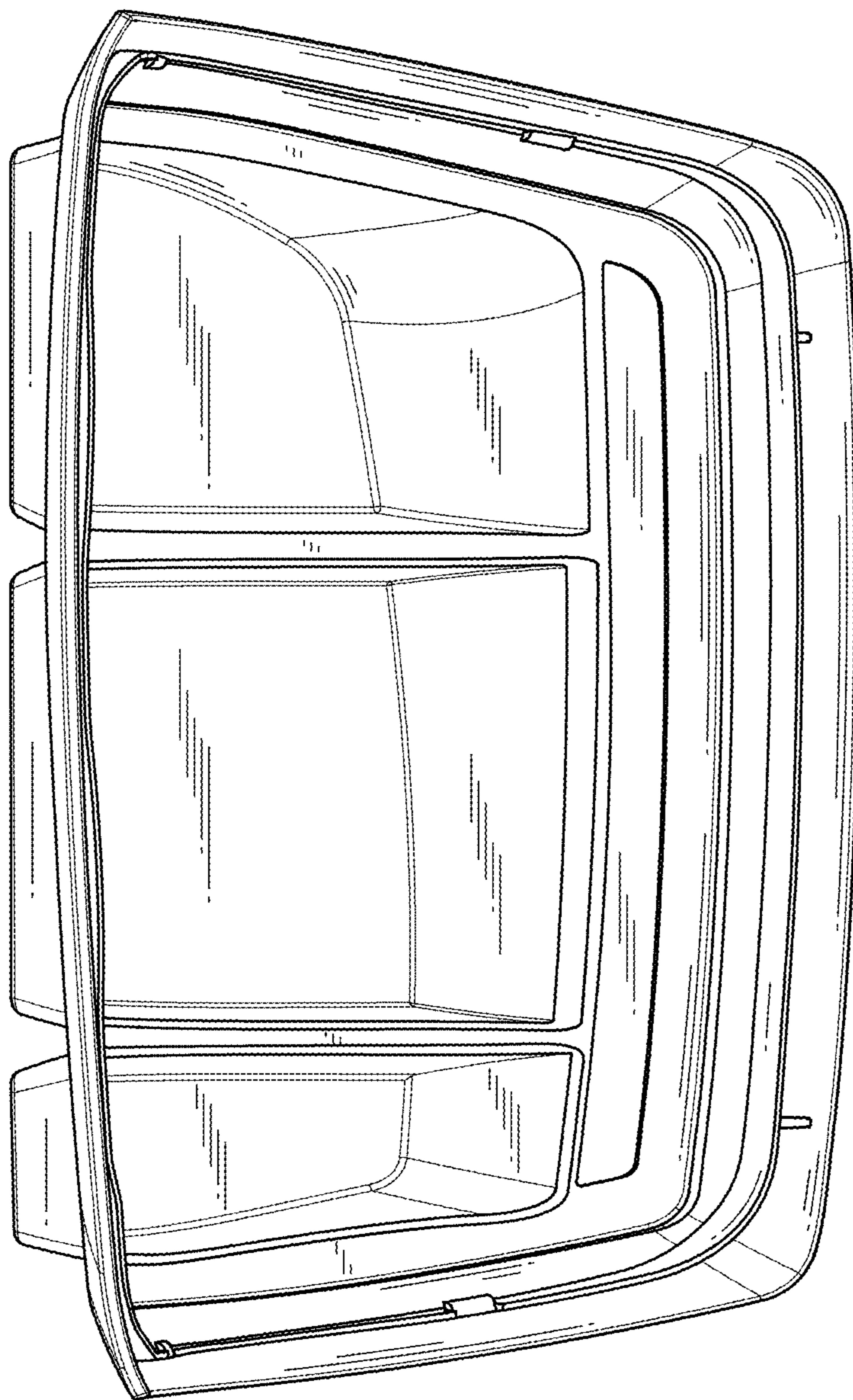


FIG. 5

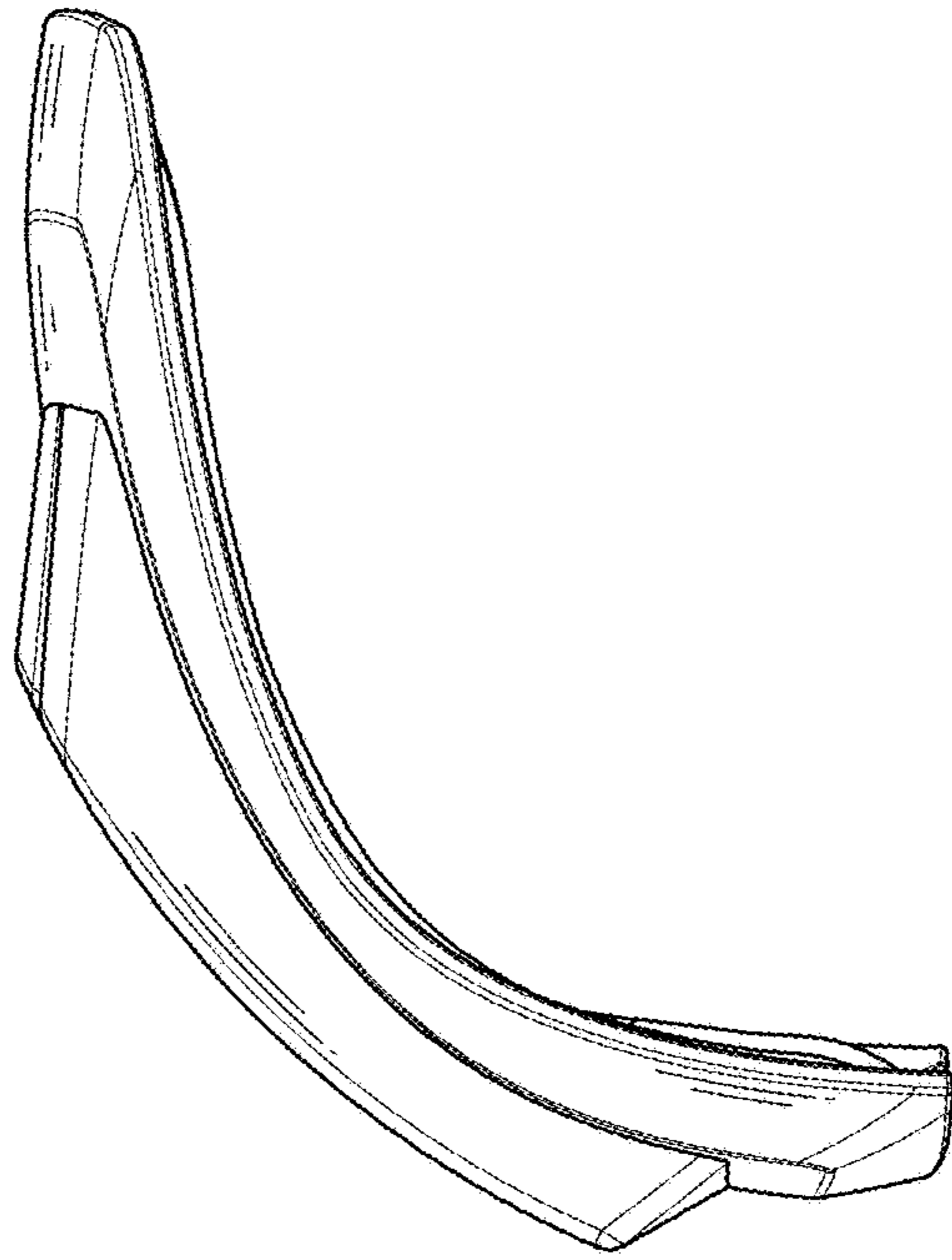


FIG. 6

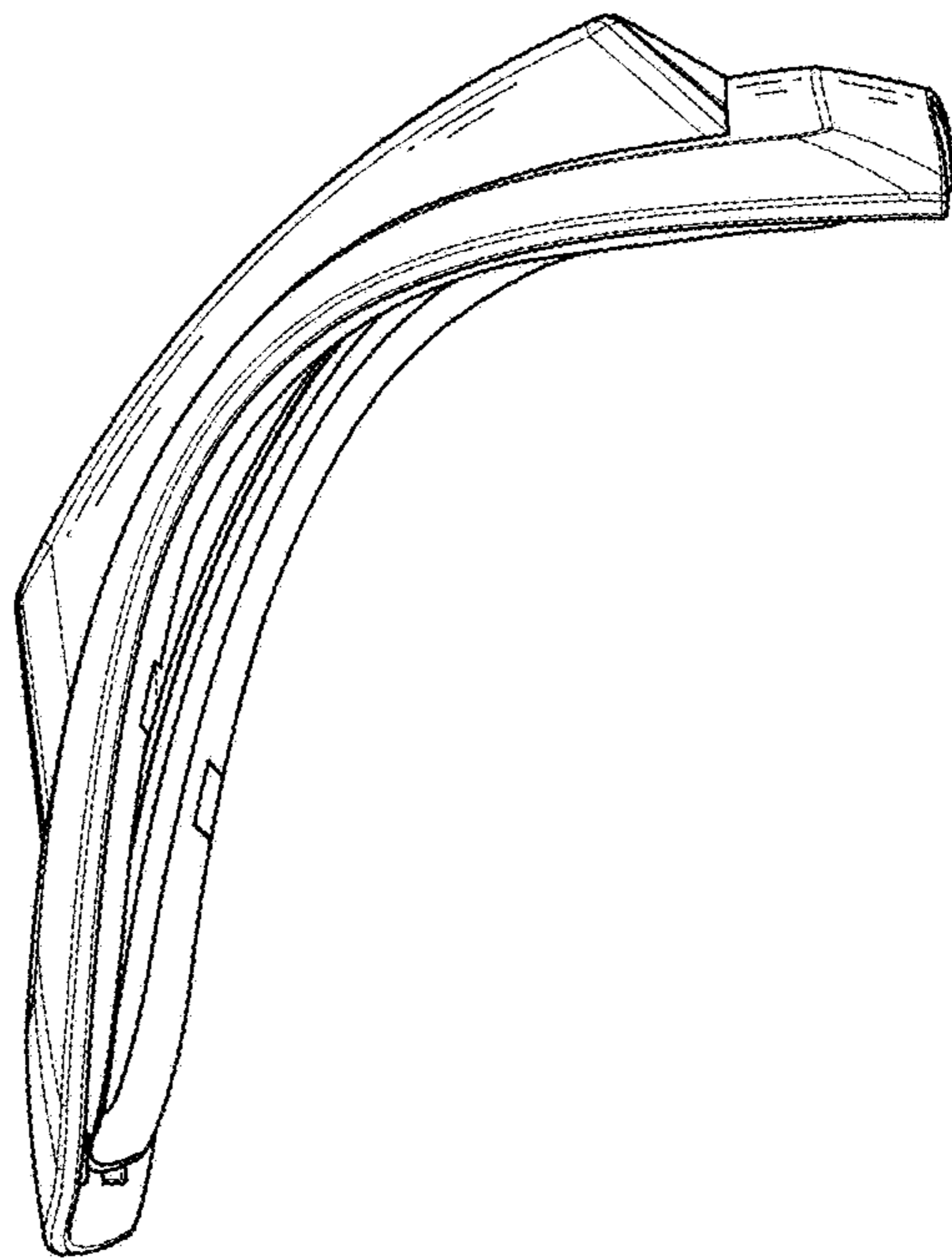


FIG. 7

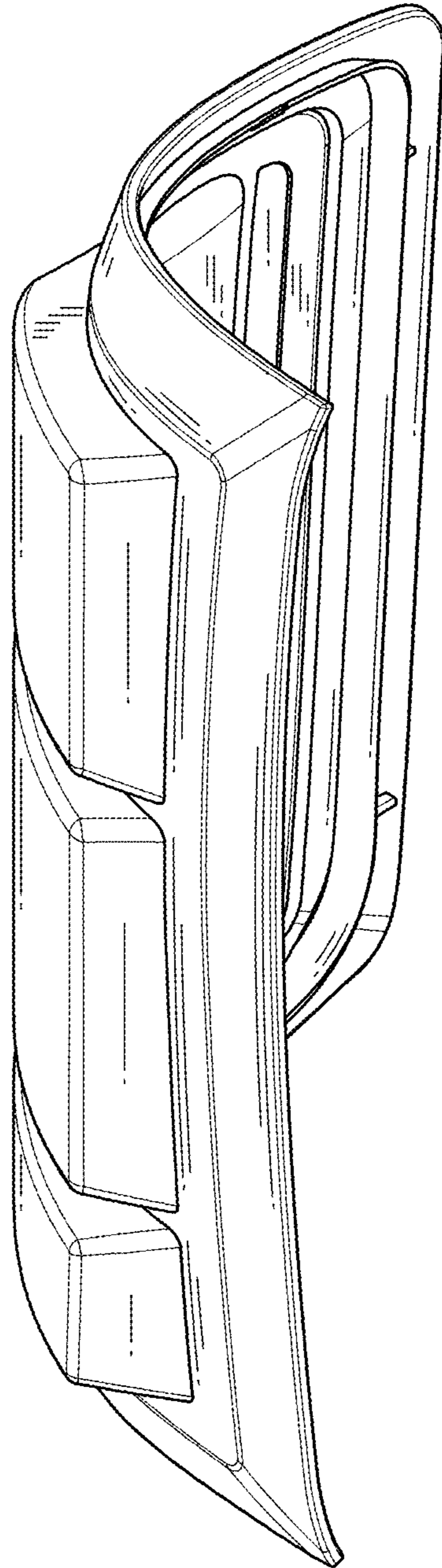


FIG. 8



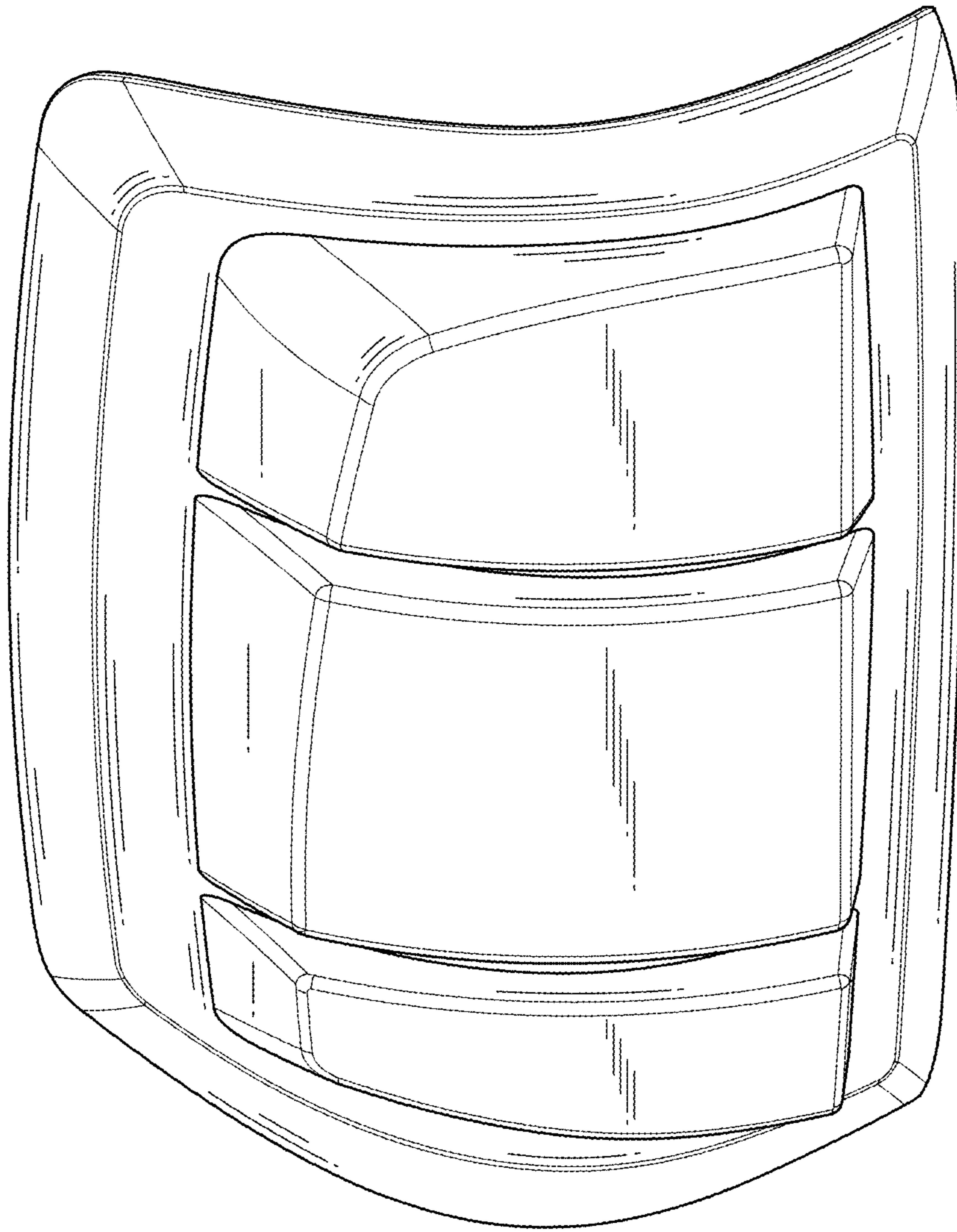


FIG. 9