



US00D486274S

(12) **United States Design Patent**
Tsengas

(10) **Patent No.:** **US D486,274 S**

(45) **Date of Patent:** **** Feb. 3, 2004**

(54) **ADJUSTABLE HEIGHT PET FEEDER**

(76) Inventor: **Steven Tsengas**, 1300 East St., Fairport Harbor, OH (US) 44077

(**) Term: **14 Years**

(21) Appl. No.: **29/181,969**

(22) Filed: **May 19, 2003**

(51) **LOC (7) Cl.** **30-03**

(52) **U.S. Cl.** **D30/130**

(58) **Field of Search** D30/130, 121, D30/122, 129, 132; 119/74, 71-72, 60-61, 77, 75, 51.5, 51 R, 58-63

(56) **References Cited**

U.S. PATENT DOCUMENTS

D230,033 S	*	1/1974	Goldman	D30/130
D289,807 S	*	5/1987	Russell	D30/129
D312,896 S	*	12/1990	Goetz	D30/130

* cited by examiner

Primary Examiner—Lisa Lichtenstein
(74) *Attorney, Agent, or Firm*—John D. Gugliotta

(57) **CLAIM**

The ornamental design for an adjustable height pet feeder, as shown and described.

DESCRIPTION

FIG. 1 is a perspective view of an adjustable height pet feeder showing my new design;

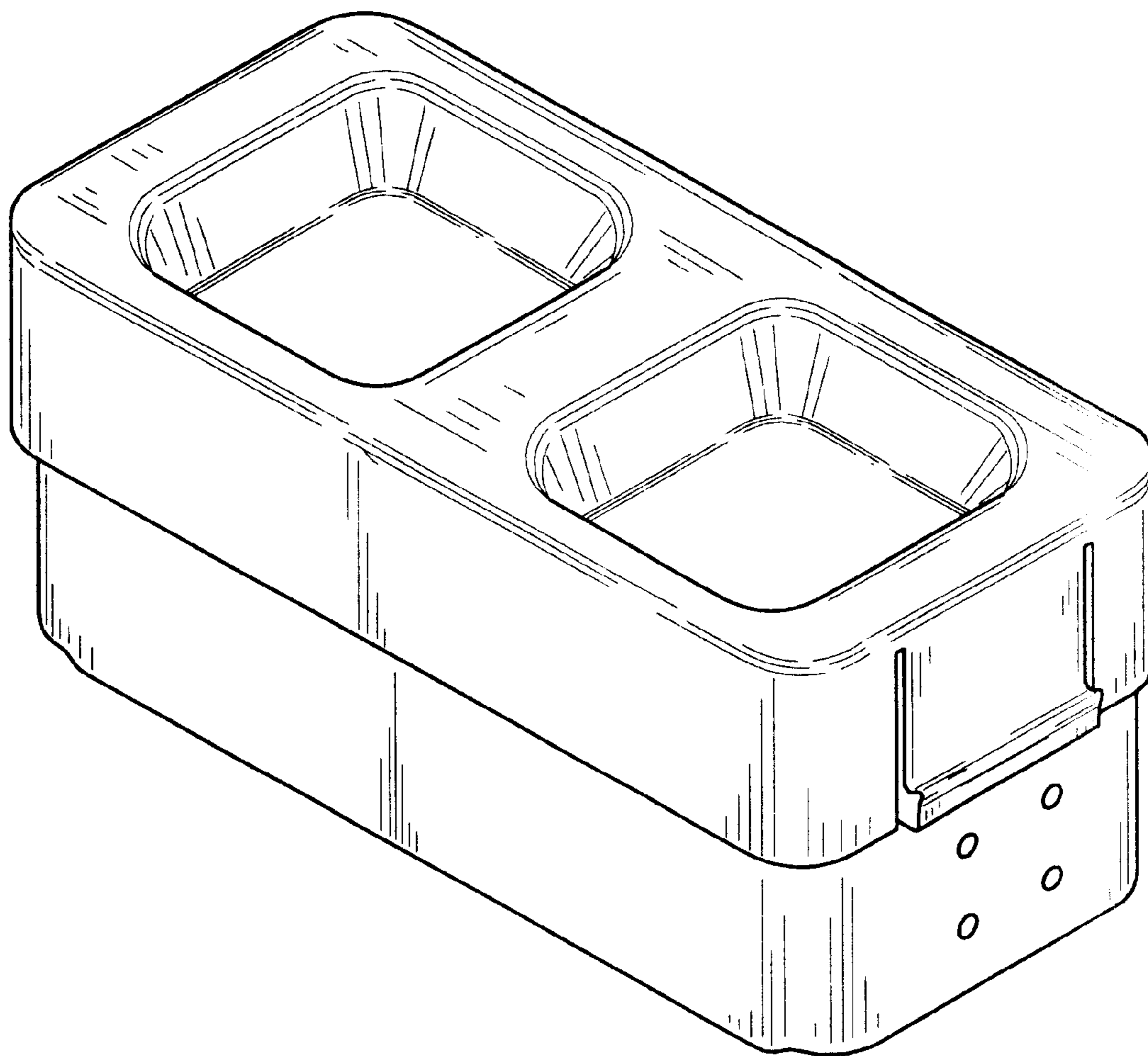
FIG. 2 is a front elevation view with the opposite side being a mirror image thereof;

FIG. 3 is a side elevation view with the opposite side being a mirror image thereof;

FIG. 4 is a top plan view; and,

FIG. 5 is a bottom plan view thereof.

1 Claim, 3 Drawing Sheets



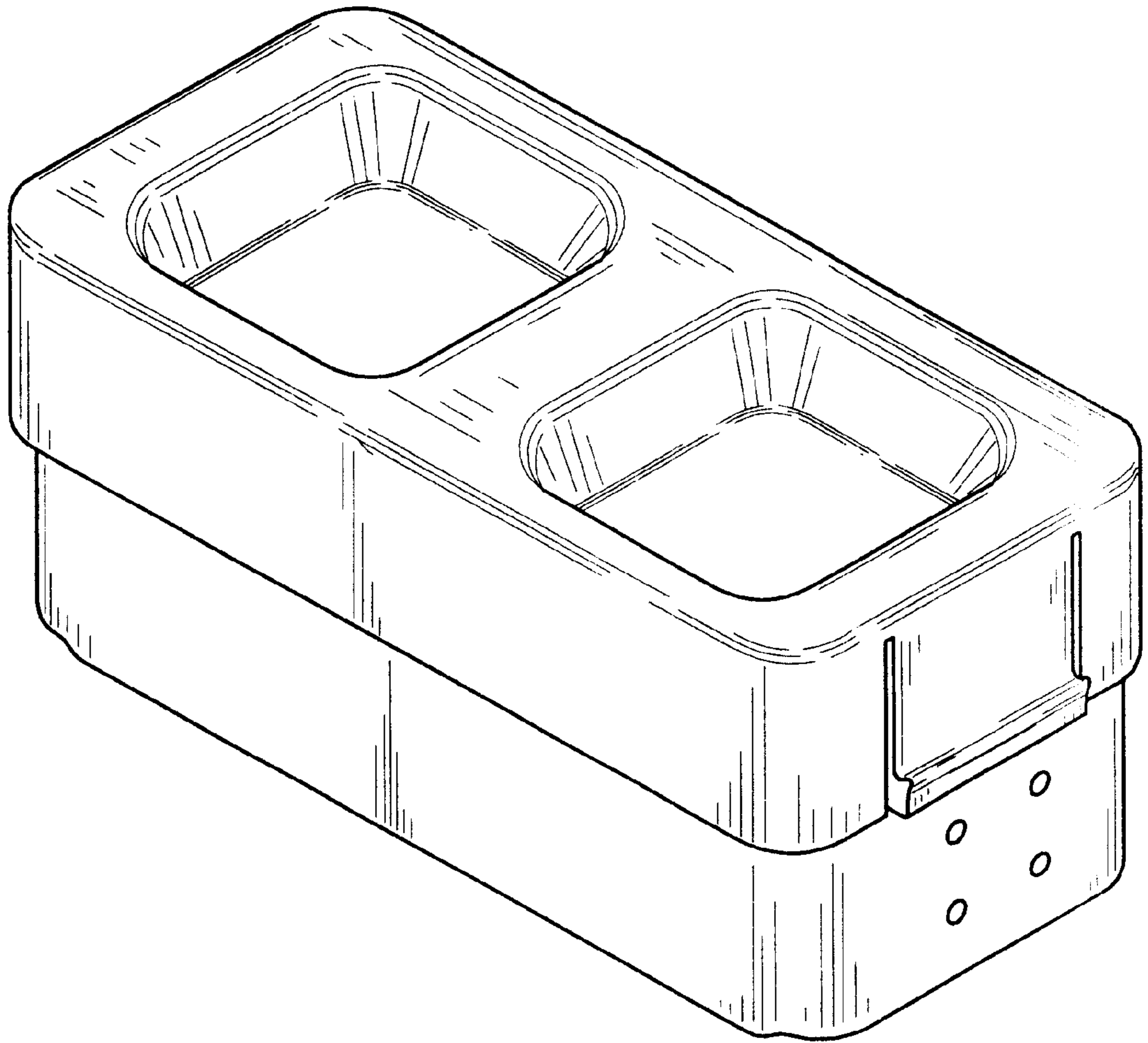


Fig. 1

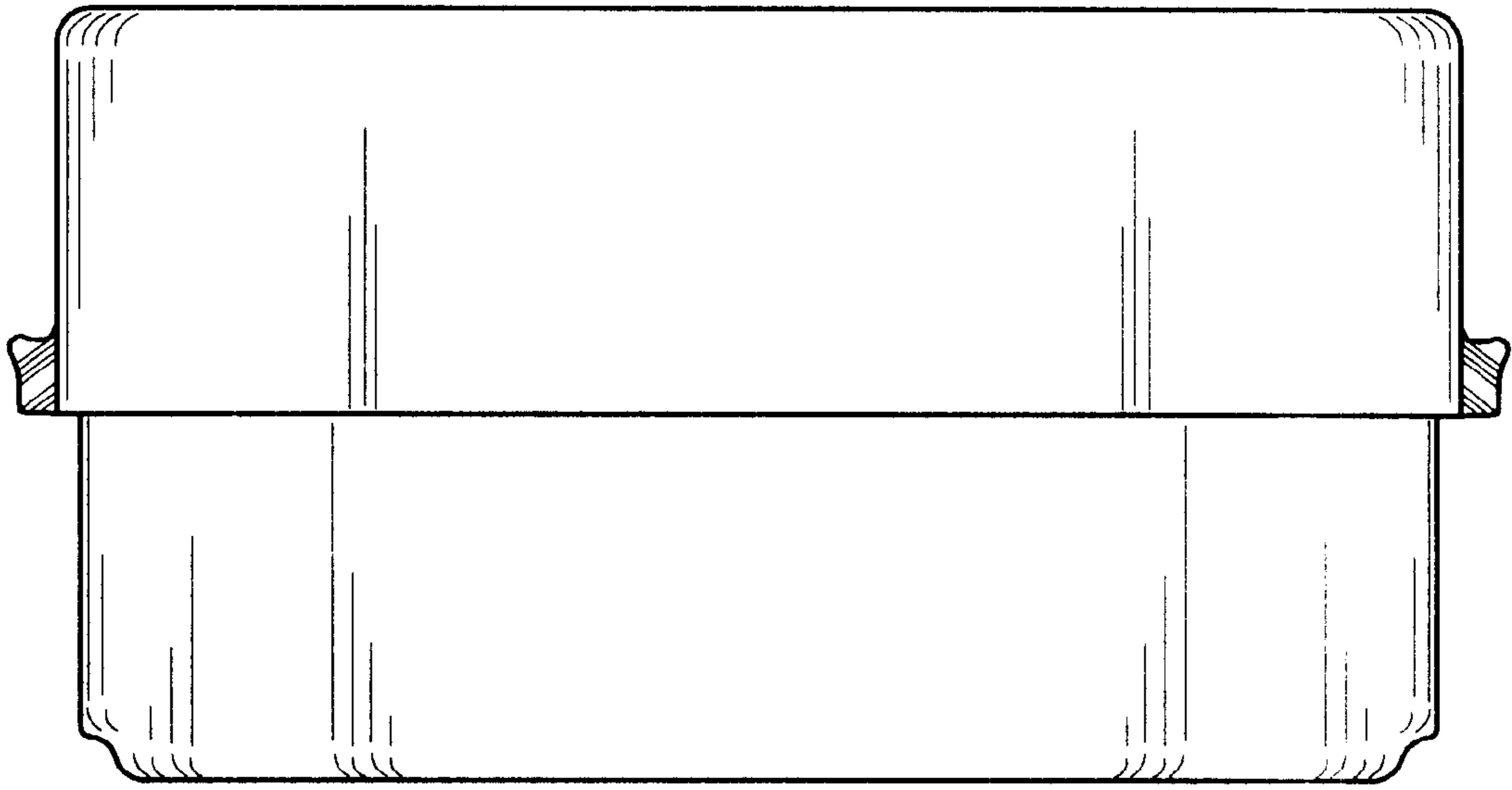


Fig. 2

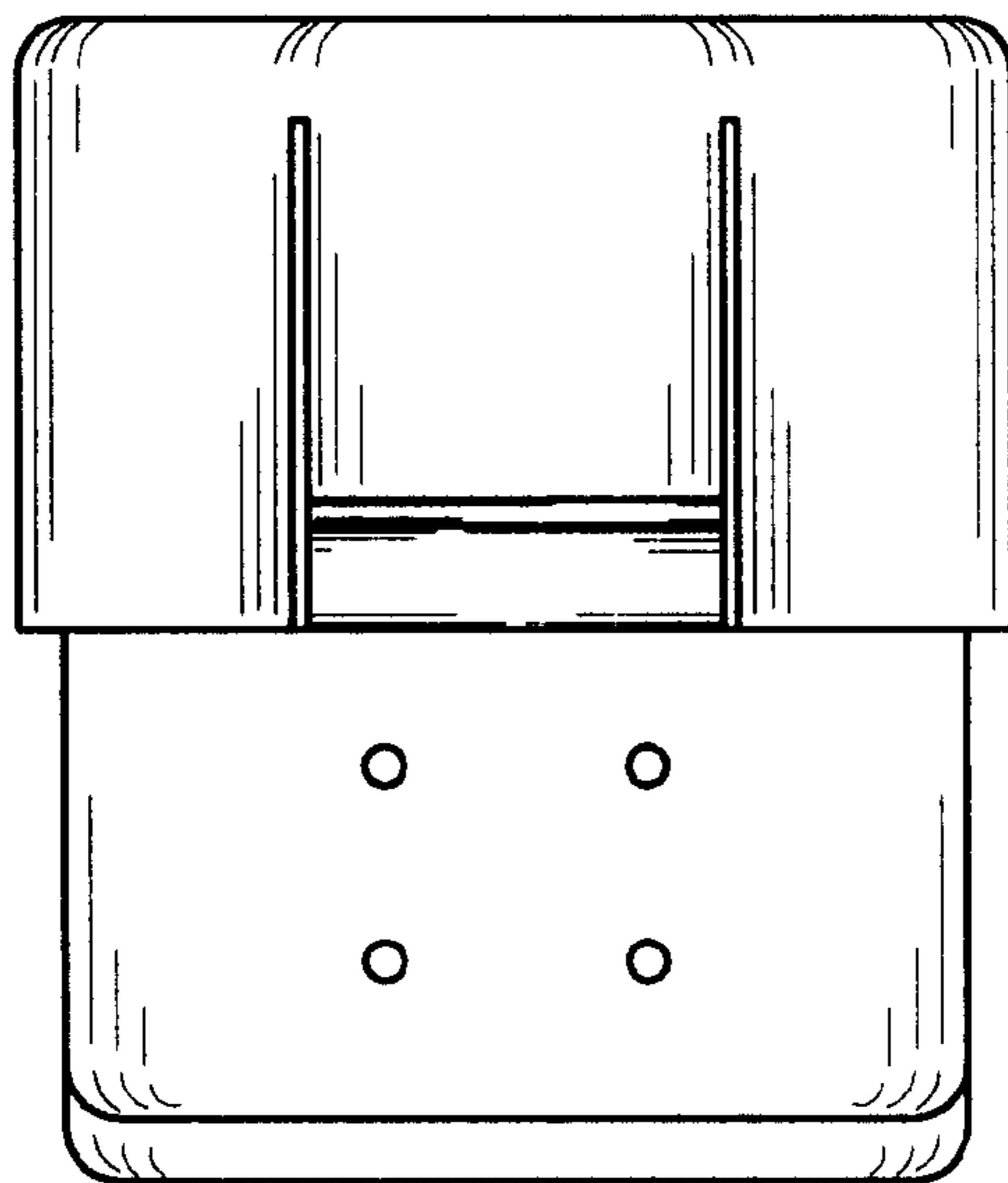


Fig. 3

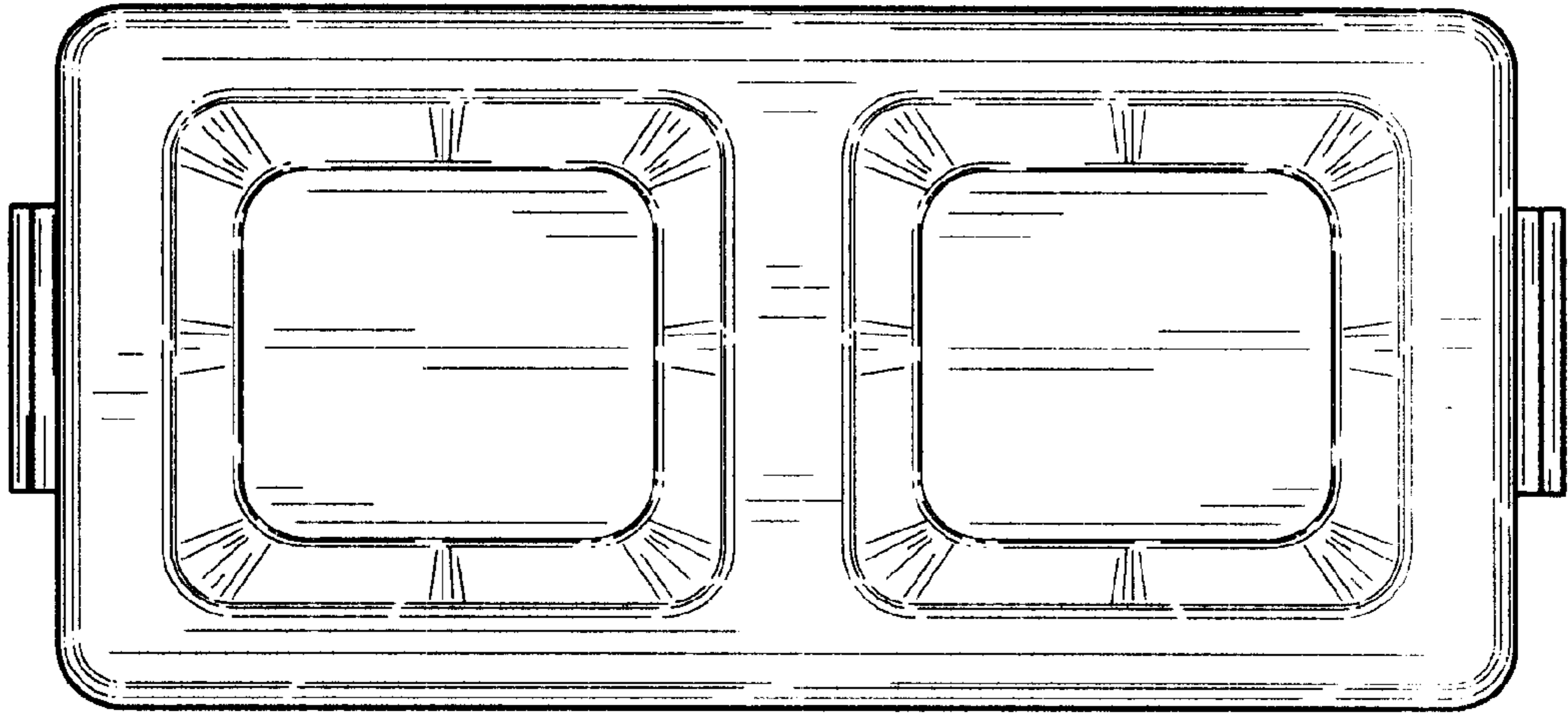


Fig. 4



Fig. 5