



US00D725492S

(12) **United States Design Patent**  
**Pennington**

(10) **Patent No.:** **US D725,492 S**  
(45) **Date of Patent:** **\*\* Mar. 31, 2015**

- (54) **CONCEALMENT CLOCK FOR A FIREARM**
- (71) Applicant: **Billy Pennington**, Little Rock, AR (US)
- (72) Inventor: **Billy Pennington**, Little Rock, AR (US)
- (\*\*) Term: **14 Years**
- (21) Appl. No.: **29/448,937**
- (22) Filed: **Mar. 14, 2013**
- (51) **LOC (10) Cl.** ..... **10-01**
- (52) **U.S. Cl.**  
USPC ..... **D10/2; D10/24**
- (58) **Field of Classification Search**  
CPC ..... G04B 19/00; G04B 19/04; G04B 19/043;  
G04B 37/0066; G04B 37/1473; G04B 47/00;  
G04B 47/02  
USPC ..... D10/1-29, 122-132; D6/401, 432, 559;  
D19/64; D22/108; D99/28; 206/216;  
368/10, 76, 80, 223, 228, 232, 233,  
368/276-282, 285, 294; 434/304  
See application file for complete search history.

(56) **References Cited**

**U.S. PATENT DOCUMENTS**

D2,164 S *	9/1865	Foote	D10/27
D40,468 S *	1/1910	Wheaton	D6/401
D43,733 S *	3/1913	Buckland	D10/26
2,488,483 A *	11/1949	Thatcher	40/429
D176,184 S *	11/1955	Hancock	D10/26
2,853,182 A *	9/1958	Barnett	206/216
D235,523 S *	6/1975	Miller	D10/2
3,930,702 A *	1/1976	Pichowicz	312/245
D252,430 S *	7/1979	Oakley et al.	D6/432
D273,849 S *	5/1984	Berges et al.	D10/129
D302,137 S *	7/1989	Leavitt	D10/129
D346,116 S *	4/1994	Godinger	D10/26
5,751,667 A *	5/1998	Nunes	368/223
D413,271 S *	8/1999	Wu	D10/2
D416,202 S *	11/1999	Wu	D10/2
D416,736 S *	11/1999	Bergin	D6/559
D443,208 S *	6/2001	Chan	D10/2

(Continued)

*Primary Examiner* — Martie K Holtje  
(74) *Attorney, Agent, or Firm* — Joe D. Calhoun

(57) **CLAIM**

The ornamental design of a concealment clock for a firearm, as shown and described.

**DESCRIPTION**

FIG. 1 is a perspective view of a concealment clock for a firearm showing a first embodiment having a dial face of oval-shaped configuration, with the door shown in a closed position;

FIG. 2 is a top plan view of FIG. 1;

FIG. 3 is a bottom plan view of FIG. 1;

FIG. 4 is a front elevational view of FIG. 1;

FIG. 5 is a rear elevational view of FIG. 1;

FIG. 6 is a left side elevational view of FIG. 1, the right side being a mirror image thereof;

FIG. 7 is a left side elevational view of FIG. 1 with the door in an opened position and hinged near the top of the case;

FIG. 8 is a perspective view of an alternate embodiment of FIG. 1, with the door in an opened position and alternately hinged near the bottom of the case;

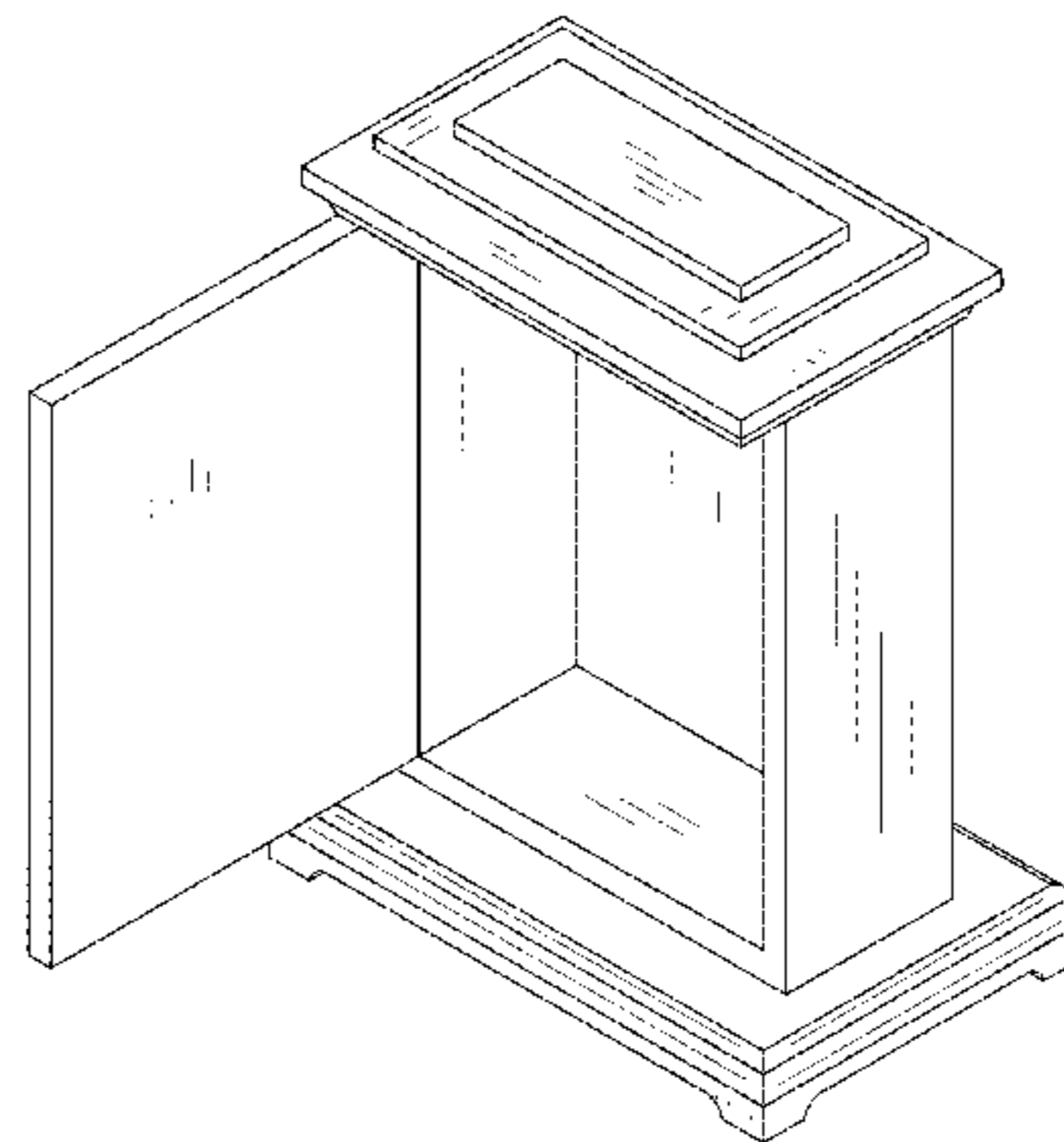
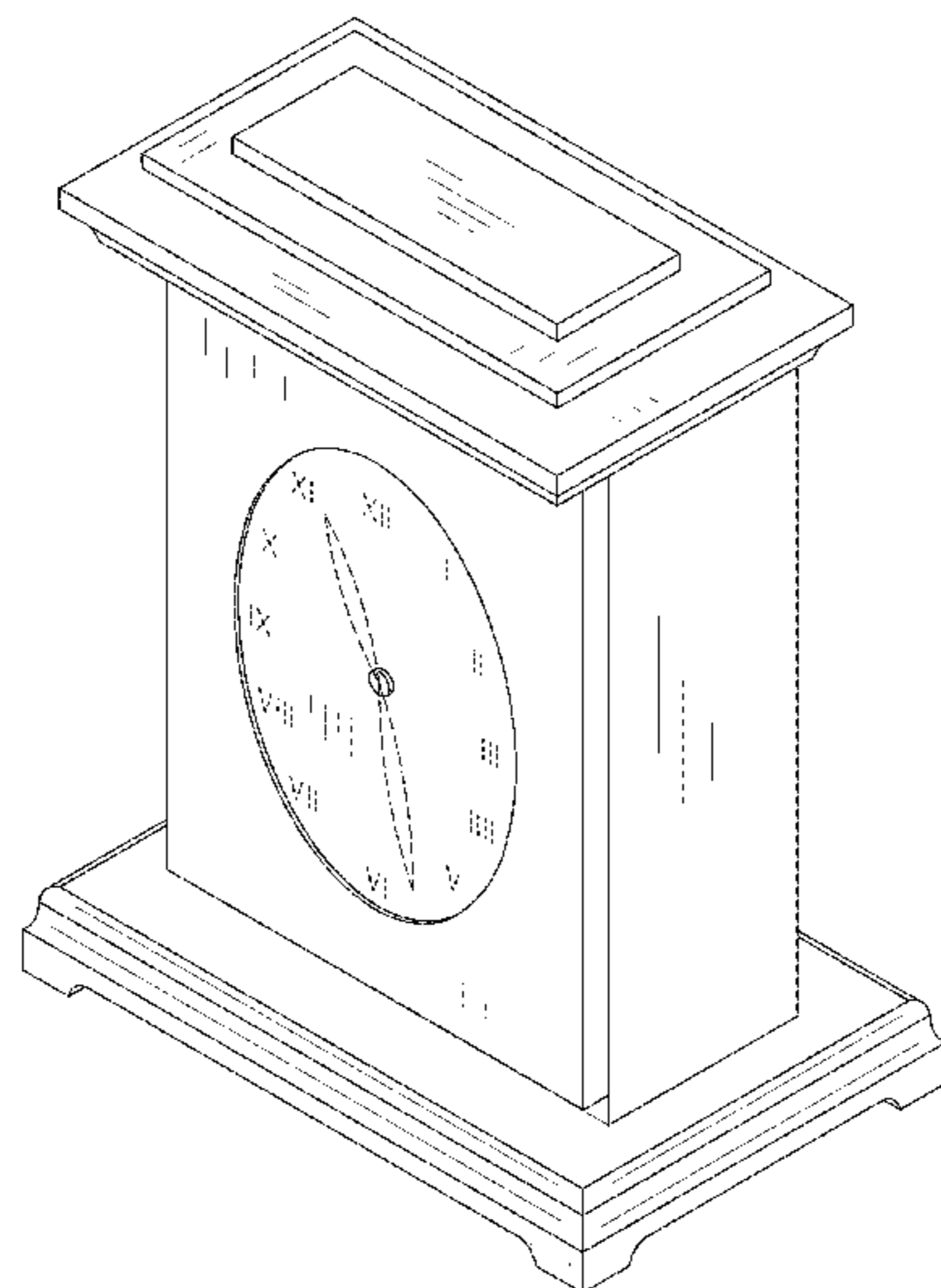
FIG. 9 is a left side elevational view of FIG. 8, the right side being a mirror image thereof;

FIG. 10 is a perspective view of a second alternate embodiment of FIG. 1, with the door in an opened position, and alternately hinged near the left side of the case;

FIG. 11 is a front elevational view of FIG. 10; and,

FIG. 12 is a perspective view of a third alternate embodiment of FIG. 1, having a dial face of rectangular configuration and with the door shown in a closed position; FIGS. 2, 3, and 5 through 11 being the same for this embodiment, respectively. The hour and minute hands and Roman numerals depicted by broken lines have been shown for the purpose of illustrating features of the concealment clock for a firearm that form no part of the claimed design.

**1 Claim, 11 Drawing Sheets**



(56)

**References Cited**

U.S. PATENT DOCUMENTS

D443,829 S \* 6/2001 Robinson ..... D10/1  
D462,276 S \* 9/2002 Hall et al. .... D10/2  
D601,041 S \* 9/2009 Yadon et al. .... D10/2  
D609,582 S \* 2/2010 Pennington ..... D10/2

D622,161 S \* 8/2010 Yen et al. .... D10/2  
D635,471 S \* 4/2011 Borders ..... D10/2  
8,096,702 B2 \* 1/2012 Grotell et al. .... 368/294  
D675,278 S \* 1/2013 Pennington ..... D22/108  
D680,295 S \* 4/2013 Pennington ..... D99/28

\* cited by examiner

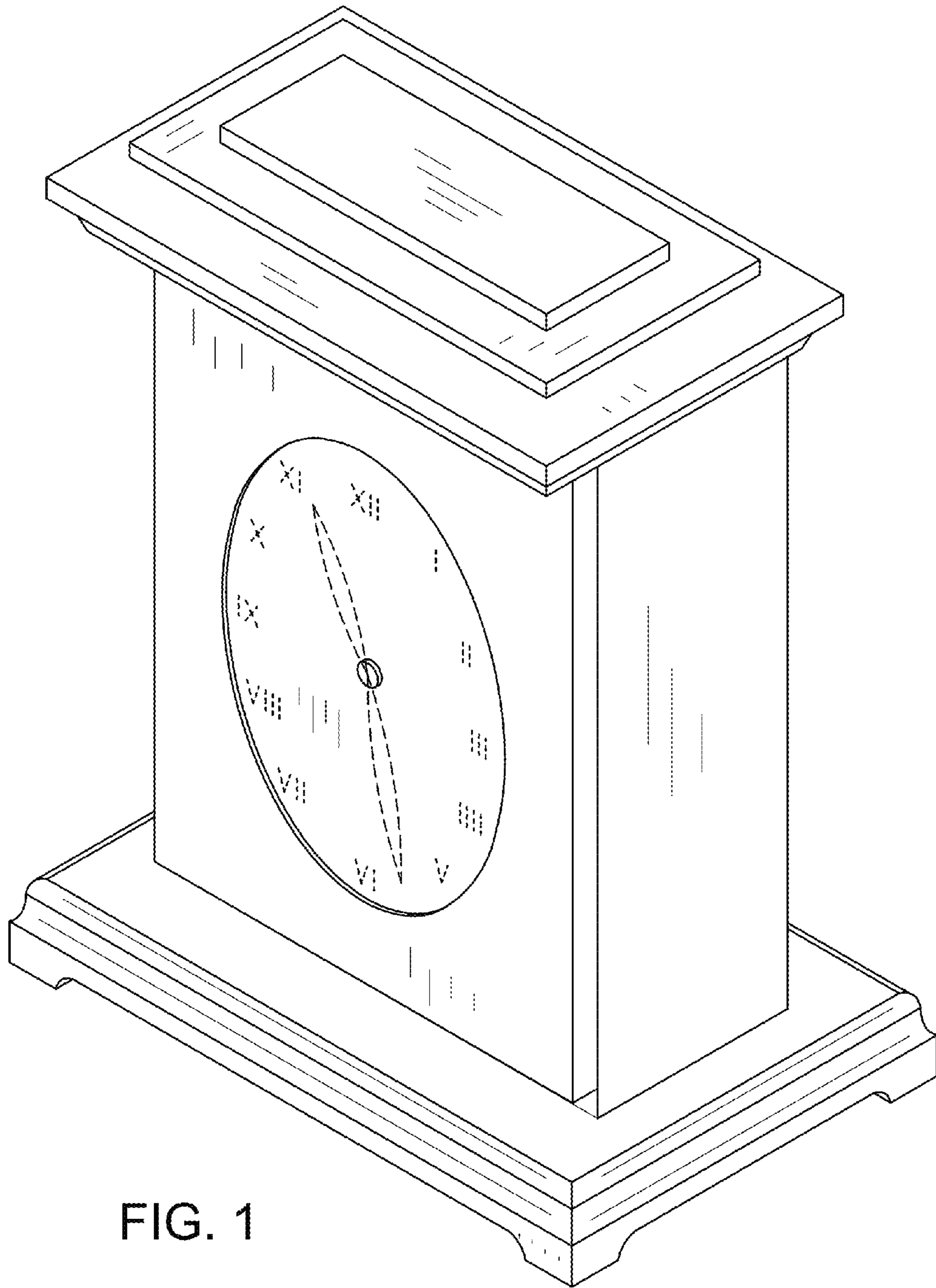


FIG. 1

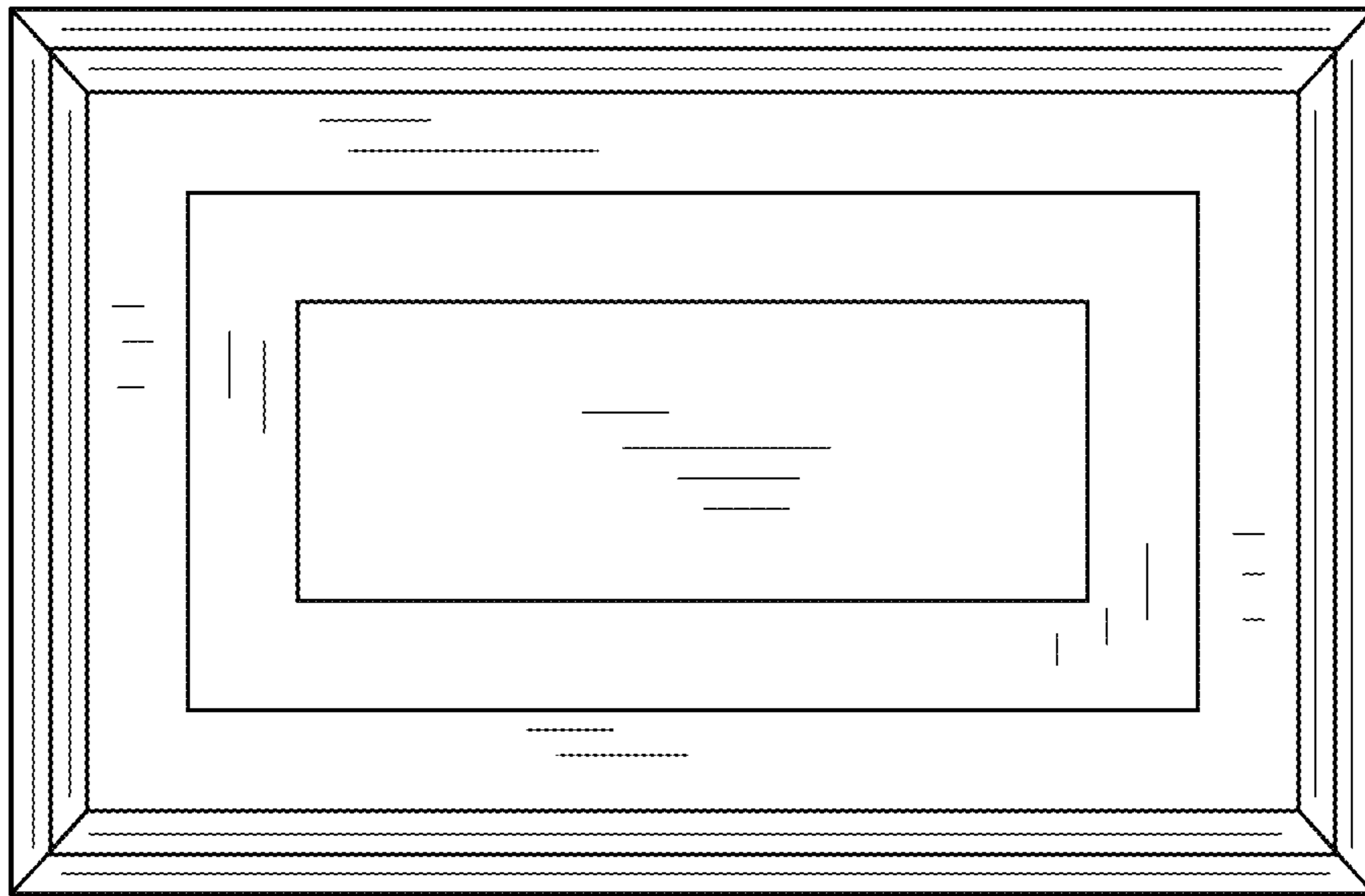


FIG. 2

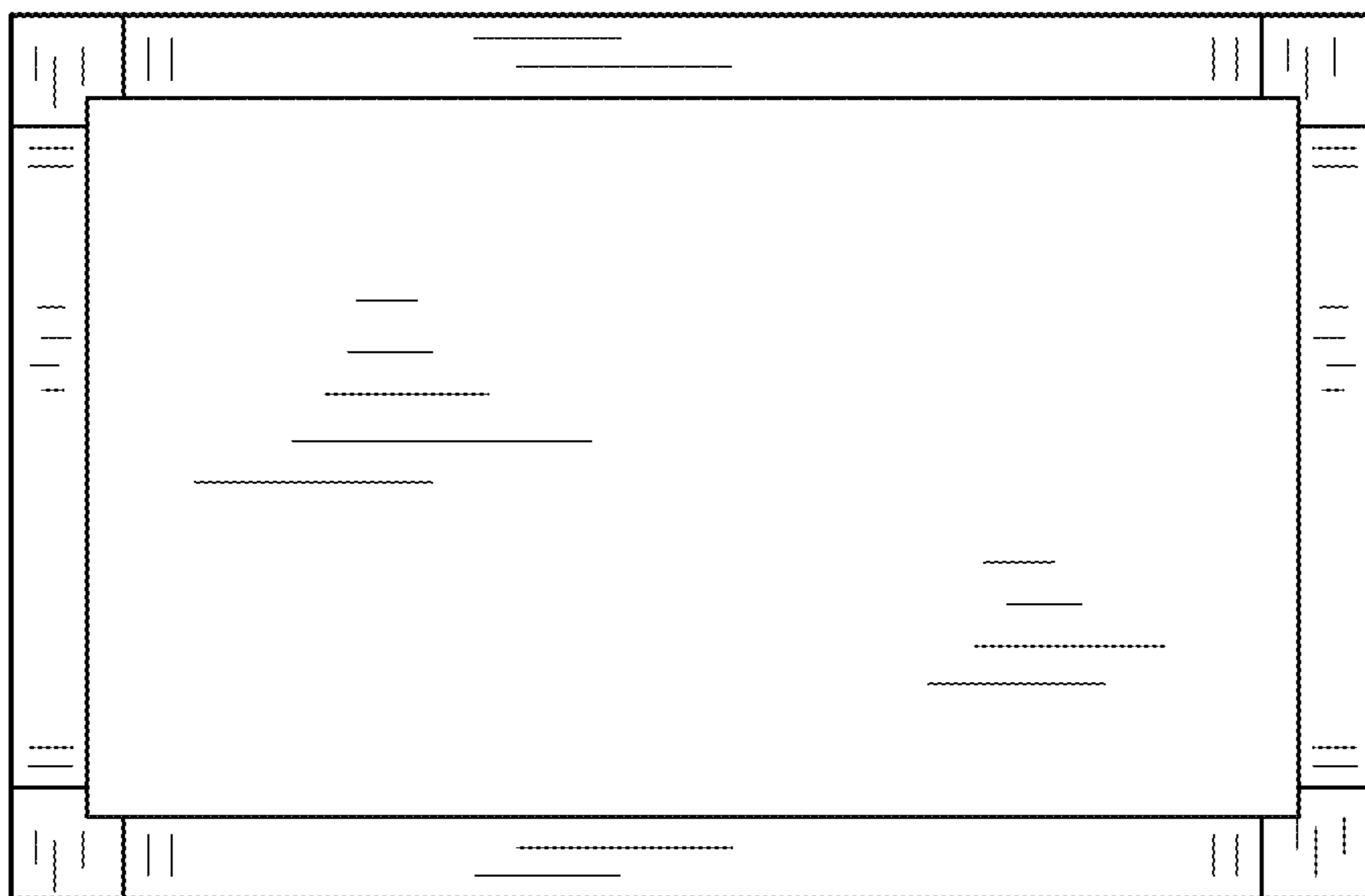


FIG. 3

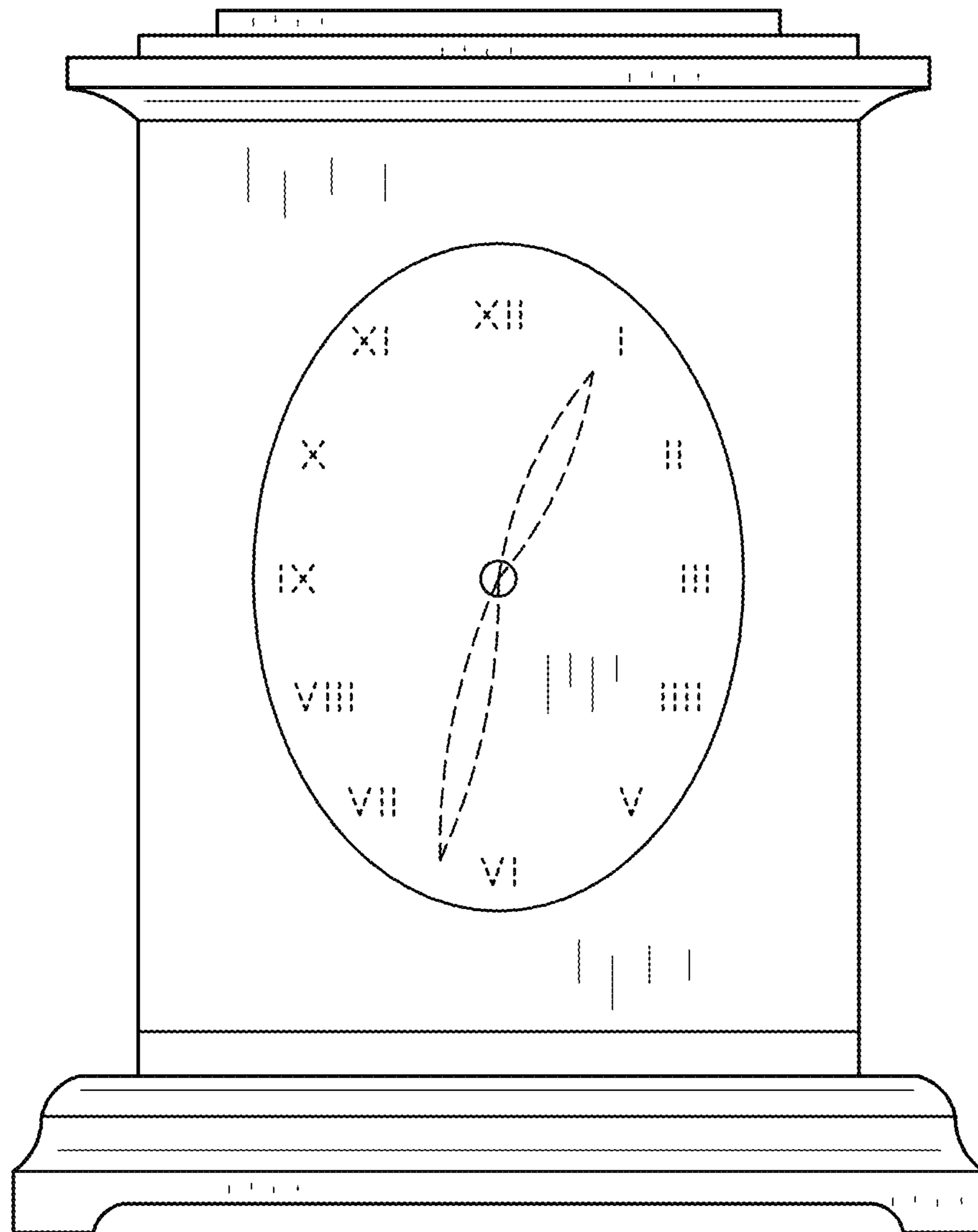


FIG. 4

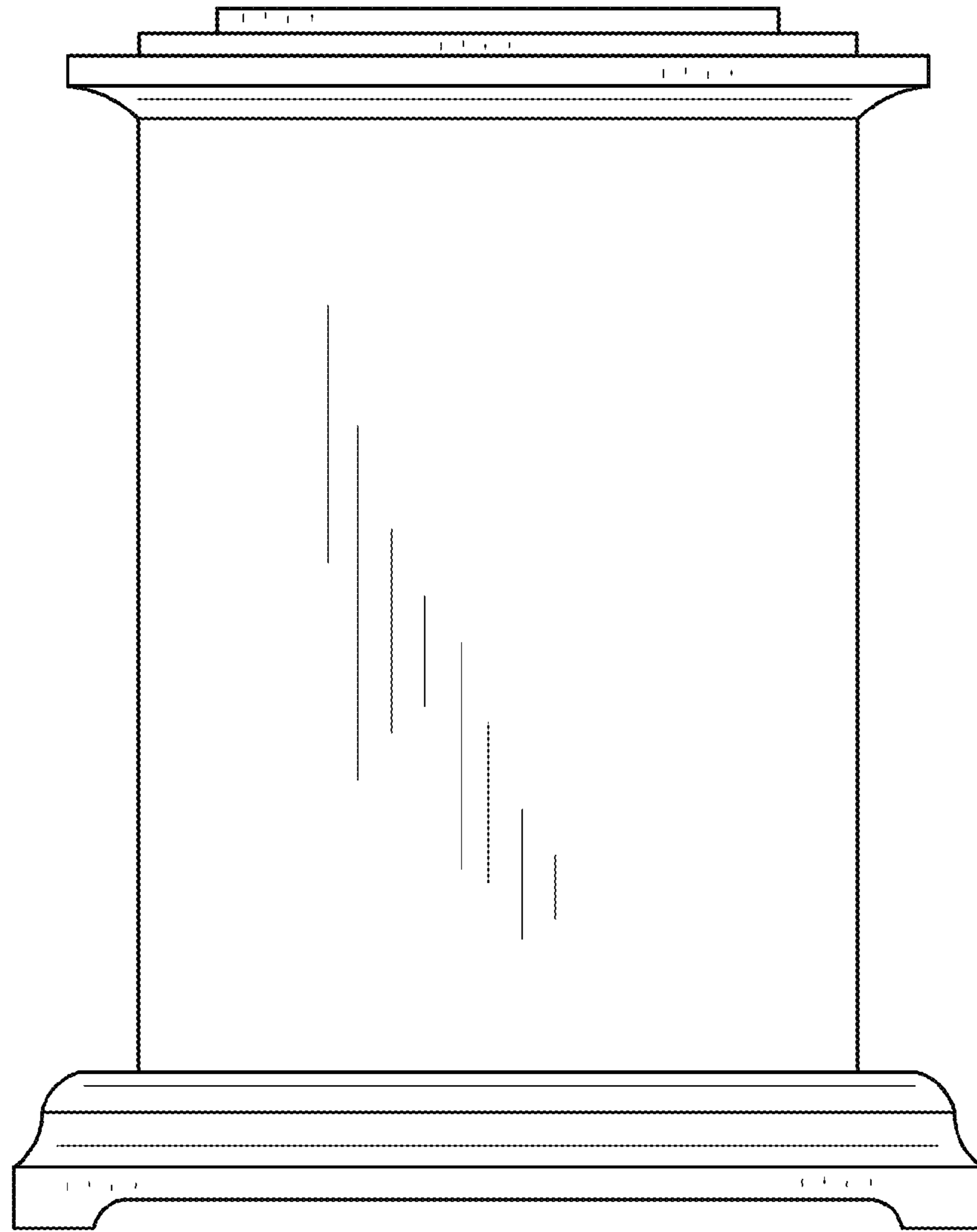


FIG. 5

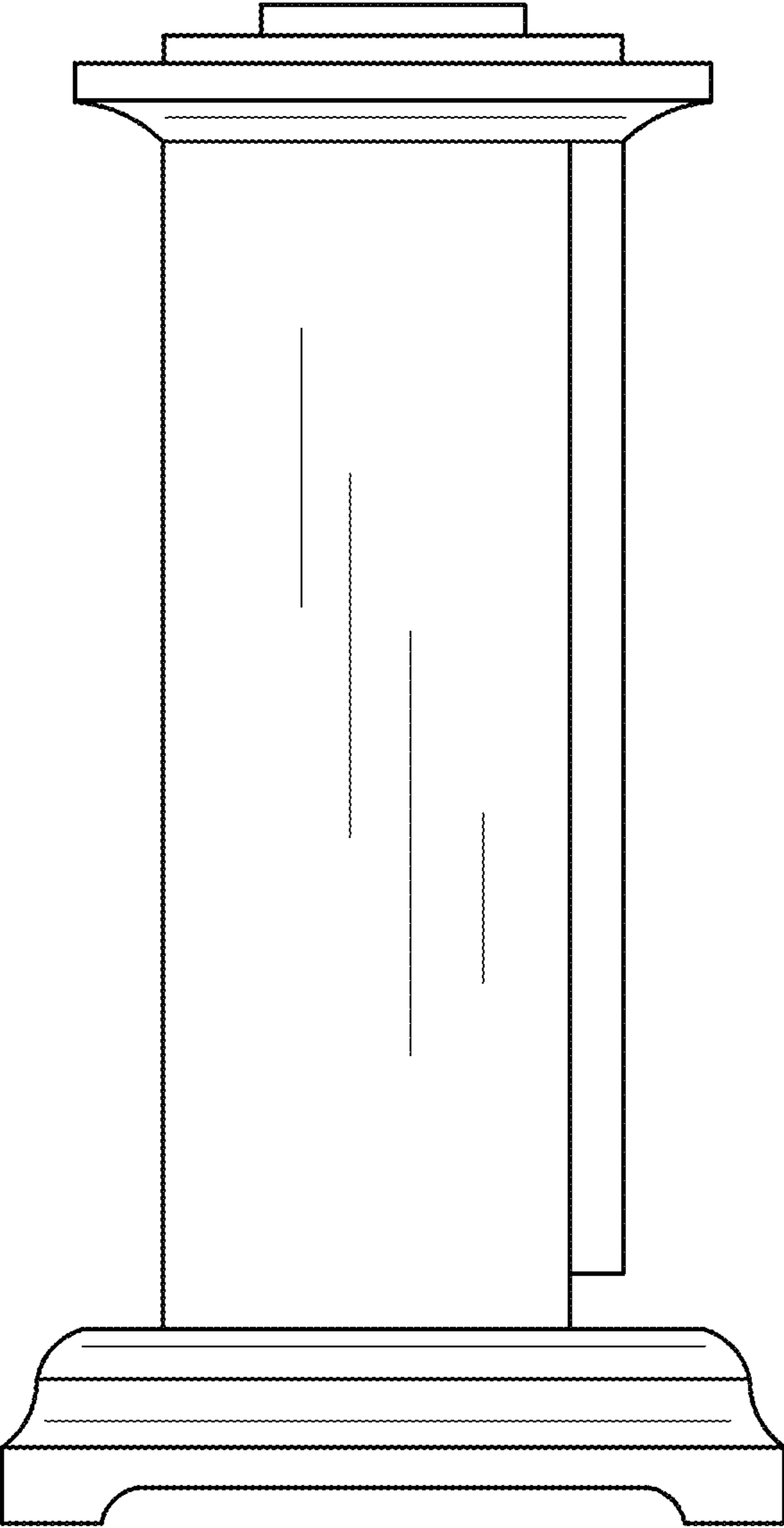


FIG. 6

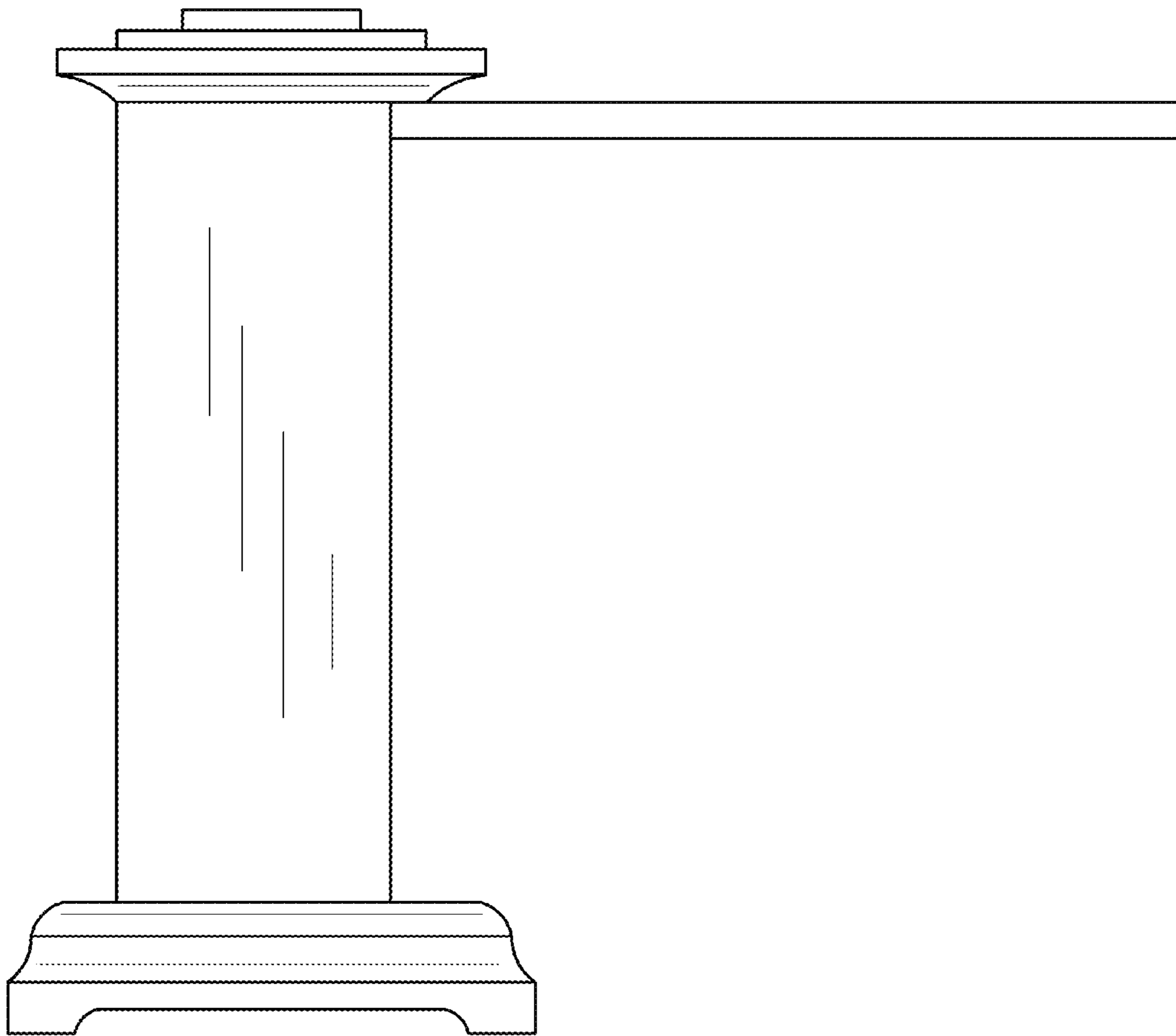


FIG. 7



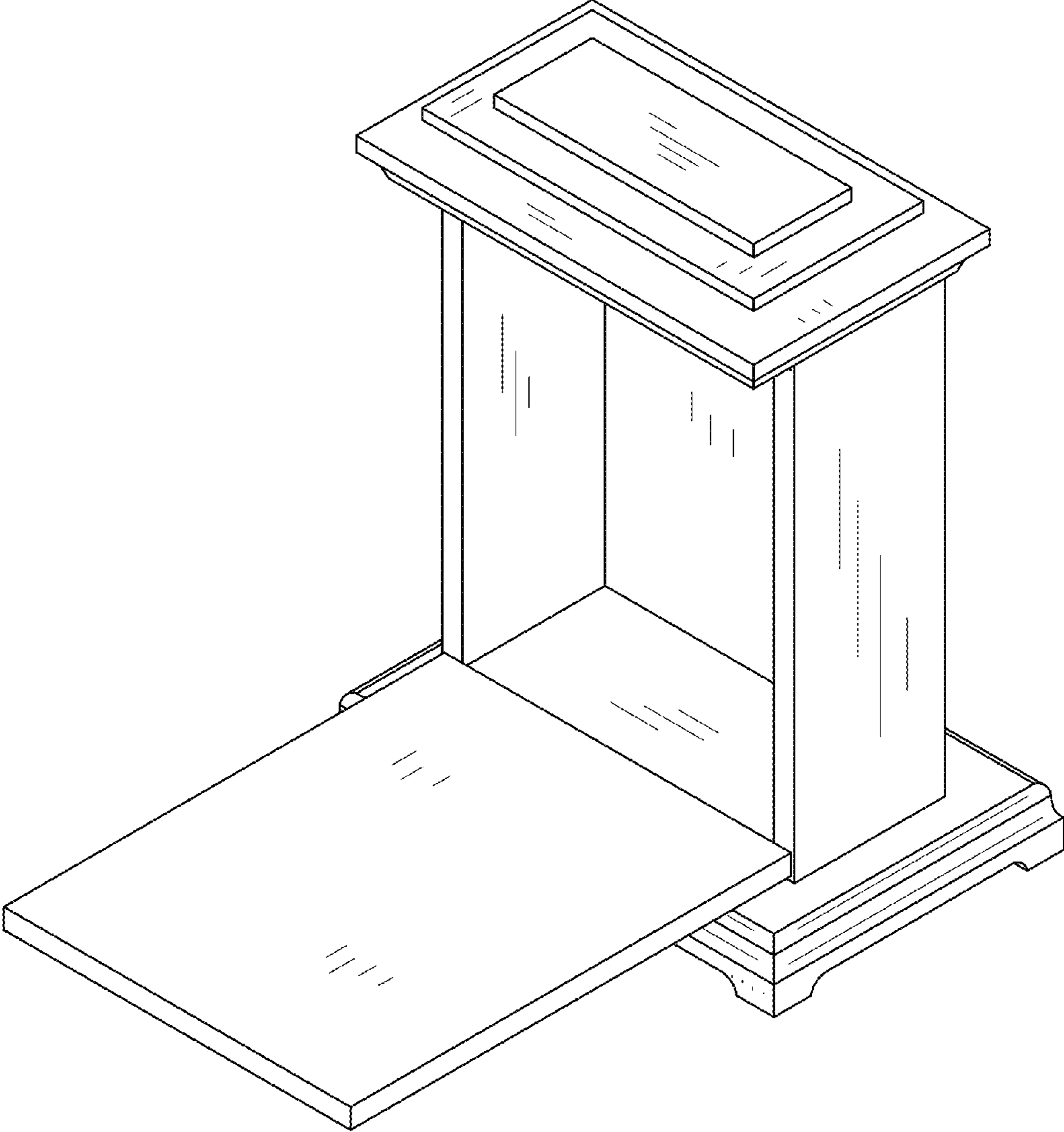


FIG. 8

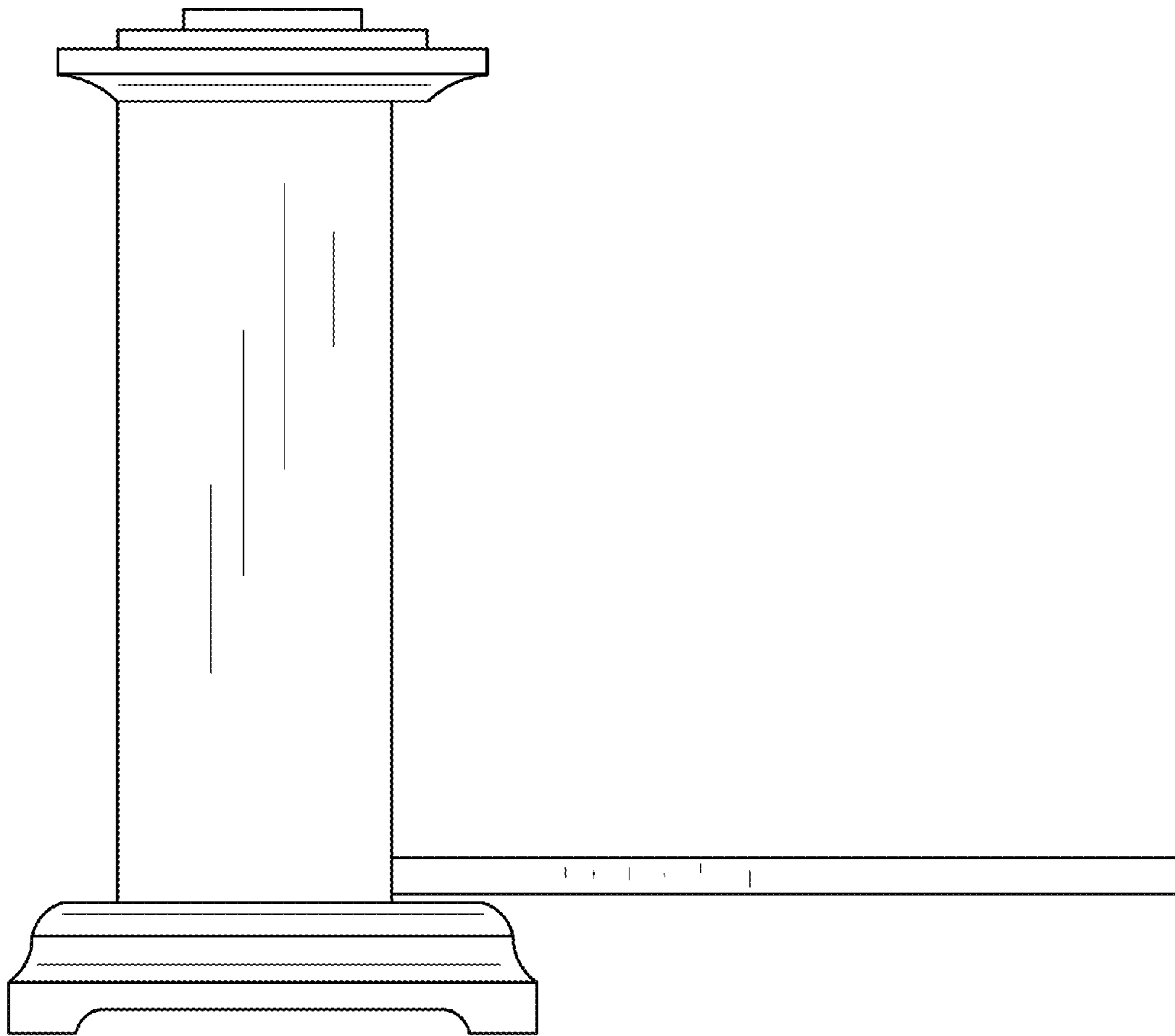


FIG. 9

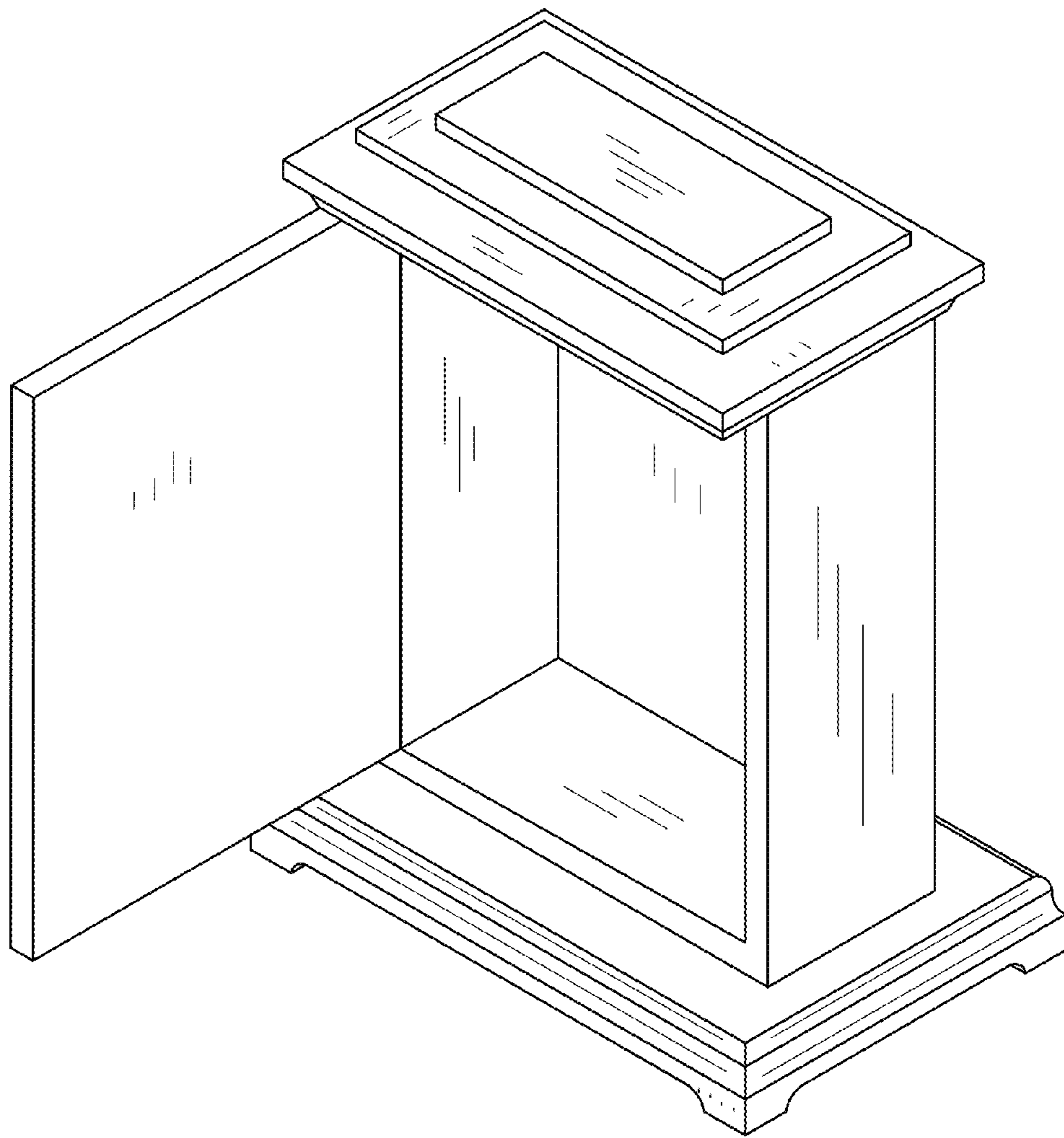


FIG. 10

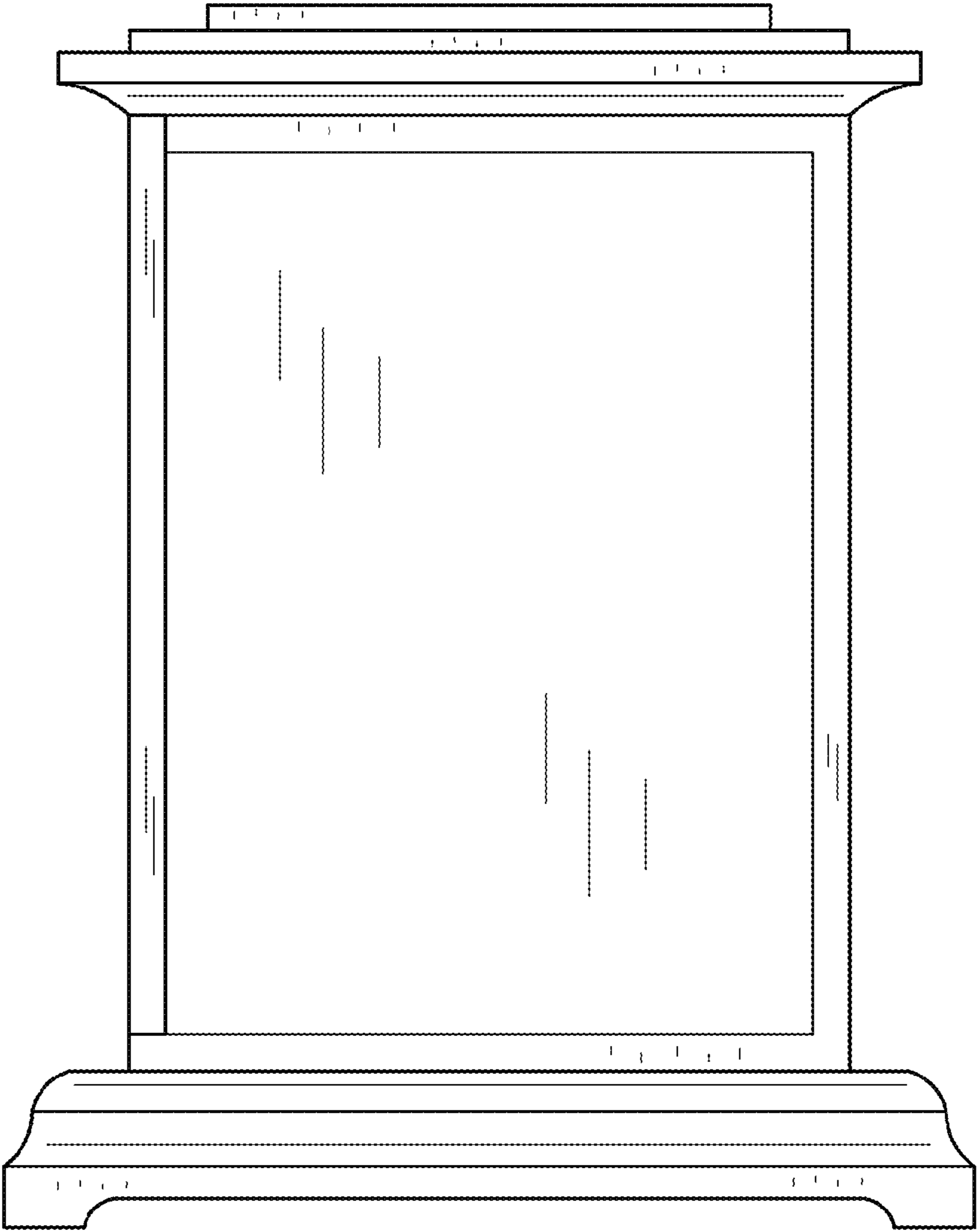


FIG. 11

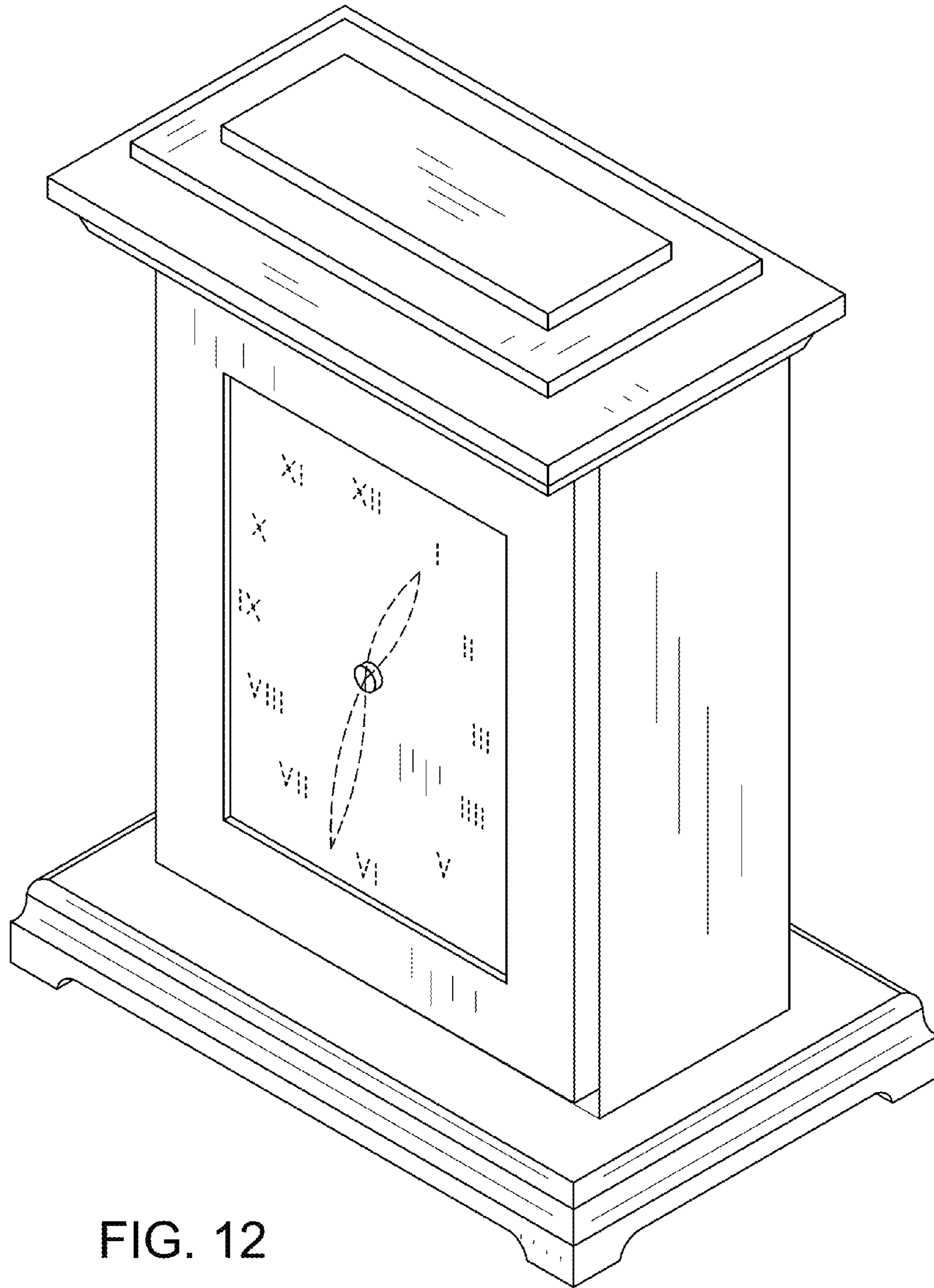


FIG. 12