



US00D865153S

(12) **United States Design Patent** (10) **Patent No.:** **US D865,153 S**  
**Takagaki et al.** (45) **Date of Patent:** **\*\* Oct. 29, 2019**

(54) **VENTILATING FAN**  
(71) Applicant: **Panasonic Intellectual Property Management Co., Ltd., Osaka (JP)**  
(72) Inventors: **Keiji Takagaki, Osaka (JP); Nobuyuki Mase, Nara (JP)**  
(73) Assignee: **Panasonic Intellectual Property Management Co., Ltd., Osaka (JP)**  
(\*\*) Term: **15 Years**  
(21) Appl. No.: **29/588,429**  
(22) Filed: **Dec. 20, 2016**  
(51) **LOC (12) Cl.** ..... **23-04**  
(52) **U.S. Cl.**  
USPC ..... **D23/385**  
(58) **Field of Classification Search**  
USPC ..... D23/370, 371, 377-379, 381, 382,  
D23/385-388, 411, 412; D26/59;  
D14/219, 210, 221, 214  
CPC .... F04D 25/088; F04D 29/005; F04D 29/601;  
F04D 29/324; F21V 33/0096; F21V  
33/0092; F24F 13/078  
See application file for complete search history.

(56) **References Cited**  
U.S. PATENT DOCUMENTS  
D401,682 S \* 11/1998 Galeazzi ..... D23/351  
D416,315 S \* 11/1999 Nanjo ..... D23/351  
D426,292 S \* 6/2000 Nanjo ..... D23/351  
D448,462 S \* 9/2001 Nanjo ..... D23/351  
D510,996 S \* 10/2005 Vladika ..... D23/385  
D541,927 S 5/2007 Yamanaka et al.  
D577,431 S \* 9/2008 Miyake ..... D23/385  
D581,508 S \* 11/2008 Miyake ..... D23/371  
D584,393 S \* 1/2009 Miyake ..... D23/370  
D584,394 S \* 1/2009 Miyake ..... D23/370  
D595,402 S \* 6/2009 Miyake ..... D23/385

D617,441 S \* 6/2010 Koury ..... D23/385  
D617,889 S \* 6/2010 Miyake ..... D23/385  
D713,951 S \* 9/2014 Jepson ..... D23/388  
D724,715 S \* 3/2015 Isshiki ..... D23/351  
9,097,265 B1 \* 8/2015 Tom ..... F04D 29/626  
D771,231 S \* 11/2016 Chen ..... D23/388  
D778,424 S \* 2/2017 Jonas ..... D23/388  
D779,050 S \* 2/2017 Jonas ..... D23/388  
9,609,407 B2 \* 3/2017 Berkman ..... H04R 1/021  
D784,511 S \* 4/2017 Jonas ..... D23/388  
D784,512 S \* 4/2017 Jonas ..... D23/388  
D799,677 S \* 10/2017 Jonas ..... D23/385  
D799,678 S \* 10/2017 Jonas ..... D23/385  
D799,679 S \* 10/2017 Jonas ..... D23/385  
D799,686 S \* 10/2017 Liu ..... D23/412  
D800,294 S \* 10/2017 Jonas ..... D23/385

(Continued)

*Primary Examiner* — Janice Hallmark  
(74) *Attorney, Agent, or Firm* — Panasonic IP Management; Kerry S. Culpepper

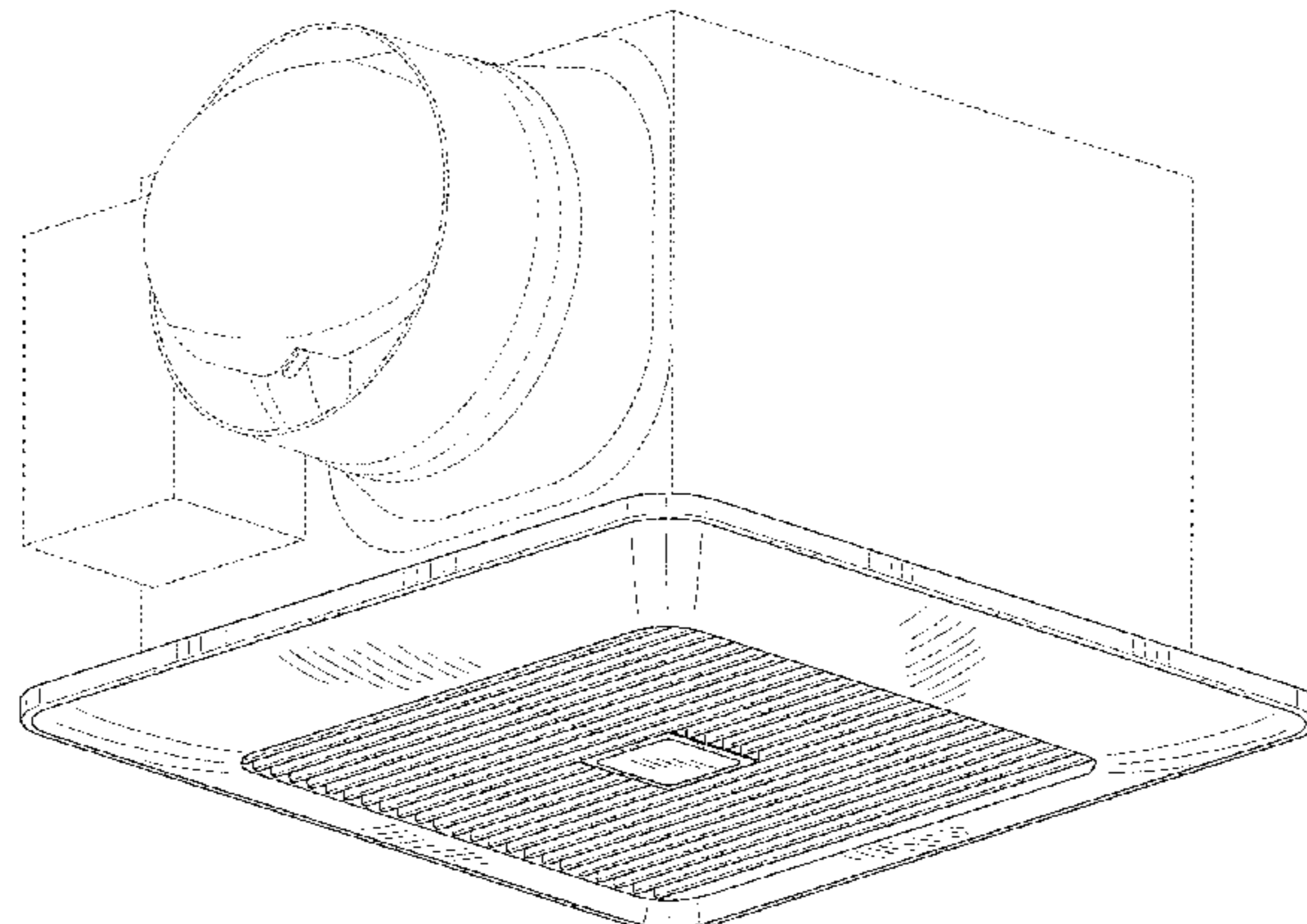
(57) **CLAIM**

We claim the ornamental design for a ventilating fan, as shown and described.

**DESCRIPTION**

FIG. 1 is a front perspective view of a ventilating fan of the present invention;  
FIG. 2 is a front view thereof;  
FIG. 3 is a rear view thereof;  
FIG. 4 is a first side view thereof;  
FIG. 5 is a second side view thereof;  
FIG. 6 is a top view thereof;  
FIG. 7 is a bottom view thereof;  
FIG. 8 is a cross-sectional view taken along the line 8-8 in FIG. 2 with the internal parts being omitted; and,  
FIG. 9 is an enlarged view between 9-9 in FIG. 8 thereof.  
The broken line showing of ventilating fan is included for the purpose of illustrating environment and forms no part of the claimed design.

**1 Claim, 9 Drawing Sheets**



(56)

**References Cited**

U.S. PATENT DOCUMENTS

D800,295 S *	10/2017	Jonas	.....	D23/385
D800,892 S *	10/2017	Jonas	.....	D23/385
D808,001 S *	1/2018	Berkman	.....	D23/371
D812,733 S *	3/2018	Schanzenbach	.....	D23/371
D815,724 S *	4/2018	Jonas	.....	D23/385
D816,206 S *	4/2018	Jonas	.....	D23/385
D826,392 S *	8/2018	Sinur	.....	D23/372
D838,829 S *	1/2019	Puffer	.....	D23/370
D838,830 S *	1/2019	Puffer	.....	D23/370

\* cited by examiner

FIG. 1

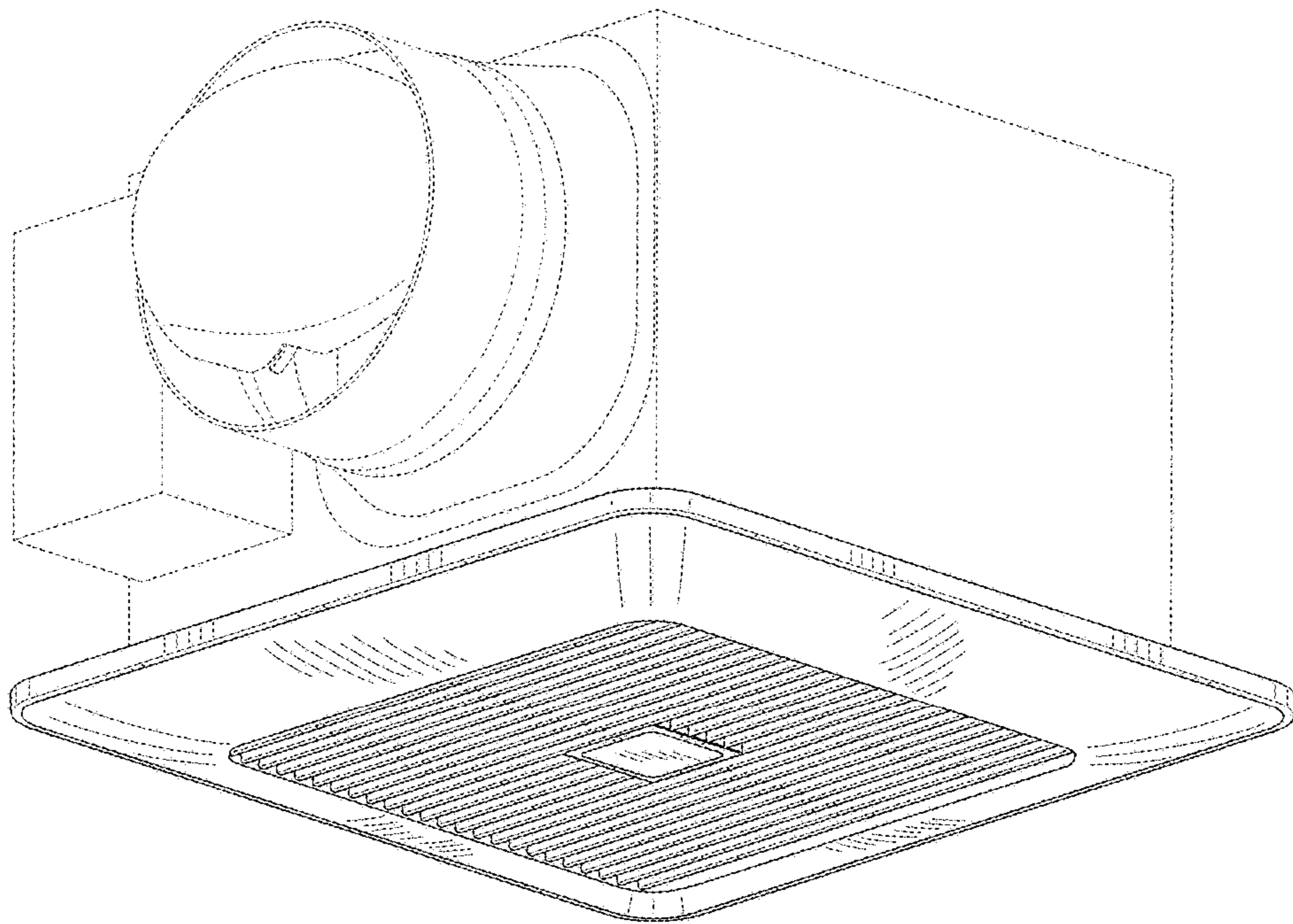


FIG. 2

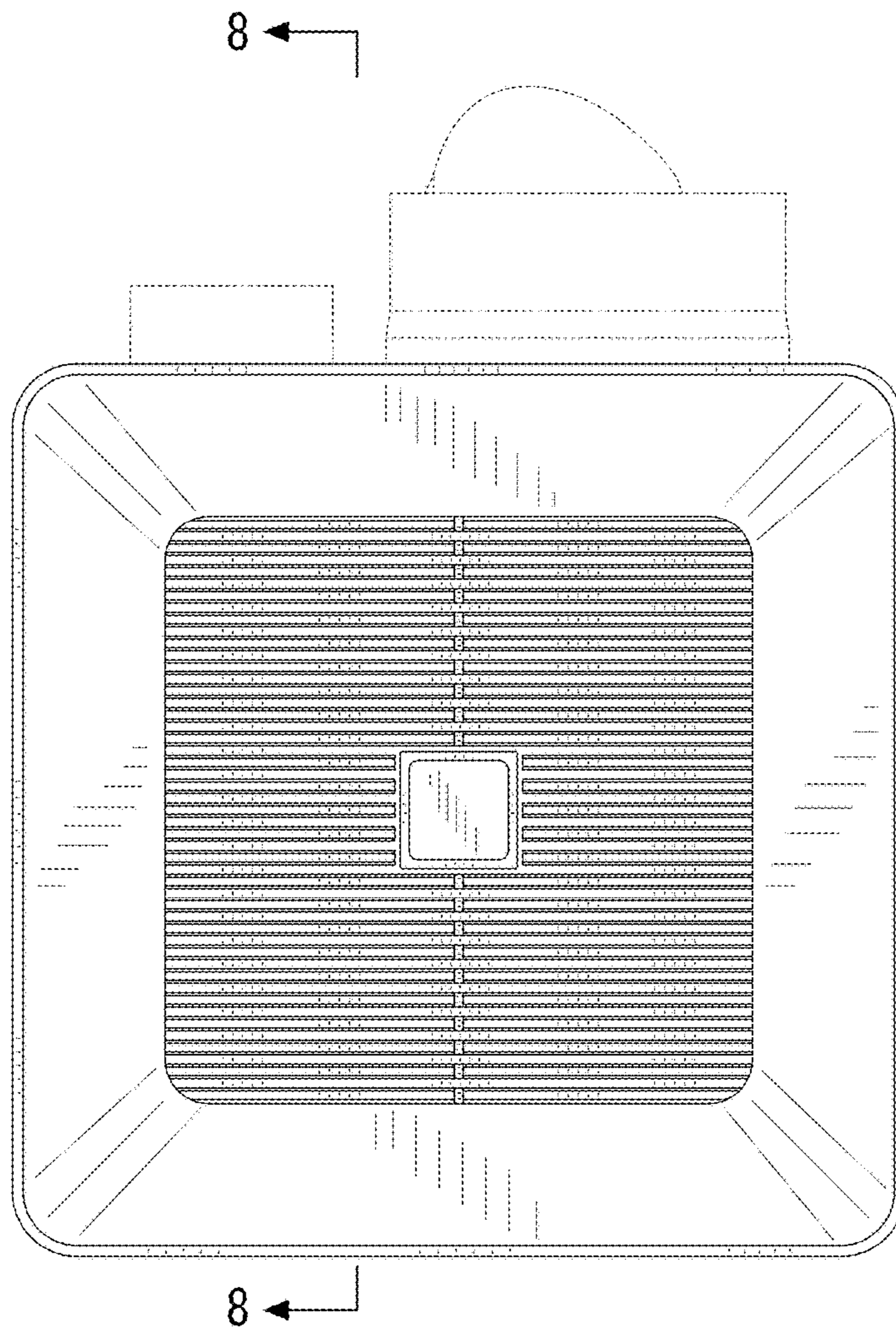


FIG. 3

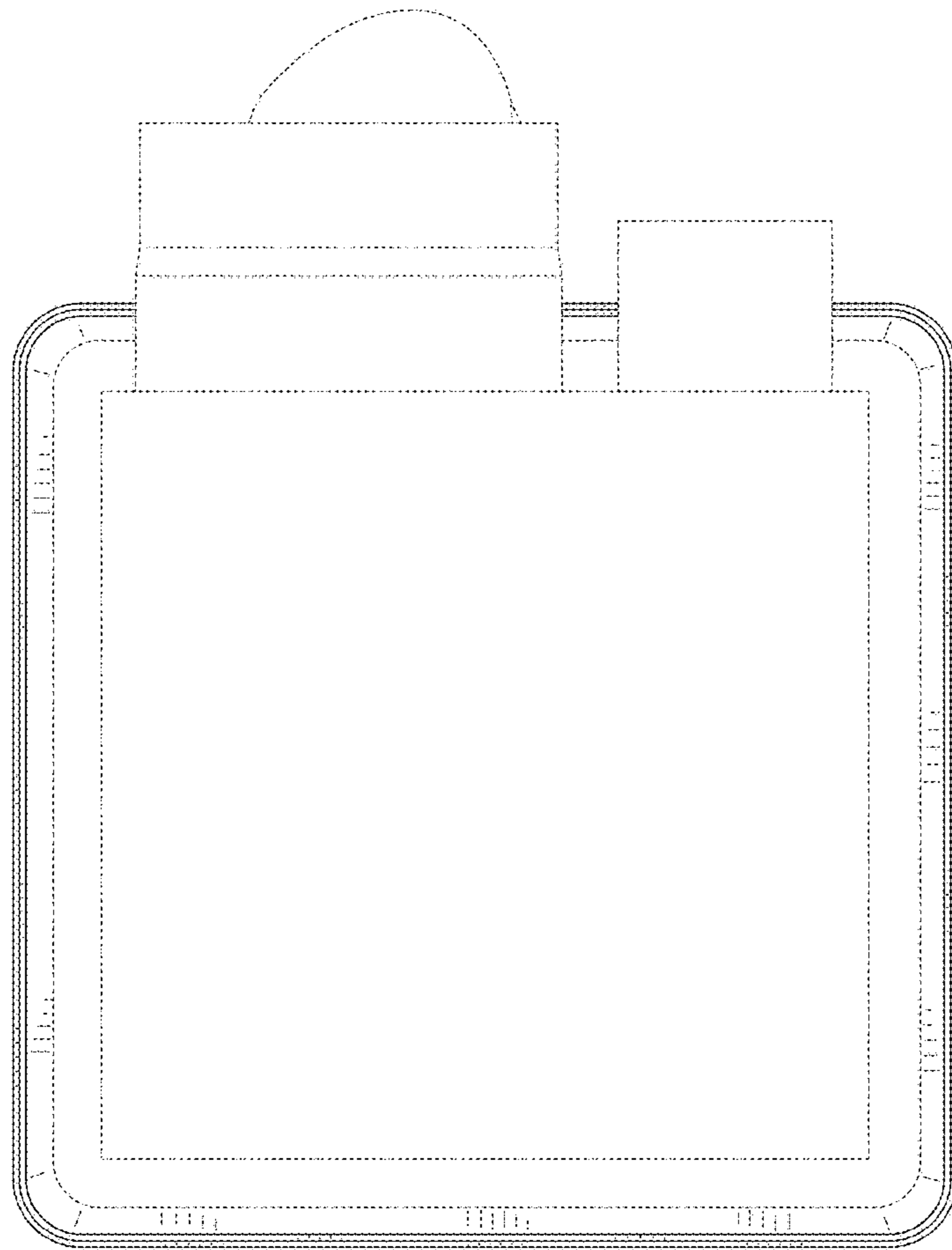


FIG. 4

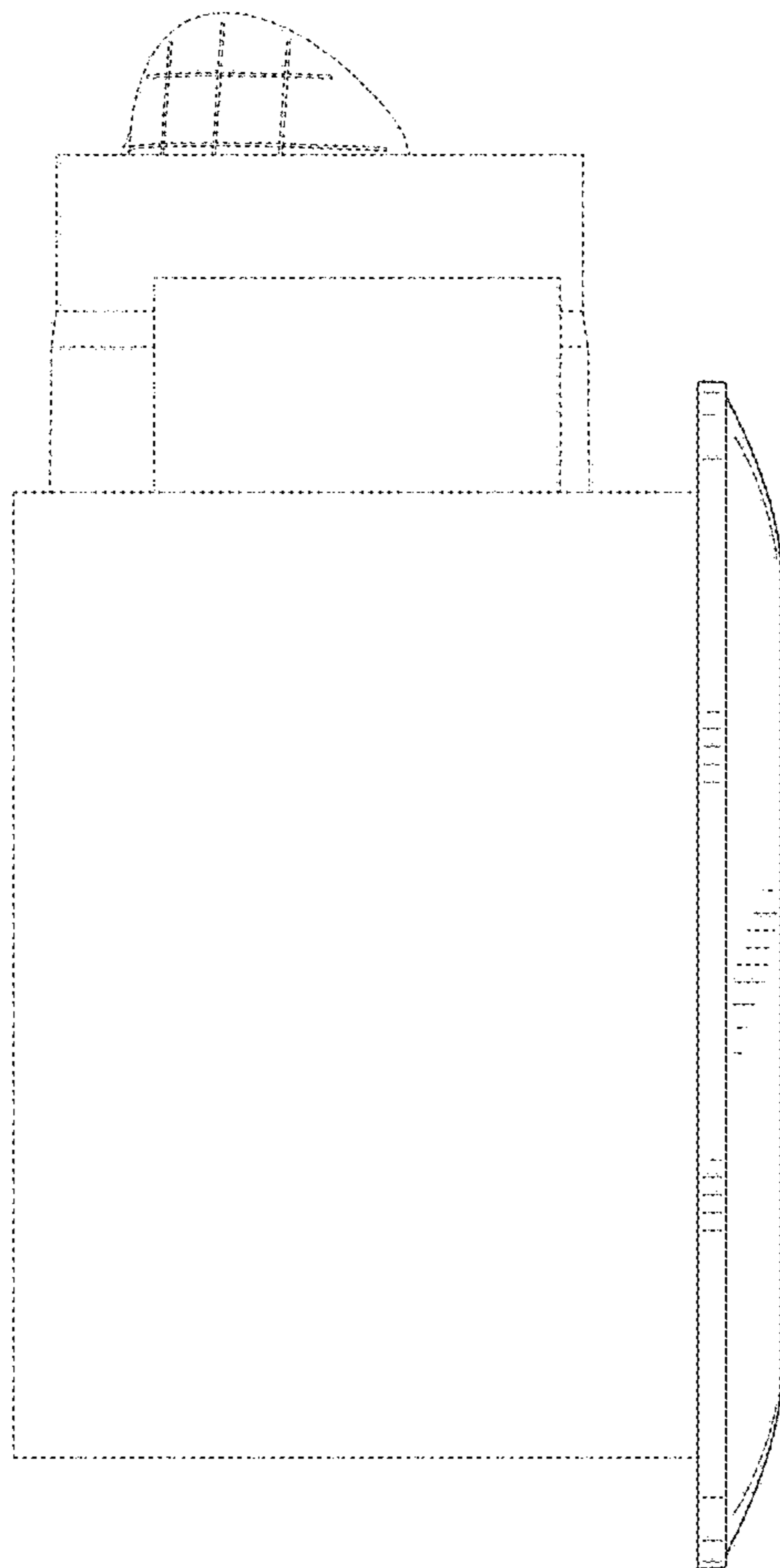


FIG. 5

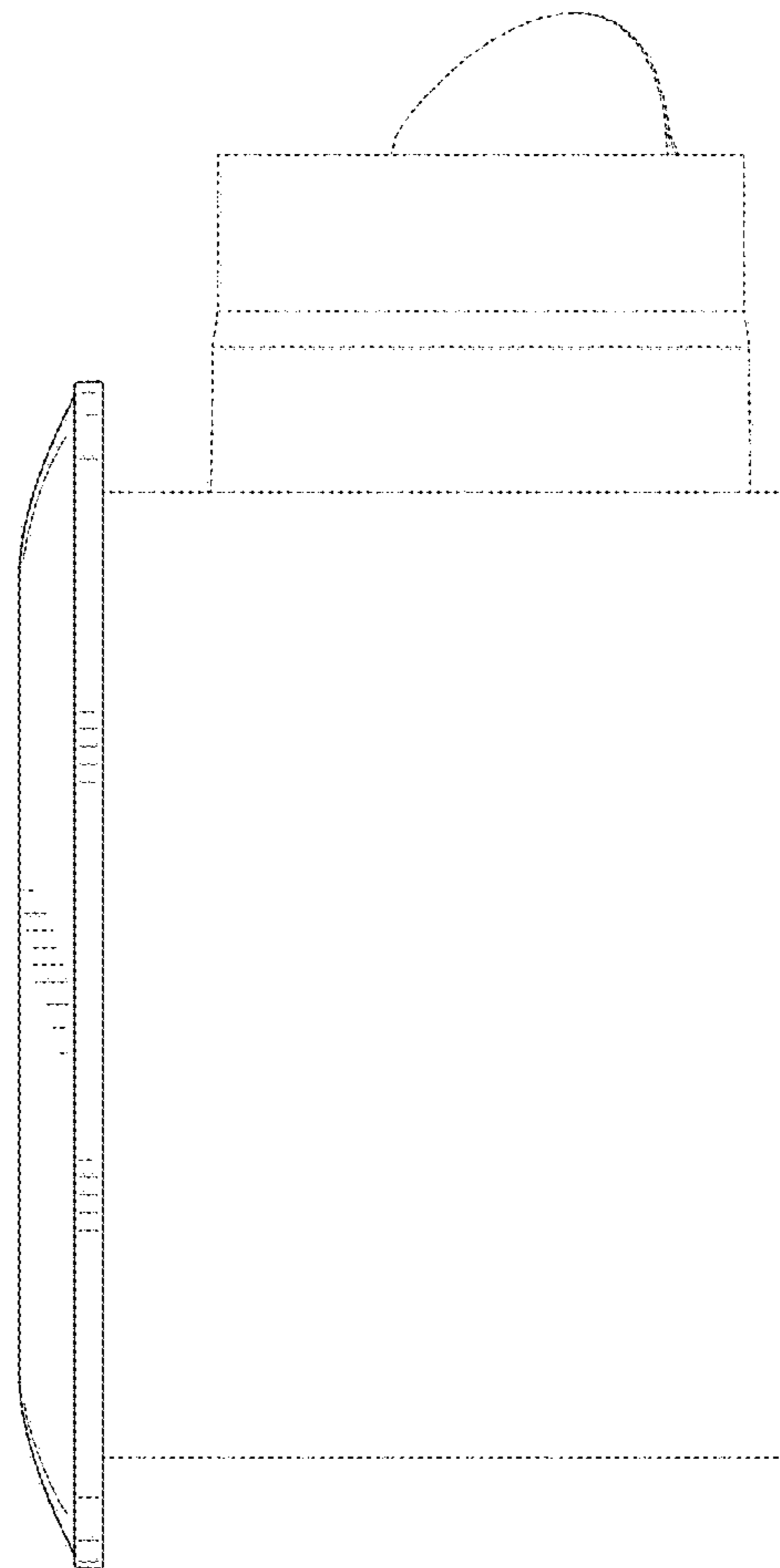


FIG. 6

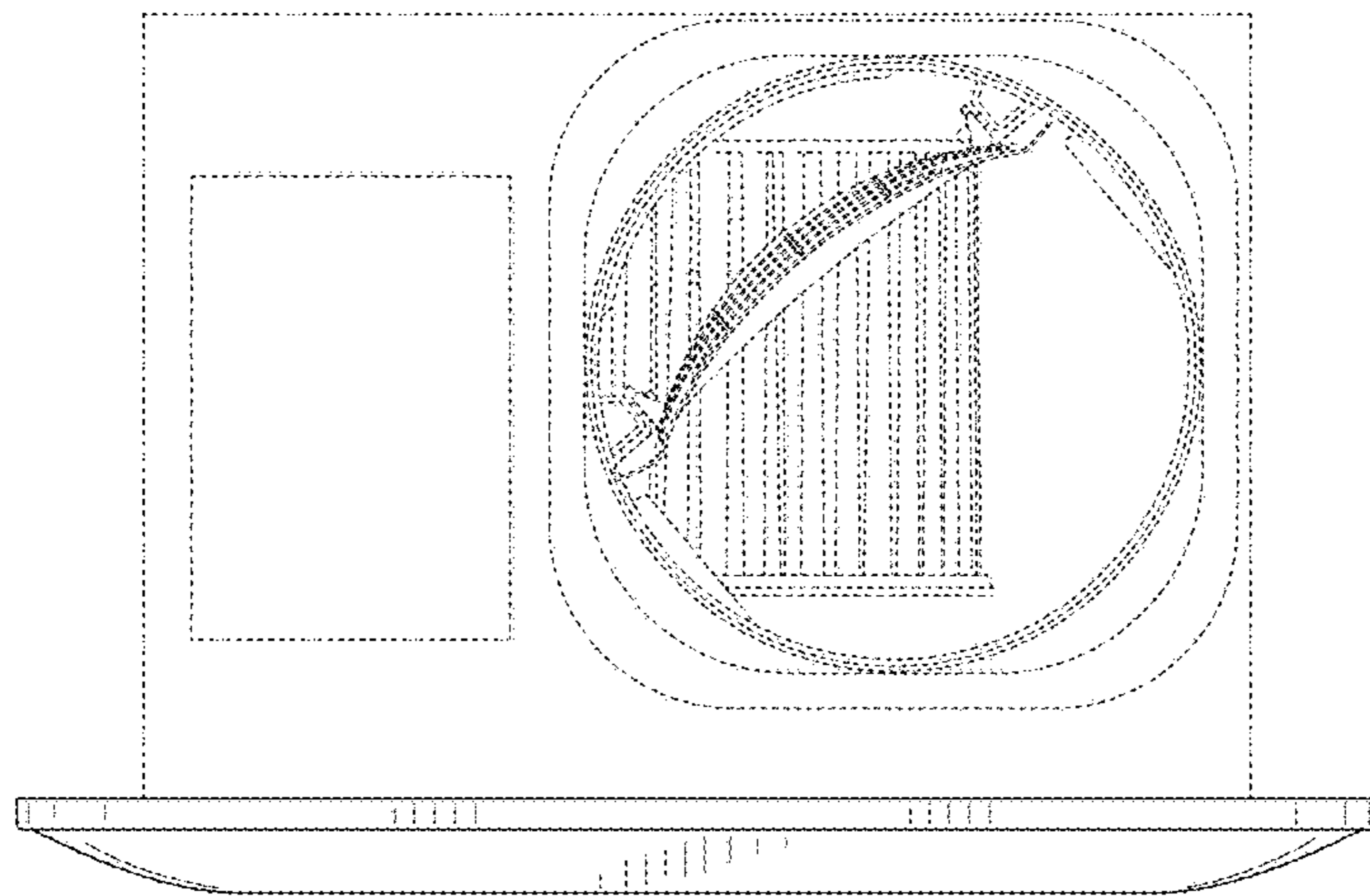




FIG. 7

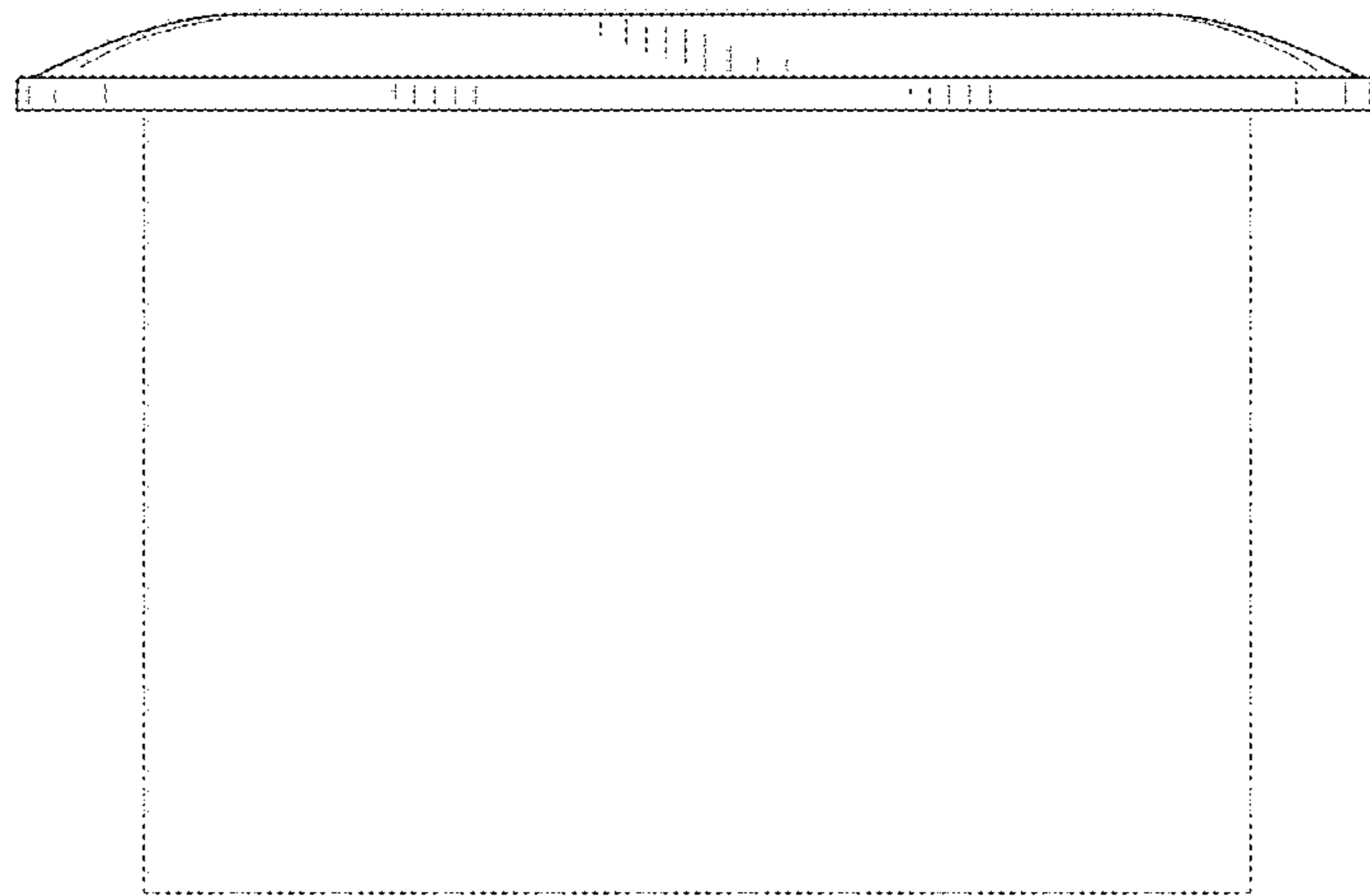


FIG. 8

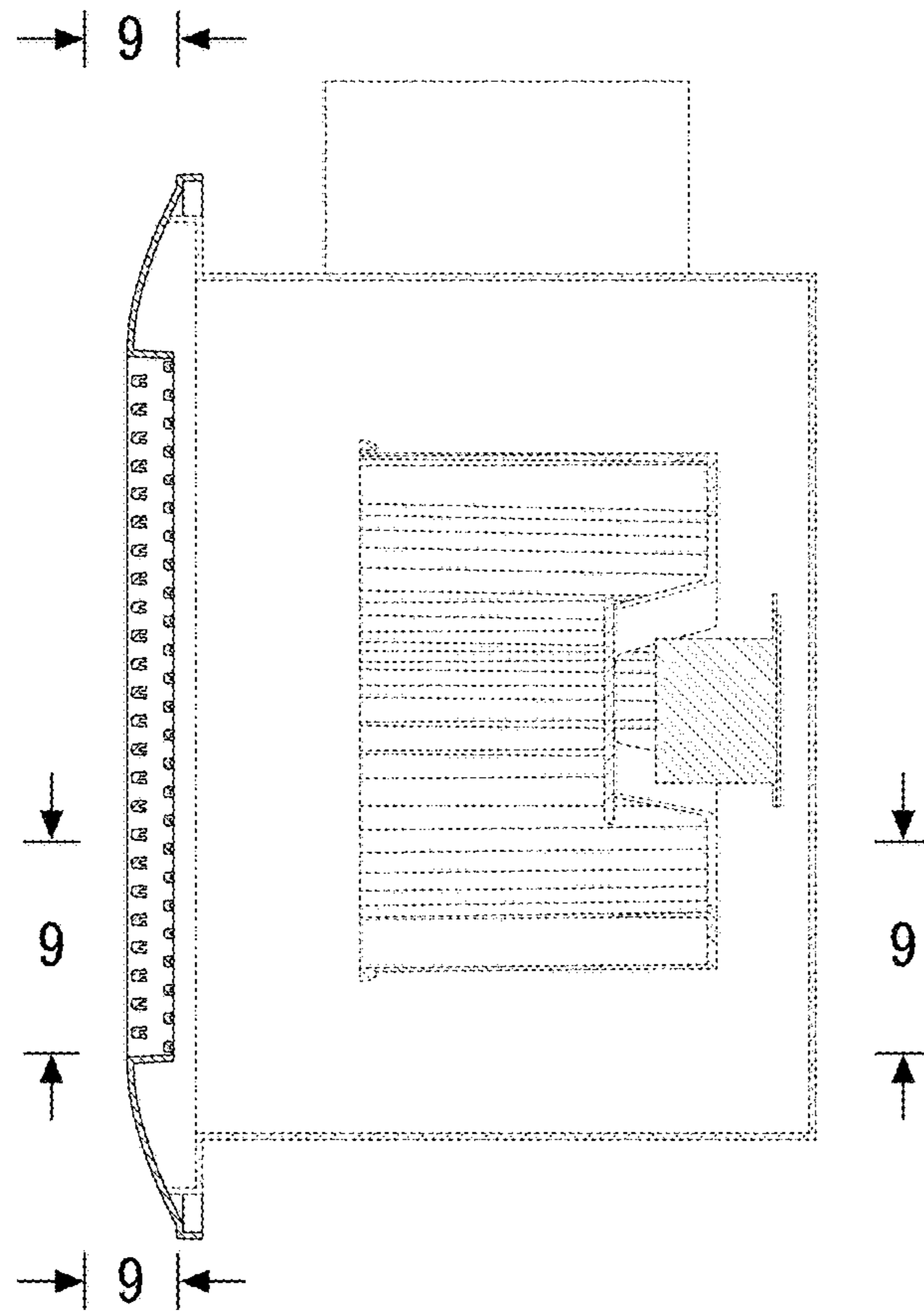


FIG. 9

