



US00D863365S

(12) **United States Design Patent**  
**LaGrande**

(10) **Patent No.:** **US D863,365 S**

(45) **Date of Patent:** **\*\* Oct. 15, 2019**

- (54) **A-STYLE ORCHARD FLOAT**
- (71) Applicant: **C. J. LaGrande**, Williams, CA (US)
- (72) Inventor: **C. J. LaGrande**, Williams, CA (US)
- (\*\*) Term: **15 Years**
- (21) Appl. No.: **29/662,760**
- (22) Filed: **Sep. 7, 2018**
- (51) **LOC (12) Cl.** ..... **15-03**
- (52) **U.S. Cl.**  
USPC ..... **D15/27; D15/32**
- (58) **Field of Classification Search**  
USPC ..... D15/11, 10, 22-28; 171/19, 28;  
172/195-199, 439, 445.1; 404/118  
CPC ..... A01B 31/00; E02F 3/76; E02F 3/7622;  
E02F 3/7604  
See application file for complete search history.

- 5,024,280 A \* 6/1991 Mork ..... A01B 31/00  
172/149
- 5,191,943 A \* 3/1993 Minor ..... A01B 31/00  
172/393
- 5,332,331 A \* 7/1994 Critz ..... E01C 19/15  
172/393
- 5,397,200 A \* 3/1995 Seal ..... E02F 3/7627  
172/393
- D357,483 S \* 4/1995 Ramsey ..... D15/32
- D358,401 S \* 5/1995 Devaney ..... D15/11
- 5,427,185 A \* 6/1995 Seal ..... E02F 3/7627  
172/197
- 5,511,625 A \* 4/1996 Mork ..... A01B 31/00  
172/445.1
- 5,515,625 A \* 5/1996 Keigley ..... E02F 3/815  
172/253
- 6,283,225 B1 \* 9/2001 Hermonson ..... E02F 3/3414  
172/817

(Continued)

*Primary Examiner* — Mark A Goodwin

(74) *Attorney, Agent, or Firm* — Craig A. Simmermon

(57) **CLAIM**

I claim the ornamental design for an A-style orchard float, as shown and described.

**DESCRIPTION**

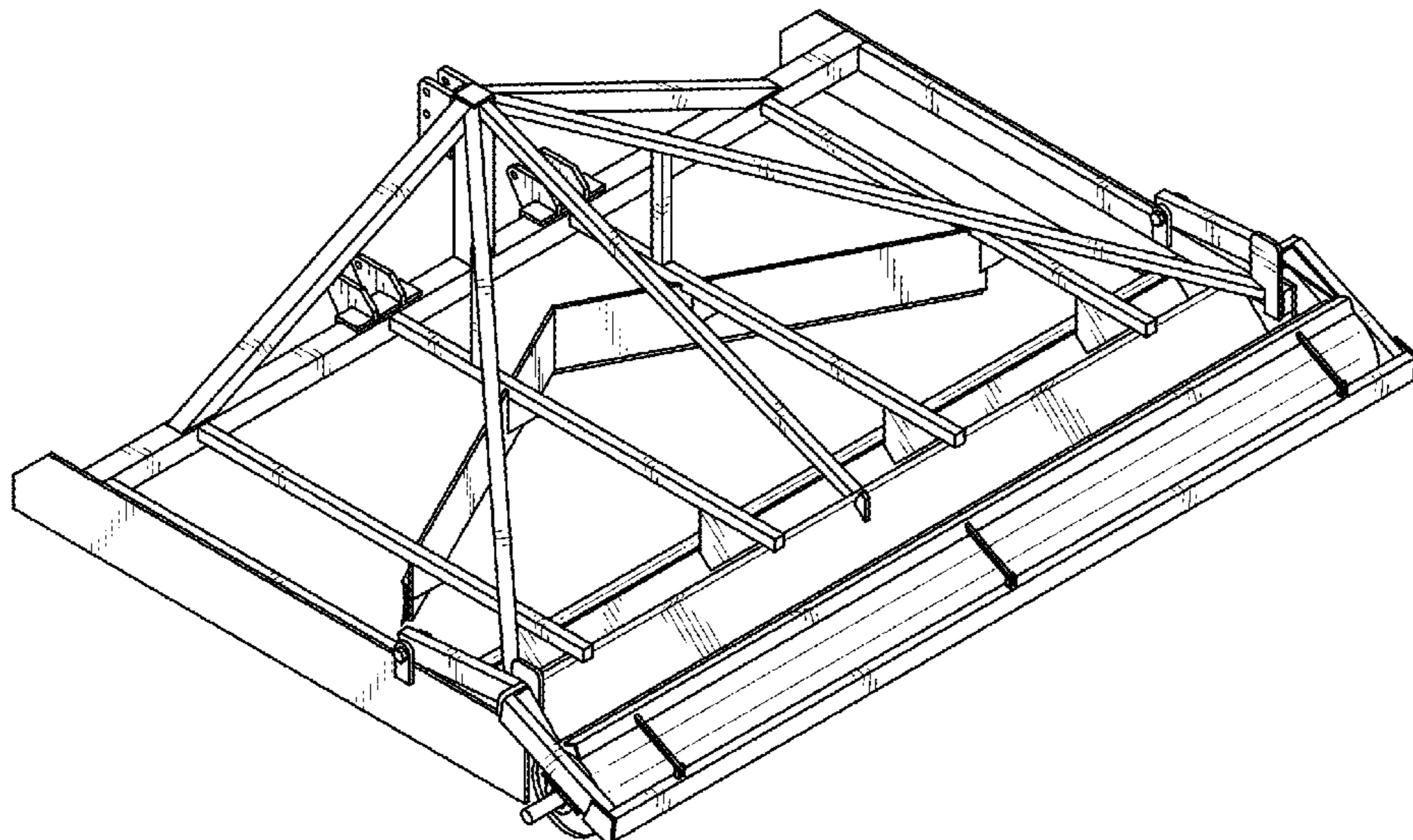
FIG. 1 is a perspective view of an A-style orchard float showing my new design;  
 FIG. 2 is another perspective view thereof;  
 FIG. 3 is a top plan view thereof defining cross sectional plane 9-9;  
 FIG. 4 is a bottom plan view thereof;  
 FIG. 5 is a right side elevation view thereof;  
 FIG. 6 is a left side elevation view thereof;  
 FIG. 7 is a rear elevation view thereof; and  
 FIG. 8 is a front elevation view thereof; and,  
 FIG. 9 is a cross sectional view taken from cross sectional plane 9-9 defined in FIG. 3.

**1 Claim, 6 Drawing Sheets**

(56) **References Cited**

**U.S. PATENT DOCUMENTS**

- 2,994,142 A \* 8/1961 Newell ..... E02F 3/7622  
172/188
- 3,122,209 A \* 2/1964 Crites ..... E02F 3/7604  
172/188
- 3,556,228 A \* 1/1971 Mork ..... A01B 31/00  
172/445.1
- 4,196,778 A \* 4/1980 Smith ..... A01B 31/00  
172/248
- 4,244,662 A \* 1/1981 Olson ..... E01H 4/02  
172/780
- 4,320,988 A \* 3/1982 Seal ..... E02F 3/7631  
172/393
- 4,418,759 A \* 12/1983 Mork ..... E02F 3/7622  
172/197
- 4,448,258 A \* 5/1984 Mork ..... A01B 31/00  
172/197
- 4,655,297 A \* 4/1987 Bourgeois, Jr. .... E02F 3/7622  
172/445.1



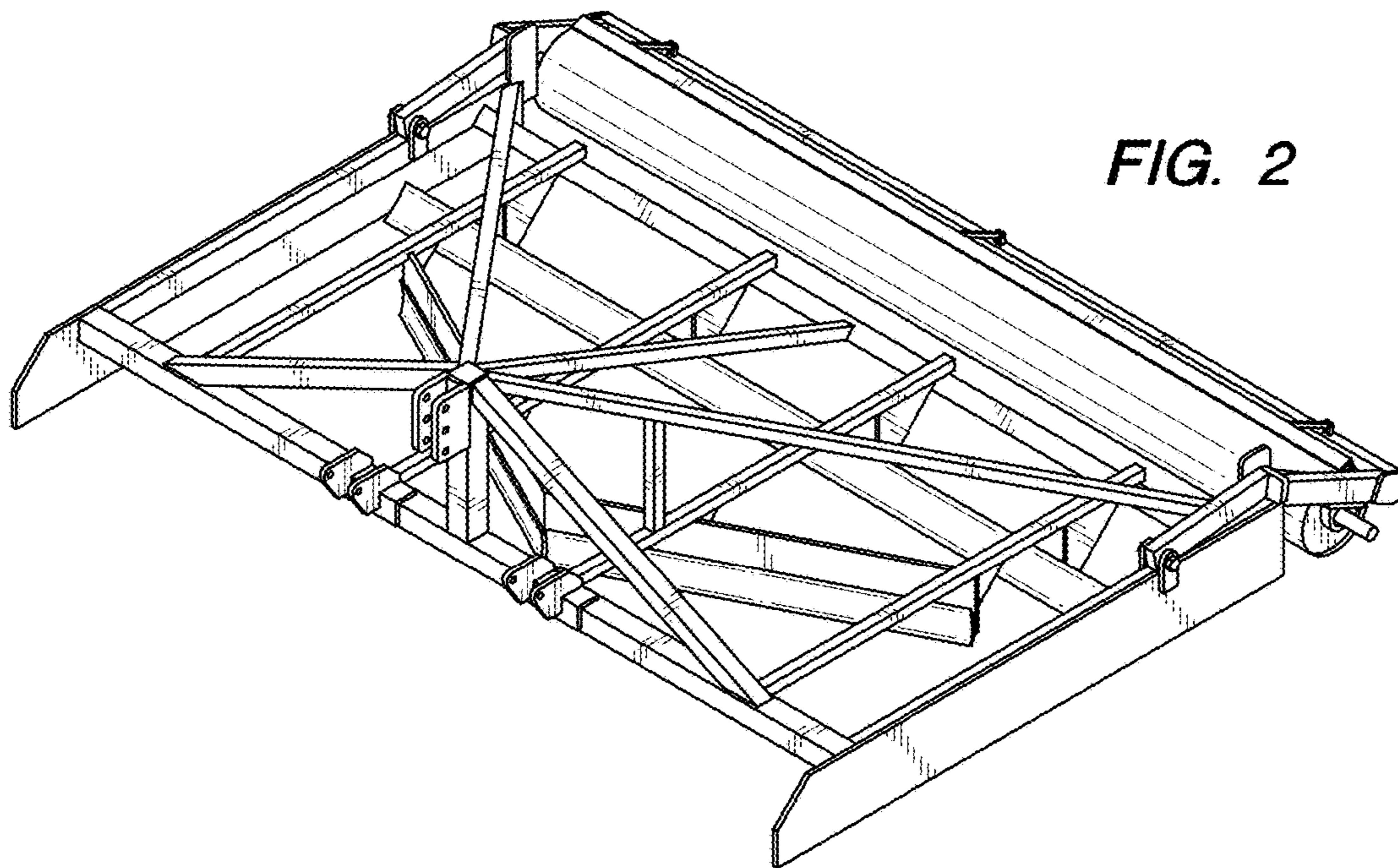
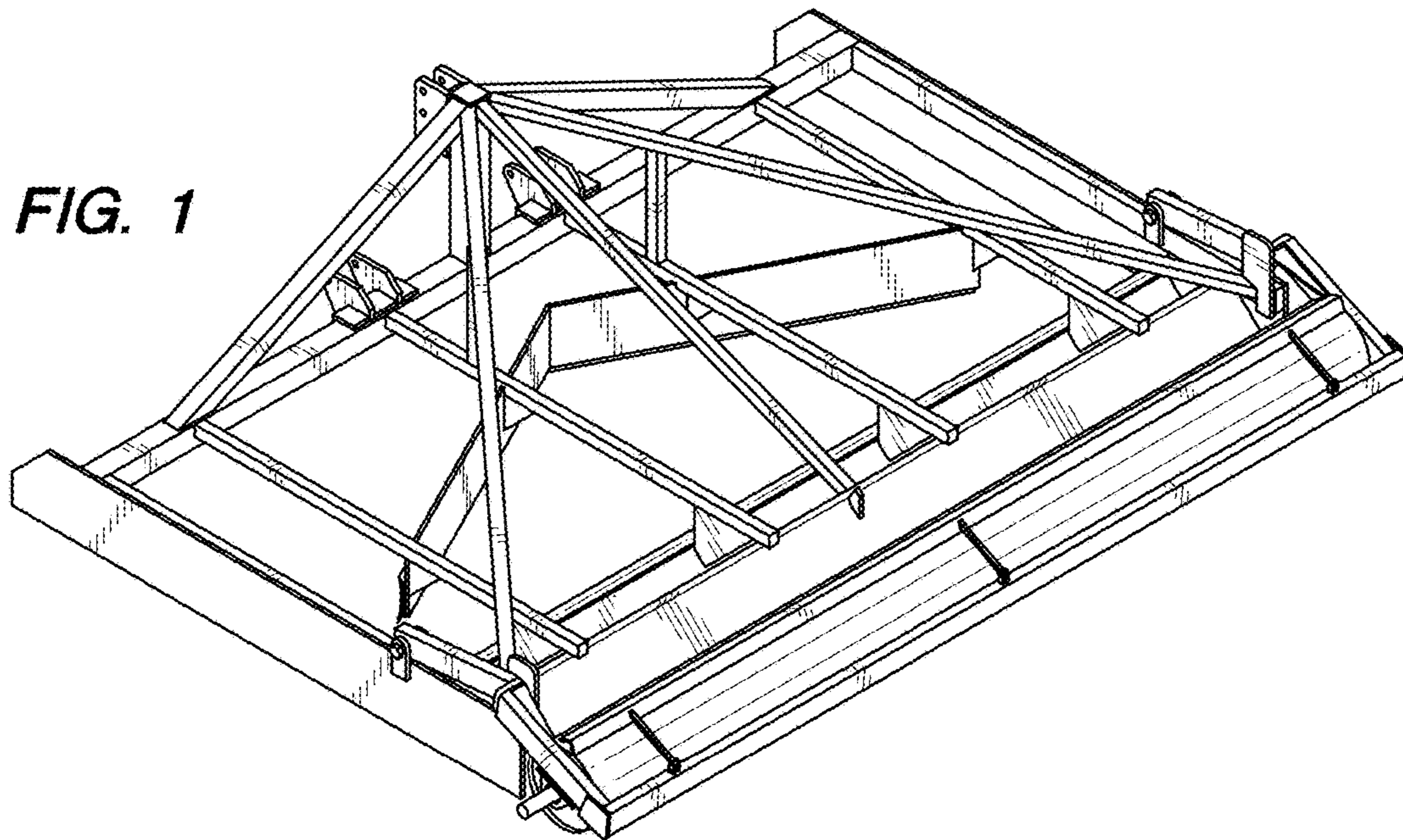
(56)

**References Cited**

U.S. PATENT DOCUMENTS

6,467,552 B1 \* 10/2002 Whatmough ..... A01B 31/00  
172/445.1  
D623,668 S \* 9/2010 Bissell ..... D15/27  
8,083,005 B1 \* 12/2011 Nicolai ..... E02F 3/7631  
172/393  
8,393,406 B2 \* 3/2013 Seal ..... E02F 3/7627  
172/393  
10,119,243 B2 \* 11/2018 Chern ..... A01B 29/00

\* cited by examiner



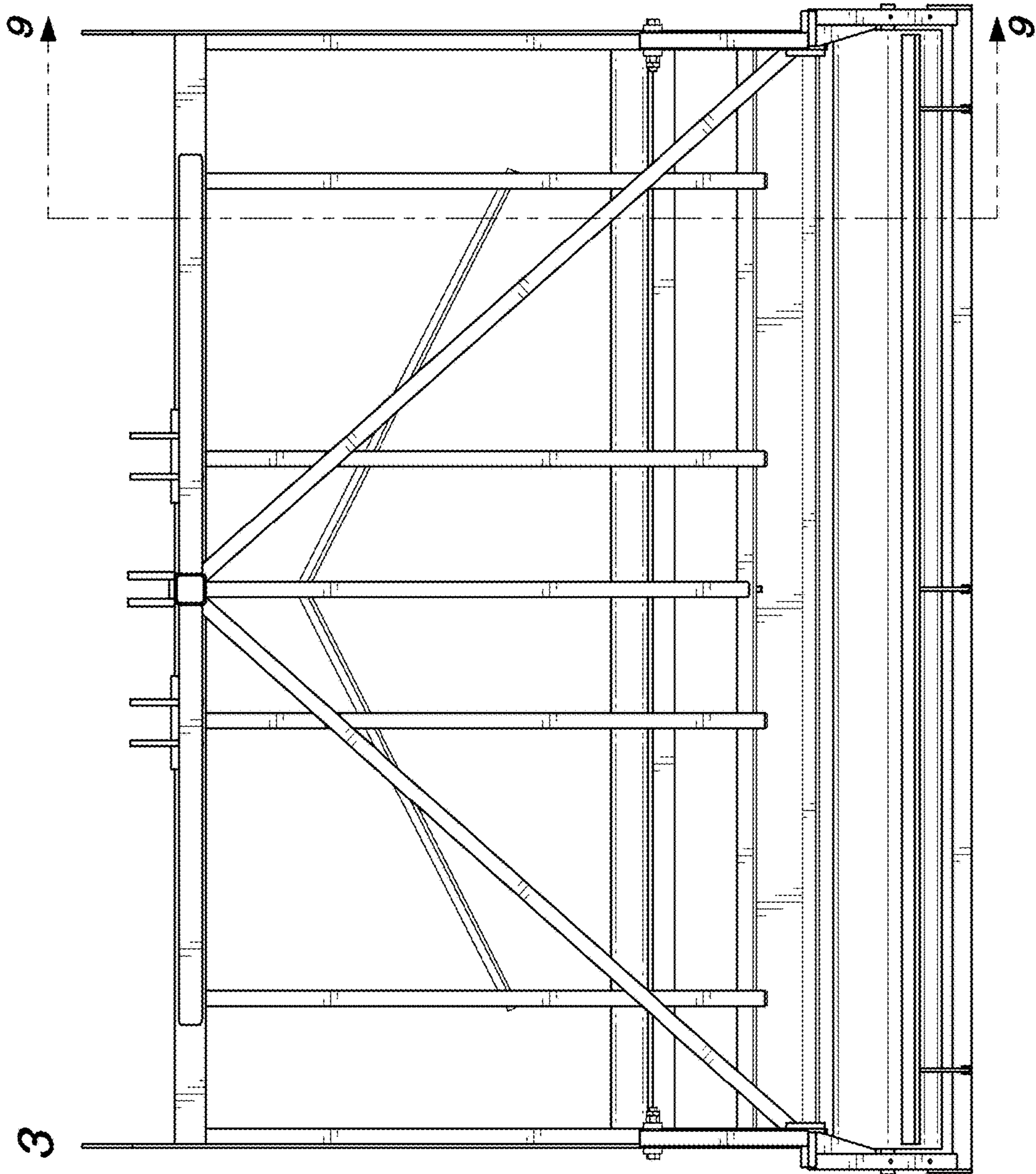


FIG. 3

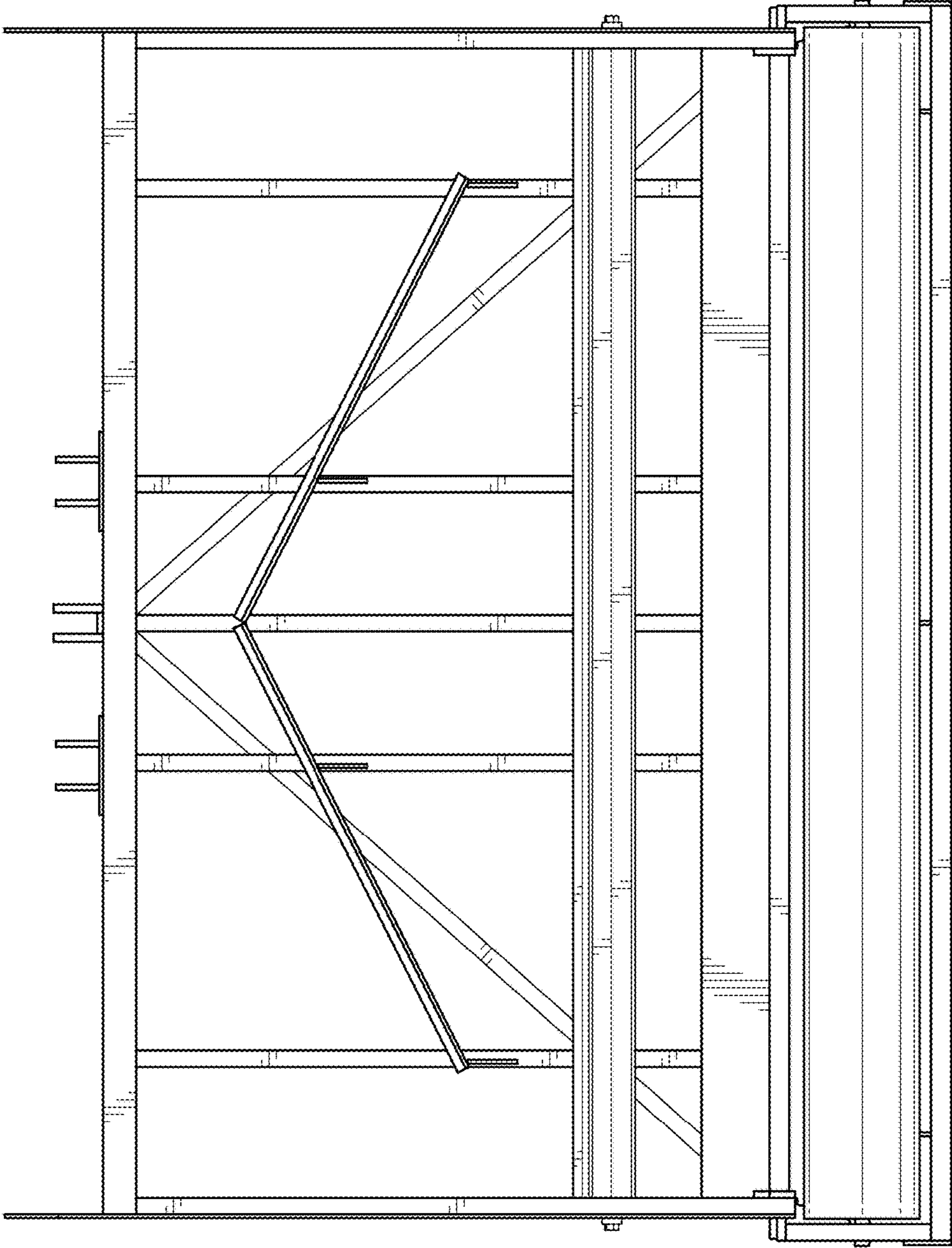
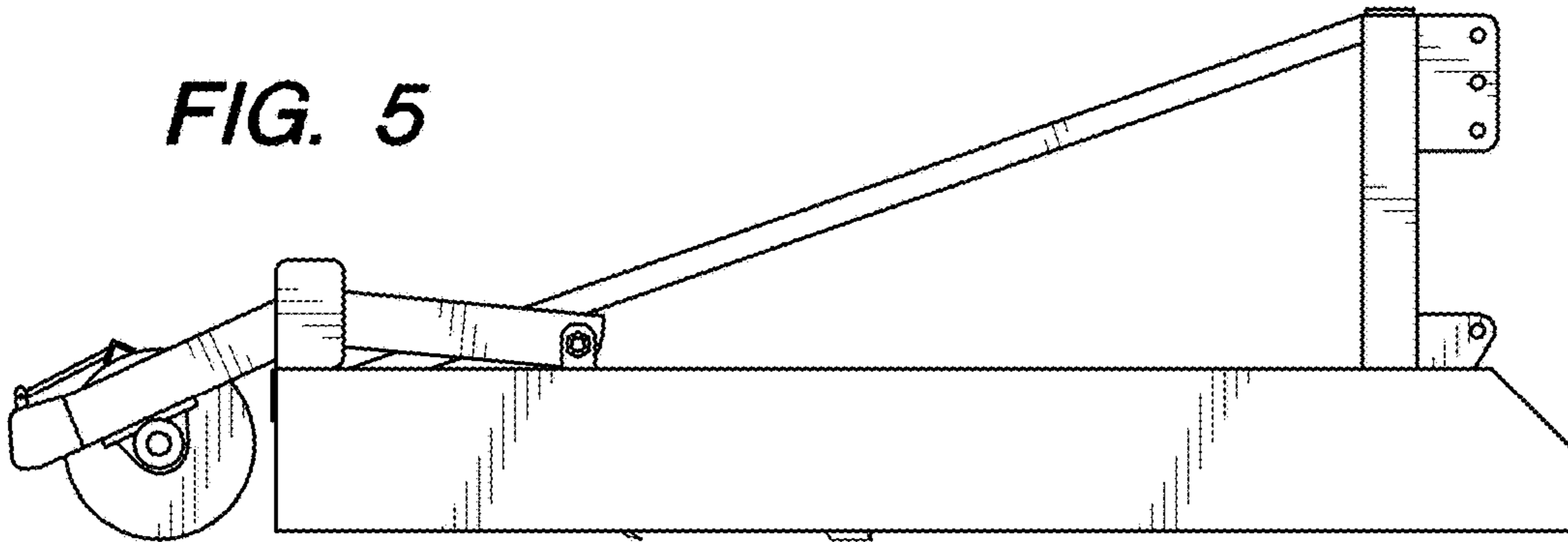


FIG. 4

**FIG. 5**



**FIG. 6**

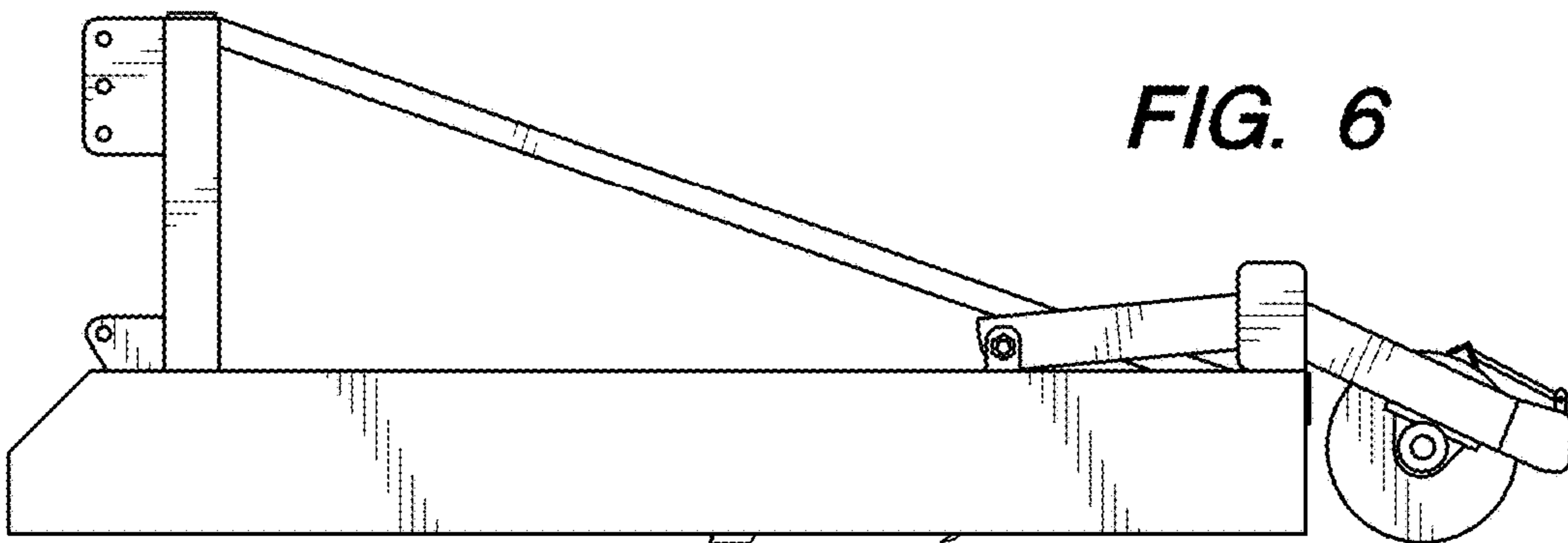


FIG. 7

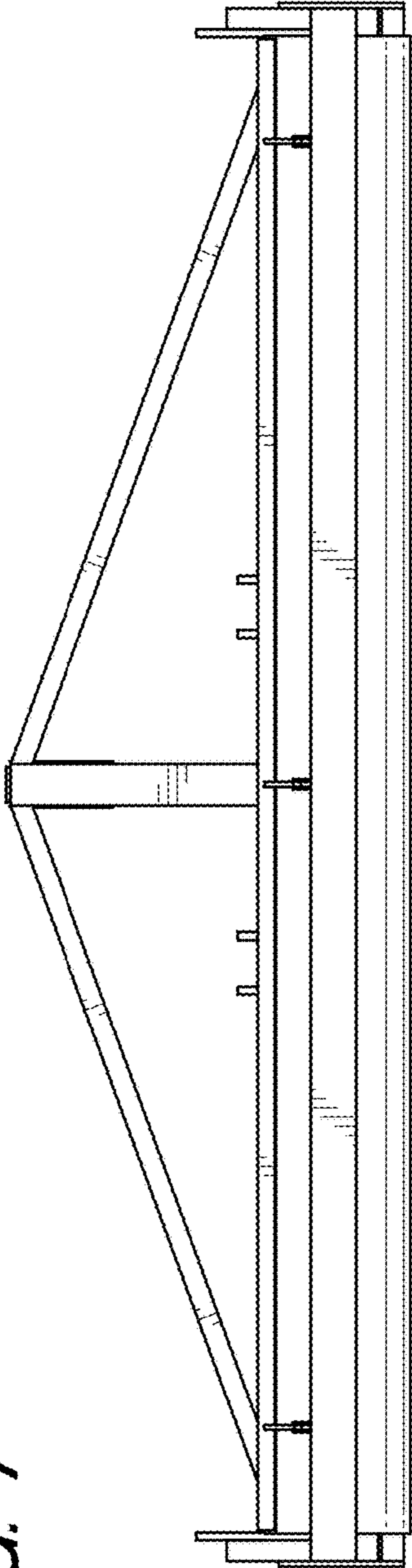
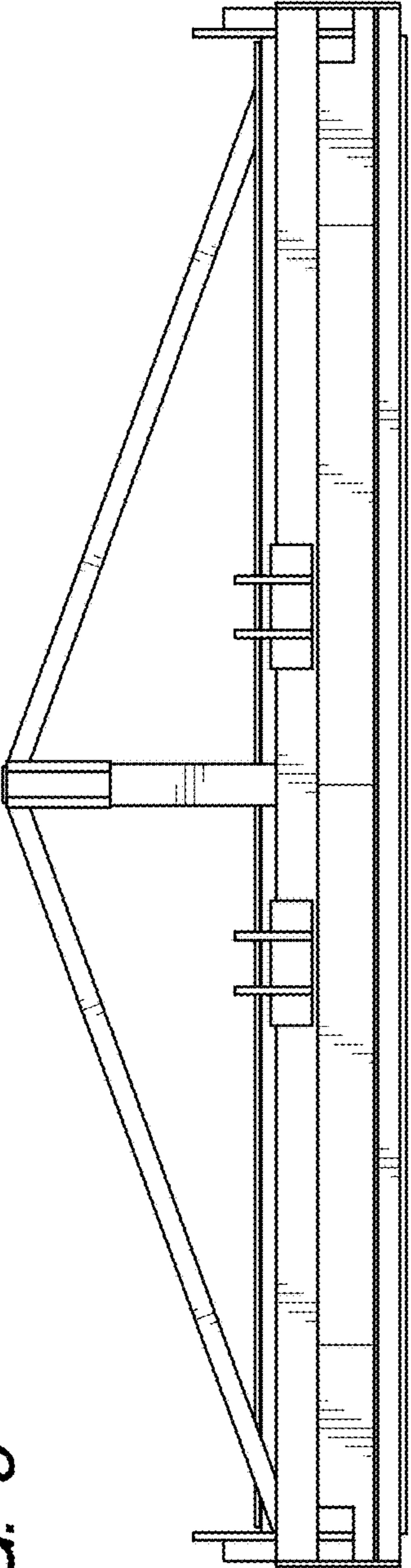


FIG. 8



*FIG. 9*

