



US00D569189S

(12) **United States Design Patent**  
**Kehrein et al.**

(10) **Patent No.:** **US D569,189 S**

(45) **Date of Patent:** **\*\* May 20, 2008**

(54) **GLASS**

(75) Inventors: **Carsten Kehrein**, Koblenz (DE); **Alan Jack Johan Laninga**, Maple Ridge (CA)

(73) Assignee: **BBC Brands, LLC**, Boston, MA (US)

(\*\*) Term: **14 Years**

(21) Appl. No.: **29/276,198**

(22) Filed: **Jan. 18, 2007**

(51) **LOC (8) Cl.** ..... **07-01**

(52) **U.S. Cl.** ..... **D7/523; D7/509**

(58) **Field of Classification Search** ..... D7/396.2, D7/500, 509, 510, 523, 524, 526–528, 530–532, D7/540, 565, 584, 900, 535; D9/500, 502, D9/516, 519, 549, 555, 776, 778; D34/1; 215/10, 387, DIG. 7; 220/495.04, 560, 592.16, 220/592.17, 703; 226/406; 229/400; 383/110  
See application file for complete search history.

(56) **References Cited**

**U.S. PATENT DOCUMENTS**

D96,737 S *	9/1935	Funfrock	.....	D7/523
D99,508 S *	5/1936	Hutchison	.....	D7/523
D108,788 S *	3/1938	Kostellow	.....	D7/523
D110,280 S *	6/1938	Fuerst	.....	D7/523
D383,037 S *	9/1997	Asberg	.....	D7/511
D404,254 S *	1/1999	Asberg	.....	D7/511
5,909,820 A *	6/1999	Yeh	.....	220/711
D437,230 S *	2/2001	Andrew	.....	D9/516
D454,278 S *	3/2002	Kerman	.....	D7/509
D469,658 S *	2/2003	Norris et al.	.....	D7/523

D506,641 S *	6/2005	Liu	.....	D7/523
D526,848 S *	8/2006	Bodum	.....	D7/523
D528,861 S *	9/2006	Herrera	.....	D7/510

\* cited by examiner

*Primary Examiner*—Philip S. Hyder

*Assistant Examiner*—Cynthia Underwood

(74) *Attorney, Agent, or Firm*—Dorsey & Whitney LLP

(57) **CLAIM**

The ornamental design of the glass, as shown and described.

**DESCRIPTION**

FIG. 1 is a side view of a first exemplary embodiment of a glass showing our new design;

FIG. 2 is a perspective view of the glass of FIG. 1;

FIG. 3 is a top view of the glass of FIG. 1;

FIG. 4 is a bottom view of the glass of FIG. 1;

FIG. 5 is a front view of a second exemplary embodiment of a glass showing our new design;

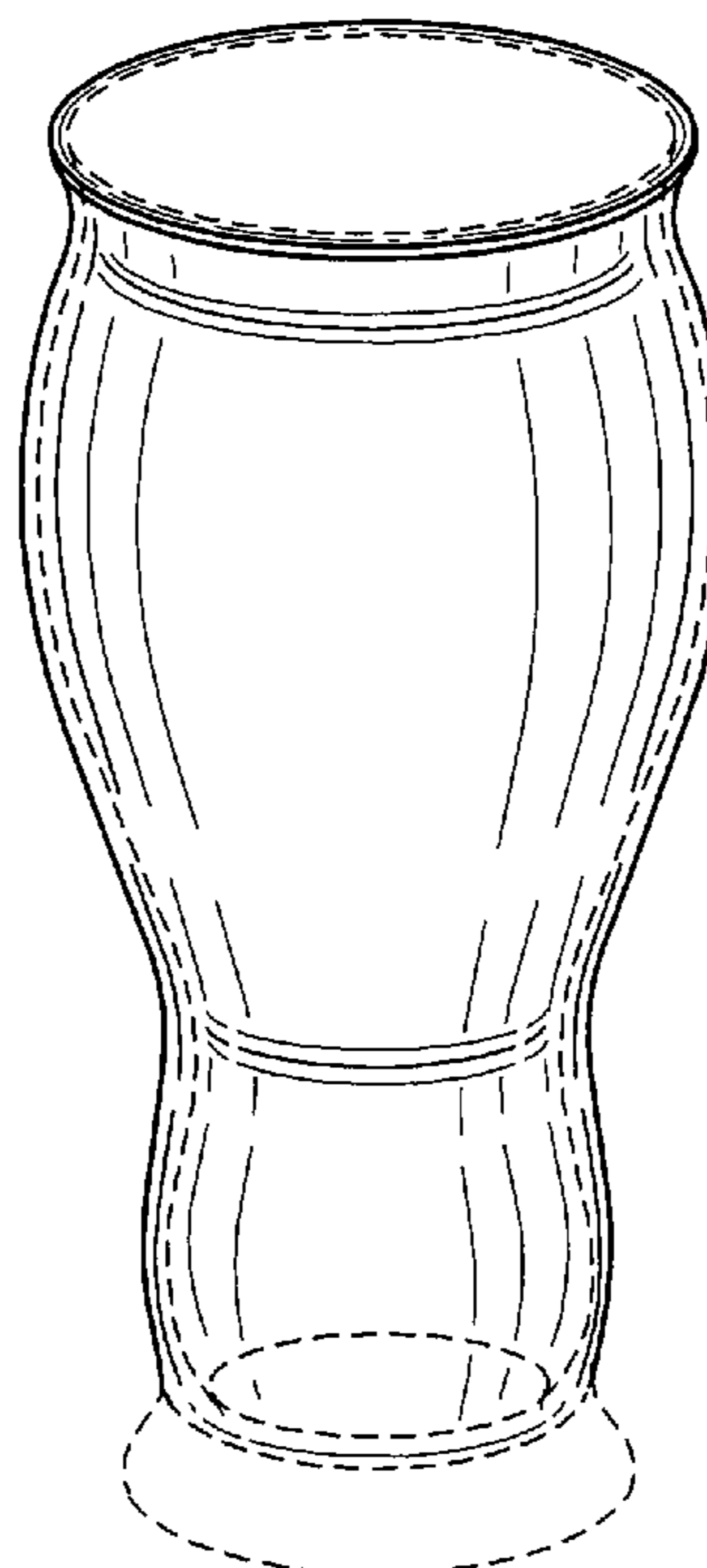
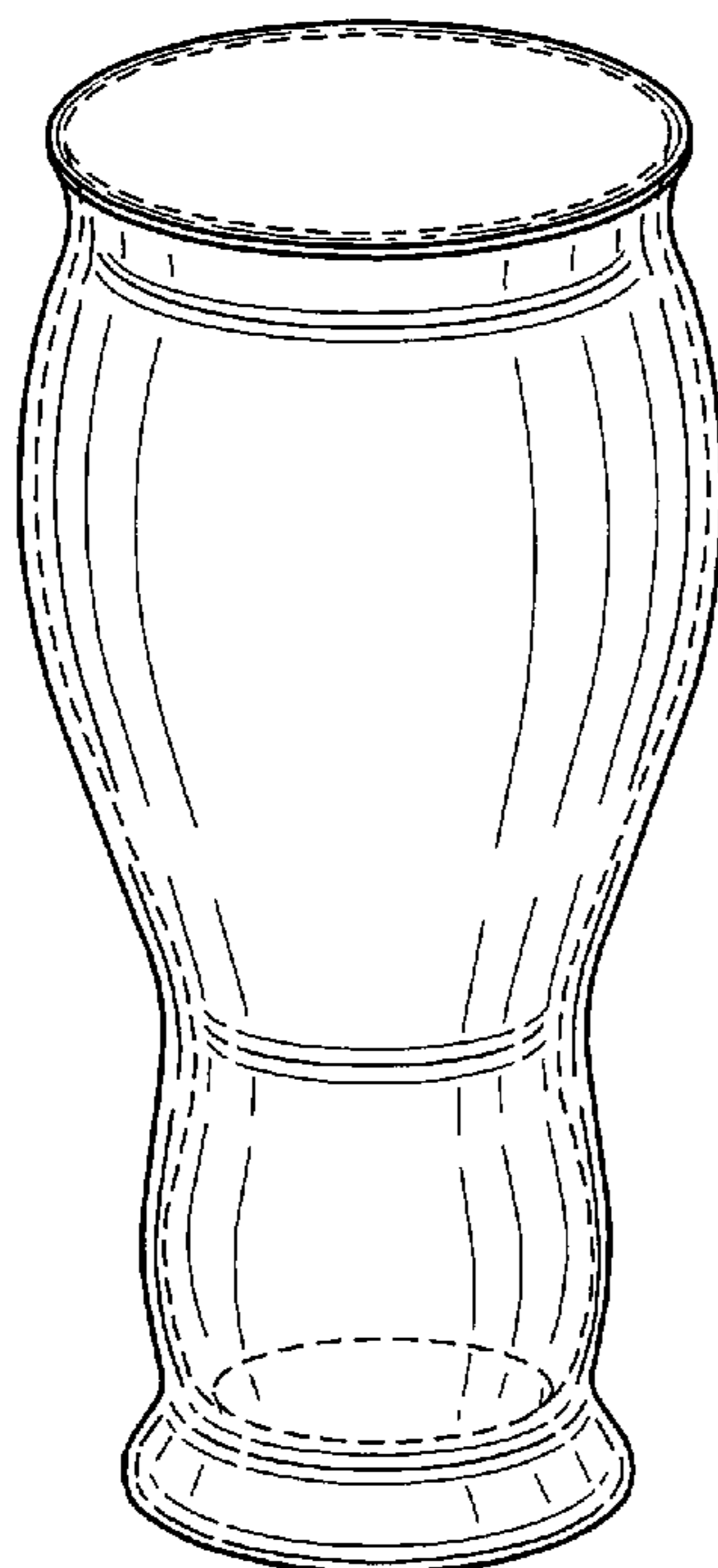
FIG. 6 is a perspective view of the glass of FIG. 5;

FIG. 7 is a top view of the glass of FIG. 5; and,

FIG. 8 is a bottom view of the glass of FIG. 5.

The broken lines are provided for illustrative purposes only, and form no part of the claimed design. In addition, shadings are provided for illustrative purposes only, and do not form any portion of the claimed design. Further, the portions of the glass that are not shown in the drawings do not form any part of the claimed design.

**1 Claim, 4 Drawing Sheets**



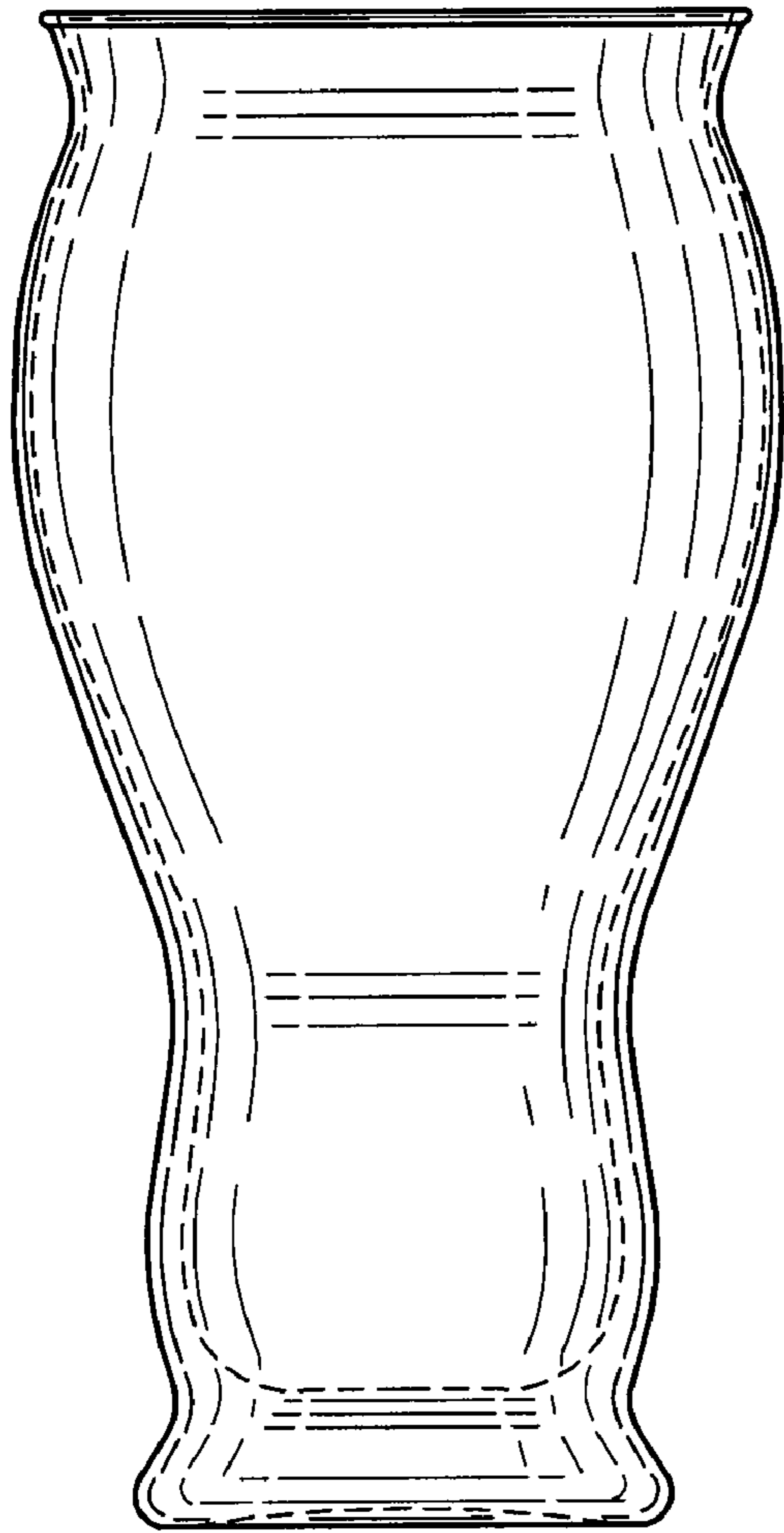


FIG. 1

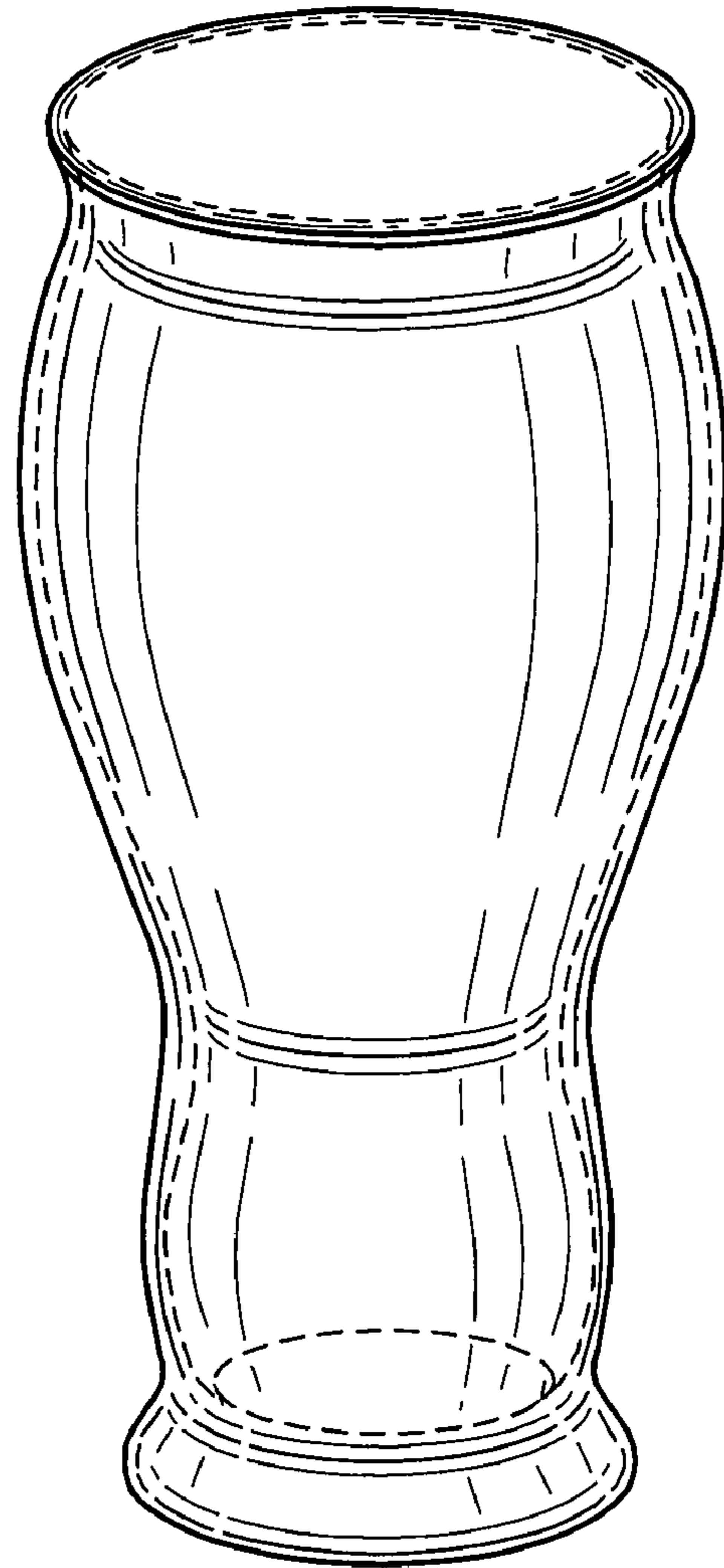


FIG. 2

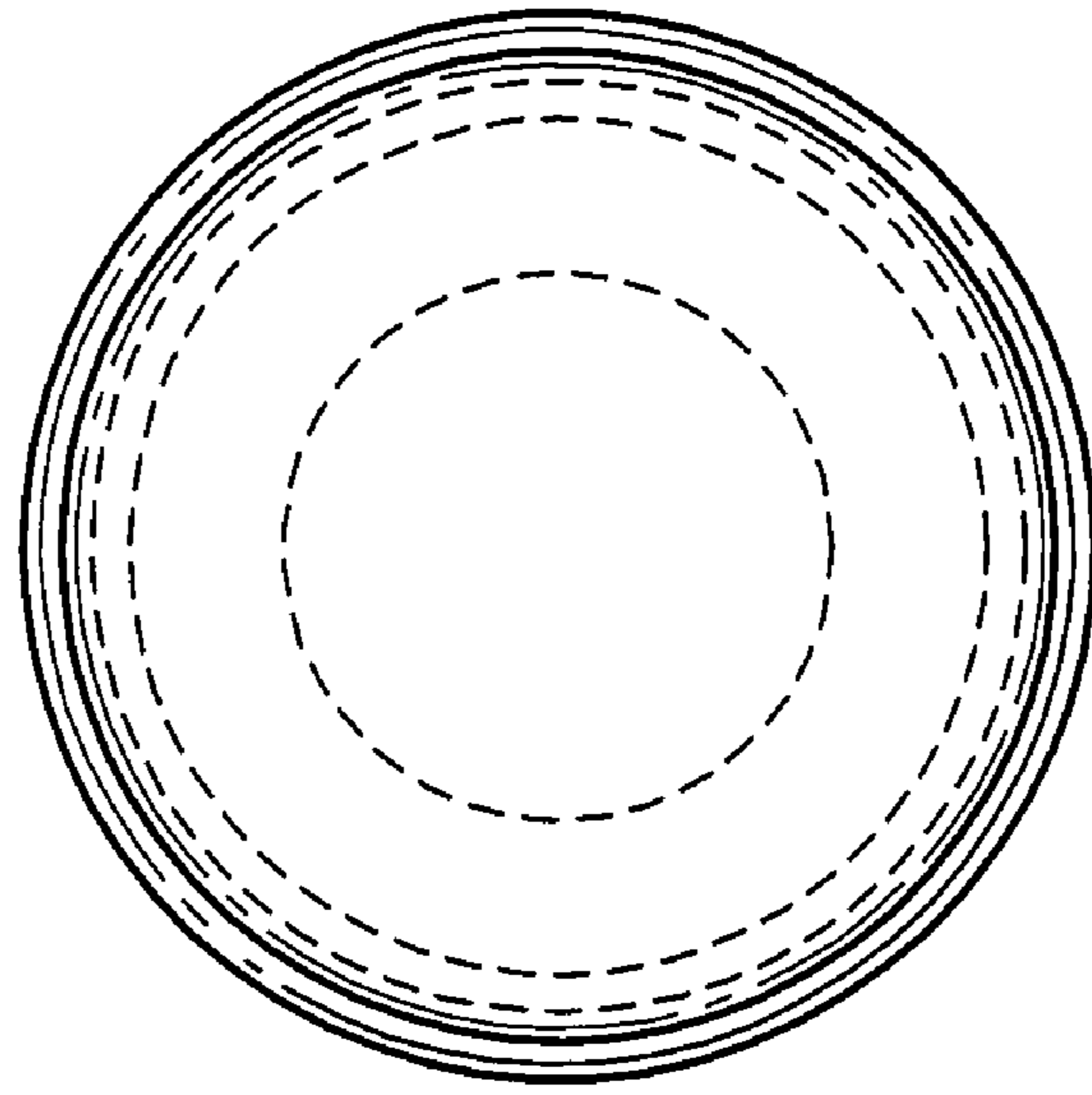


FIG. 3

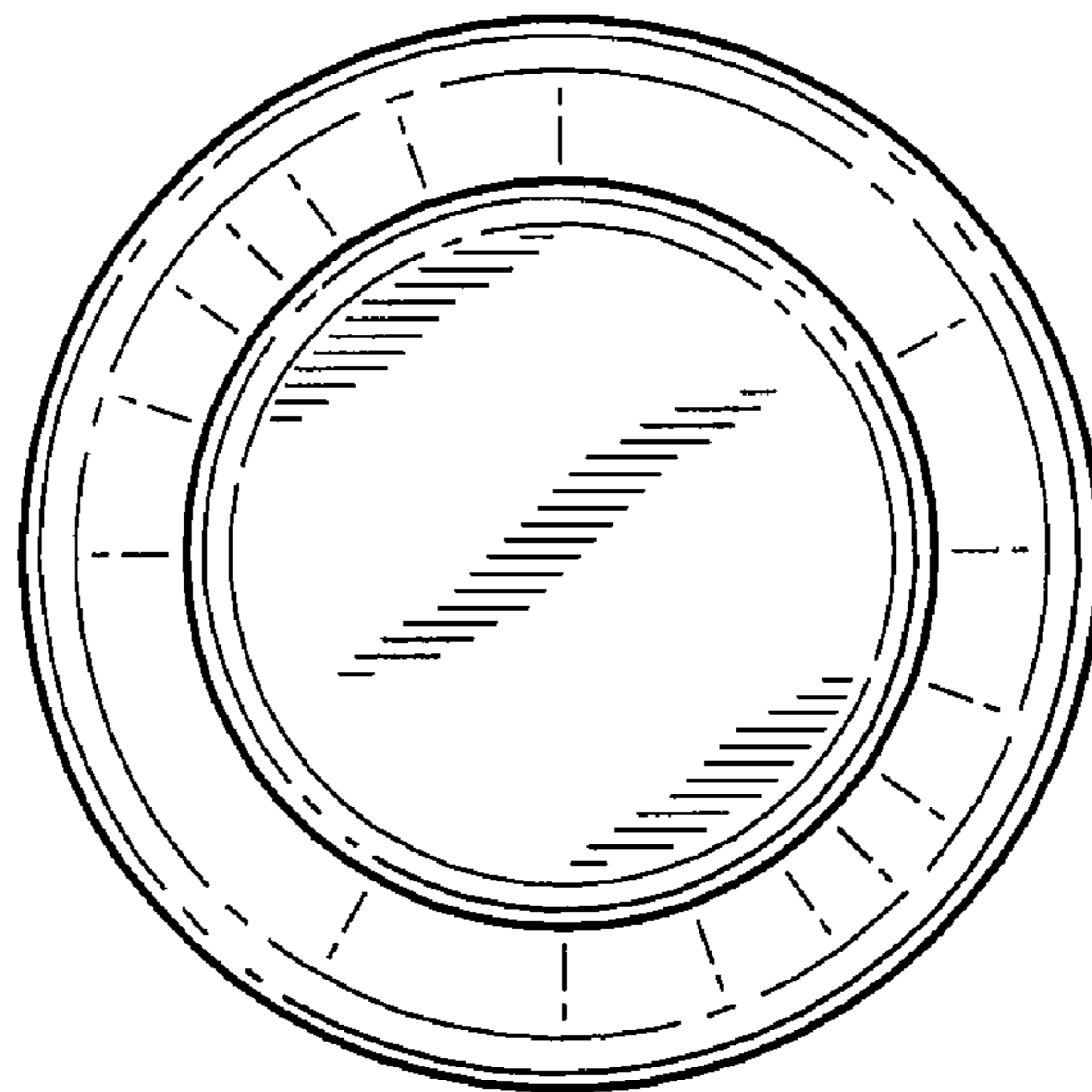


FIG. 4

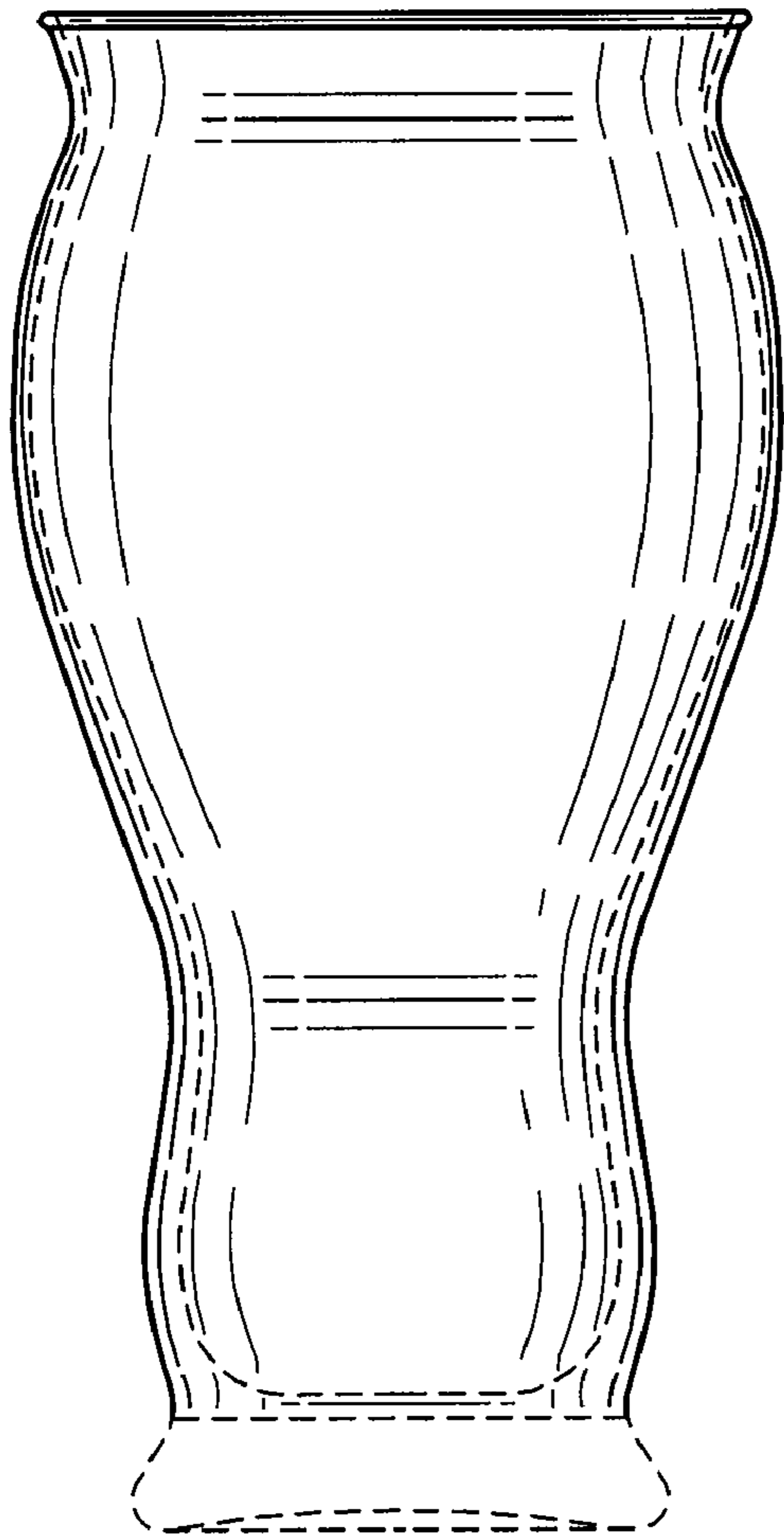


FIG. 5

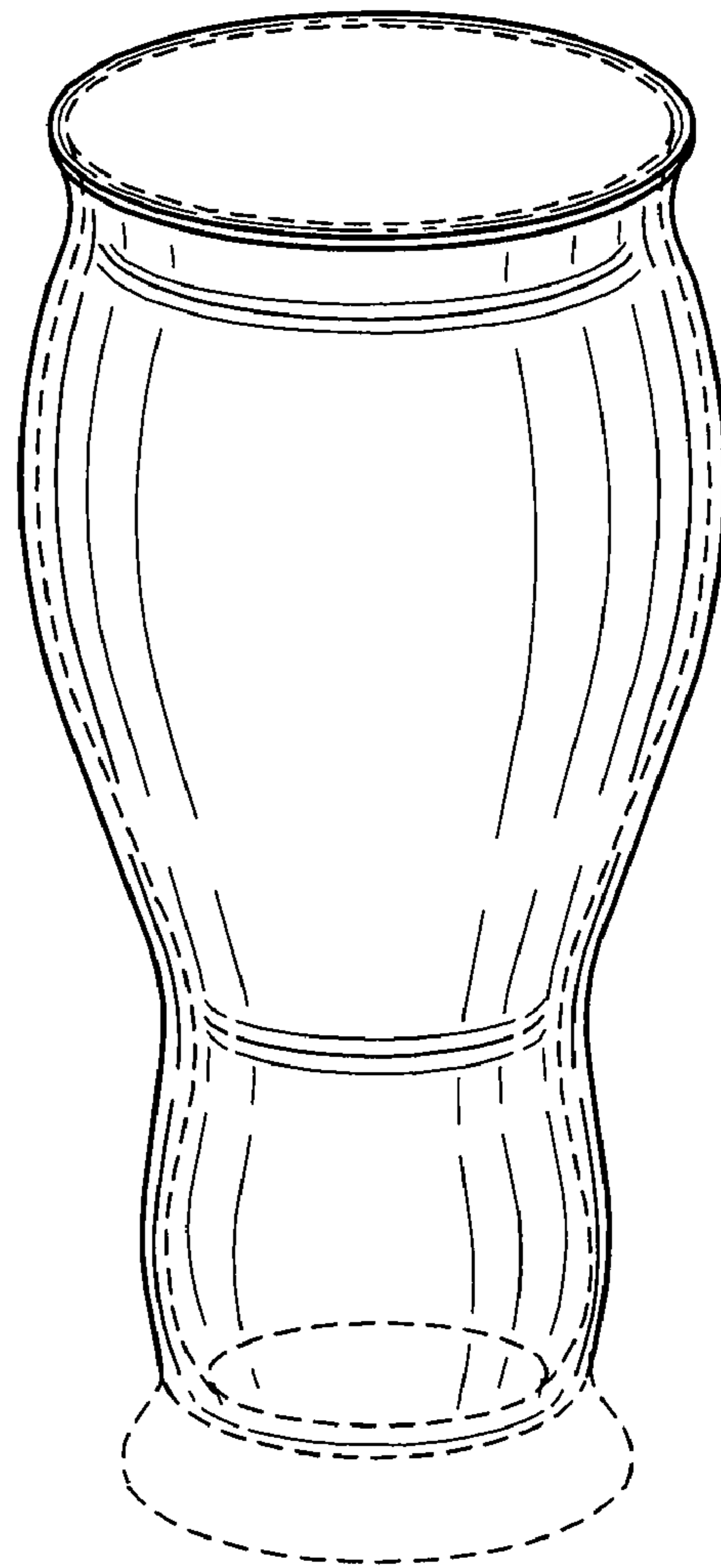


FIG. 6

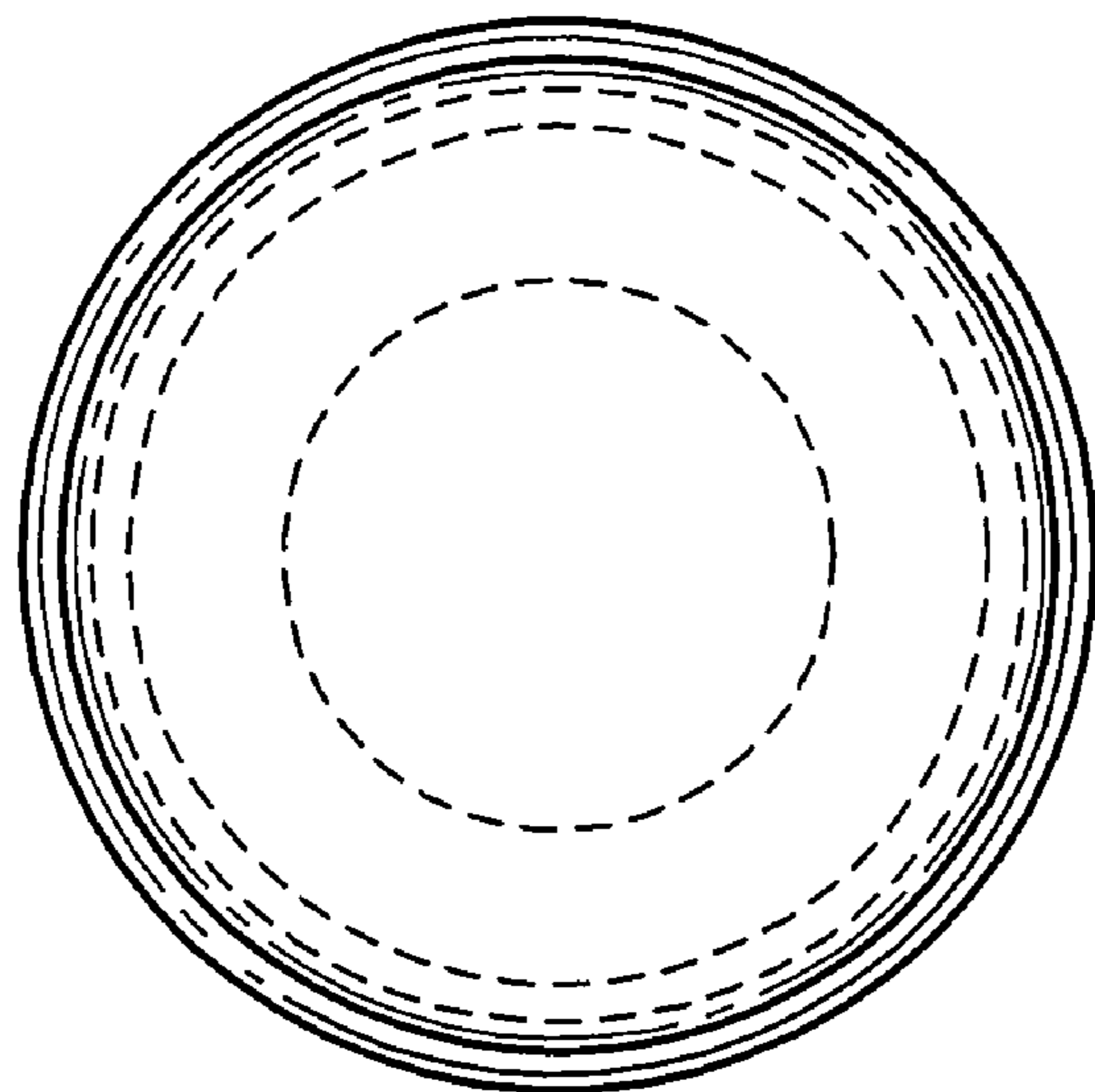


FIG. 7

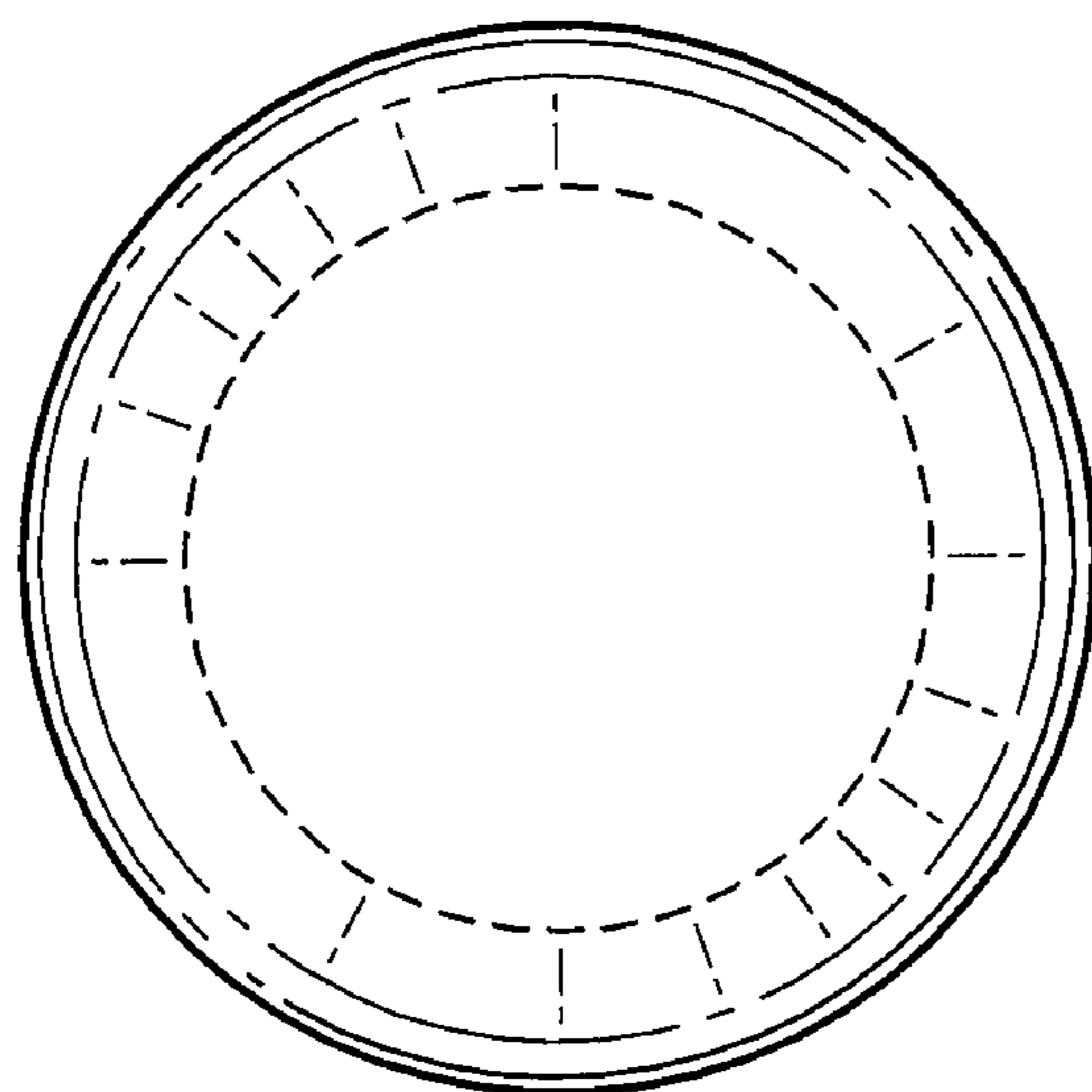


FIG. 8