



US00D451296B1

(12) **United States Design Patent**  
**Stewart**

(10) **Patent No.:** **US D451,296 S**

(45) **Date of Patent:** **\*\* Dec. 4, 2001**

(54) **SEAT**

(75) **Inventor:** **Kipp Stewart**, Carmel, CA (US)

(73) **Assignee:** **Landscape Forms, Inc.**, Kalamazoo, MI (US)

(\*\*) **Term:** **14 Years**

(21) **Appl. No.:** **29/130,232**

(22) **Filed:** **Sep. 29, 2000**

(51) **LOC (7) Cl.** ..... **06-01**

(52) **U.S. Cl.** ..... **D6/370; D6/381**

(58) **Field of Search** ..... D6/349–353, 370, D6/355, 495–499, 387, 381, 382; 297/461, 462, 195.11, 423.1, 423.11, 423.39, 423.41, 423.42, 423.43

(56) **References Cited**

**U.S. PATENT DOCUMENTS**

- D. 299,595 \* 1/1989 Shields ..... D6/335
- D. 336,796 \* 6/1993 Chang ..... D6/370
- D. 386,322 \* 11/1997 Maury ..... D6/370

**OTHER PUBLICATIONS**

- Landscape Forms Inc., 1995, bench at top, p. 11.\*
- Dalvey Products, Aug. 15, 1995, Bench #A.\*
- Sling Console Table, Bradford Stewart & Company, Palo Alto, CA, 1995, 2 pp.

Poolside Collection, Bradford Stewart & Company, Oakland, CA, 1996, 2 pp.

\* cited by examiner

*Primary Examiner*—Janice E. Seeger

(74) *Attorney, Agent, or Firm*—Heslin Rothenberg Farley & Mesiti, P.C.

(57) **CLAIM**

The ornamental design for a seat, as shown and described.

**DESCRIPTION**

FIG. 1 is an isometric view of the seat of my design;

FIG. 2 is a top plan view.

FIG. 3 is a front elevational view.

FIG. 4 is a left side elevational view, the right side elevational view being a mirror image thereof;

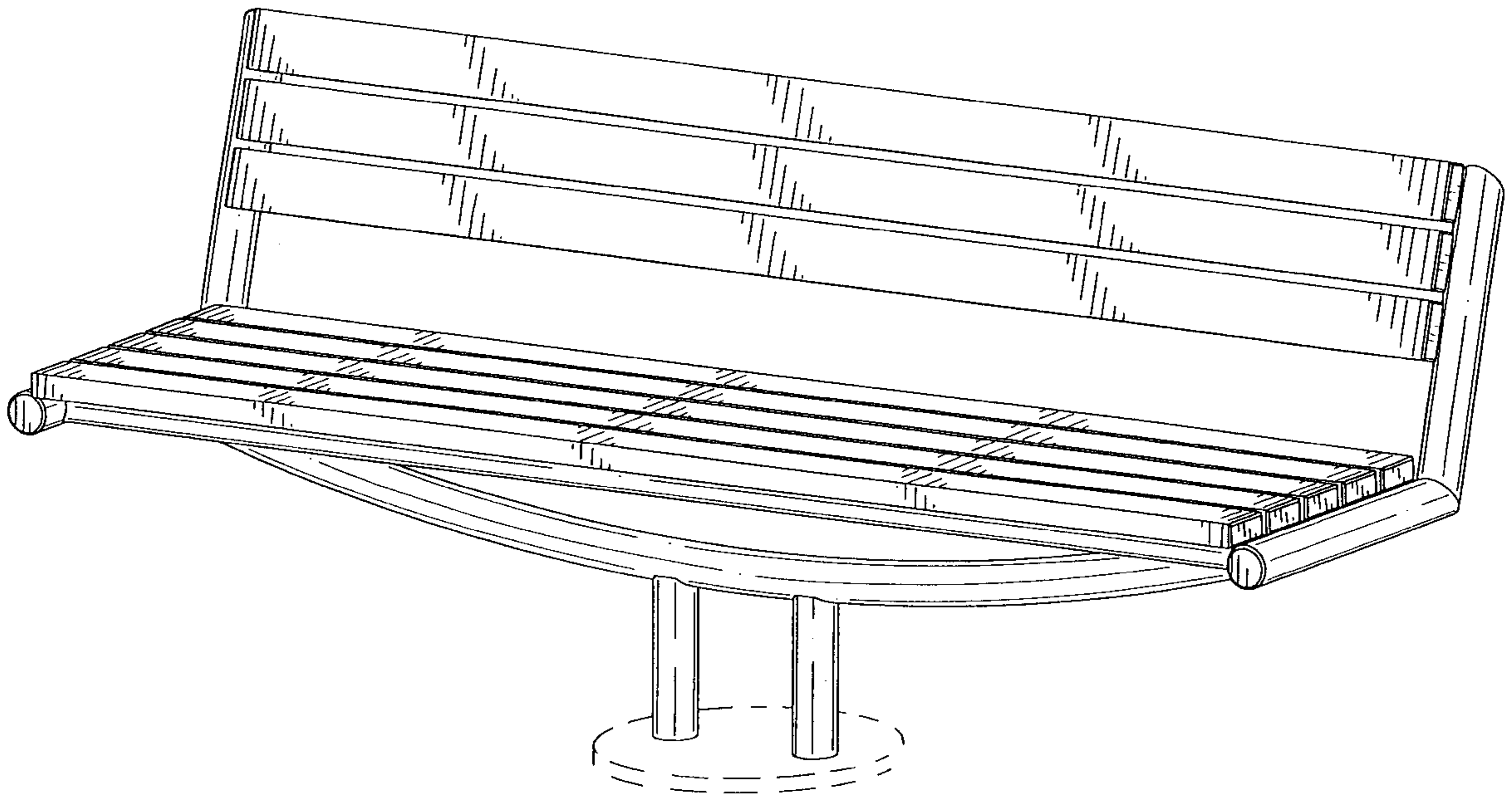
FIG. 5 is a back elevational view.

FIG. 6 is a bottom plan view; and,

FIG. 7 is an isometric view of the seat of my new design, the only difference from FIG. 1 being the broken line showing of side arms.

The broken line showing in the drawing figures is for illustrative purposes only and forms no part of the claimed design.

**1 Claim, 7 Drawing Sheets**



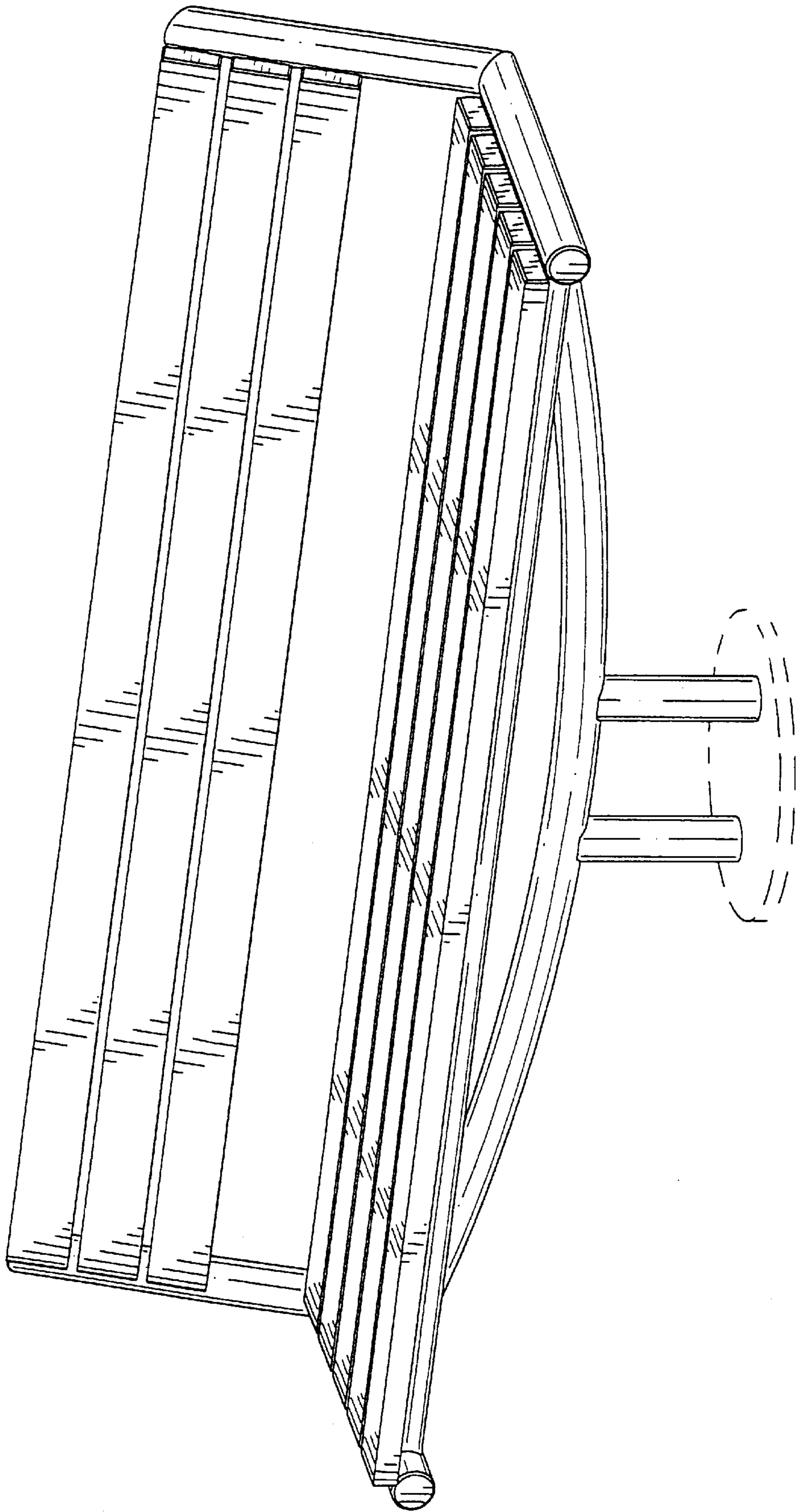


FIG. 1

FIG. 2

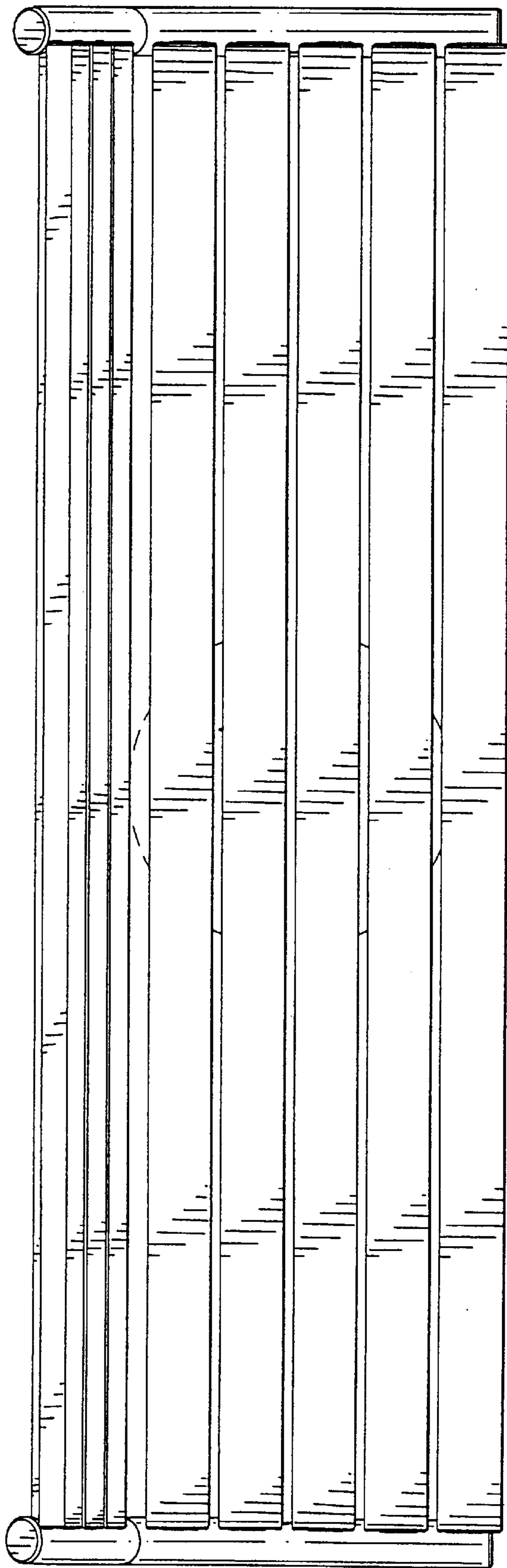
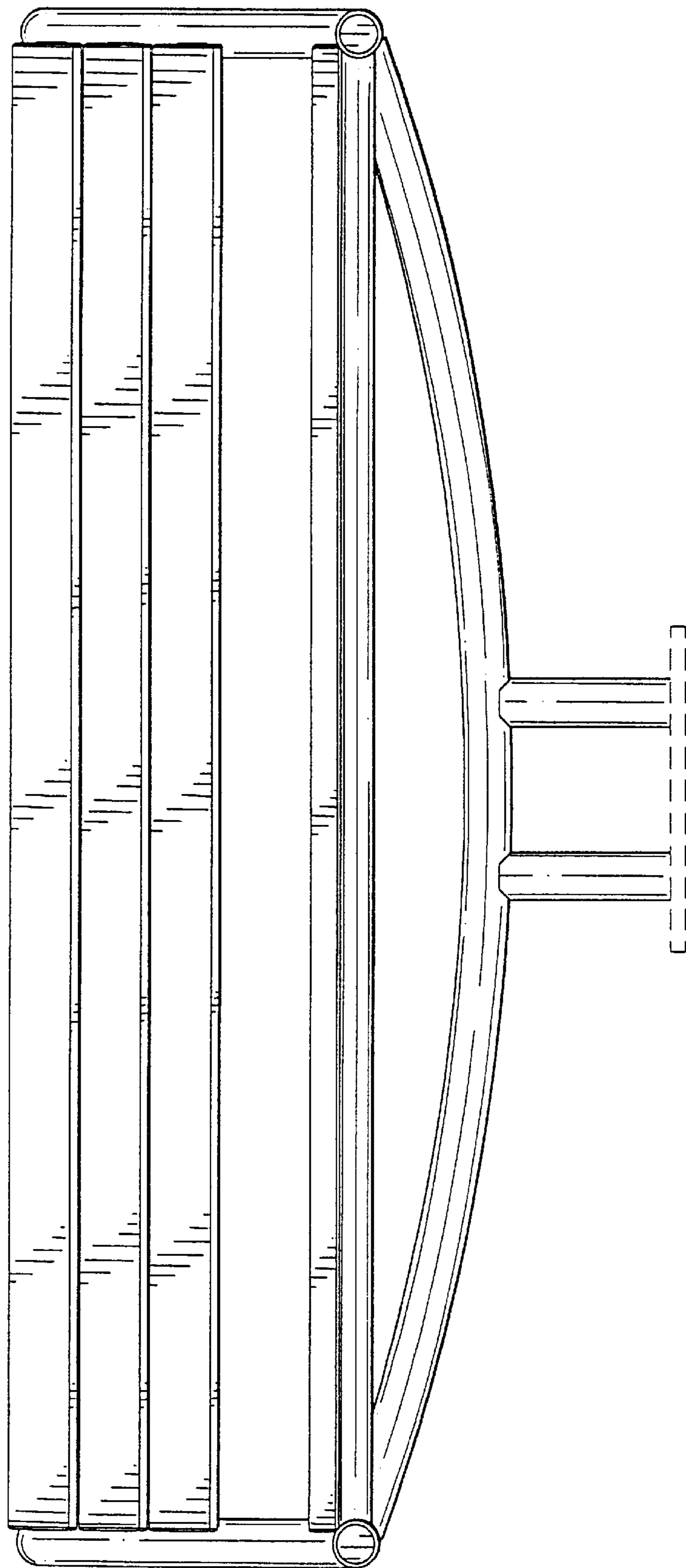


FIG. 3



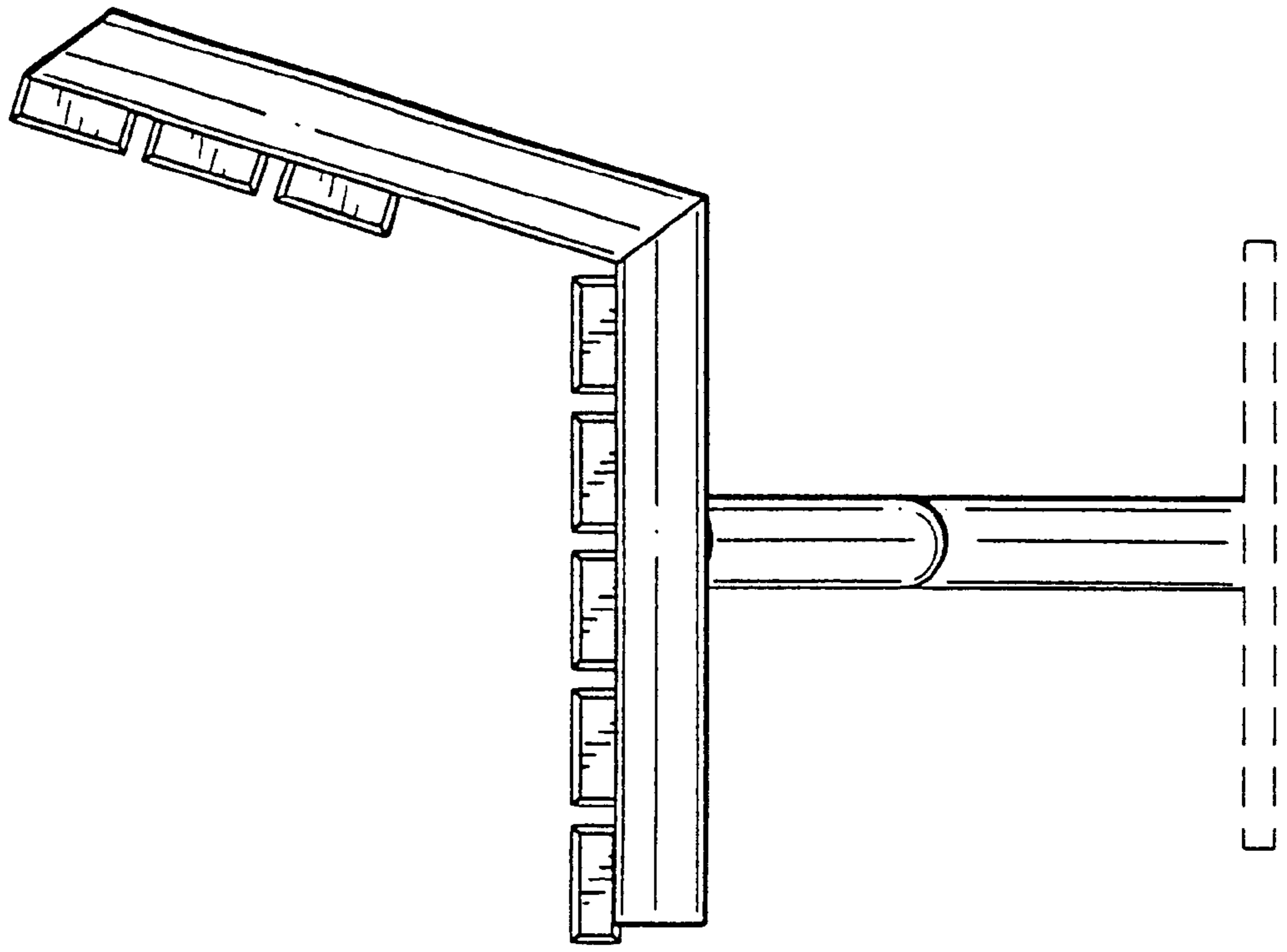


FIG. 4



FIG. 5

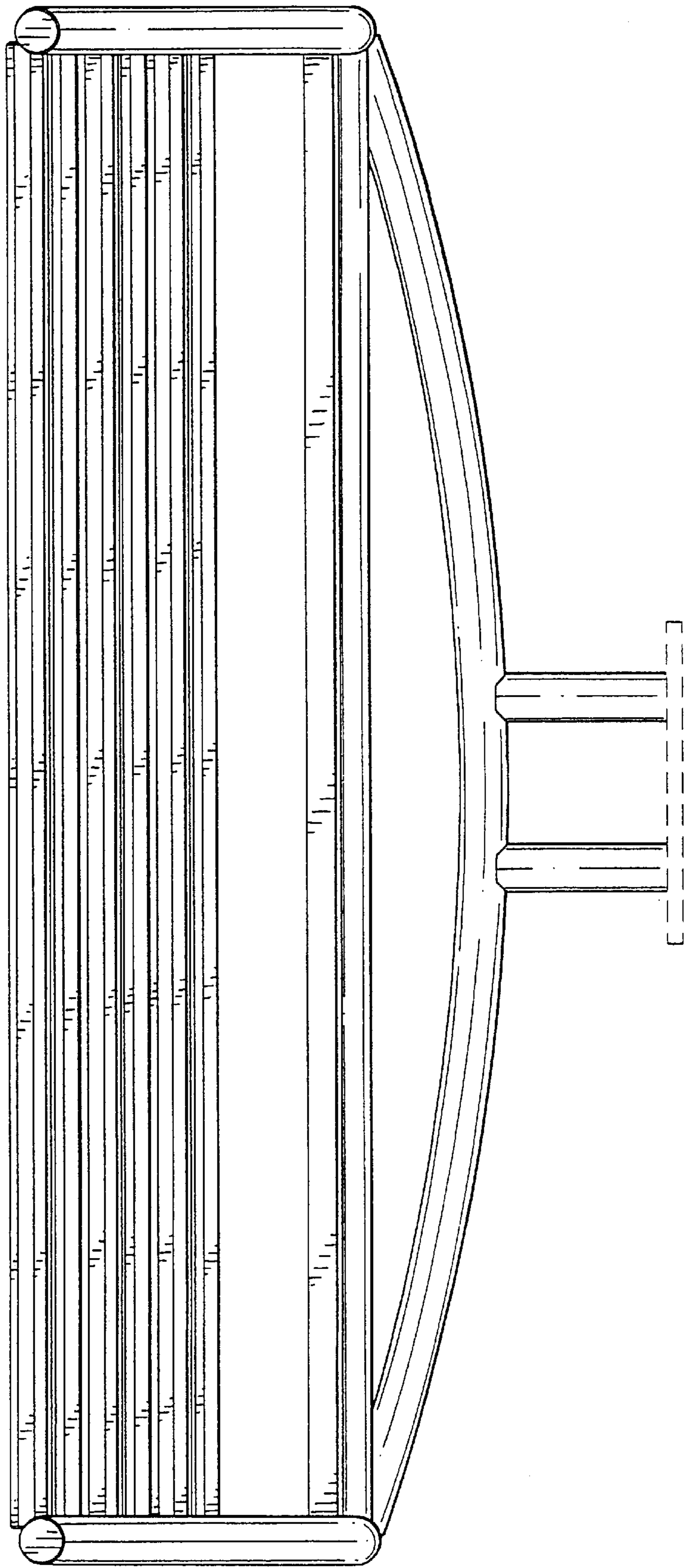
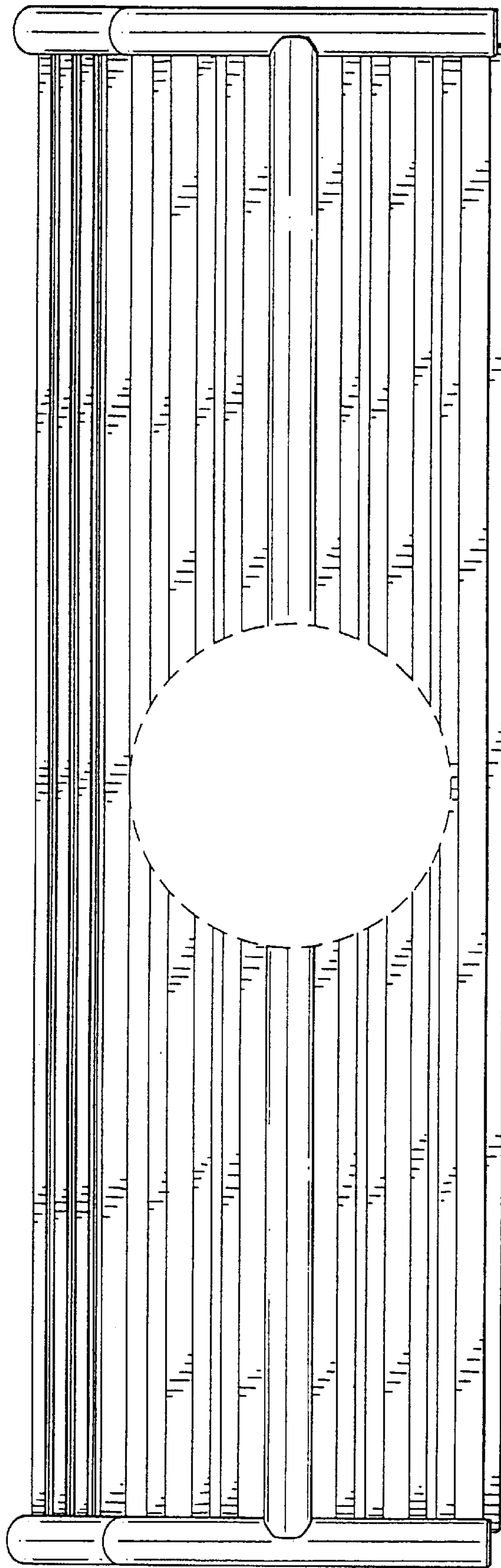


FIG. 6



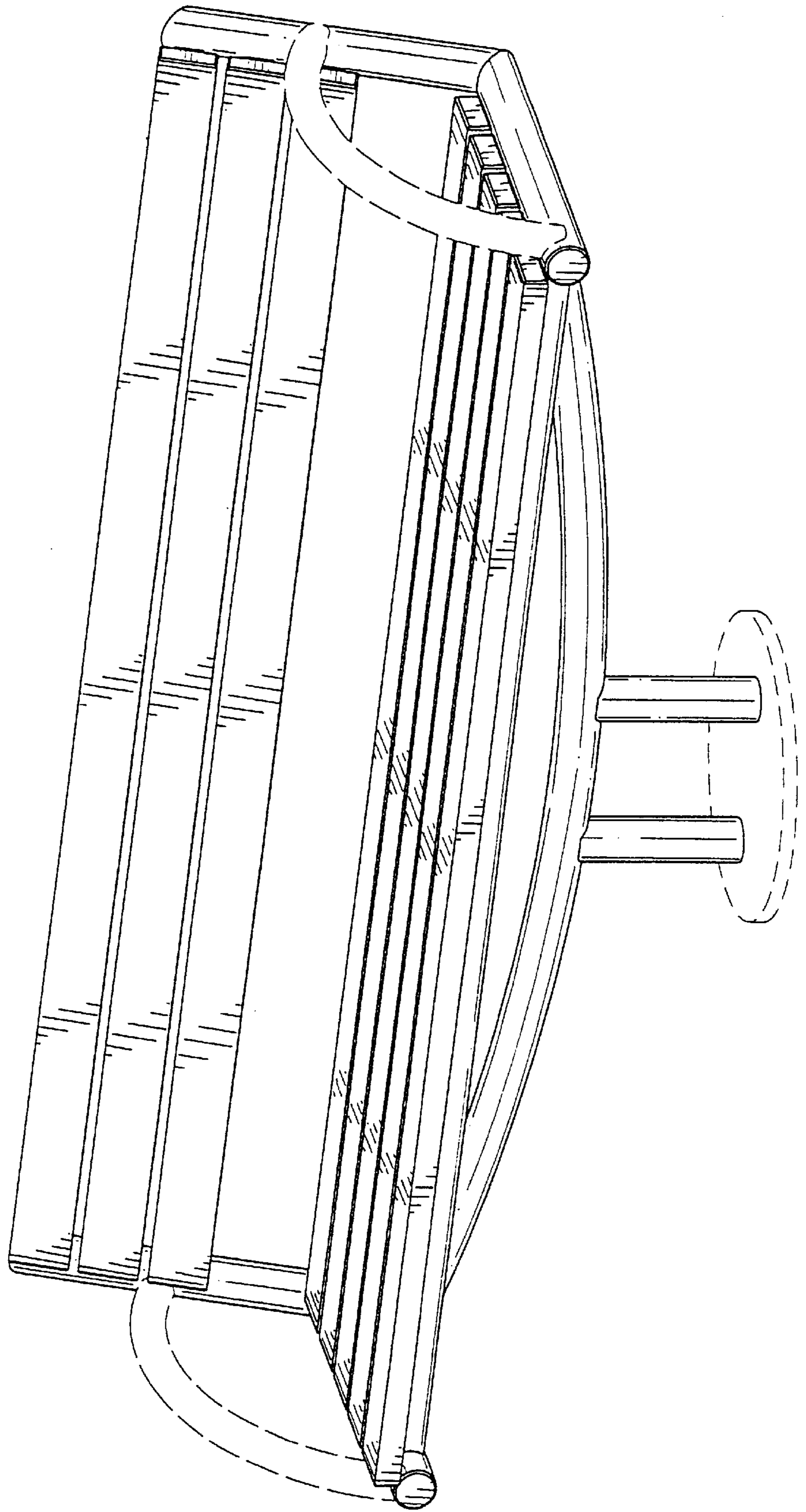


FIG. 7