

US00D864893S

(12) **United States Design Patent** (10) **Patent No.:** **US D864,893 S**
Lee et al. (45) **Date of Patent:** **** Oct. 29, 2019**

(54) **WIRELESS SPEAKER** D692,860 S * 11/2013 Paterson D14/214
(71) Applicant: **LG ELECTRONICS INC.,** Seoul D692,861 S * 11/2013 Paterson D14/214
(KR) 9,014,411 B2 * 4/2015 Rodgers H04R 1/023
(72) Inventors: **Sangho Lee,** Seoul (KR); **Sooyoung** 381/391
Park, Seoul (KR) D749,541 S * 2/2016 Wong D14/170
D758,336 S * 6/2016 Kelly D14/204
D763,825 S * 8/2016 Zamir D14/215
(73) Assignee: **LG ELECTRONICS INC.,** Seoul D771,585 S * 11/2016 Espinosa D14/204
(KR) D779,456 S * 2/2017 Cho H04R 1/023
D14/204

(**) Term: **15 Years** (Continued)

(21) Appl. No.: **35/505,434**

OTHER PUBLICATIONS

(22) Filed: **Feb. 9, 2018**

www.LG.com: RK7 LG XBOOM Speaker System with Karaoke Creator. © 2009-2019; 15 pages. Found online Jun. 4, 2019 at https://www.lg.com/us/home-audio/lg-RK7-mini-shelf.*

(80) **Hague Agreement Data**

Int. Filing Date: **Feb. 9, 2018**
Int. Reg. No.: **DM/101334**
Int. Reg. Date: **Feb. 9, 2018**
Int. Reg. Pub. Date: **Aug. 10, 2018**

Primary Examiner — Robert M. Spear
(74) *Attorney, Agent, or Firm* — Birch, Stewart, Kolasch & Birch, LLP

(30) **Foreign Application Priority Data**

Aug. 11, 2017 (KR) 30-2017-0037424

(57) **CLAIM**

(51) **LOC (12) Cl.** **14-01**

The ornamental design for a wireless speaker, as shown and described.

(52) **U.S. Cl.**

USPC **D14/204**

(58) **Field of Classification Search**

USPC D14/168, 169, 170, 171, 172, 188, 204,
D14/209, 209.1, 210, 212, 214, 215, 221
CPC G06F 1/1688; G10K 9/22; H04N 5/64;
H04R 1/02; H04R 1/021; H04R 1/025;
H04R 1/026; H04R 1/028; H04R 1/403;
H04R 1/2803; H04R 1/2834; H04R 5/02;
H04R 9/06; H04R 19/013; H04R
2201/021; H04R 2400/00; H04R 2499/11;
H05K 5/00; H05K 5/0086

DESCRIPTION

- 1. Wireless speaker
- 1.1 : Perspective
- 1.2 : Front
- 1.3 : Back
- 1.4 : Left
- 1.5 : Top
- 1.6 : Bottom

See application file for complete search history.

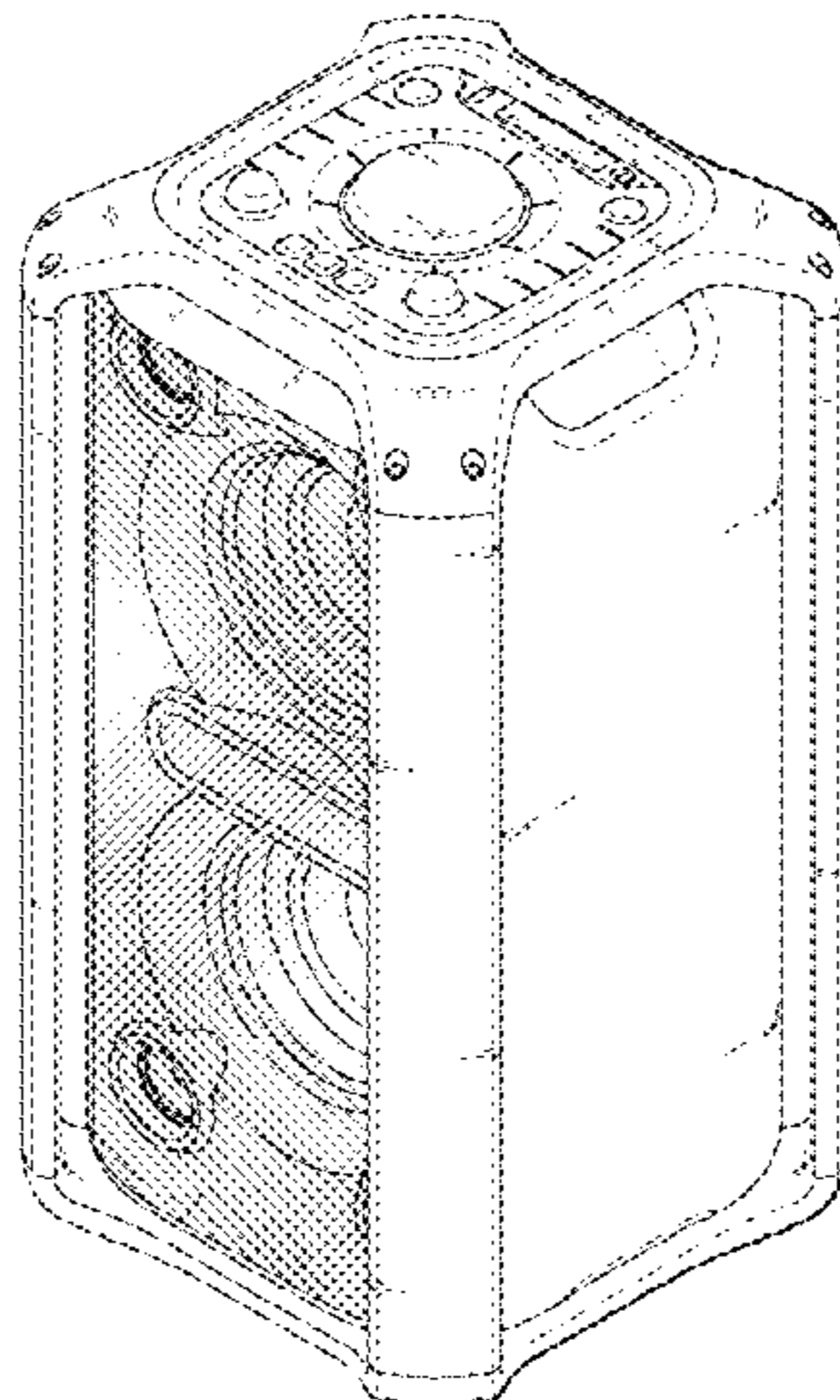
Reproduction 1.1 is a front perspective view of the wireless speaker; reproduction 1.2 is a front view thereof; reproduction 1.3 is a back view thereof; reproduction 1.4 is a left view thereof where the right view is a mirror image; reproduction 1.5 is a top view thereof; reproduction 1.6 is a bottom view thereof.

(56) **References Cited**

U.S. PATENT DOCUMENTS

D160,537 S * 10/1950 Reynolds, Jr. D14/170
D514,089 S * 1/2006 Jones D14/214

1 Claim, 6 Drawing Sheets



(56)

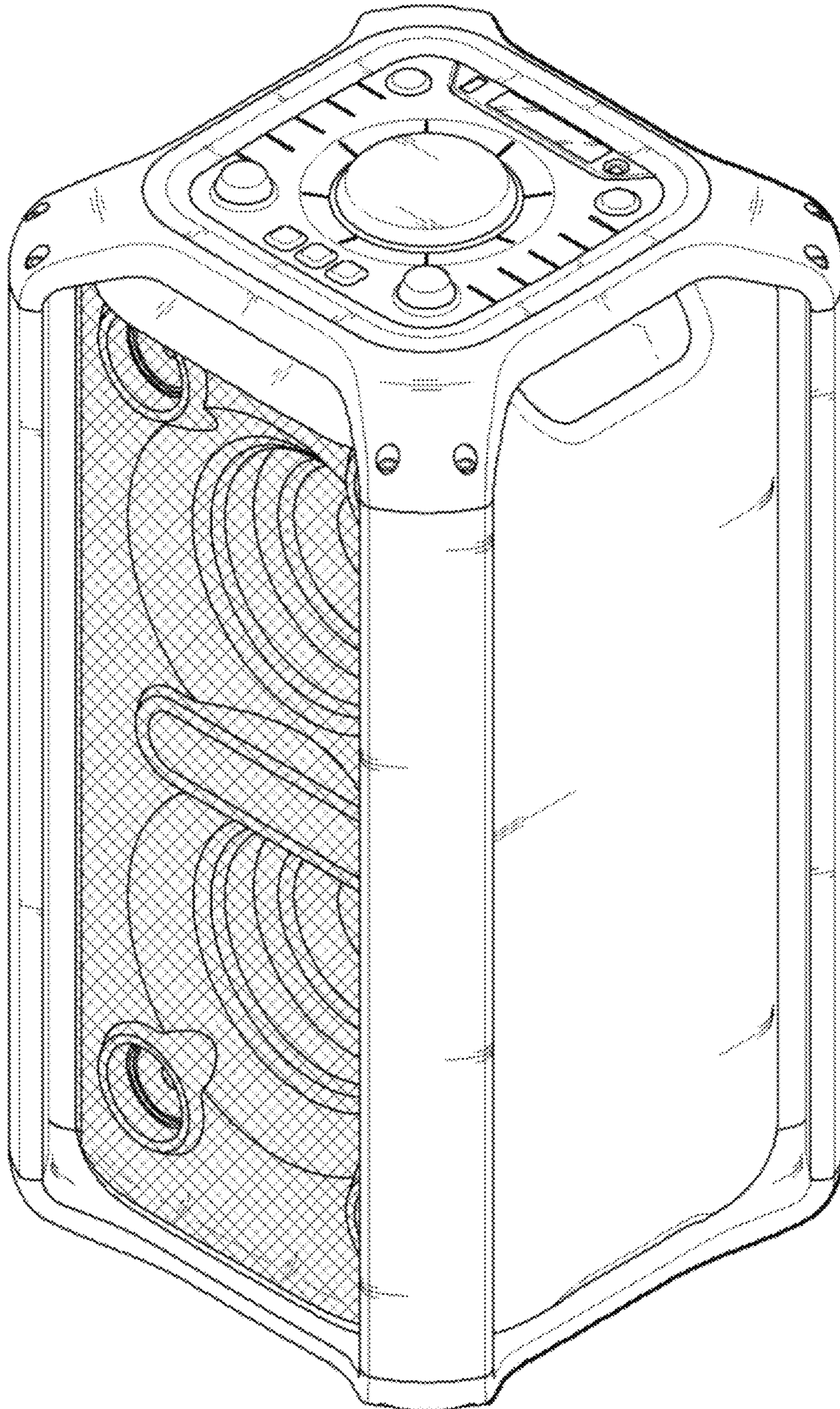
References Cited

U.S. PATENT DOCUMENTS

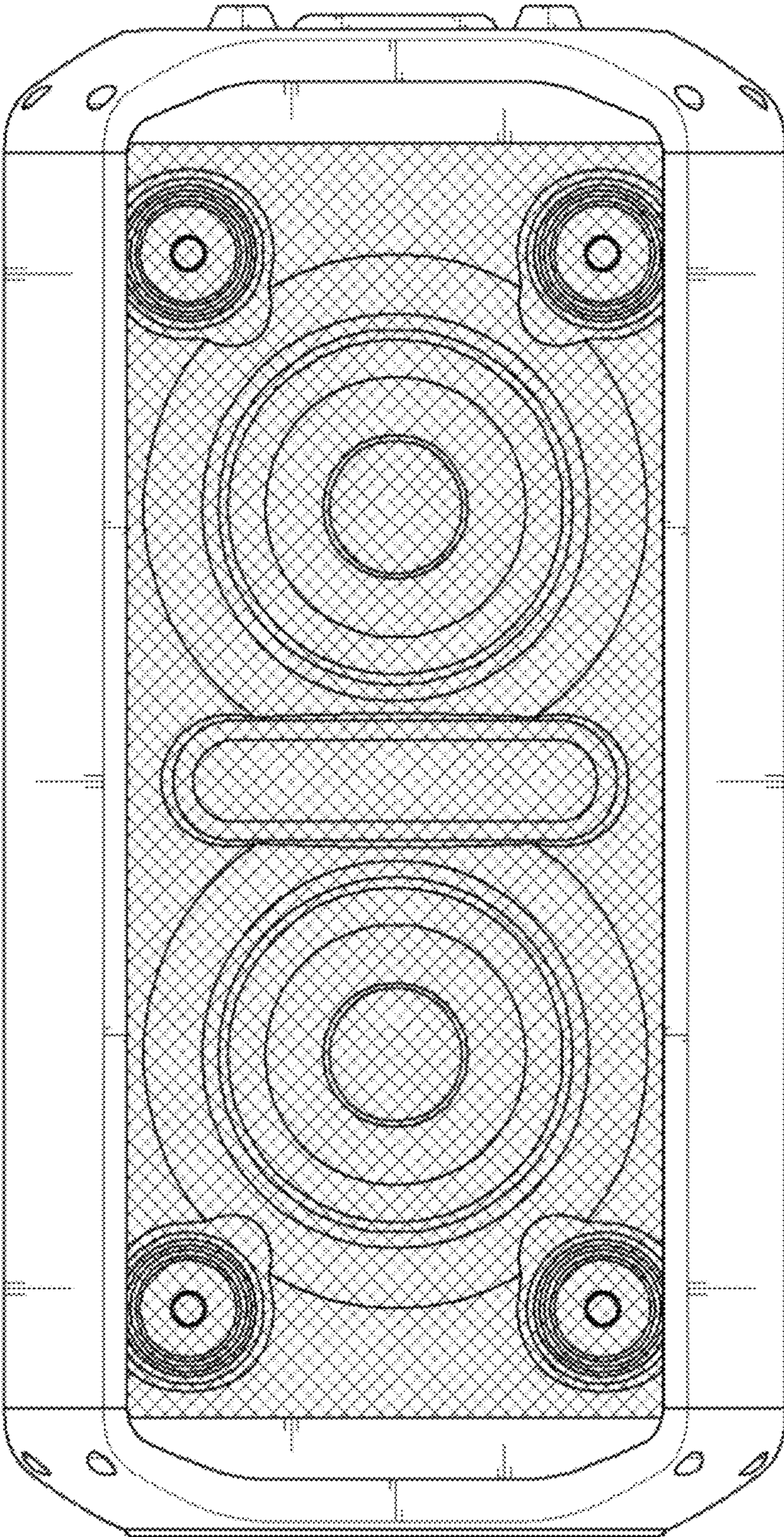
D807,320 S *	1/2018	Wong	D14/204
D822,634 S *	7/2018	Zaihui	D14/204
D848,971 S *	5/2019	Wang	D14/204
D848,975 S *	5/2019	Kong	D14/215

* cited by examiner

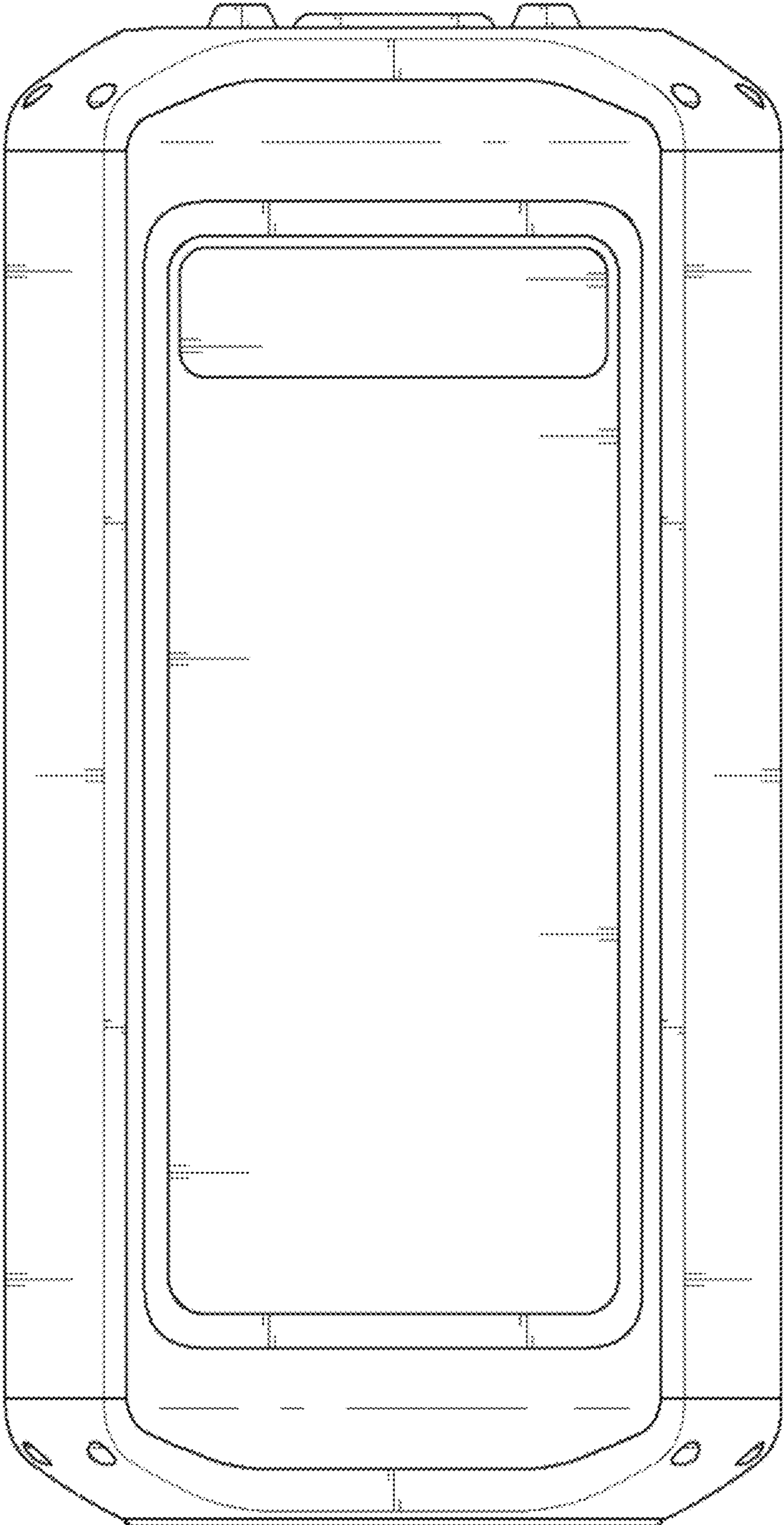
1.1



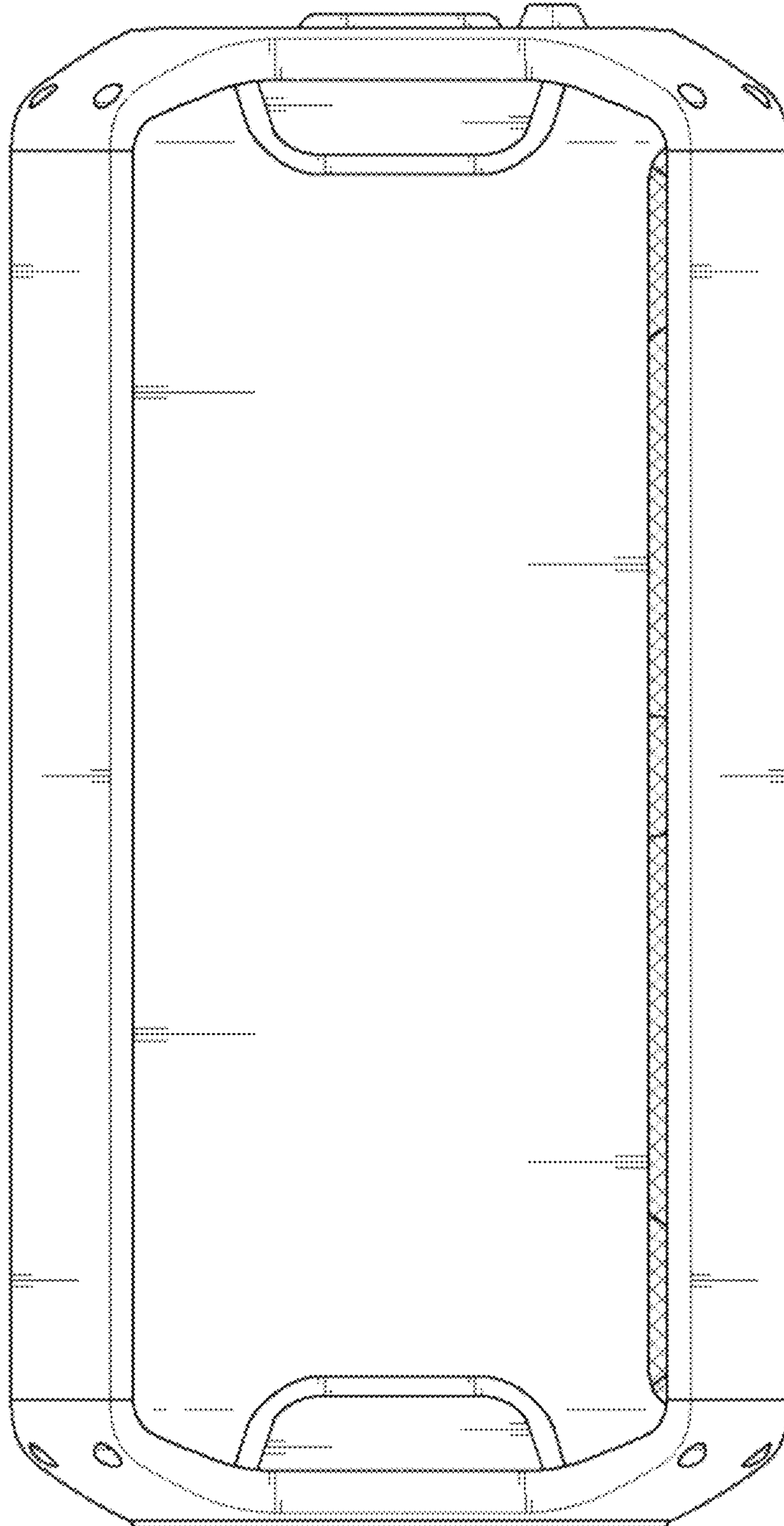
1.2



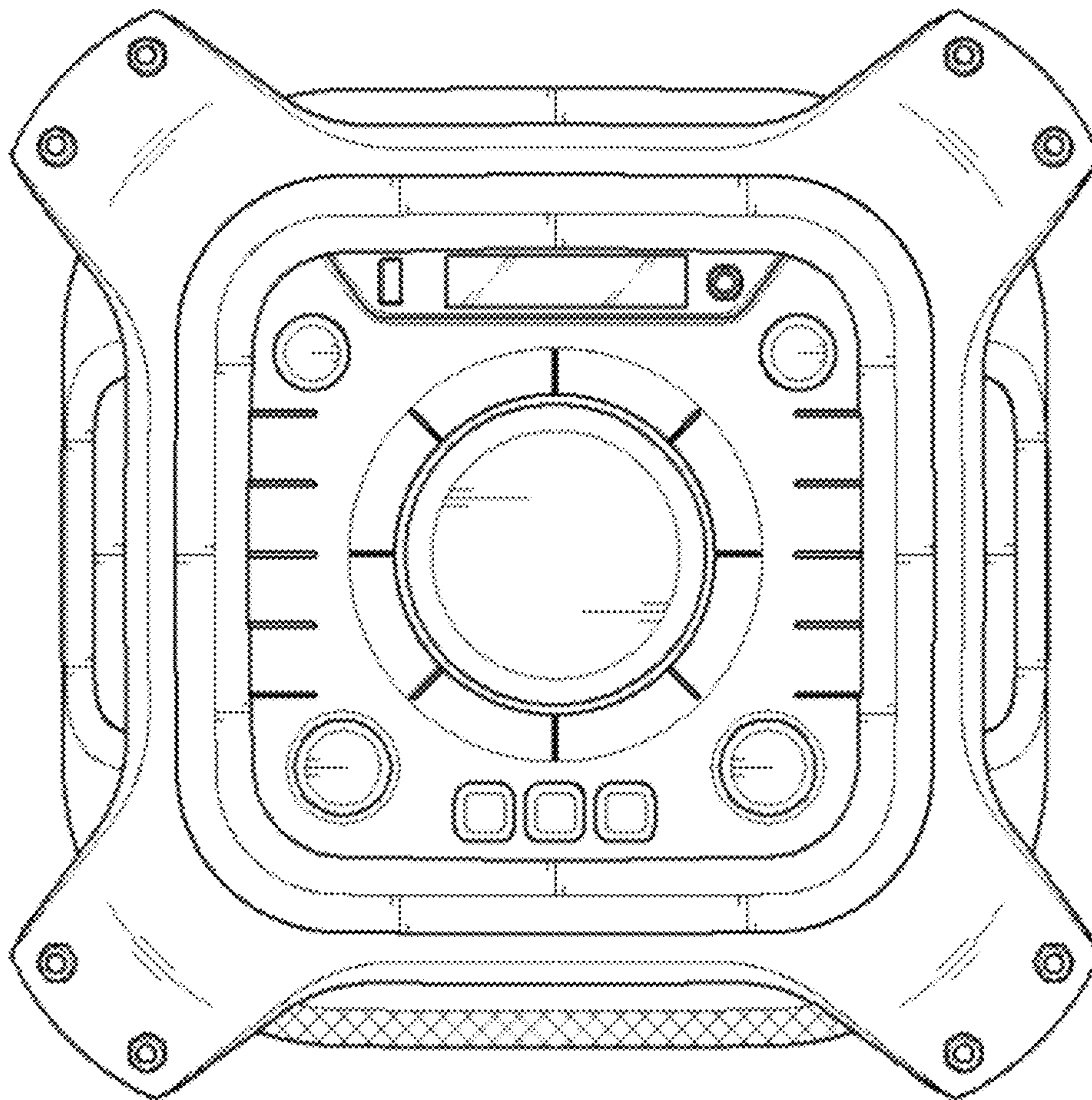
1.3



1.4



1.5



1.6

