



US00D863471S

(12) **United States Design Patent** (10) **Patent No.:** **US D863,471 S**  
**Endelman** (45) **Date of Patent:** **\*\* Oct. 15, 2019**

- (54) **CARRIAGE SIT BOX FOR REFORMER EXERCISE APPARATUS**
- (71) Applicant: **Balanced Body, Inc.**, Sacramento, CA (US)
- (72) Inventor: **Ken Endelman**, Sacramento, CA (US)
- (73) Assignee: **BALANCED BODY, INC.**, Sacramento, CA (US)
- (\*\*) Term: **15 Years**
- (21) Appl. No.: **29/678,152**
- (22) Filed: **Jan. 25, 2019**

**Related U.S. Application Data**

- (62) Division of application No. 15/434,493, filed on Feb. 16, 2017, now Pat. No. 10,245,462.
- (51) **LOC (12) Cl.** ..... **21-02**
- (52) **U.S. Cl.**  
USPC ..... **D21/695**
- (58) **Field of Classification Search**  
USPC ..... D21/668, 688, 671, 686, 662, 689, 687, D21/413, 412, 423, 692, 694, 698, 760, D21/765, 766, 769, 803; 482/70, 79, 71, 482/132, 34, 146, 142, 93, 105, 110, 121, 482/123, 126, 130, 139, 141, 147, 148, 482/51, 52, 77; 472/135, 110, 14, 218, 472/269, 409, 451, 452; 600/595; 473/451, 452, 269, 409; D6/349, 353, D6/406.3, 582, 592, 685, 707.22; 280/205, 87.042, 609; D14/413, 419  
CPC ..... A63B 22/001; A63B 21/4035; A63B 22/0664; A63B 21/0552; A63B 21/225; A63B 2208/0204; A63B 21/0442  
See application file for complete search history.

- (56) **References Cited**  
U.S. PATENT DOCUMENTS  
D330,057 S \* 10/1992 Saunders ..... D21/671  
D330,234 S \* 10/1992 Saunders ..... D21/671  
D330,235 S \* 10/1992 Traetta ..... D21/671  
5,154,678 A \* 10/1992 Adamczyk ..... A63B 23/0458  
108/90  
D337,362 S \* 7/1993 Goldstein ..... D21/671  
5,226,865 A \* 7/1993 Chin ..... A63B 23/0458  
108/144.11  
D342,298 S \* 12/1993 Schnabel, Jr. .... D21/671  
(Continued)

**OTHER PUBLICATIONS**

Sitting Box by Balanced Body dated Aug. 18, 2017. Found online [May 24, 2019] <https://www.youtube.com/watch?v=VsZcVjosk0U>.\*

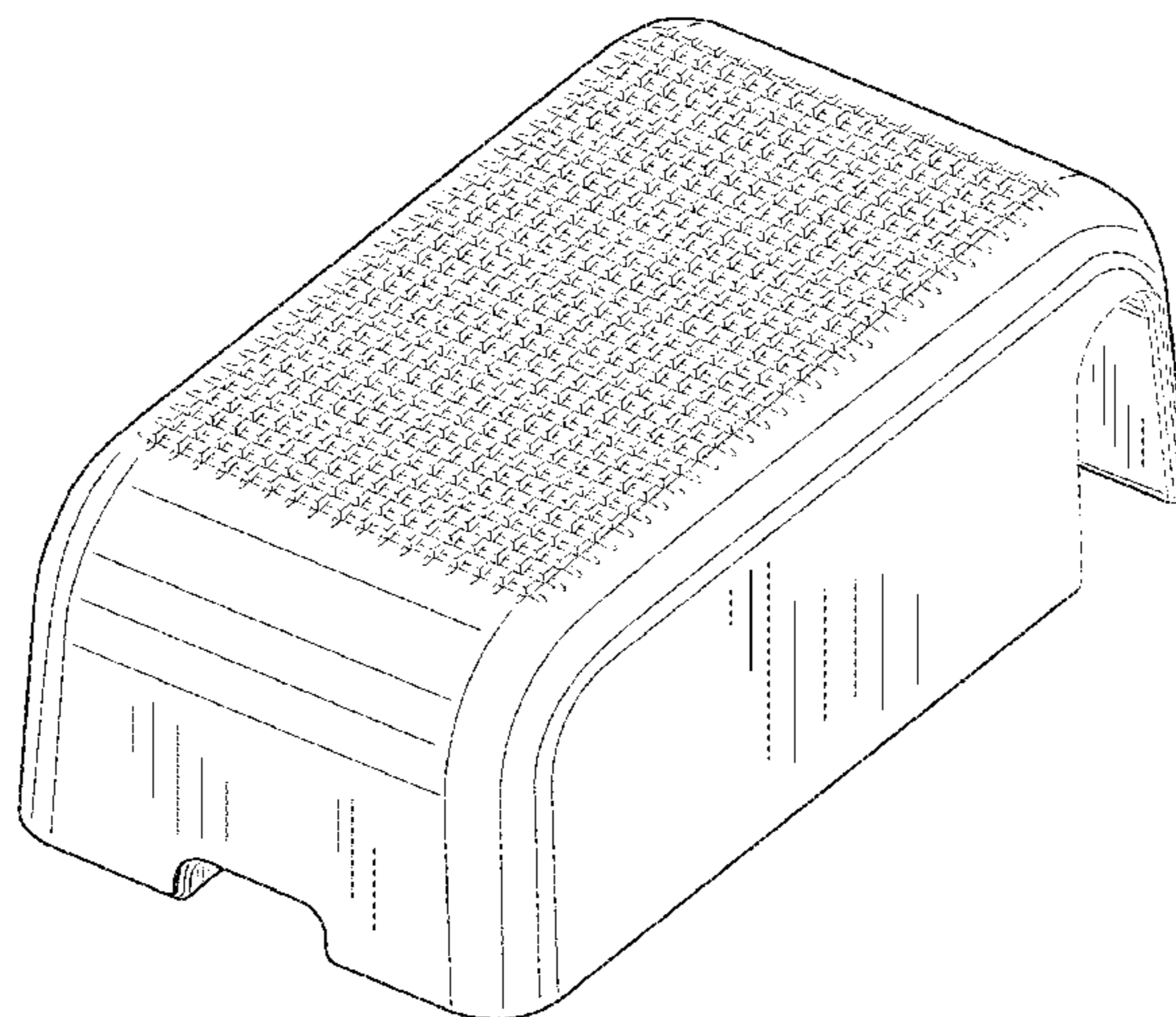
*Primary Examiner* — Ryan Harvey  
(74) *Attorney, Agent, or Firm* — Greenberg Traurig, LLP

(57) **CLAIM**  
The ornamental design for a carriage sit box for reformer exercise apparatus, as shown and described herein.

**DESCRIPTION**

FIG. 1 is an upper perspective view of my new carriage sit box design.  
FIG. 2 is a right side elevational view of my new carriage sit box design.  
FIG. 3 is a left side elevational view of my new carriage sit box design.  
FIG. 4 is a head end elevational view of my new carriage sit box design shown in FIG. 1.  
FIG. 5 is a foot end elevational view my new carriage sit box shown in FIG. 1.  
FIG. 6 is a top plan view of my new carriage sit box design; and,  
FIG. 7 is a bottom plan view of my new carriage sit box. The broken line showing of portions of the carriage sit box for reformer exercise apparatus forms no part of the claim.

**1 Claim, 4 Drawing Sheets**





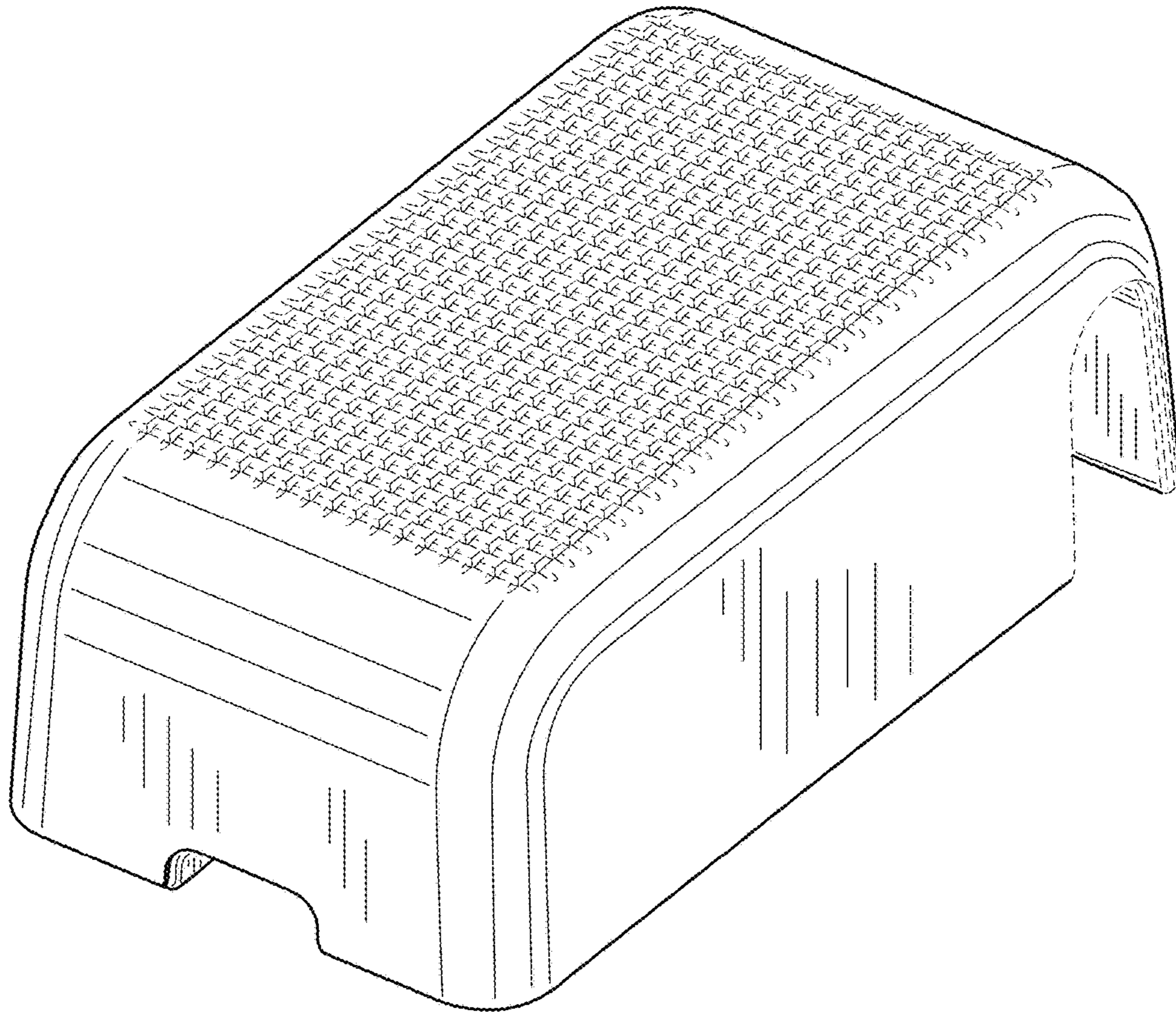


FIG.1

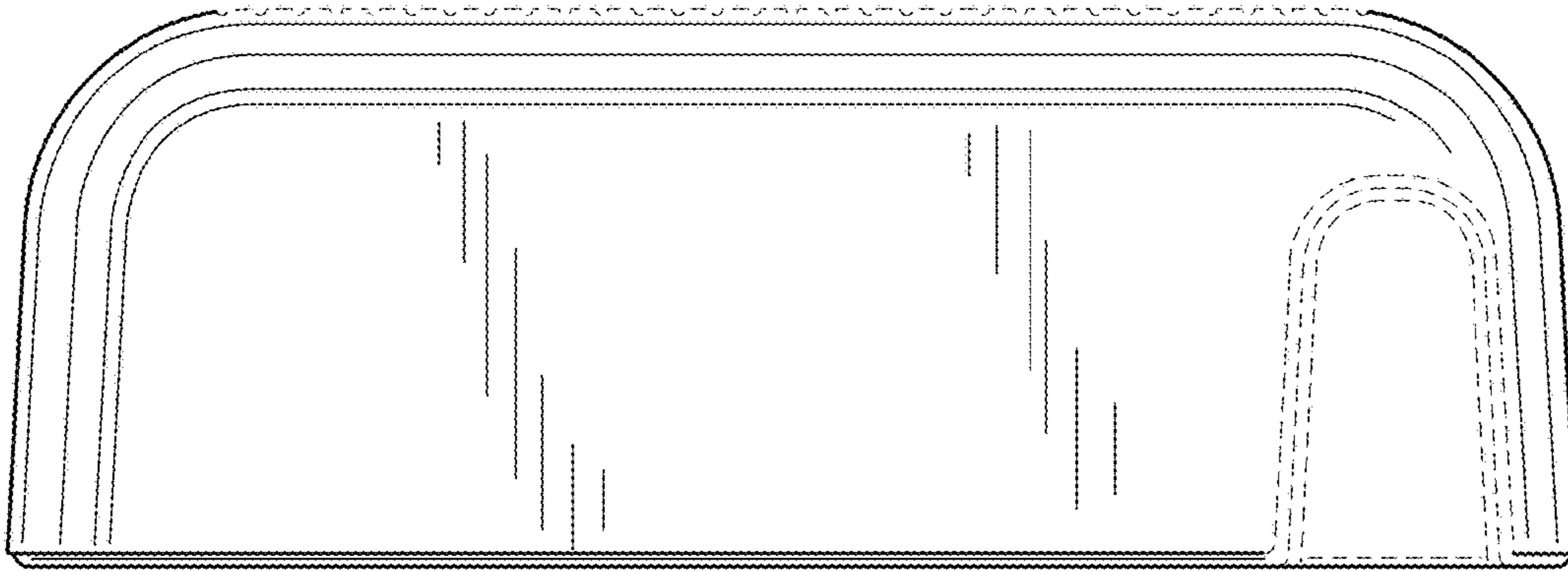


FIG.2

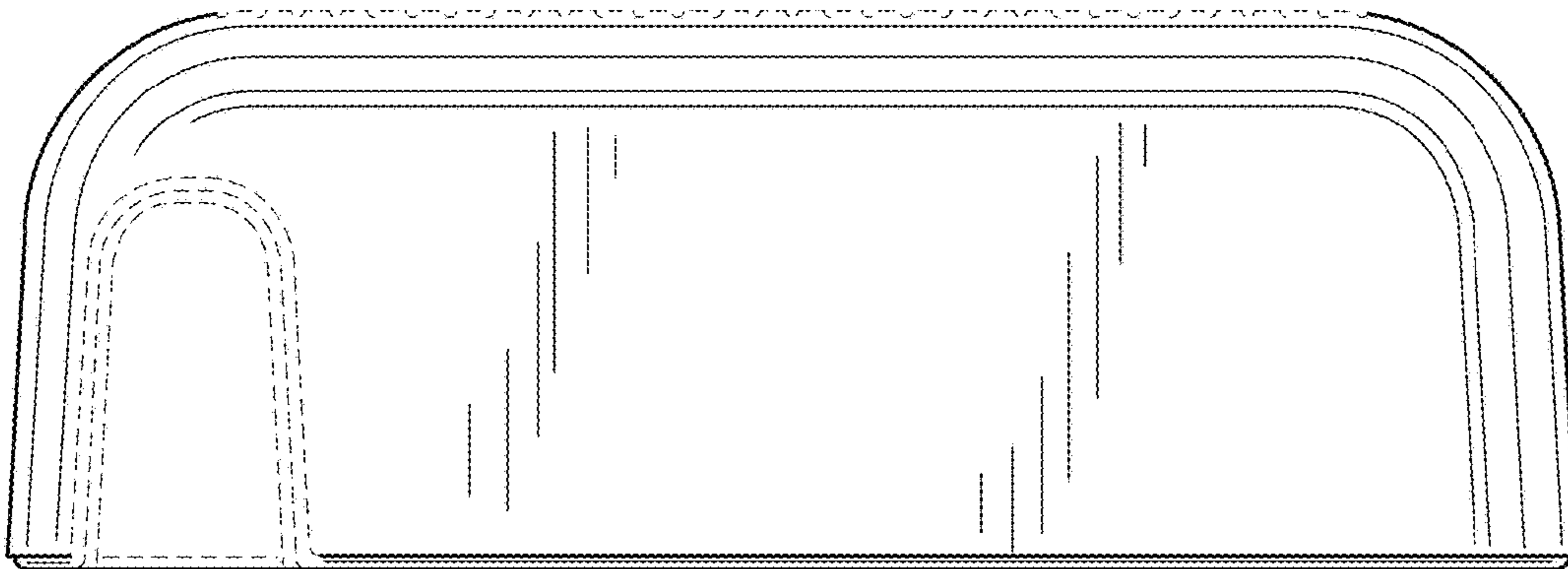


FIG.3

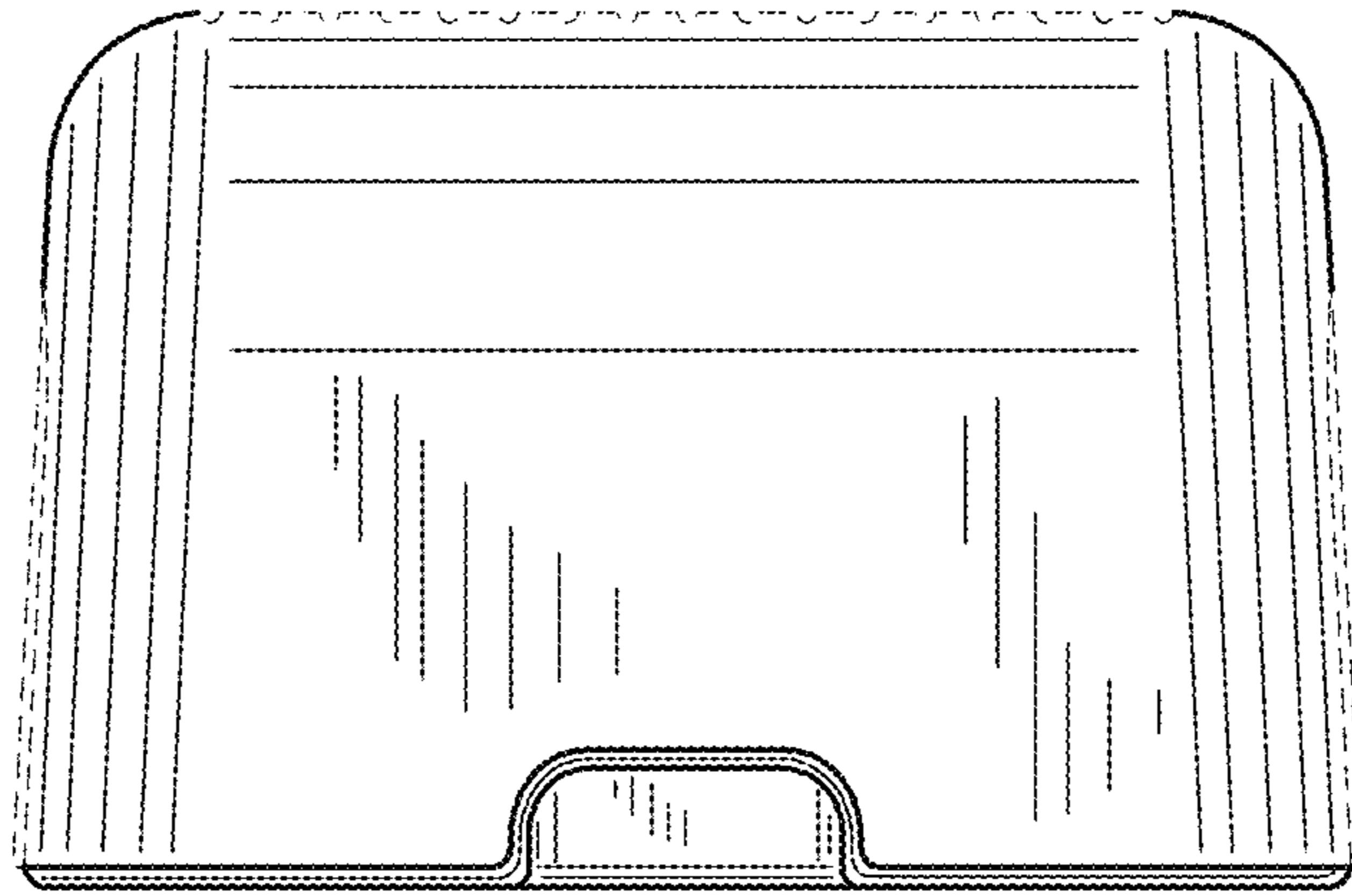


FIG. 4

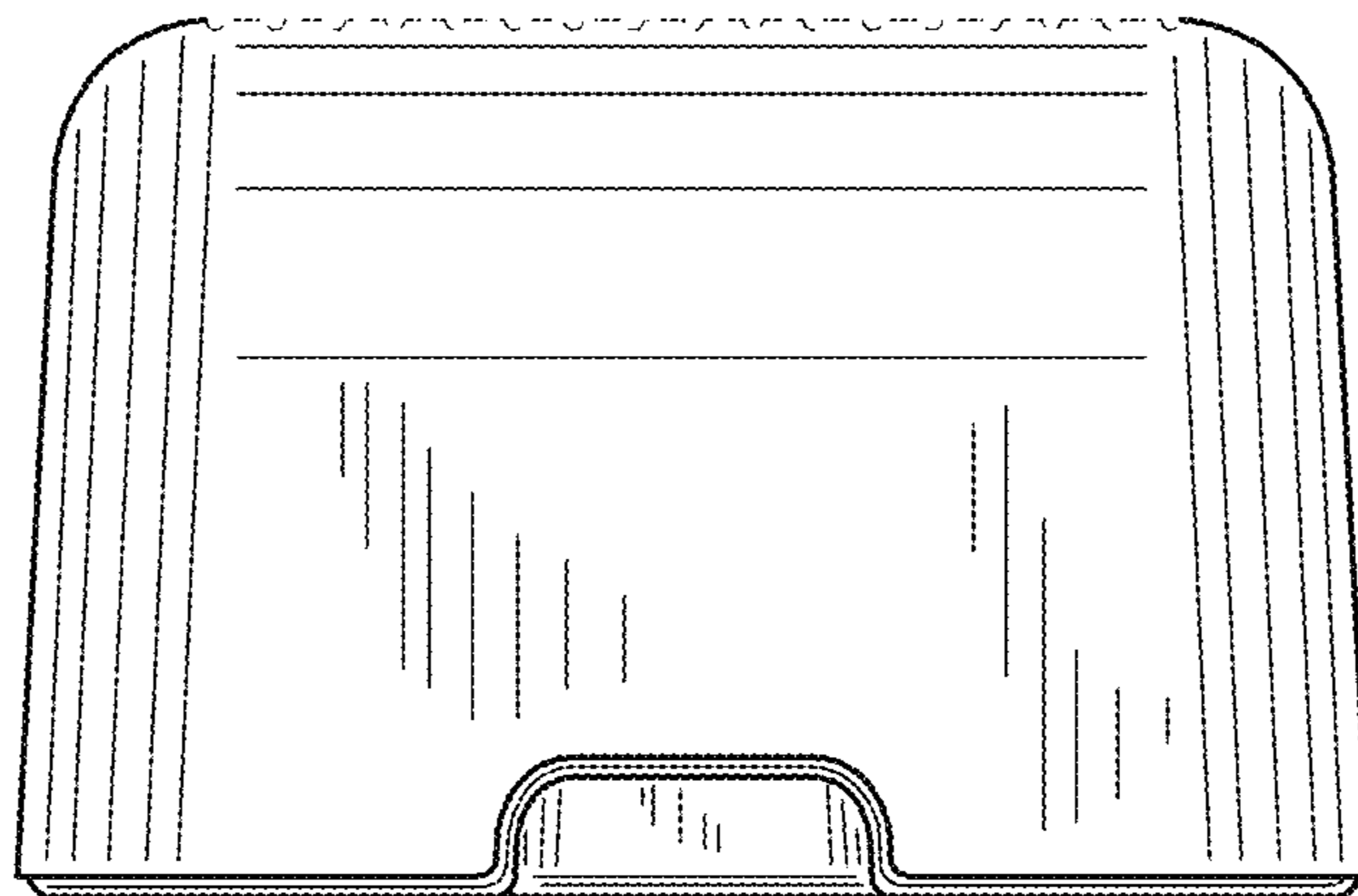


FIG. 5

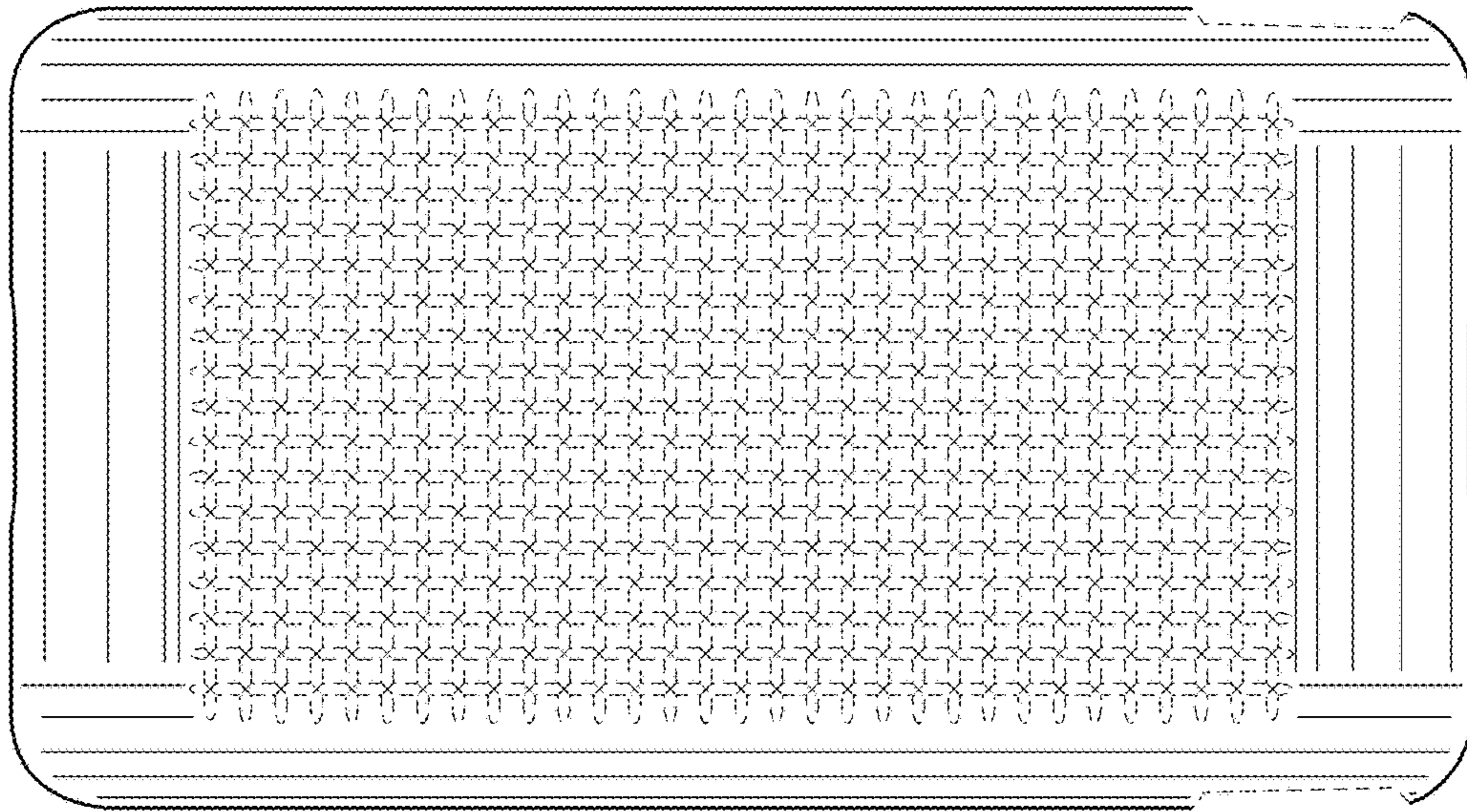


FIG. 6

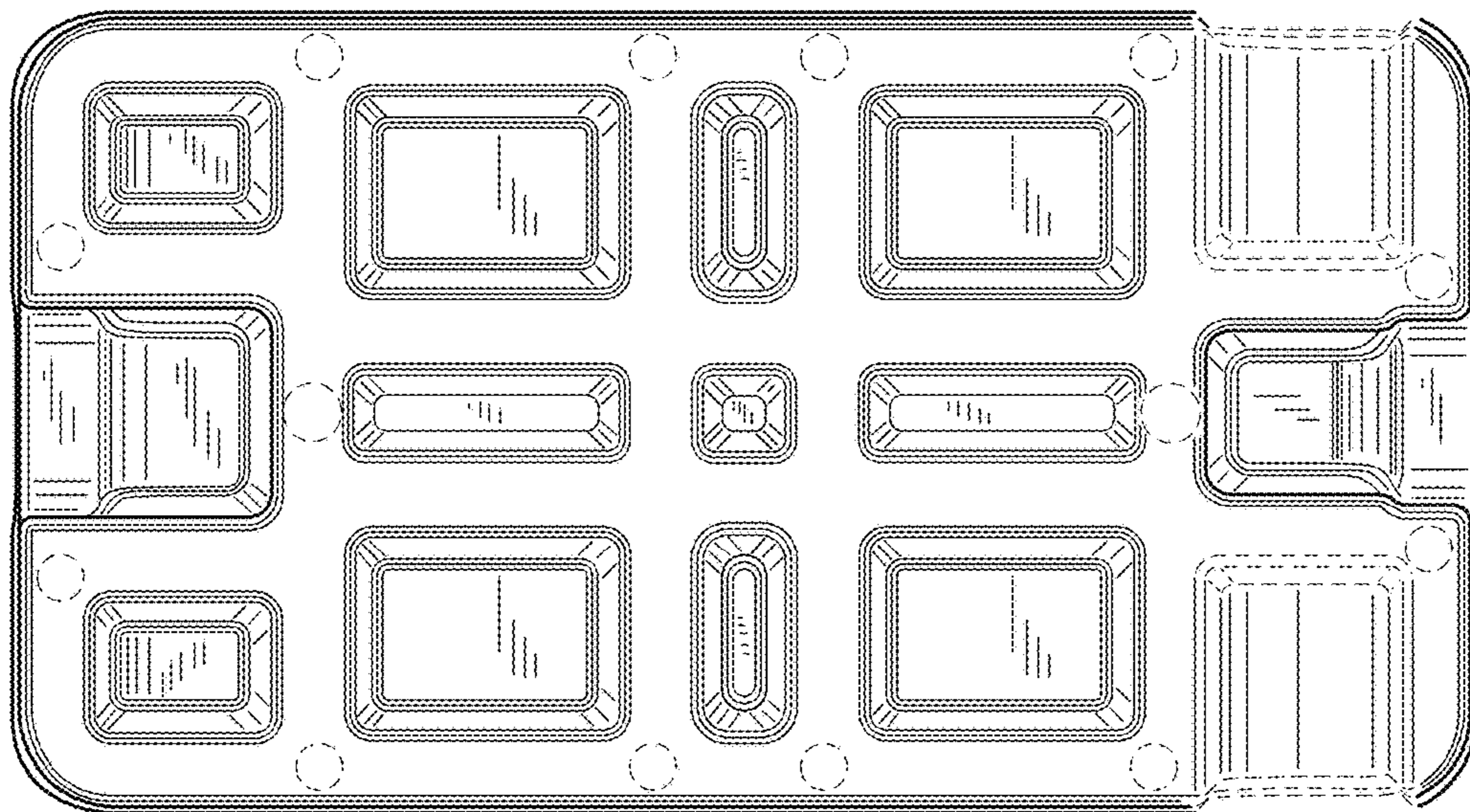


FIG. 7