



US00D609045S

(12) **United States Design Patent**
Bruno et al.

(10) **Patent No.:** **US D609,045 S**

(45) **Date of Patent:** **** *Feb. 2, 2010**

(54) **GRILL**

(75) Inventors: **Adrian A. Bruno**, Rolling Meadows, IL (US); **Charles Choi**, Chicago, IL (US); **Daniel S. Choi**, Mundelein, IL (US); **Leonard Zelek**, Chicago, IL (US)

(73) Assignee: **Weber-Stephen Products Co.**, Palatine, IL (US)

(**) Term: **14 Years**

(21) Appl. No.: **29/303,285**

(22) Filed: **Feb. 5, 2008**

Related U.S. Application Data

(62) Division of application No. 29/256,991, filed on Mar. 27, 2006, now abandoned.

(51) **LOC (9) Cl.** **07-02**

(52) **U.S. Cl.** **D7/334**

(58) **Field of Classification Search** D7/332-337, D7/402-405; 126/25 R, 25 A, 25 AA, 41 R, 126/40, 50, 37 R, 304 R, 268; 99/481-482, 99/419, 445, 450; 248/128-129; 312/249.8, 312/249.13, 351.2

See application file for complete search history.

(56) **References Cited**

U.S. PATENT DOCUMENTS

D471,057 S * 3/2003 Chung D7/334
D503,065 S * 3/2005 Pai D7/334

D521,308 S * 5/2006 Tseng D7/334
D528,349 S * 9/2006 Chung D7/334
D529,330 S * 10/2006 Chung D7/334
D533,011 S * 12/2006 Pai D7/334
D535,139 S * 1/2007 Lutz D7/334
D535,846 S * 1/2007 Debord et al. D7/334
D536,918 S * 2/2007 Wood D7/334
2006/0081236 A1 * 4/2006 Johnston et al. 126/25 R

* cited by examiner

Primary Examiner—Ruth McInroy

(74) *Attorney, Agent, or Firm*—David I. Roche; Daniel A. Tallitsch; Baker & McKenzie LLP

(57) **CLAIM**

We claim the ornamental design for a grill, as shown and described.

DESCRIPTION

FIG. 1 is a perspective view of a grill embodying the invention;

FIG. 2 is a front view thereof;

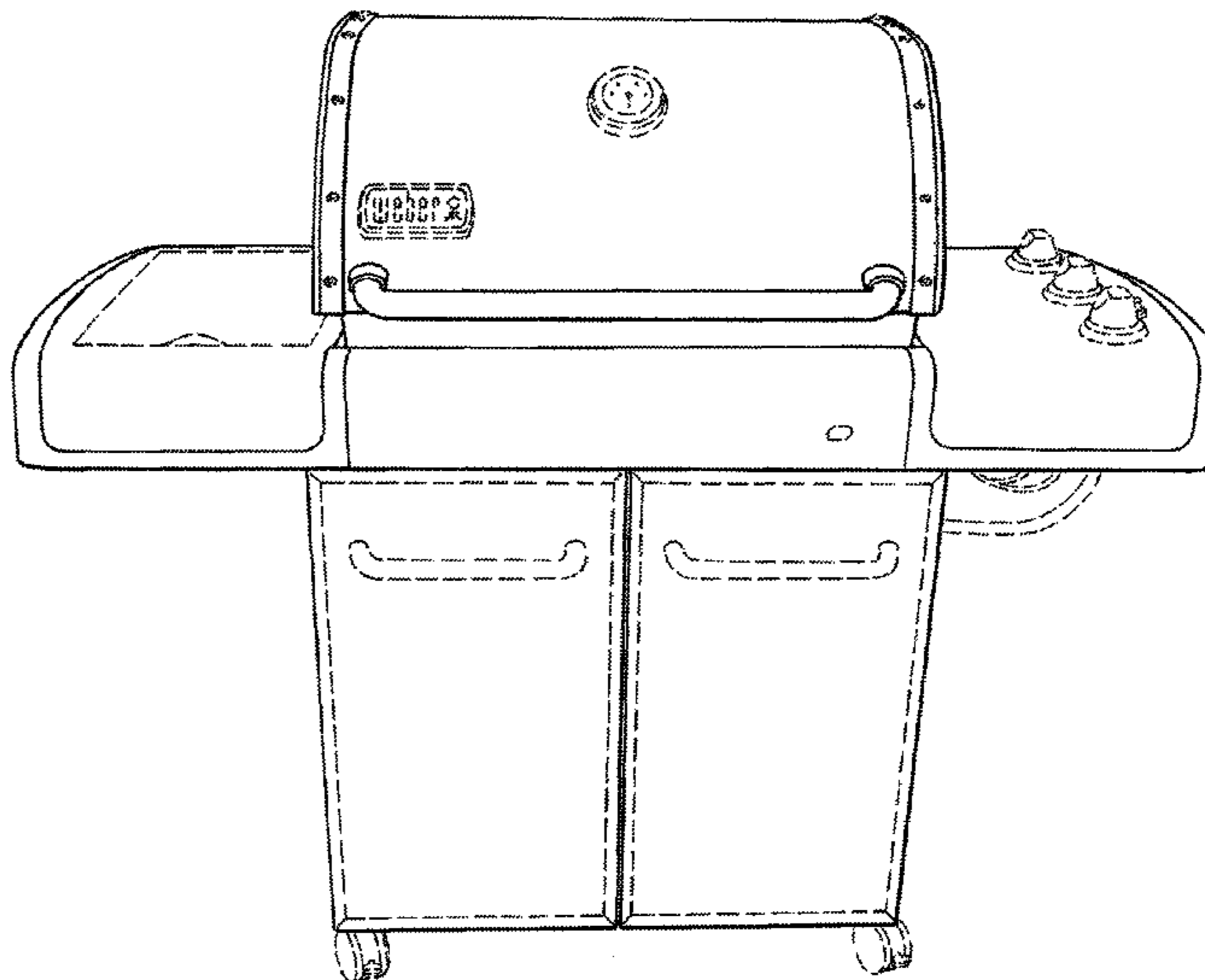
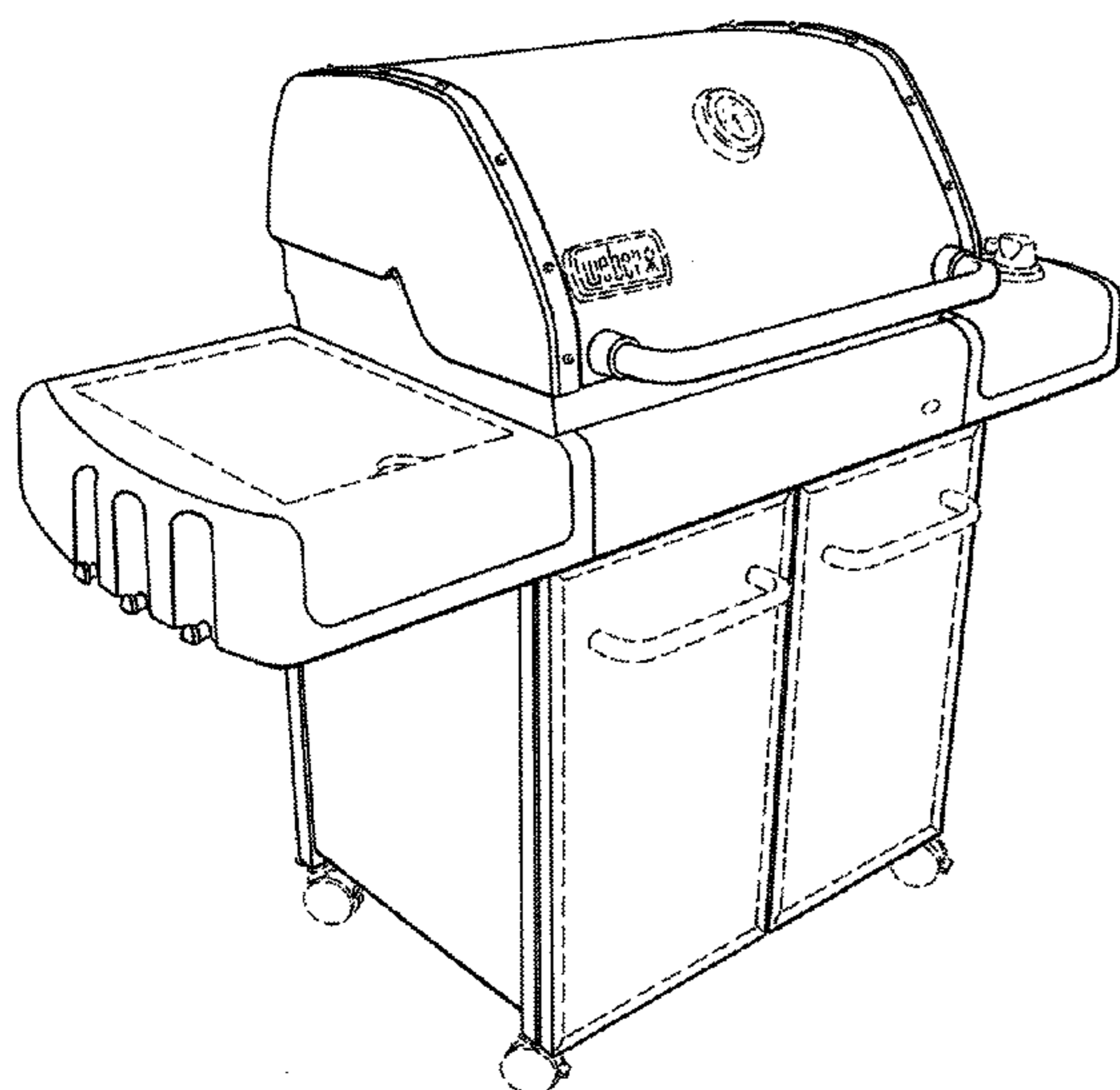
FIG. 3 is a rear view thereof;

FIG. 4 is left side view thereof; and,

FIG. 5 is a right side view thereof.

The details shown in broken lines form no part of the claimed design.

1 Claim, 4 Drawing Sheets



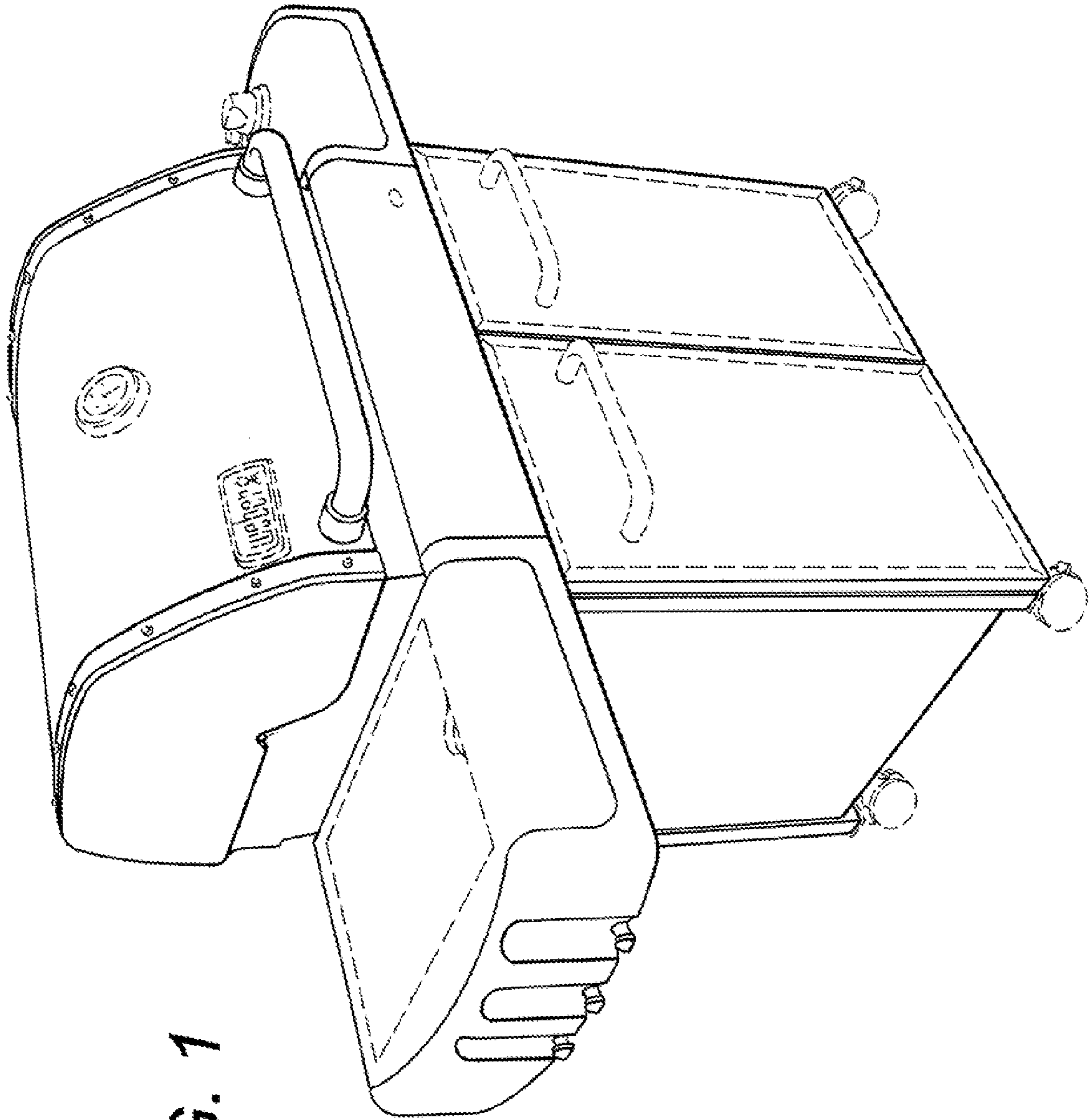


FIG. 1

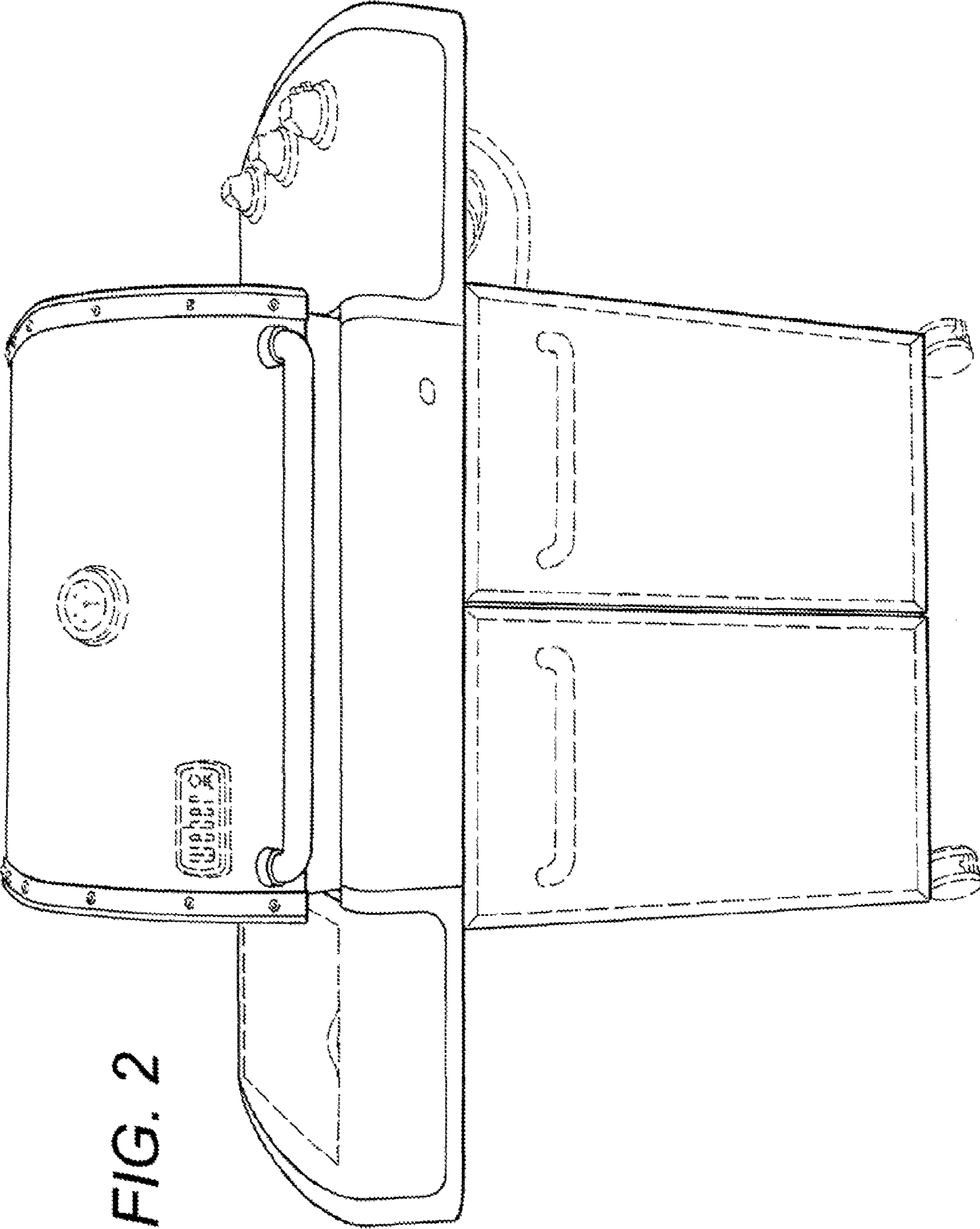


FIG. 2

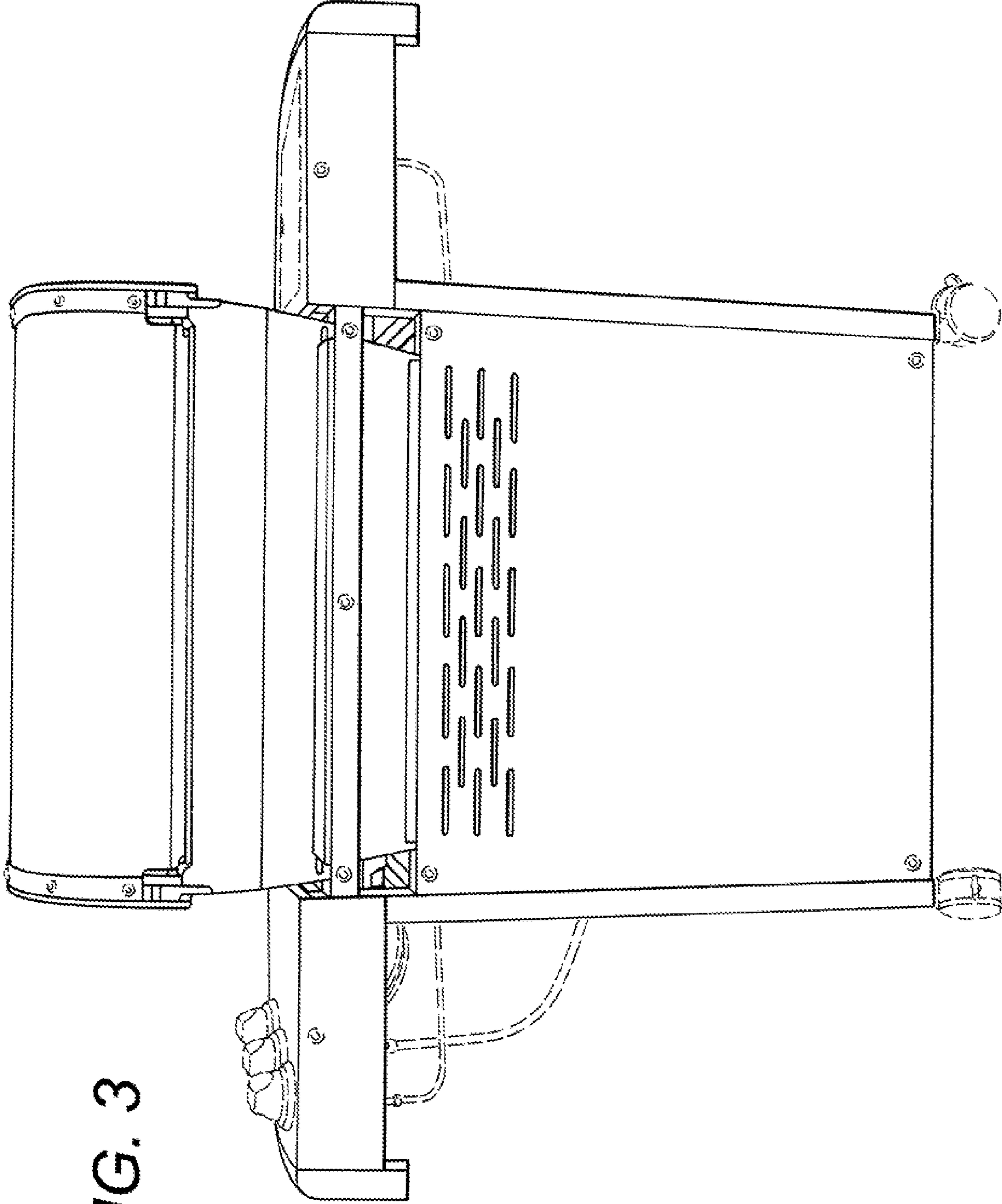


FIG. 3

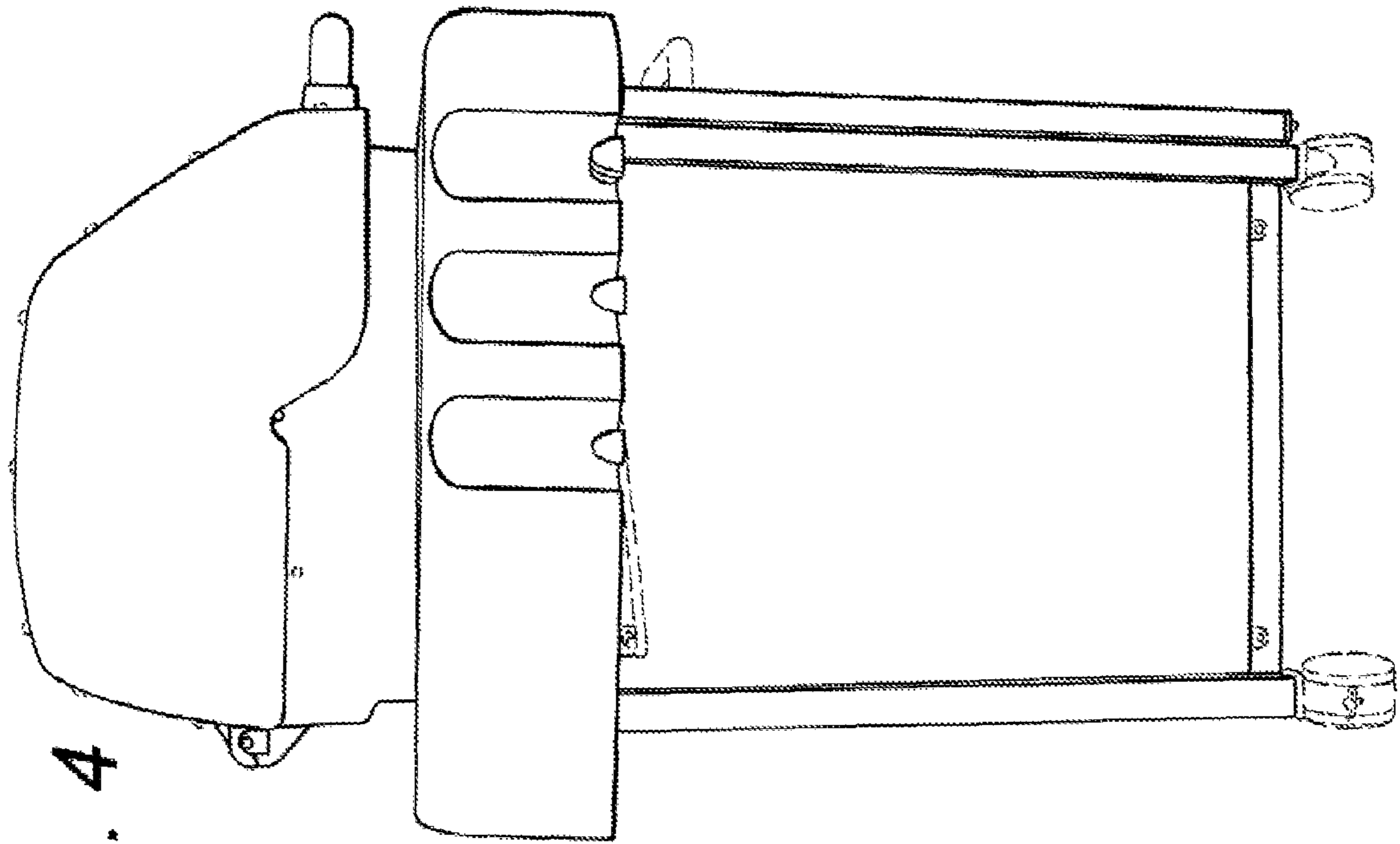


FIG. 4

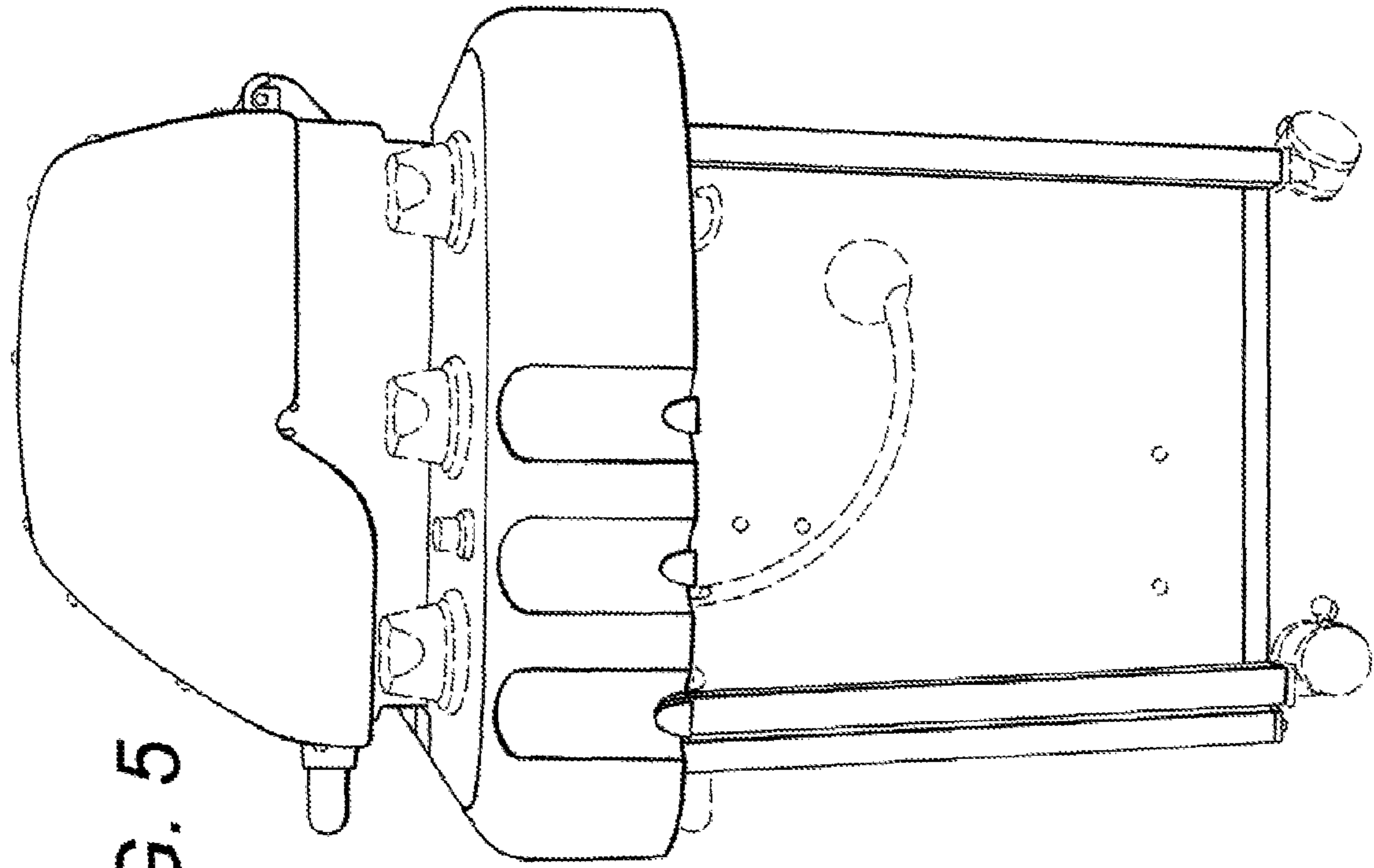


FIG. 5